

Service Manual

Pioneer
TOYOTA

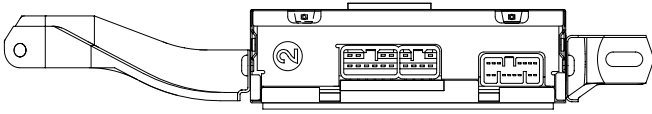
ORDER NO.
CRT2717

LEXUS ES300 **AUDIO SYSTEM** **AMPLIFIER ASSY**

VEHICLE	DESTINATION	PRODUCED AFTER	TOYOTA PART No.	ID No.	PIONEER MODEL No.
LEXUS ES300	U.S.A., CANADA	July 2001	86100-33150	—	GM-8317ZT/UC
LEXUS ES300	U.S.A., CANADA	July 2001	86280-33140	—	GM-8317ZT-91/UC

GM-8317ZT,8317ZT-91

GM-8317ZT/UC, GM-8317ZT-91/UC



● **Supplementary model is identical to the original except for the addition of following items.**

Description	Part No.
	GM-8317ZT-91/UC
Cover	CEG1045
Carton	CHA1866
Contain Box	CHL4511

CONTENTS

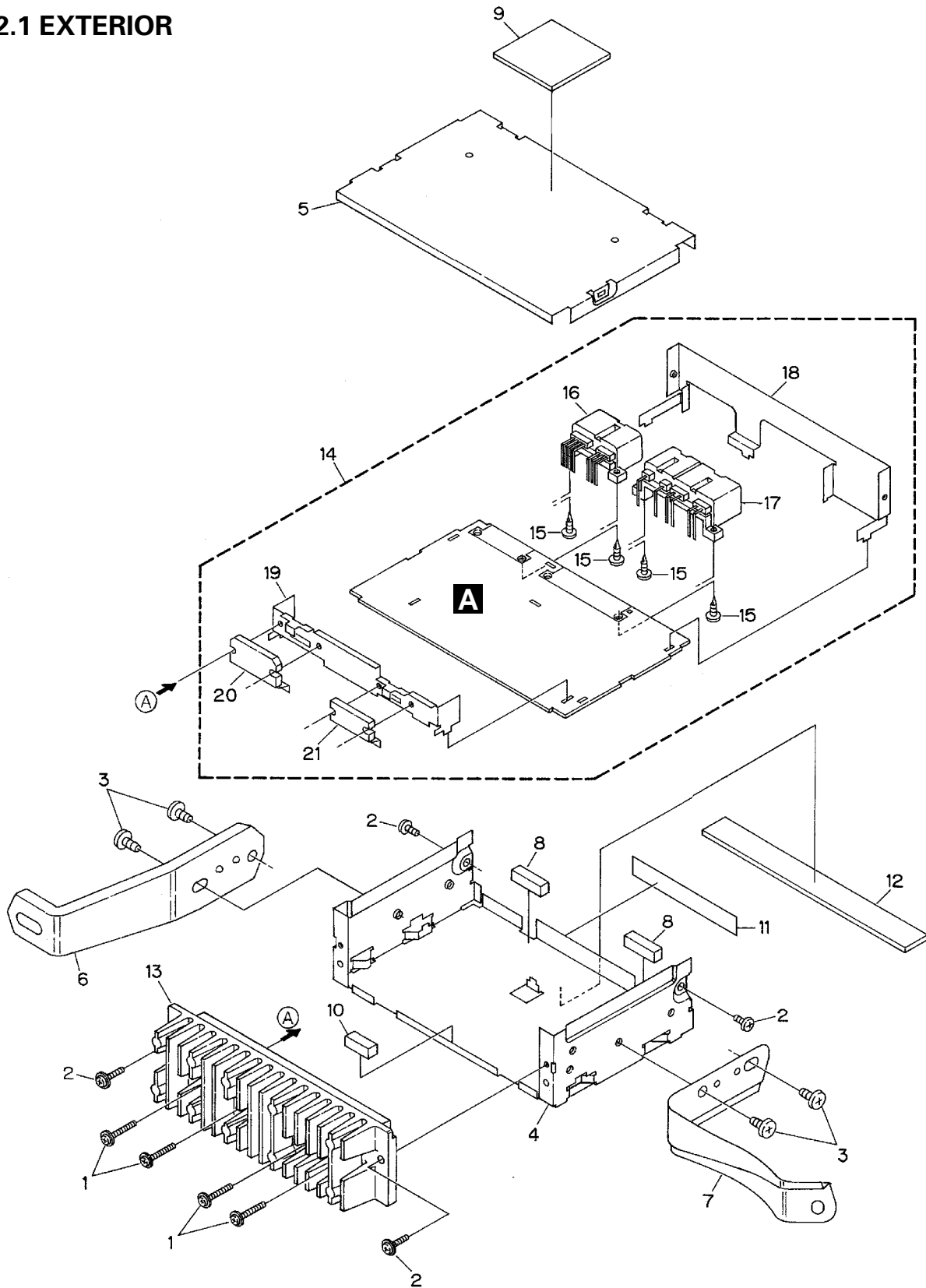
1. SAFETY INFORMATION	3	7. GENERAL INFORMATION	16
2. EXPLODED VIEWS AND PARTS LIST	4	7.1 CONNECTOR FUNCTION DESCRIPTION	16
3. SCHEMATIC DIAGRAM	6	7.2 IC.....	17
4. PCB CONNECTION DIAGRAM	8	7.3 SYSTEM BLOCK DIAGRAM	17
5. ELECTRICAL PARTS LIST	12	8. SPECIFICATIONS.....	18
6. ADJUSTMENT.....	16		

1. SAFETY INFORMATION

This service manual is intended for qualified service technicians; it is not meant for the casual do-it-yourselfer. Qualified technicians have the necessary test equipment and tools, and have been trained to properly and safely repair complex products such as those covered by this manual. Improperly performed repairs can adversely affect the safety and reliability of the product and may void the warranty. If you are not qualified to perform the repair of this product properly and safely, you should not risk trying to do so and refer the repair to a qualified service technician.

2. EXPLODED VIEWS AND PARTS LIST

2.1 EXTERIOR



NOTE:

- Parts marked by "*" are generally unavailable because they are not in our Master Spare Parts List.
- Screws adjacent to ∇ mark on the product are used for disassembly.

● EXTERIOR SECTION PARTS LIST

Mark No.	Description	Part No.	Mark No.	Description	Part No.
1	Screw	AMZ26P160FMC	16	Connector(CN101)	CKM1074
2	Screw	BMZ30P080FMC	17	Connector(CN102)	CKM1222
3	Screw(GM-8317ZT)	BMZ50P060FMC	18	Bracket	CNC6086
4	Chassis	CNA1761	19	Holder	CNC9321
5	Case	CNB1984	20	IC(IC101)	TDA7384
6	86285-33060(GM-8317ZT)	CNC9338	21	IC(IC102)	TA8254AH
7	86286-33040(GM-8317ZT)	CNC9344			
8	Cushion	CNM4944			
9	Cushion	CNM7203			
10	Cushion	CNM7280			
11	Seal	CNM7281			
12	Cushion	CNM7493			
13	Heat Sink	CNR1596			
14	Amp Assy	CWM7790			
15	Screw(M3x6)	CBA1393			

3. SCHEMATIC DIAGRAM

3.1 AMP ASSY

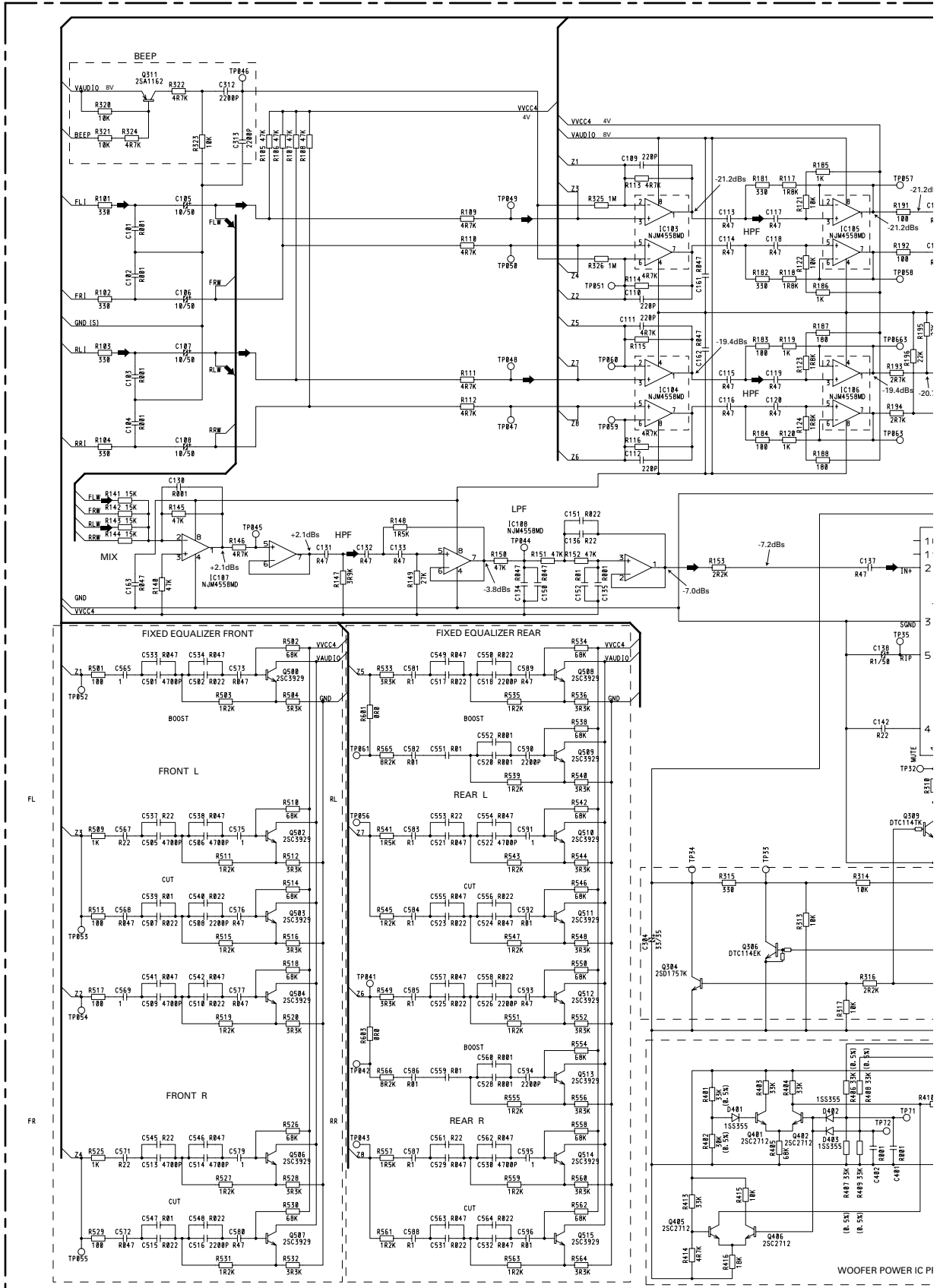
Note: When ordering service parts, be sure to refer to "EXPLODED VIEWS AND PARTS LIST" or "ELECTRICAL PARTS LIST".

A

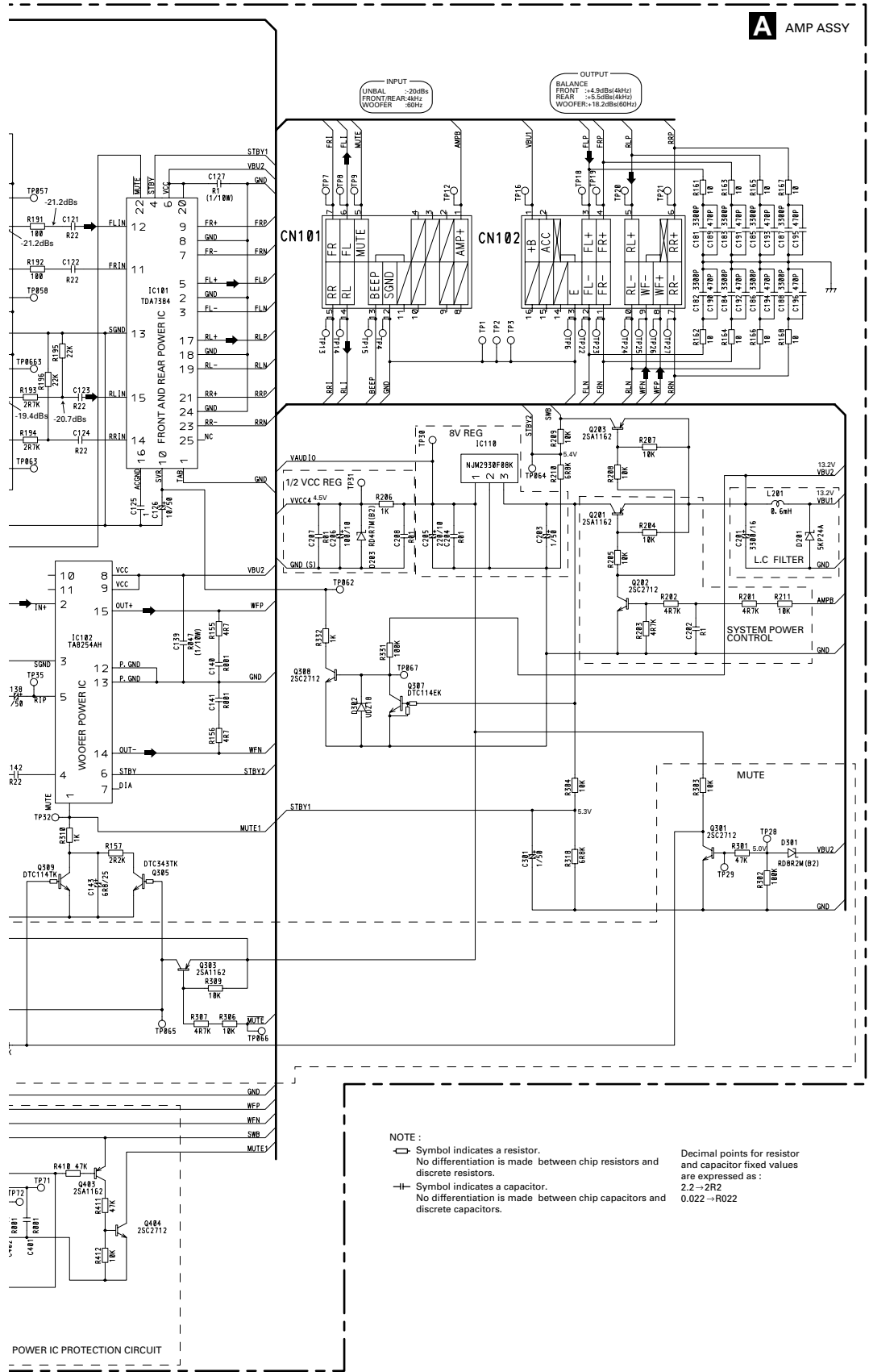
B

C

D



A AMP ASSY



NOTE :

- Symbol indicates a resistor.
No differentiation is made between chip resistors and discrete resistors.
- ⊥ Symbol indicates a capacitor.
No differentiation is made between chip capacitors and discrete capacitors.

Decimal points for resistor and capacitor fixed values are expressed as :
2.2 → 2R2
0.022 → R022

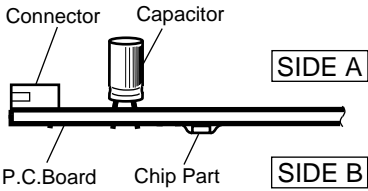
4. PCB CONNECTION DIAGRAM

4.1 AMP ASSY

NOTE FOR PCB DIAGRAMS

1. The parts mounted on this PCB include all necessary parts for several destination.
For further information for respective destinations, be sure to check with the schematic diagram.

2. Viewpoint of PCB diagrams



IC, Q

IC102
IC101

Q404 Q403

Q308

Q305 Q406

Q405

Q309

Q502 Q503 Q506 Q507

Q510 Q511 Q514 Q513

Q401 Q402 Q500 Q515

Q505 Q508 Q509 Q512

Q303 Q304 Q501 Q504

IC110 Q301

Q306

IC105 IC106 IC108

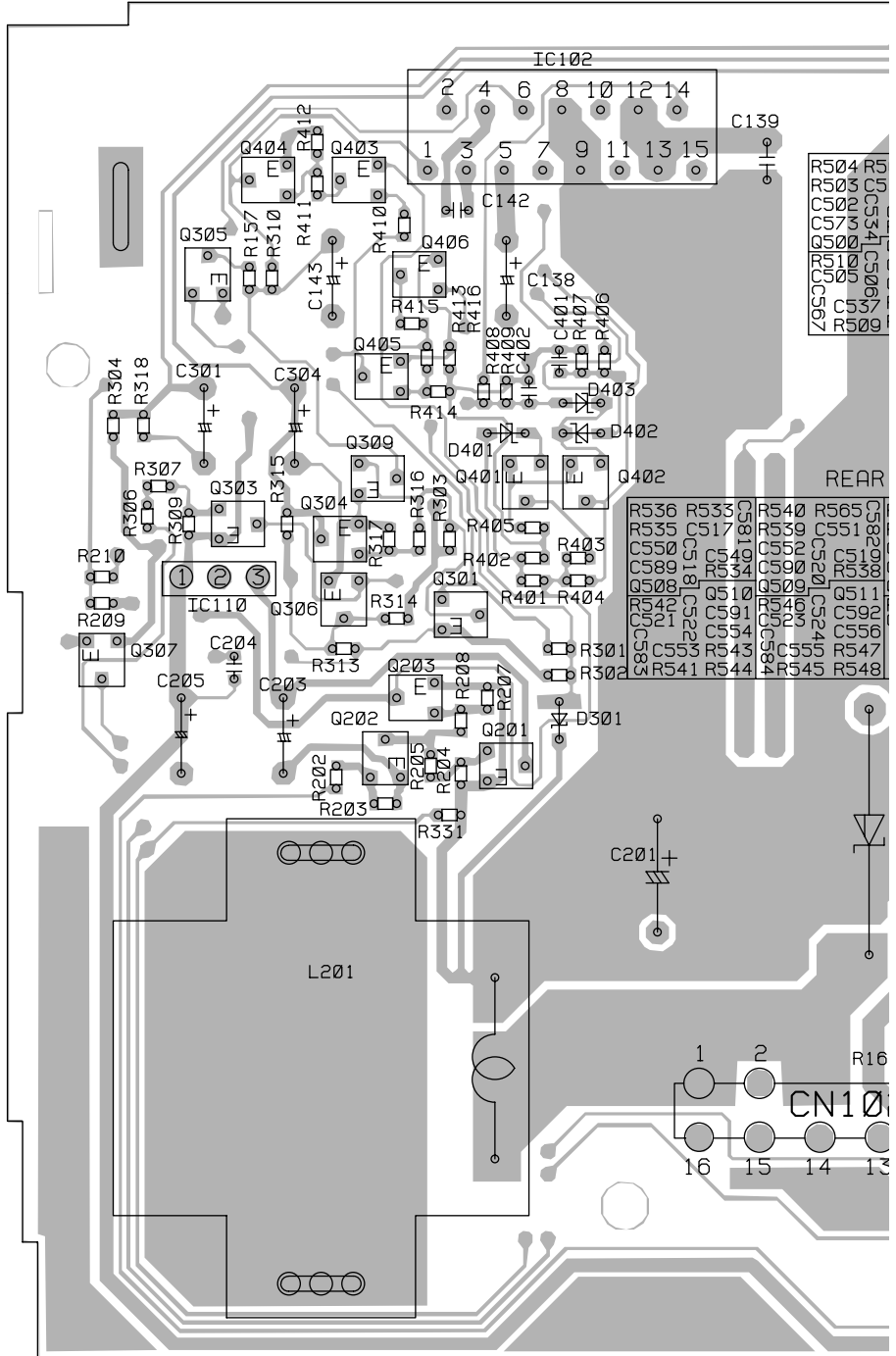
Q307 Q203

Q202 Q201

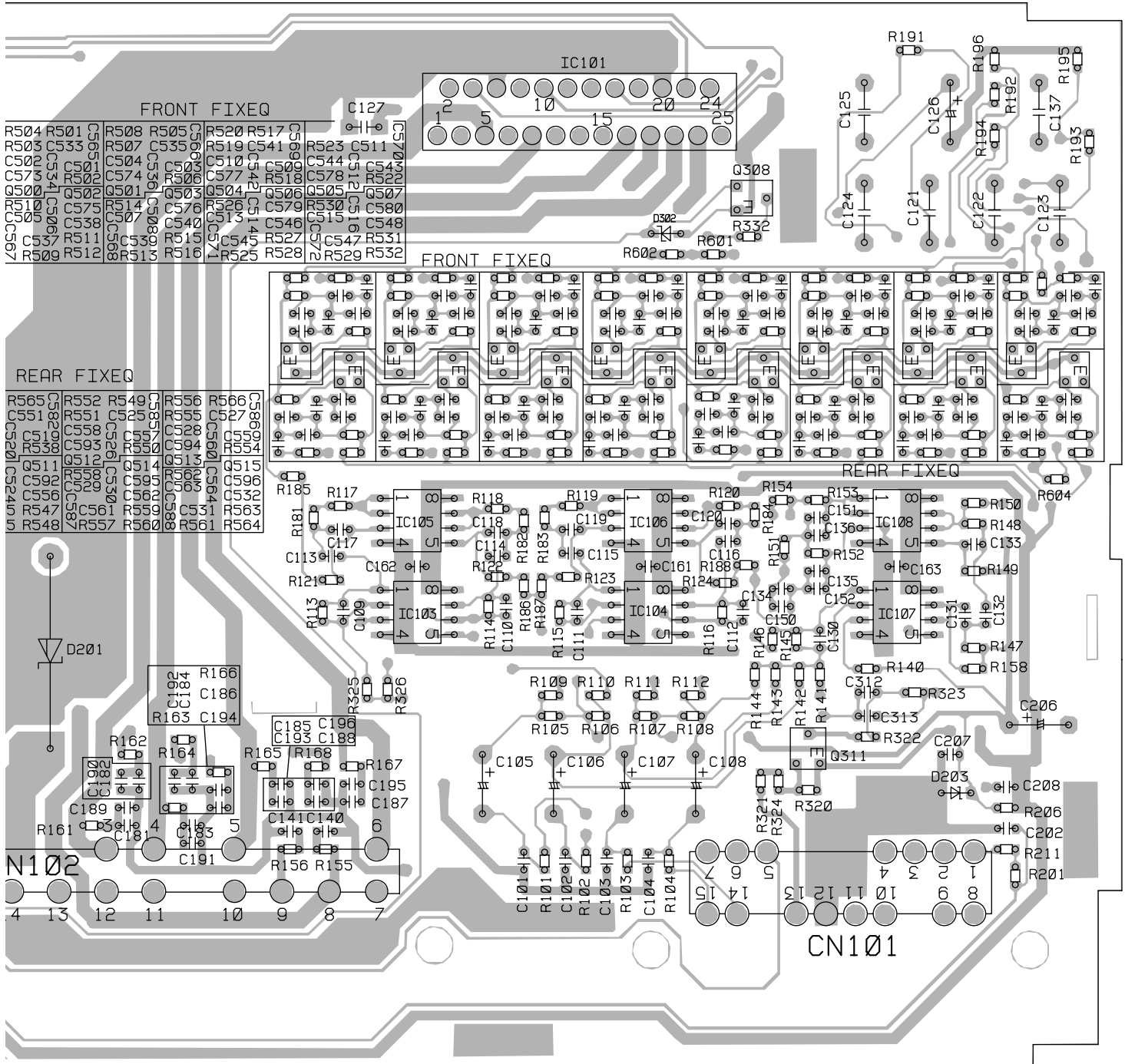
IC103 IC104 IC107

Q311

A AMP ASSY



SIDE A



A

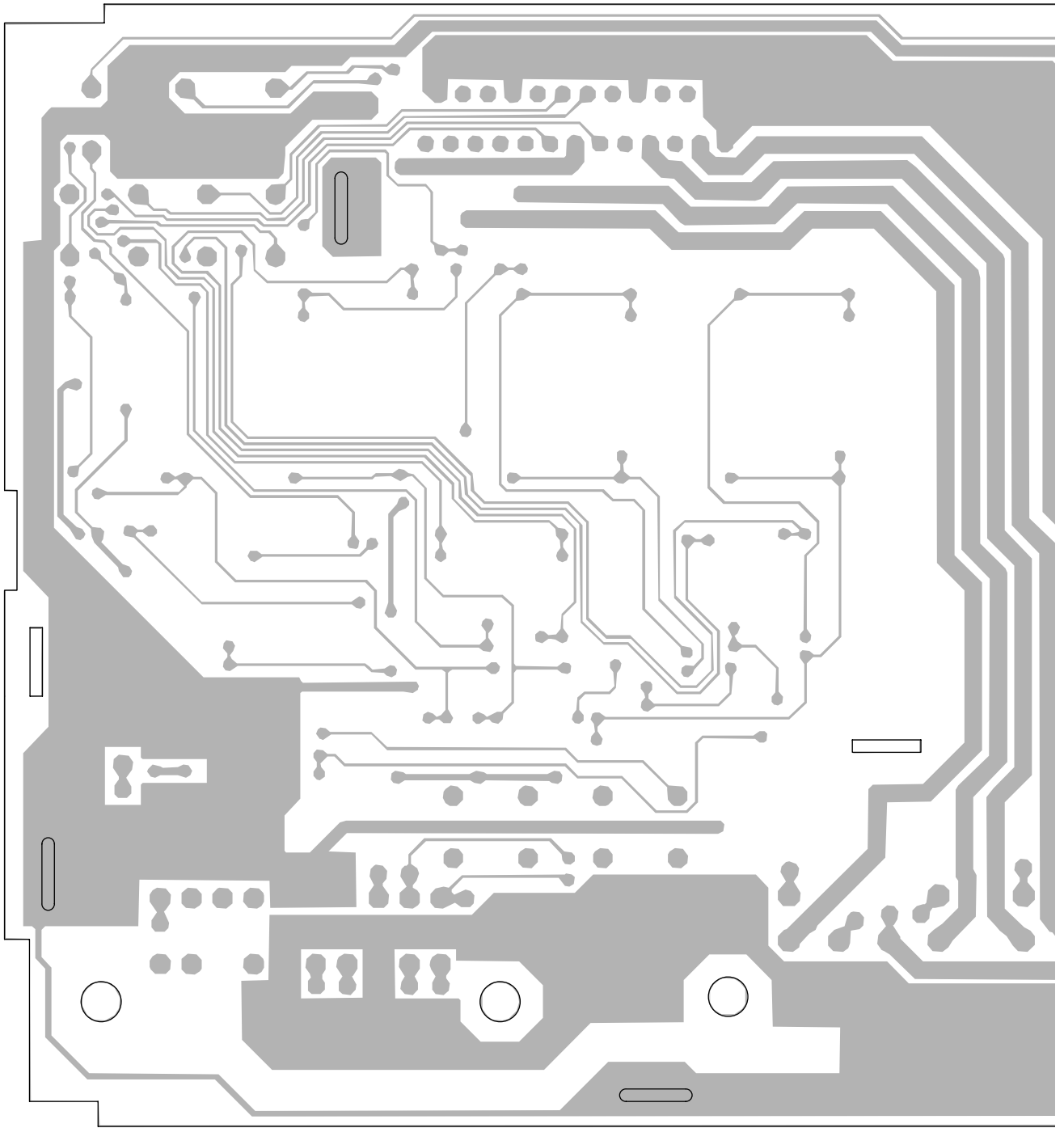
B

C

D

A

A AMP ASSY



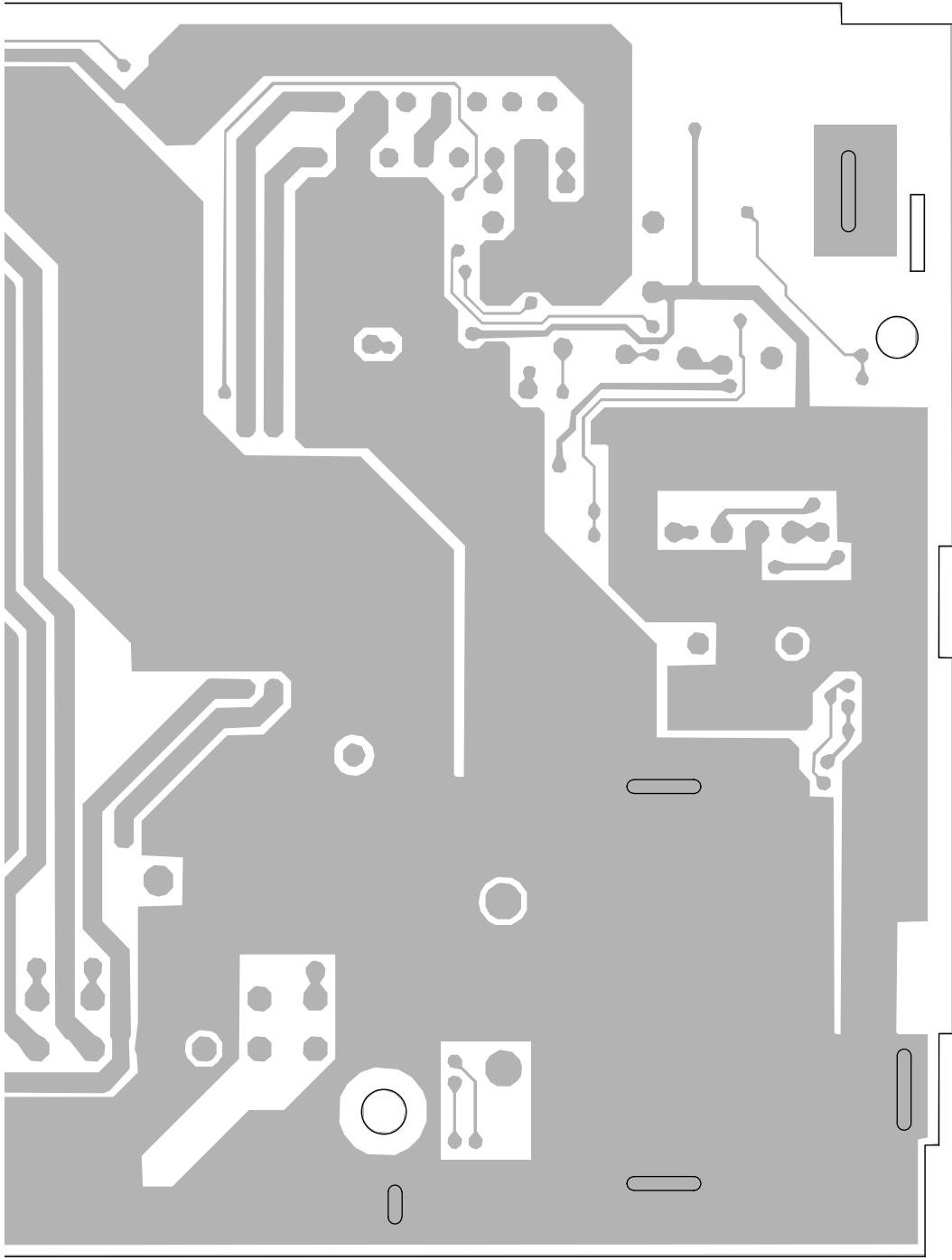
SIDE B

A

B

C

D



5. ELECTRICAL PARTS LIST

NOTE:

- Parts whose parts numbers are omitted are subject to being not supplied.
- The part numbers shown below indicate chip components.

Chip Resistor

RS1/○S○○○○J,RS1/○○S○○○J

Chip Capacitor (except for CQS.....)

CKS....., CCS....., CSZS.....

====Circuit Symbol and No.==Part Name Part No. =====Circuit Symbol and No.====Part Name Part No.

A Unit Number : CWM7790
Unit Name : Amp Assy

MISCELLANEOUS

IC	101	IC	TDA7384
IC	102	IC	TA8254AH
IC	103	IC	NJM4558MD
IC	104	IC	NJM4558MD
IC	105	IC	NJM4558MD
IC	106	IC	NJM4558MD
IC	107	IC	NJM4558MD
IC	108	IC	NJM4558MD
IC	110	IC	NJM2930F08K
Q	201	Transistor	2SA1162
Q	202	Chip Transistor	2SC2712
Q	203	Transistor	2SA1162
Q	301	Chip Transistor	2SC2712
Q	303	Transistor	2SA1162
Q	304	Transistor	2SD1757K
Q	305	Transistor	DTC343TK
Q	306	Transistor	DTC114EK
Q	307	Transistor	DTC114EK
Q	308	Chip Transistor	2SC2712
Q	309	Transistor	DTC114TK
Q	311	Transistor	2SA1162
Q	401	Chip Transistor	2SC2712
Q	402	Chip Transistor	2SC2712
Q	403	Transistor	2SA1162
Q	404	Chip Transistor	2SC2712
Q	405	Chip Transistor	2SC2712
Q	406	Chip Transistor	2SC2712
Q	500	Transistor	2SC3929
Q	502	Transistor	2SC3929
Q	503	Transistor	2SC3929
Q	504	Transistor	2SC3929
Q	506	Transistor	2SC3929
Q	507	Transistor	2SC3929
Q	508	Transistor	2SC3929
Q	509	Transistor	2SC3929
Q	510	Transistor	2SC3929
Q	511	Transistor	2SC3929
Q	512	Transistor	2SC3929
Q	513	Transistor	2SC3929
Q	514	Transistor	2SC3929
Q	515	Transistor	2SC3929
D	201	Diode	5KP24A
D	203	Diode	RD4R7M(B2)
D	301	Diode	RD8R2M(B2)
D	302	Diode	UDZ18
D	401	Diode	1SS355
D	402	Diode	1SS355
D	403	Diode	1SS355
L	201	Choke Coil 0.6mH	CTH1169

RESISTORS

R	101	RS1/16S331J
R	102	RS1/16S331J
R	103	RS1/16S331J
R	104	RS1/16S331J
R	105	RS1/16S473J
R	106	RS1/16S473J
R	107	RS1/16S473J
R	108	RS1/16S473J
R	109	RS1/16S472J
R	110	RS1/16S472J
R	111	RS1/16S472J
R	112	RS1/16S472J
R	113	RS1/16S472J
R	114	RS1/16S472J
R	115	RS1/16S472J
R	116	RS1/16S472J
R	117	RS1/16S182J
R	118	RS1/16S182J
R	119	RS1/16S102J
R	120	RS1/16S102J
R	121	RS1/16S103J
R	122	RS1/16S103J
R	123	RS1/16S182J
R	124	RS1/16S182J
R	140	RS1/16S473J
R	141	RS1/16S153J
R	142	RS1/16S153J
R	143	RS1/16S153J
R	144	RS1/16S153J
R	145	RS1/16S473J
R	146	RS1/16S472J
R	147	RS1/16S392J
R	148	RS1/16S152J
R	149	RS1/16S273J
R	150	RS1/16S473J
R	151	RS1/16S473J
R	152	RS1/16S473J
R	153	RS1/16S222J
R	155	RS1/16S4R7J
R	156	RS1/16S4R7J
R	157	RS1/16S222J
R	161	RS1/16S100J
R	162	RS1/16S100J
R	163	RS1/16S100J
R	164	RS1/16S100J
R	165	RS1/16S100J
R	166	RS1/16S100J
R	167	RS1/16S100J
R	168	RS1/16S100J
R	181	RS1/16S331J

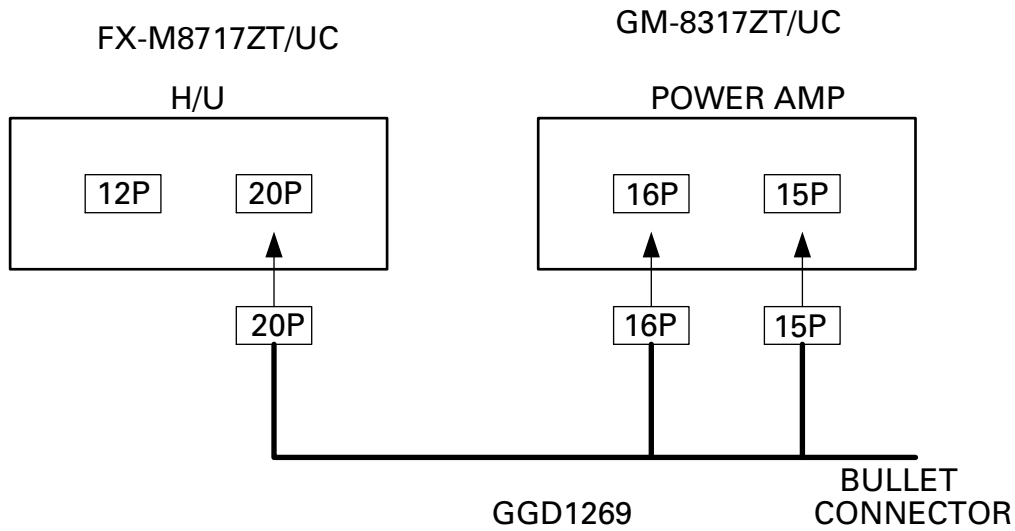
GM-8317ZT,8317ZT-91

====Circuit Symbol and No.====Part Name	Part No.	====Circuit Symbol and No.====Part Name	Part No.
C 111	CCSRCH221J50	C 401	CKSRYPB102K50
C 112	CCSRCH221J50	C 402	CKSRYPB102K50
C 113	CKSRYPB474K10	C 501	CKSRYPB472K50
C 114	CKSRYPB474K10	C 502	CKSRYPB223K25
C 115	CKSRYPB474K10	C 505	CKSRYPB472K50
C 116	CKSRYPB474K10	C 506	CKSRYPB472K50
C 117	CKSRYPB474K10	C 507	CKSRYPB223K25
C 118	CKSRYPB474K10	C 508	CKSRYPB222K50
C 119	CKSRYPB474K10	C 509	CKSRYPB472K50
C 120	CKSRYPB474K10	C 510	CKSRYPB223K25
C 121	CFTNA224J50	C 513	CKSRYPB472K50
C 122	CFTNA224J50	C 514	CKSRYPB472K50
C 123	CFTNA224J50	C 515	CKSRYPB223K25
C 124	CFTNA224J50	C 516	CKSRYPB222K50
C 125	CFTNA105J50	C 517	CKSRYPB223K25
C 126	CEHAQ100M50	C 518	CKSRYPB222K50
C 127	CKSQYB104K25	C 520	CKSRYPB102K50
C 130	CKSRYPB102K50	C 521	CKSRYPB473K16
C 131	CKSRYPB474K10	C 522	CKSRYPB472K50
C 132	CKSRYPB474K10	C 523	CKSRYPB223K50
C 133	CKSRYPB474K10	C 524	CKSRYPB473K50
C 134	CKSRYPB473K16	C 525	CKSRYPB223K25
C 135	CKSRYPB102K50	C 526	CKSRYPB222K50
C 136	CKSRYPB224K16	C 528	CKSRYPB102K50
C 137	CFTNA474J50	C 529	CKSRYPB473K16
C 138	CEHATR10M50	C 530	CKSRYPB472K50
C 139	CKSQYB473K25	C 531	CKSRYPB223K50
C 140	CKSRYPB102K50	C 532	CKSRYPB473K50
C 141	CKSRYPB102K50	C 533	CKSRYPB473K16
C 142	CKSRYPB224K16	C 534	CKSRYPB473K16
C 143	CEHAR6R8M25	C 537	CKSRYPB224K16
C 150	CKSRYPB473K16	C 538	CKSRYPB473K16
C 151	CKSRYPB223K50	C 539	CKSRYPB103K50
C 152	CKSRYPB103K50	C 540	CKSRYPB223K50
C 161	CKSRYPB473K16	C 541	CKSRYPB473K16
C 162	CKSRYPB473K16	C 542	CKSRYPB473K16
C 163	CKSRYPB473K16	C 545	CKSRYPB224K16
C 181	CKSRYPB332K50	C 546	CKSRYPB473K16
C 182	CKSRYPB332K50	C 547	CKSRYPB103K50
C 183	CKSRYPB332K50	C 548	CKSRYPB223K50
C 184	CKSRYPB332K50	C 549	CKSRYPB473K16
C 185	CKSRYPB332K50	C 550	CKSRYPB223K50
C 186	CKSRYPB332K50	C 551	CKSRYPB103K50
C 187	CKSRYPB332K50	C 552	CKSRYPB102K50
C 188	CKSRYPB332K50	C 553	CKSRYPB224K16
C 189	CCSRCH471J50	C 554	CKSRYPB473K16
C 190	CCSRCH471J50	C 555	CKSRYPB473K16
C 191	CCSRCH471J50	C 556	CKSRYPB223K25
C 192	CCSRCH471J50	C 557	CKSRYPB473K16
C 193	CCSRCH471J50	C 558	CKSRYPB223K50
C 194	CCSRCH471J50	C 559	CKSRYPB103K50
C 195	CCSRCH471J50	C 560	CKSRYPB102K50
C 196	CCSRCH471J50	C 561	CKSRYPB224K16
C 201	CEHAQ332M16	C 562	CKSRYPB473K16
C 202	CKSRYPB104K16	C 563	CKSRYPB473K16
C 203	CEHAQ1R0M50	C 564	CKSRYPB223K25
C 204	CKSRYPB103K50	C 565	CKSRYPB105K10
C 205	CEHAQ221M10	C 567	CKSRYPB224K16
C 206	CEHAQ101M10	C 568	CKSRYPB473K16
C 207	CKSRYPB103K50	C 569	CKSRYPB105K10
C 208	CKSRYPB103K50	C 571	CKSRYPB224K16
C 301	CEHAQ1R0M50	C 572	CKSRYPB473K16
C 304	CEHAQ330M35	C 573	CKSRYPB473K16
C 312	CKSRYPB222K50	C 575	CKSRYPB105K10
C 313	CKSRYPB222K50	C 576	CKSRYPB474K10

====Circuit Symbol and No.====	Part Name	Part No.
C 577		CKSRYB473K16
C 579		CKSRYB105K10
C 580		CKSRYB474K10
C 581		CKSRYB104K25
C 582		CKSRYB103K50
C 583		CKSRYB104K25
C 584		CKSRYB104K25
C 585		CKSRYB104K25
C 586		CKSRYB103K50
C 587		CKSRYB104K25
C 588		CKSRYB104K25
C 589		CKSRYB474K10
C 590		CKSRYB222K50
C 591		CKSRYB105K10
C 592		CKSRYB103K50
C 593		CKSRYB474K10
C 594		CKSRYB222K50
C 595		CKSRYB105K10
C 596		CKSRYB103K50

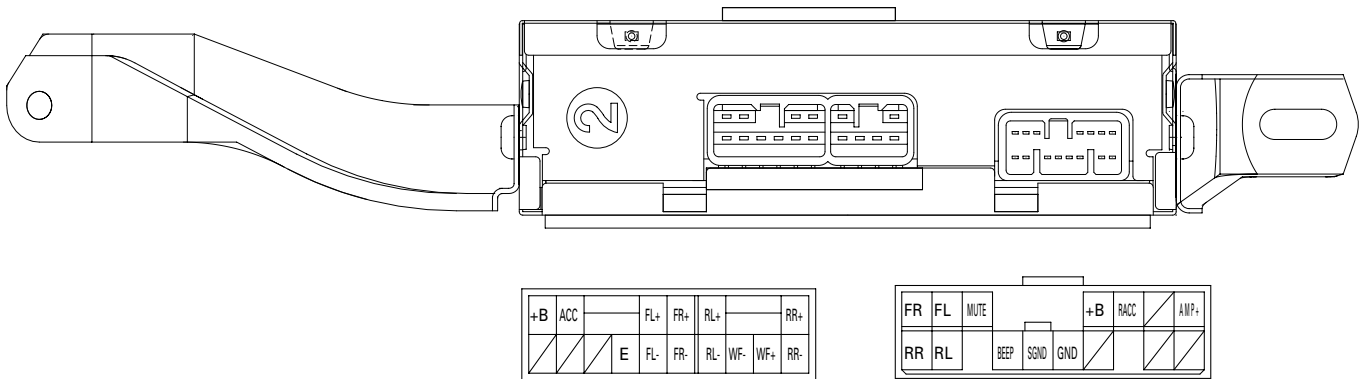
6. ADJUSTMENT

6.1 CONNECTION DIAGRAM

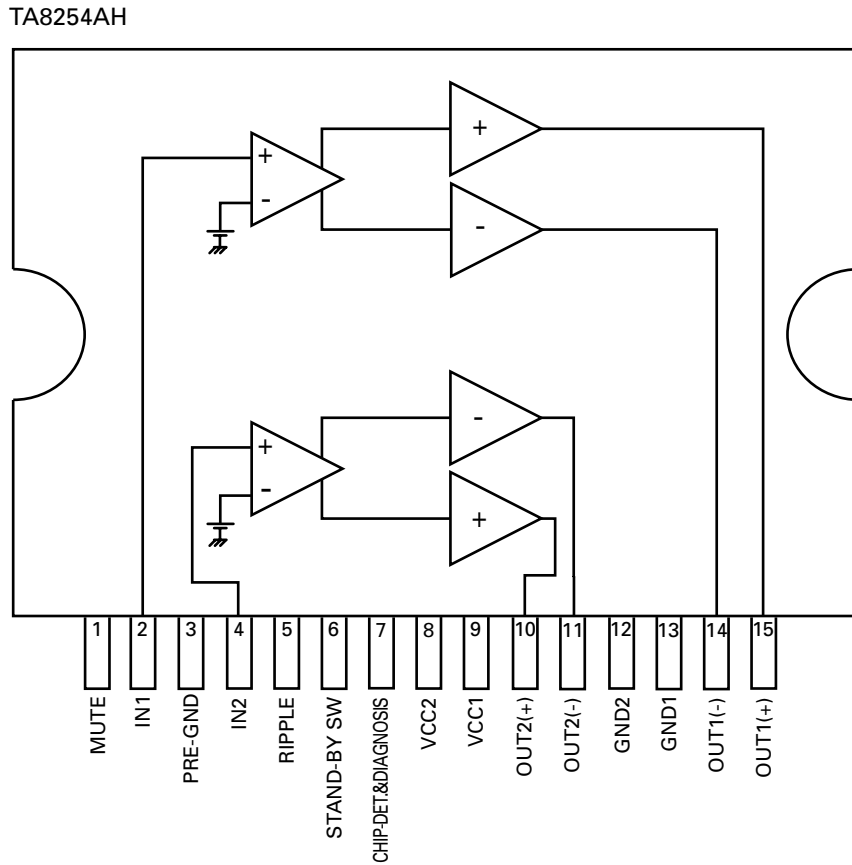


7. GENERAL INFORMATION

7.1 CONNECTOR FUNCTION DESCRIPTION



7.2 IC



7.3 SYSTEM BLOCK DIAGRAM

