

Service
Service
Service



FC9010
/A
/B

Philips Domestic Appliances and Personal Care

Service Manual

PRODUCT INFORMATION

- This product meets the requirements regarding interference suppression on radio and TV.
- After the product has been repaired, it should function properly and has to meet the safety requirements as officially laid down at this moment.

TECHNICAL INFORMATION

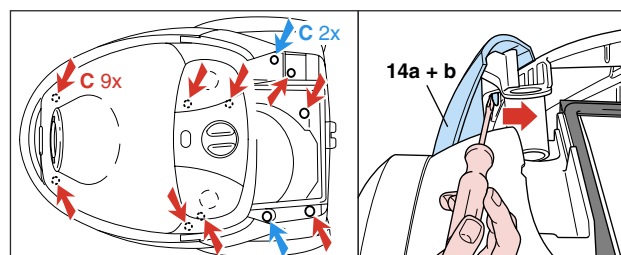
- Colour /A : Fresh blue
- /B : Navy blue
- Maximum air displacement : 37 l/sec.
- Maximum vacuum water column : 310 cm
- Power consumption (IEC) 230 V : 1400 W
- Duststorage capacity : 3 L
- Type number dustbag : FC8021
- Cord length (depends on version) : 7 metres
- Filter system : Paper dustbag
 : Exhaust AFS air filter
 : Motor inlet filter
- Dimensions of cleaner : 460 x 315 x 270 mm
- Dimensions of packaging : 595 x 395 x 295 mm
- Net weight : 5.88 kg
- Gross weight : 9.135 kg

OPTIONAL (accessories)

- FC8021 S-bags
- FC8030 AFS-filter
- FC8031 HEPA Air Filter
- FC8034 Upgrade kit Active Carbon Filter
- HR6988 Turbo brush nozzle
- HR8040 Polishing nozzle

DISASSEMBLY- AND RE-ASSEMBLY ADVISE

- Open the appliance, first remove the exhaust filter grille (item 20), and then remove the 2 screws - C of the switch control panel (item 15).



- To remove the the panel, pos 14a + b must be removed by using a screwdriver to separate the two covers from the panel as shown in the picture.
- Undo and remove the 9 screws - C in the upper housing (item 8). You will require a screwdriver with a 14.5 cm-long shank for this. Screwdriver 9965 000 08332 can be used.
- The component configuration shown in the exploded view may differ in case of specific versions. The components are distinguished by means of code numbers.
- When the repair is finished, check whether all functions of the appliance work properly.
- To disassemble the cord winder, use TORX screwdriver no. T10, which is one of a set consisting of T20; T15; T10; T9; T8; T7 and T6 (code number 4822 395 50145).

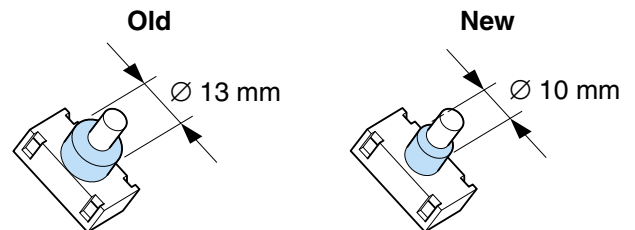
REPAIR INSTRUCTION

- **Item 4**, cotton dustbag, is used in countries in which paper dustbags are not available.
- If the reel half spring unit is replaced, shaft **A** must be lubricated with **silicone grease**. Do not apply any silicone grease to or spill any grease on terminals (43) or conductors (42).
- **Item 40** is provided with a long cord-winder spring, but both long and short cords can be used in combination with this spring. (L = 9.3 m)
- Depending on the original cord, the spare cord must be shortened to the length of the original cord.
- The cord winder spring must be tensioned to the maximum level and then be rewound approx. 1.5 turn
- **Item 13**, air valve, opens to cool the motor if the air displacement is too low or if the airflow is blocked.
- If the function of the electronic control unit (**item 12**) is not required, the Triac must be short-circuited in the manner shown in the circuit diagram.
- When the vacuum cleaner is used to suck up fine dust the pores of the dustbag may become clogged, causing the passage of air through the dustbag to become obstructed. As a result, the dustbag-full indicator will indicate that the dustbag needs to be replaced, eventhough the dustbag is not full at all.

 = changed

- Due to introduction of a **new switch** (item 11) 0320 onwards, which is not interchangeable with the old switch soldered on the PCB (item 12).
- The switch lever assy (item 11a) is also modified.

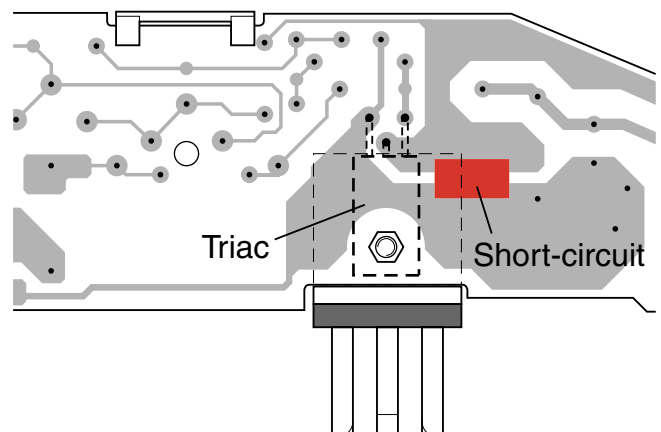
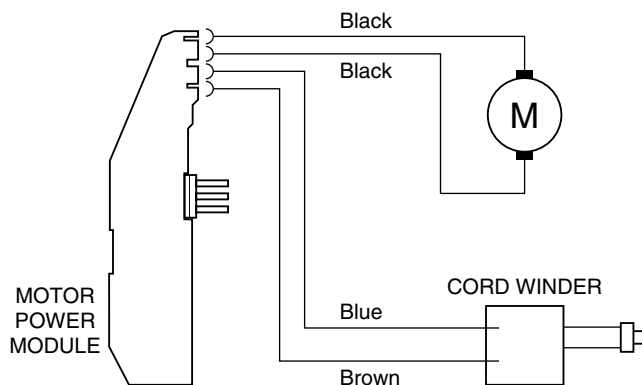
To recognize the switches:



New spares are:

- | | |
|-------------------------|------------------|
| Switch soldered version | - 4322 006 50600 |
| Switch lever assy | - 4322 009 08980 |

ELECTRICAL DIAGRAM



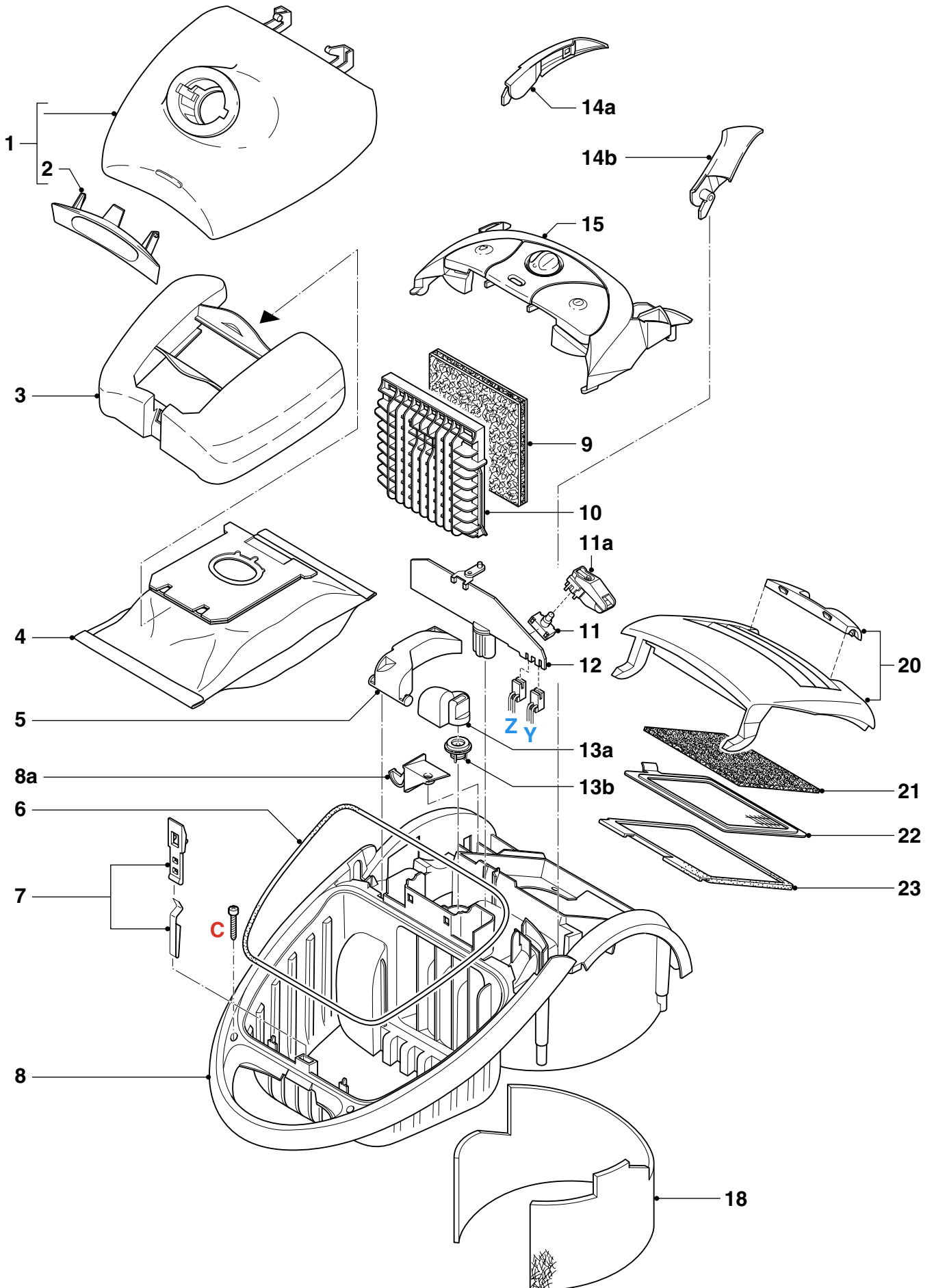
PARTS LIST

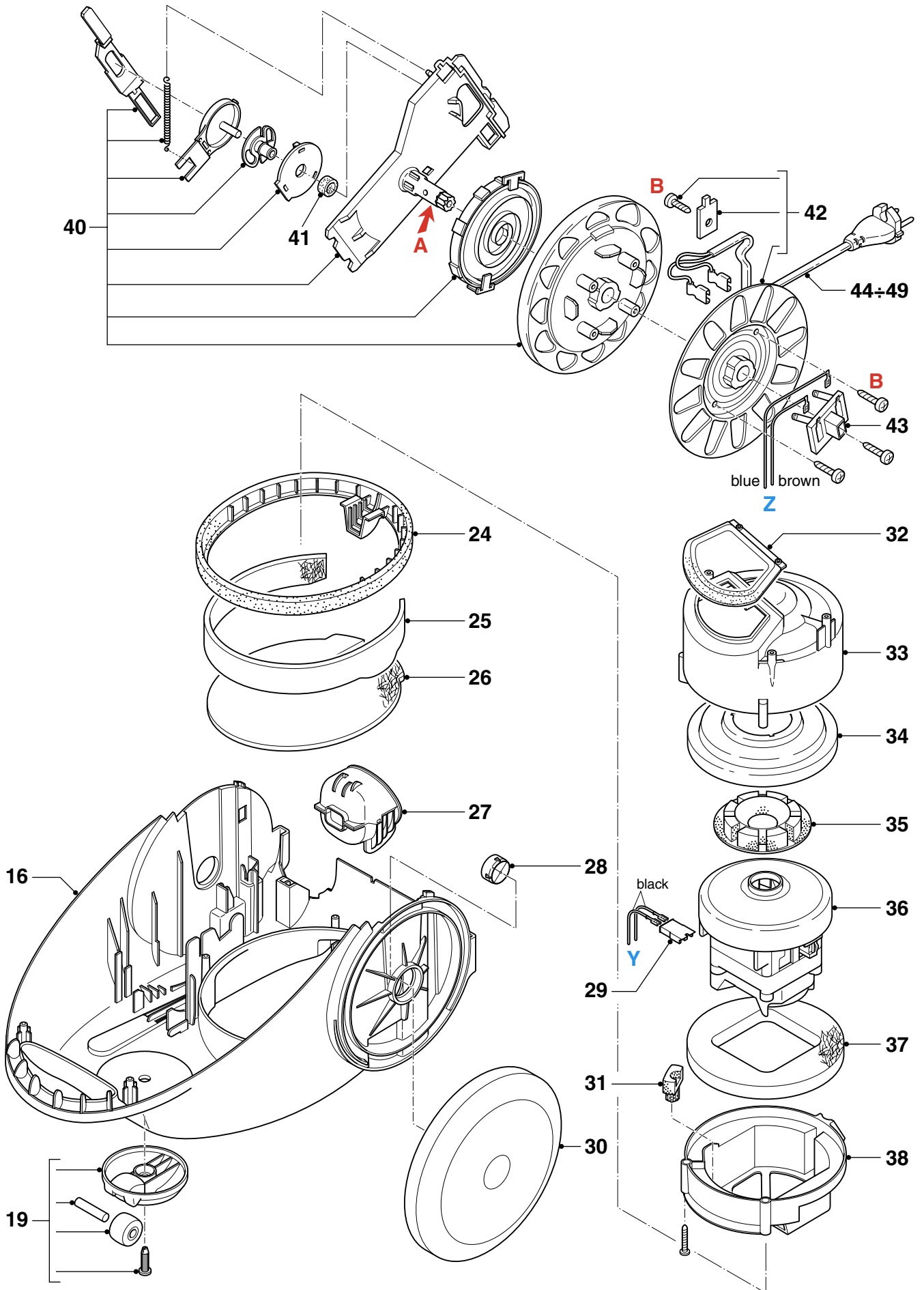
FC9010 /A /B

Pos	Service code	Description	
1	4322 005 13450	Dust cover	/A
	4322 005 14400	Dust cover	/B
2	4322 003 18290	Dust cover lock m.grey	
3	4322 003 18160	Dustbag holder	
4	4822 480 10113	S-paper dustbags	FC8021
	4322 004 93290	Cotton dustbag	
5	4322 003 18300	Cordwinder lever	
6	4322 001 73310	Sealing rim	
7	4322 005 12550	Dustbag detector	
8	4322 003 18060	Upper housing m.grey	
8a	4322 003 20410	Clamp upper/lower housing	
9	4322 000 37300	Triple filter	
10	4322 009 07040	Grill + triple filter	
11	4322 006 21480	Switch soldered version	
	4322 006 50600	Switch sold. vers. 0320 onwards	
11a	4322 009 08420	Switch lever assy	
	4322 009 08980	Switch lever assy 0320 onwards	
12	4322 006 22560	PCB slide turn 230V	
13a	4322 005 12200	Dustbag full indicator	
13b	4322 005 12210	Air valve	
14a	4322 003 19950	Cover R	
14b	4322 003 19940	Cover L	
15	4322 009 08310	Panel assy turn	/A
	4322 009 08480	Panel assy turn	/B
16	4322 003 17900	Lower housing m.grey	
18	4322 000 37450	Silencer 4 wall	
19	4322 005 12190	Caster assy m.grey	
20	4322 009 08320	Exhaust grille	
21	4322 000 37460	Exhaust diffusor	
22	4322 004 92910	Electr.static filter	FC8030
23	4322 001 73280	Filter sealing	
24	4322 003 18000	S-class sealing	
25	4322 000 37420	Silencer 1 wall	
26	4322 000 37430	Silencer 2 bottom	
27	4322 003 18080	Cord outlet m.grey	
28	4322 003 18910	Rear wheel lock red	
29	4322 003 20390	Receipt. housing A.C.	
30	4322 003 17960	Rear wheel m.grey	
31	4322 001 73300	Motor buffer back	
32	4322 003 18040	Inlet sealing	

■ = changed

Pos	Service code	Description	
33	4322 003 18010	Motor cap top	
34	4322 003 18020	ANS disc	
35	4322 001 73290	Motor bufferring front	
36	4322 009 06430	Motor A 1441 230V	
37	4322 000 37440	Silencer 3 ans	
38	4322 003 18030	Motor cap bottom	
40	4322 009 07940	Reel half spring unit (L = 9m)	
41	4322 001 72360	Brake tyre	
42	4322 009 07950	Reel half contact unit	
43	4322 009 07970	Contact ring plate	
44	4322 006 01440	Argentina	L = 9.3 m
	4322 006 01760	Australia	L = 9.3 m
45	4322 006 01680	Taiwan	L = 6.3 m
46	4322 006 01720	U.K. / H.K.	L = 9.3 m
47	4322 006 01410	Euro 4.8 mm pins	L = 9.3 m
48	4322 006 01670	Swiss	L = 9.3 m
49	4322 006 01460	Italy	L = 9.3 m
50	4322 003 18850	C-bend B1	
51	4322 005 13510	C-bend B1 hose assy	
54	4322 007 16000	Leaf spring assy	
55	4322 004 22570	Plumeau assy	(opt.)
56	4322 003 18870	Crevice nozzle	
57	4322 005 13410	Acc. bridge assy	
58	4322 004 41140	Metal tube	(opt.)
59	4322 004 22610	Telesc. tube	
60	4322 001 99120	Tube bush	
61	4322 007 45550	Tube spring	
62	4322 004 22560	Small nozzle	
63	4322 004 22740	Nozzle RD262	
64	4322 004 22900	Polishing nozzle	(opt.)
65	4322 005 11040	Polishing disc	(opt.)
66	8838 041 01010	Polishing brushes	(opt.)
67	9965 000 03349	Coupl. piece (standard)	
68	4822 358 10205	Drive belt	
69	4822 479 20201	Brush assy	
70	4322 004 22590	Turbo nozzle	
A	5322 390 20011	Silicon grease for shaft	
B	4322 002 82550	Screw 3.5 x 12 T10	
C	4322 002 82080	Screw 3.5 x 19	





EXPLODED VIEW

FC9010 /A /B

