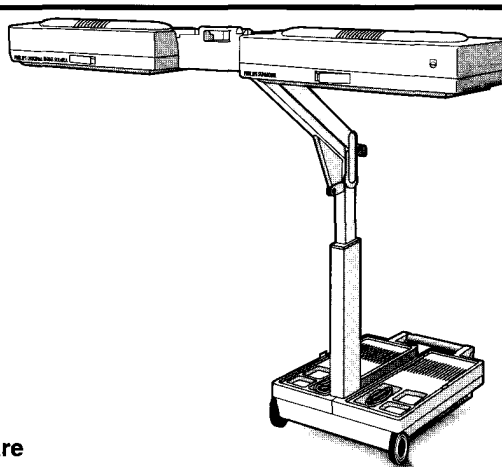
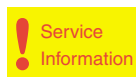


Service Service Service

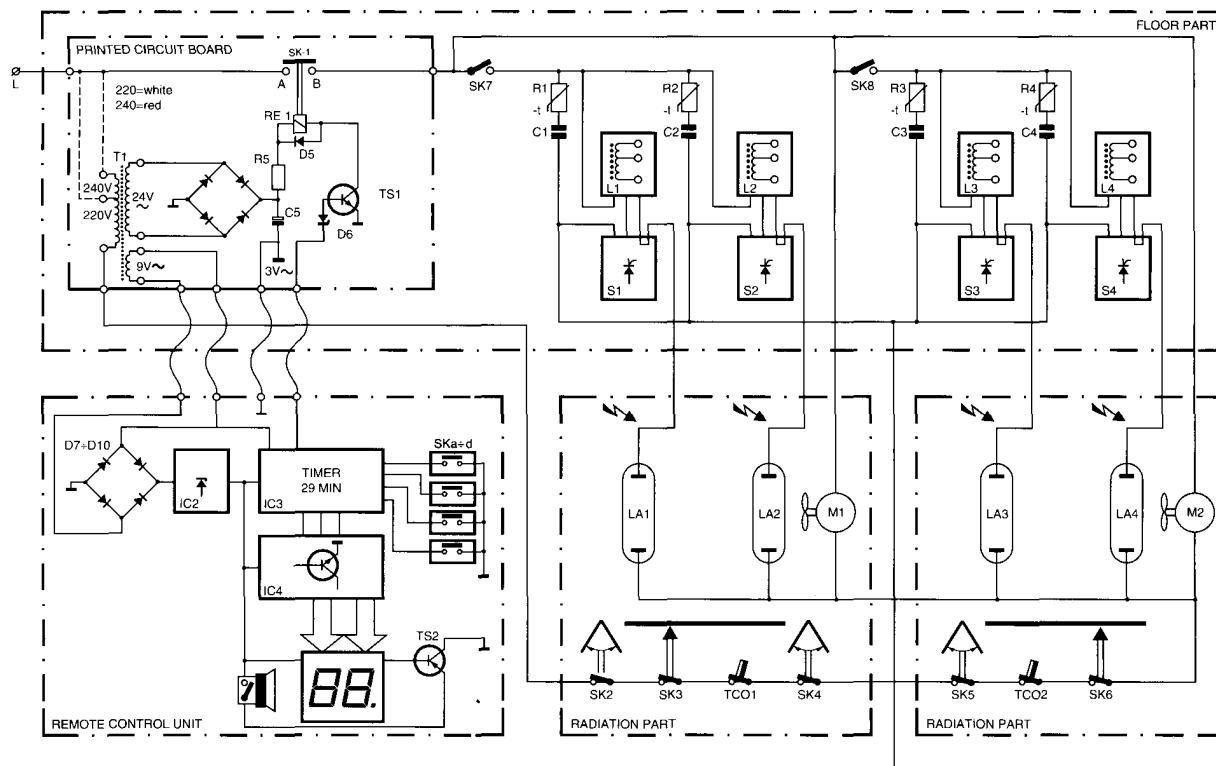


Domestic Appliances and Personal Care

Service Manual

TECHNICAL DATA:

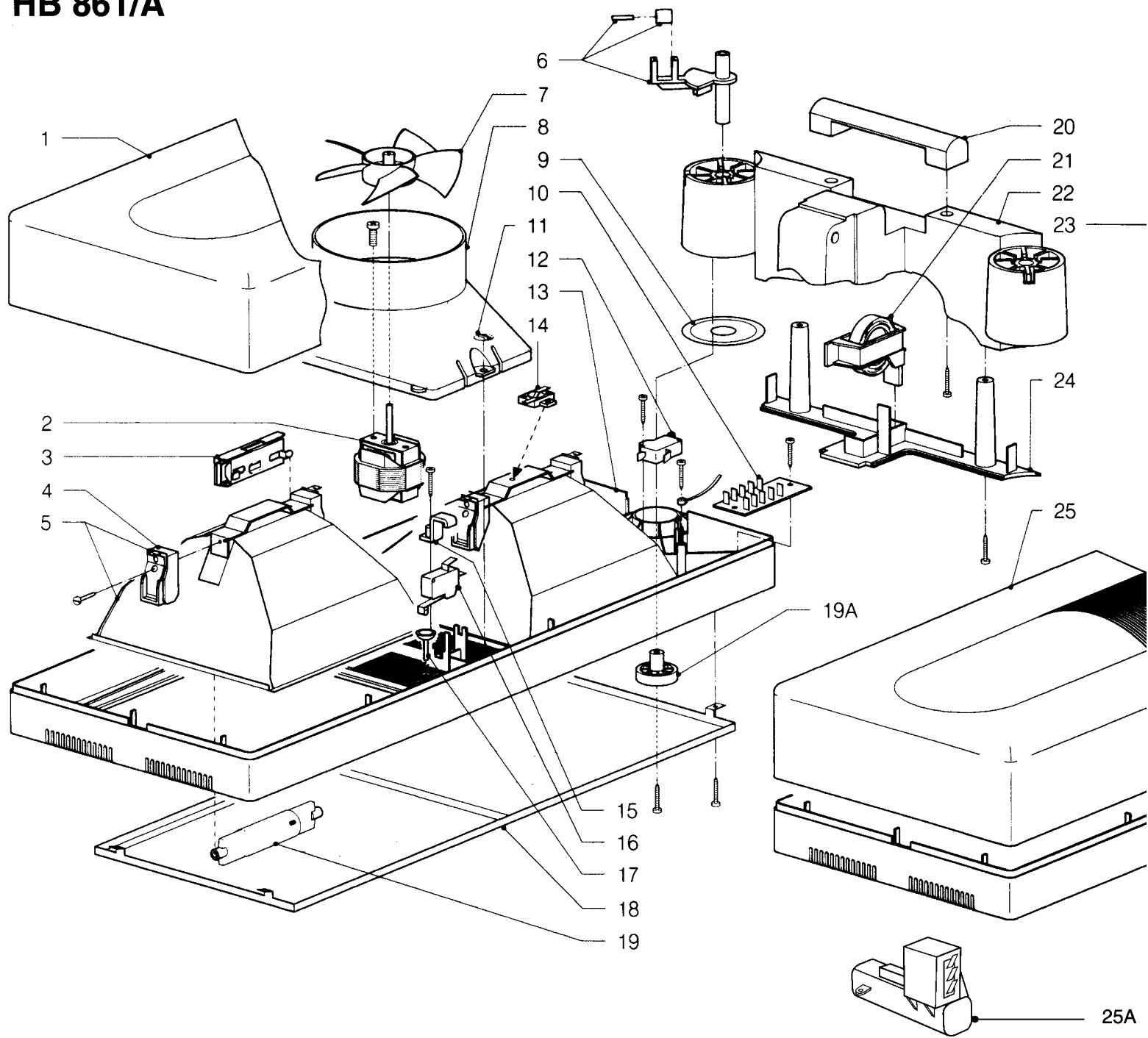
Input voltage	: 220-230/240 V 50 Hz	Starter	: 4x SN58-spec.
Input consumption	: approx. 1800 W	Timer	: digital
UV-A source	: 4x HPA400/118 mm	Radiation area	: 190 x 75 cm
Ballast	: 4x BHA400L	Output (min) at 80 cm	: 6.4 mW/cm ² LMV 2.6 mW/cm ² HEBRU

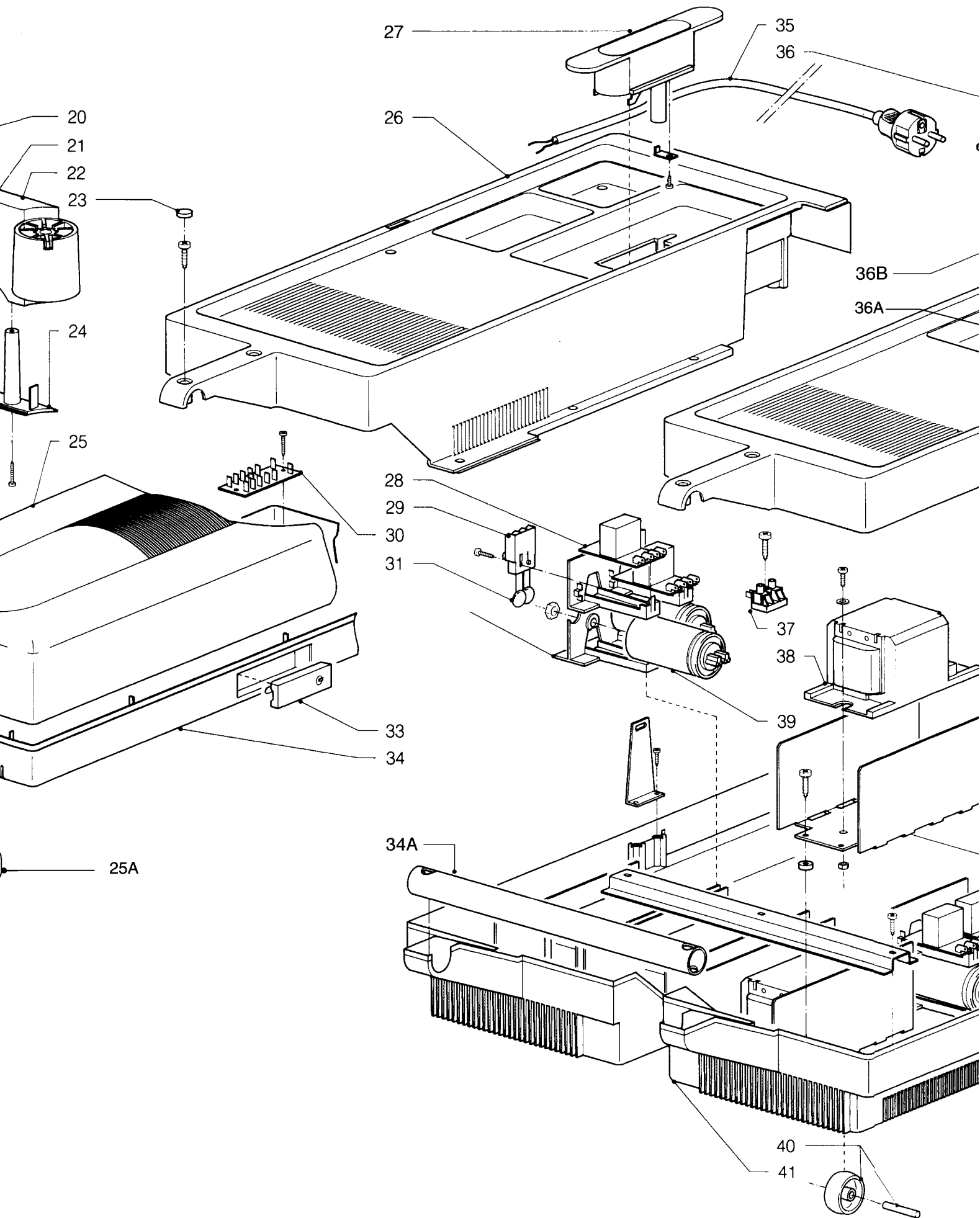


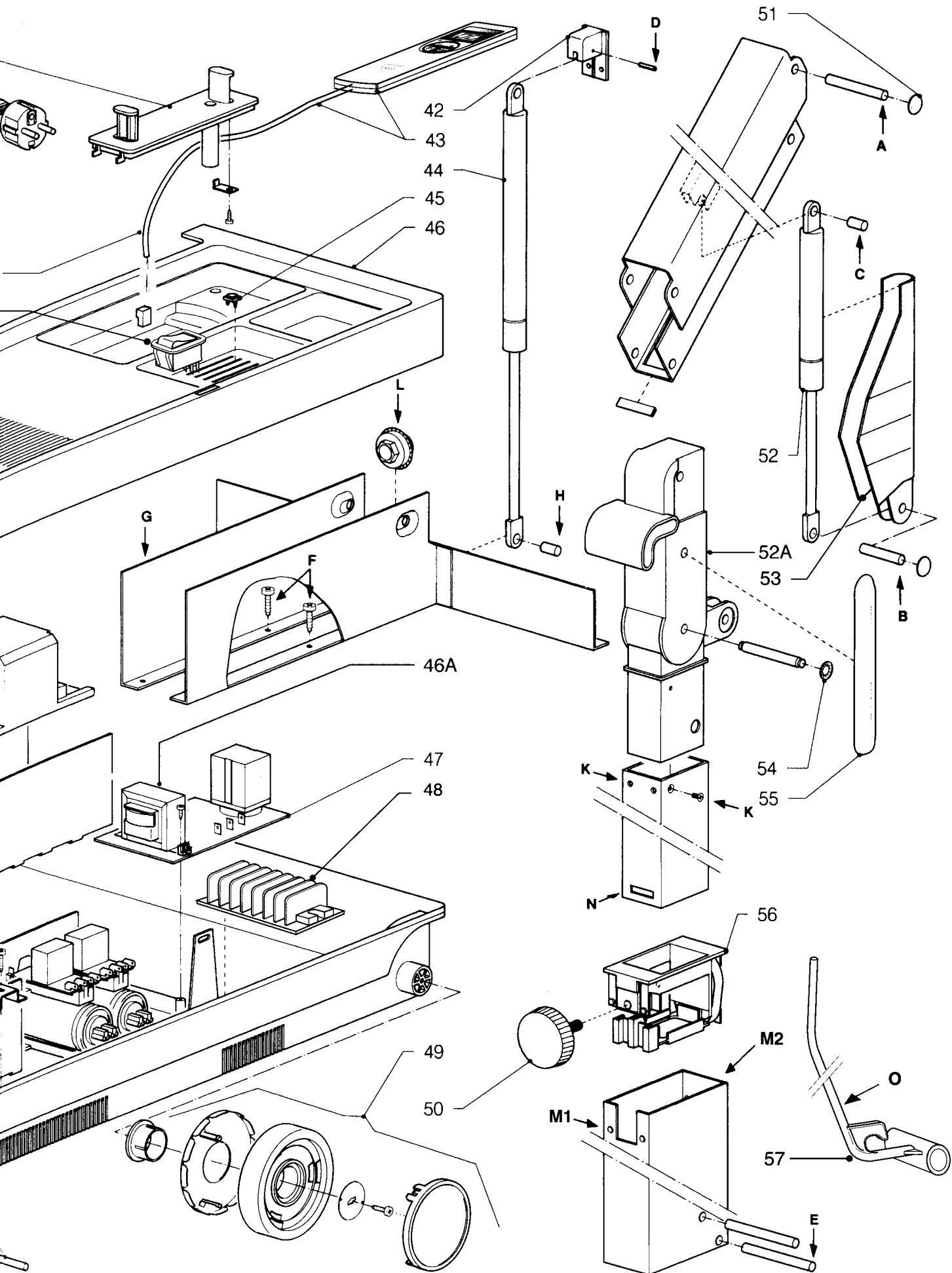
MSH Coding 8843 861 0000 HB861



HB 861/A







1	4822 442 01456	cover radiation part	40	4822 528 70519	wheel + spindle
2	4822 361 10512	motor 220/240V	41	4822 441 12209	housing floor part
3	4822 417 30163	lock left	42	4822 404 40654	holder
4	4822 325 20102	lamp holder	43	4822 219 10533	remote control
5	4822 380 20306	reflector	44	4822 529 10255	gas spring base
6	4822 417 11009	stop disc + roller	45	4822 410 11892	memo knob
7	4822 515 40178	fan	46	4822 442 01455	cover RC-side
8	4822 441 80678	fan housing	46A	4822 146 20823	transformer
9	4822 532 40186	retaining ring	47	4822 218 11844	PCB complete 230/240V
10	4822 265 41388	PCB connector	48	4822 265 20655	connecting block 7S
11	4822 532 10744	speed clamp 3.6mm	49	4822 528 11272	wheel complete
12	4822 271 30619	micro switch	50	4822 410 11893	ornamental screw
13	4822 441 12212	lamphousing flex-side	51	4822 462 11098	cap spring fix
14	4822 282 40255	aut. cutout	52	4822 529 10207	gas spring (hinge)
15	4822 404 40639	switch bracket	52A	4822 498 10707	grip part
16	see item 12		53	4822 442 01457	cover gas spring
17	4822 410 40417	switch pin	54	4822 530 70444	spring fix 85X26
18	4822 466 62476	glass plate	55	4822 442 01453	hinge cover
19	4822 134 30032	HPA-lamp 400W	56	4822 417 50288	lift mechanism
19A	4822 411 90032	hinge cap	57	4822 404 40725	guide pin
20	4822 498 10706	grip	--	4822 690 80147	HB072 protecting goggles
21	4822 452 80163	distance indicator	--	4822 395 50446	set of keys
22	4822 441 12213	T-piece			
23	4822 462 11099	orn. prop (set)			
24	4822 442 01454	cover T-piece			
25	see item 1				
25A	4822 277 11375	ball switch			
26	4822 442 01452	cover flex side			
27	4822 442 01448	flex holder (mains)			
28	4822 219 80605	starter SN58-spec			
29	4822 265 30284	connecting block 3S			
30	see item 10				
31	4822 116 30297	NTC resistor			
32	4822 404 40554	holder			
33	4822 417 30164	lock right			
34	4822 441 12211	lamphousing RC-side			
34A	4822 535 10561	bar grip			
35	4822 321 10887	flex EU			
36	4822 256 10495	flex holder (timer)			
36A	4822 277 11448	on/off switch			
36B	4822 320 12291	remote control cable			
37	4822 265 20234	connecting block 2S			
38	4822 142 60417	ballast 230V			
	4822 142 60365	ballast 240V			
39	4822 124 40701	capacitor 25uF/250V			

HINTS FOR REPAIRS

When checking/replacing HPA-lamps you should pay attention to the following:

- **HPA lamps only start when they have cooled down sufficiently.**
- **Never touch a lamp with your fingers. If necessary, clean the lamp with a cloth soaked with alcohol.**
- **After assembly the glass filter should be free from finger prints and dust. Clean the glass filter with a cloth soaked with alcohol, if necessary.**
- **New HP400 lamps may show colour differences. This is not a defect, but a characteristic phenomenon of lamps of this type. The discolourations disappear after a short period of use.**
- **Always use protecting goggles when looking in the direction of burning lamps.**

If the thermal switch turns the HP 400 lamp off repeatedly, check if the rpm of the fan isn't too low. Put some thin oil on the bearings.

If a fuse blows when you switch on the appliance, this is usually caused by a fuse that acts too quickly. In such a case, use of a slow 16A safety fuse is recommended on account of the high starting current.

The fuse may also be activated as a result of a defective NTC resistor, a defective capacitor, a defective ballast or an overloaded circuit.



Used-up or broken lamps are chemical waste and must be disposed of in the appropriate manner.

Gas spring (item 44)

- Put the appliance in the operating position.
- Remove the covers (item 26 and 46) after loosening 22 screws.
- Remove clamping pin (D) and press the gas spring out of the holder (item 42).
- Remove the blocking pin (E), and lower the radiation unit onto the floor.
- Remove the 2 screws (F).
- Lift the metal subframe (G) a little and remove the gas spring (item 44) by means of pin (H).

Gas spring (item 52)

- Put the appliance in position 2, as indicated on the stand.
- Hinge the radiation units outwards and remove a decorative clamp (item 51).
- Place a hand on the text part of the stand and press this part into horizontal position.
- Use a plastic hammer to tap pin (A) outwards.
NB: CONTINUE TO EXERT PRESSURE ON THE STAND!

- Hinge the radiation units inwards again and raise the stand slowly - moving the radiation unit along by means of the handle (item 20).
- Now turn the stand and the radiation unit through so far that the radiation units rests on the floor.
- The gas spring (item 52) is now unloaded so that pin (B) can be easily removed.
- Place the new gas spring with pin (C) in the hinged part. The pin is placed under the 7-core connection cable.
- Assemble the protecting cover (item 53) and press pin (B) back into place again.
- Lift the radiation unit by its handle and check whether the gas spring with pin (C) is correctly supported in the fork of the hinged part.
- Press the hinged part against the spring pressure, moving the radiation unit along at the same time until the whole unit is in a horizontal position again.
- Continue to exert pressure and hinge the radiation unit outwards.
- Assemble pin (A).
- Put the appliance in operating position, and assemble the remaining clamps.

Lift unit (item 56)

- Remove the covers (item 26 and 46).
- Disconnect the wires of the 7-core cable (write down the colours of the connecting wires).
- Wrap the connectors with tape for easily handling.
- Press the cord relief (L) inwards after having pressed the locking device.
- Remove the blocking pin (E) and take the guide bar (O) out.
- Press the entire cord into the stand.
- Put the appliance in operating position.
- Remove the 2 screws (K) and lift the radiation unit out of the tube of the stand.
- Remove the clamping screws (item 50).
- Remove the 2 screws (M1).
- Remove the lift unit (item 56) together with the inside tube while pressing the detent (M2).
- Press the locking pegs at place (N) inwards and slide the lift unit of the inside tube.
- Assemble a new lift unit (pay attention to the correct placing of the inside tube on account of the fixing screws (K)).
- Check whether the pressure plate and the screw block are present on the one side of the lift unit and the spring retaining plate on the other side.
- Assemble the radiation unit on the inside tube and tighten screws (K).
- Assemble the 7-core cable and fit the guide bar (O).
- Check if the guide bar is inside the curled cable!
- Assemble the blocking pin (E).
- Assemble the covers (item 26 and 46).

