

Service
Service
Service



Philips Domestic Appliances and Personal Care

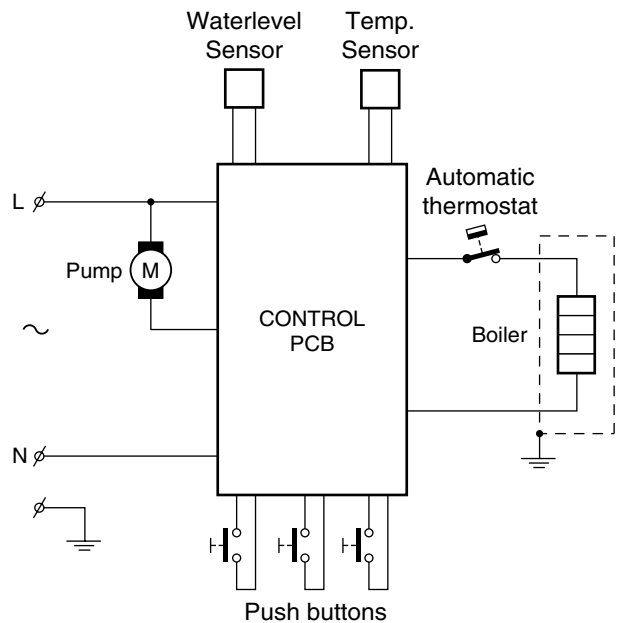
Service Manual

PRODUCT INFORMATION

- This product meets the requirements regarding interference suppression on radio and TV.
- After the product has been repaired, it should function properly and has to meet the safety requirements as officially laid down at this moment.

TECHNICAL INFORMATION

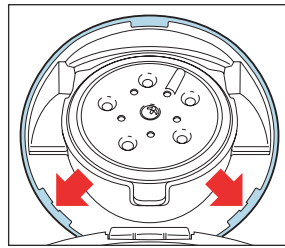
- Voltage : 220 - 230 V
- Frequency : 50 Hz
- Power consumption : 1450 W
- Standby power consumption : 0.002 kWh
- Contents reservoir : 755 cc
- Colour setting : White / Vapour dusk
- SAP coding : HD7810/10



Disassembly information

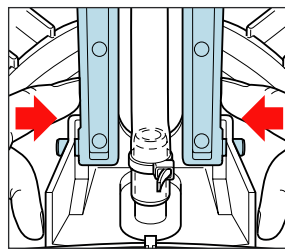
To remove the brew chamber lid cover (item 8 exploded view) handle as follows:

- Place the screwdriver on the positions (see picture 1) and lift the cover over the snap locks on both positions.



picture 1

- The cover lid can now be lifted up a little and to remove the complete cover including lever and push rod (items 9 and 10) squeeze strongly with two fingers both legs of the push rod (see picture 2) to each other, so that the two pins will get out of the hinge position on the brew chamber.



picture 2

- To remove lever from lid cover, take a screwdriver and bend carefully the two lips/ribs in the lid cover outwards and push the lever with force out of the hinge.
- Reassemble follow steps backwards, without using a screwdriver.

To remove the back cover (item 23 exploded view) handle as follows:

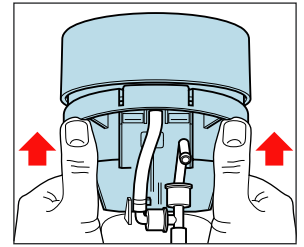
- Remove valve outlet.
- Start at the upper side of the back cover and stick a screwdriver into the 2 snap locks positions and gently pull the back cover from the appliance so that a little chink between back cover and brew chamber becomes visible.
- Put the screwdriver in to the 4 rectangular holes (snap locks) at the back and gently pull the screwdriver such away that the lips of the snap locks are bent outwards.
- If all clicks positions are loose, it is possible to remove the back cover.
- Reassemble follow steps backwards.

Removing 3-way valve (item 13 exploded view) handle as follows:

- Unsnap boiler out of brew chamber.
- Rotate the 3-way valve a quarter (90°) counter clockwise.
- Gently pull the 3-way valve out of the boiler.
- Reassemble follow the above steps backwards.

Removing Brew chamber head (item 1 exploded view) handle as follows:

- Back cover and 3-way valve must be disassembled!
- Place the appliance such a way that you are looking at the boiler.
- First remove the boiler from the snap lock position of the brew chamber. (there were the boiler is fixed to the brew chamber)
- To do so use a screwdriver and bend slightly the both ribs to the outer side and pull the boiler out of the fixation point.
- To remove the brew chamber, use your both thumbs (see picture 3) and push strongly with a little distortion (rotation) until the brew chamber comes loose.



picture 3

- Reassemble follow above steps backwards.

To reach the components placed on the base handle as follows:

- First remove back cover, brew chamber and 3-way valve.
- Remove both Torx T15 screws see exploded view in the near of position **A**.
- Bend the 2 click snap locks with a screwdriver (see base), and the housing can now be removed.
- To remove the rest of the housing unlock the last 4 snap locks at the base and gently pull of the front cover.
- To reassemble follow above steps backwards.

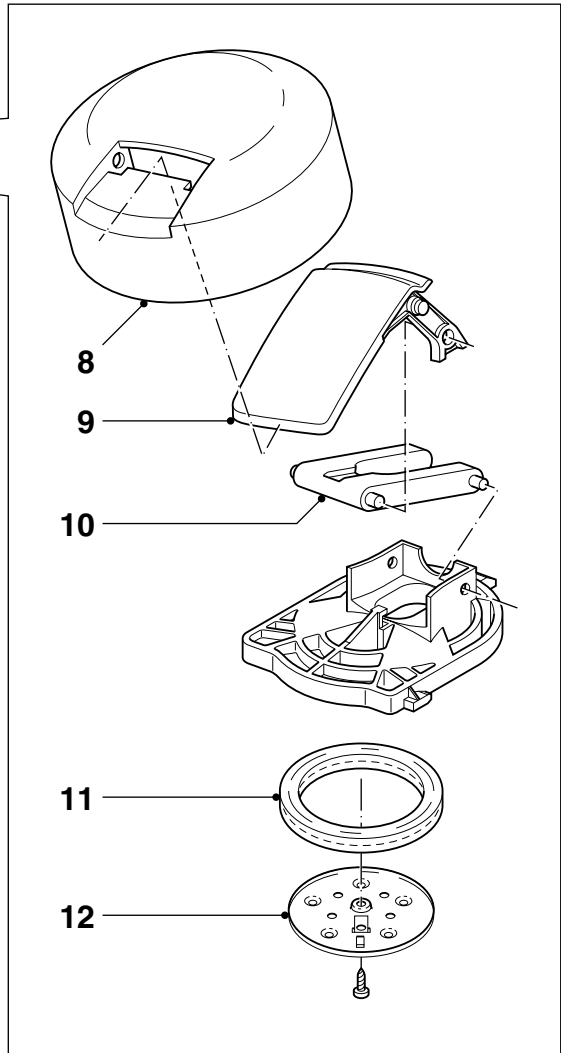
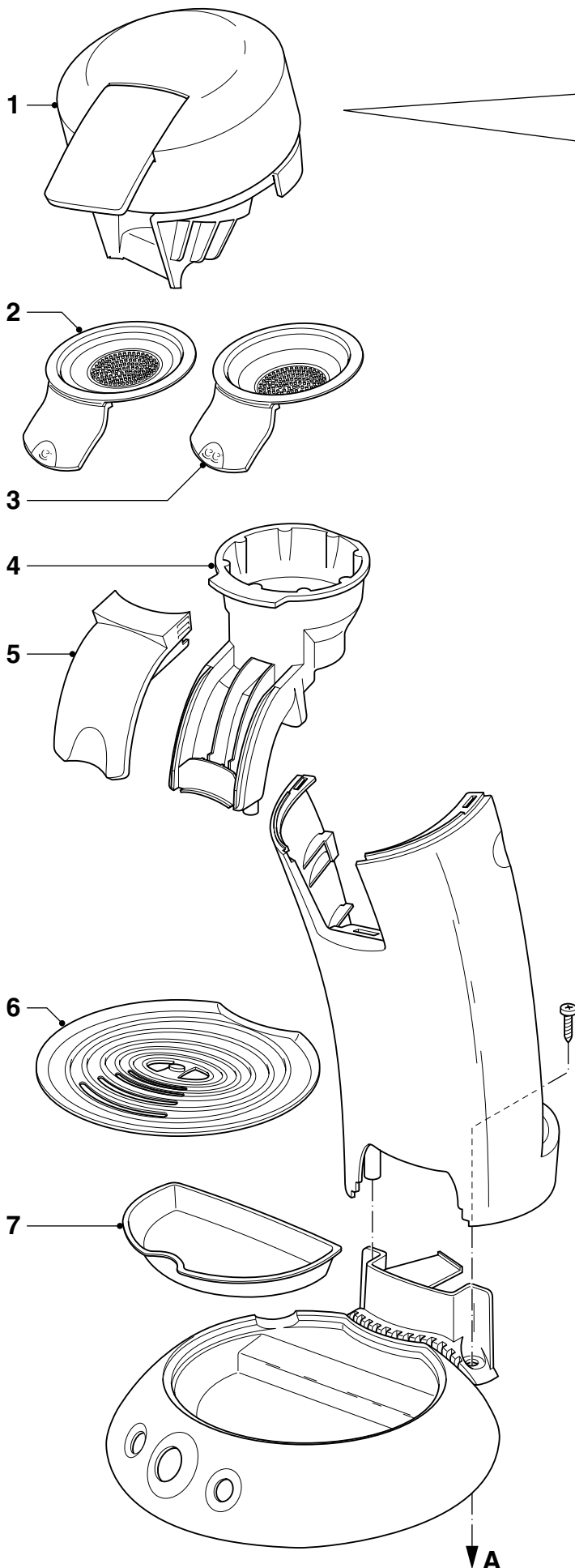
REPAIR INSTRUCTION**Descaling**

Regular descaling will prolong the life of your appliance and will guarantee optimal brewing results for a long time.

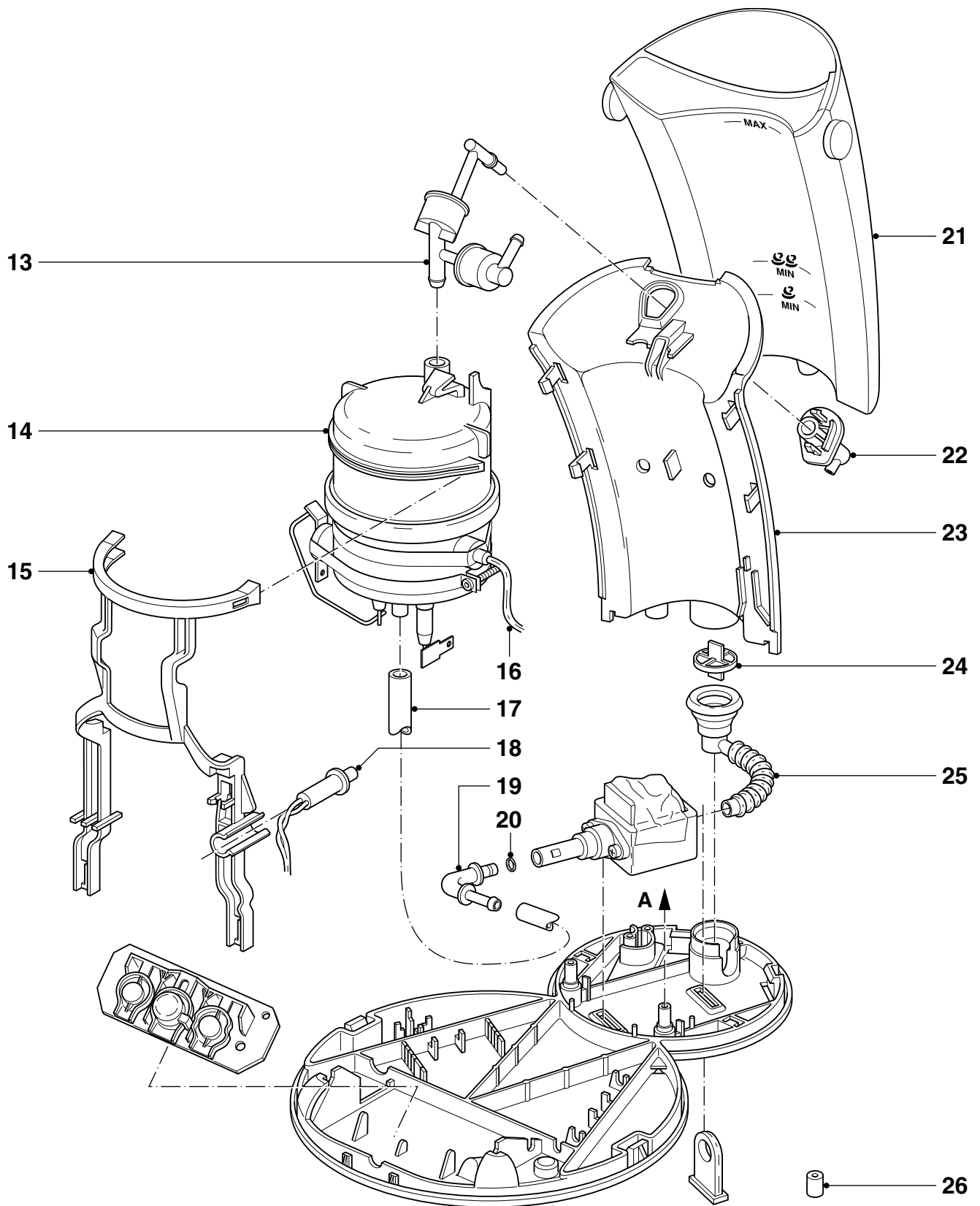
- Follow the steps in the section headed "Preparing the appliance for use" see DFU (Direction For Use manual).
- In stead of only water use a mix of water and Lemon sour.
- For the best result leave the mix of water and Lemon sour for about 30 minutes in the appliance, before you start with flushing the appliance.
- To get the best results repeat above mentioned step once or twice.
- When finished, flush the appliance twice by repeating the above mentioned steps only use water instead.

OPTIONAL (accessories)

- No specific issues



Pos	Service code	Description
1	4222 259 08570	Brewchamber assy compl. White
2	4222 259 08800	Pad holder single Vapour dusk
3	4222 259 08950	Pad holder double Vapour dusk
4	4222 247 35750	Foam chamber
5	4222 247 37560	Foam chamber cover Vapour dusk
6	4222 240 06360	Drip tray cover
7	4222 247 35790	Drip tray
8	4222 259 08680	Brewchamber Lid
9	4222 247 37520	Lever Vapour Dusk
10	4222 247 35820	Push Rod
11	4222 247 06810	Brew chamber radial seal
12	4222 259 06890	Distributor assy



Pos	Service code	Description
13	4222 259 01290	Valve (3way)
14	4222 259 03610	Boiler assy compl. 230 V / 1450 W
15	4222 247 35590	Boiler frame
16	4222 259 11160	Temp. sensor
17	4222 247 06840	Hose 0.25 meter
18	4222 246 16300	Water level sensor
19	4222 247 35880	Pump Elbo
20	4222 247 06860	O-ring (elbo)

Pos	Service code	Description	
21	4222 259 04390	Water tank assy	Aqua blue
22	4222 247 37550	Valve outlet	White
23	4222 247 37540	Back cover	White
24	4222 247 35870	Filter	
25	4222 247 06820	Water socket	
26	4213 247 05250	Foot	