

Service  
Service  
Service



Philips Domestic Appliances and Personal Care

# Service Manual

## PRODUCT INFORMATION

### Features

Iron, Azur

- Careeza soleplate
- Max. steam output 60 g/min
- Cord length 1.9 m

### Boiler

- Inox boiler
- Capacity 1 litre

## TECHNICAL INFORMATION

Voltage : 220 - 240 V

Frequency : 50 - 60 Hz

Power consumption : Iron : 800 W  
Boiler : 1200 W  
Pressure : 2.5 bar

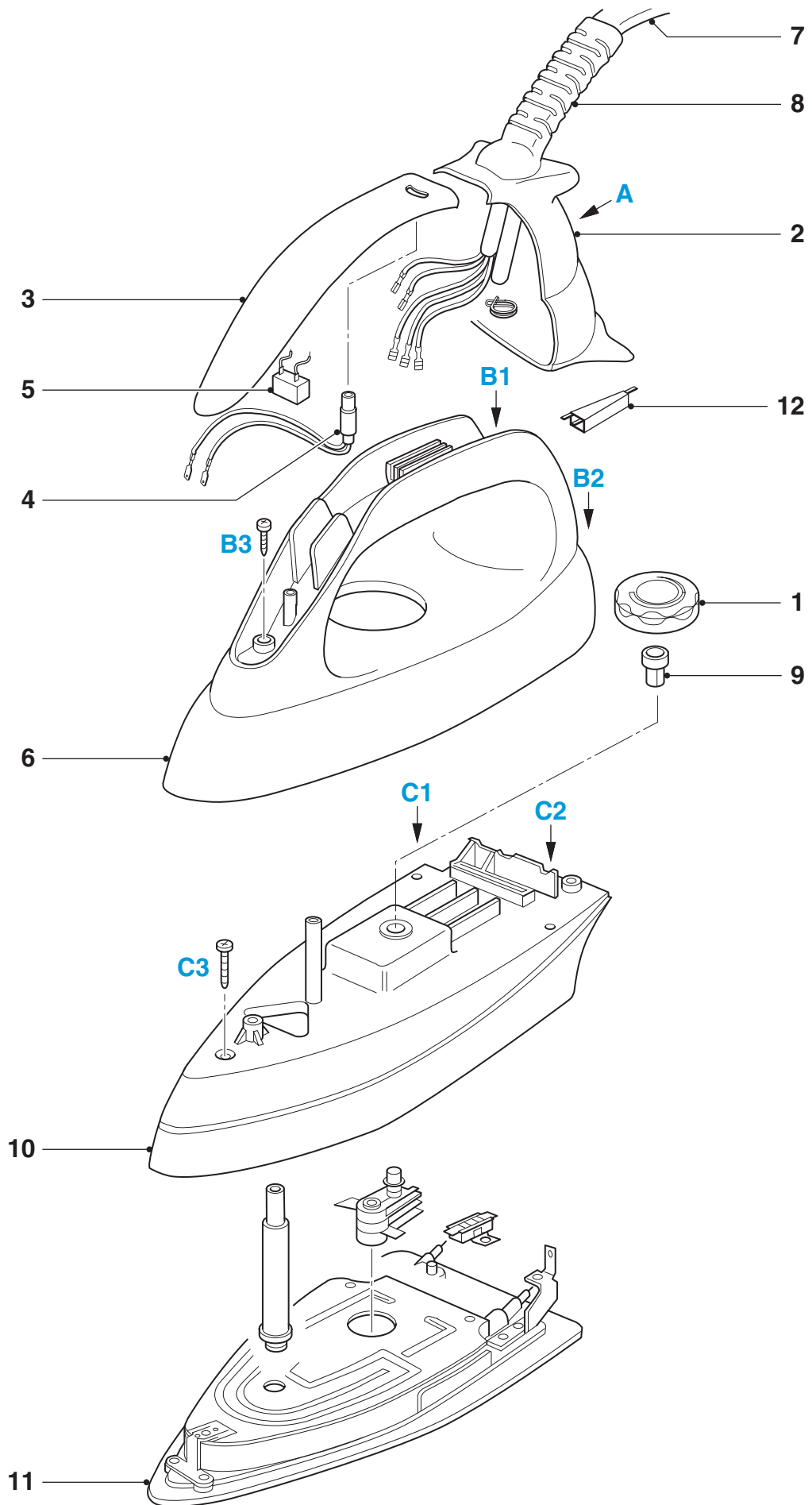
Water advice : Suitable for tap water use. However if the tap water in your area is very hard, we advise you to mix it with a equal portion of distilled water or to use distilled water only.

### Soleplate

Careeza is a multi layer chemical substance that gives an excellent gliding over various fabrics and better care for the garments.

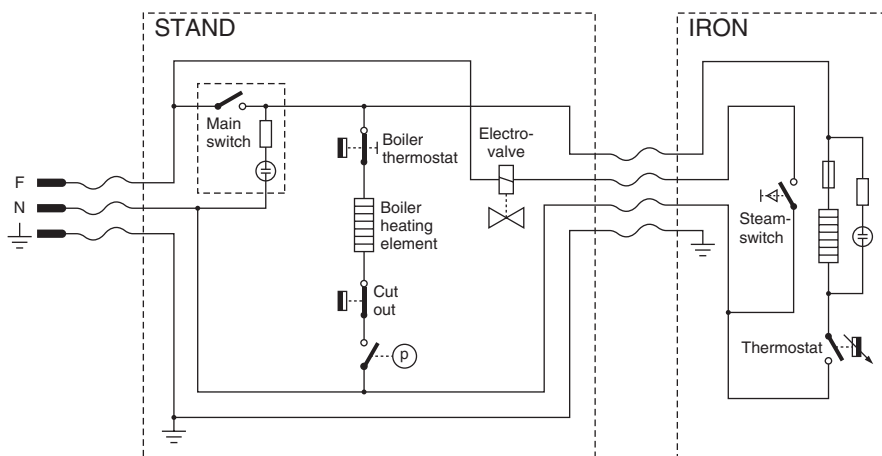
This product meets the requirement regarding interference suppression on radio and television.

EXPLODED VIEW IRON



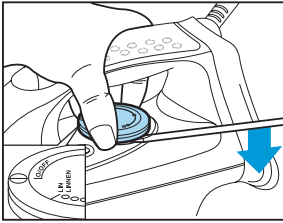
## PARTS LIST IRON

Pos	Description	Service code
1	Dial	9965 000 13233
2	Backplate	9965 000 13234
3	Inlay	9965 000 13235
4	Iron Lamp	9965 000 01686
5	Micro switch	9965 000 01888
6	Iron Handle	9965 000 13236
7	Intermediate cable + microswitch	9965 000 13237
8	Swivel	9965 000 13238
9	Thermostat bush	9965 000 01682
10	Iron skirt	9965 000 13245
11	Soleplate unit	9965 000 13246
12	Electrovalve trigger	9965 000 13255



## DISASSEMBLY ADVISE IRON

### REPLACE DIAL 1



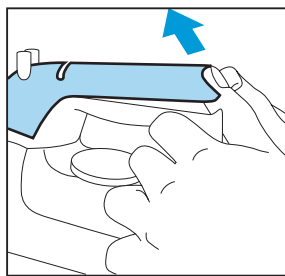
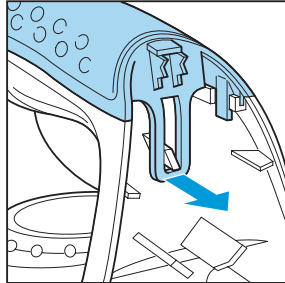
### REPLACE BACKPLATE 2

disassemble **DIAL 1**  
remove **screw A**  
remove **connection**  
remove **hose**

### REPLACE INLAY 3

### IRON LAMP 4

### MICRO SWITCH 5



### REPLACE IRON HANDLE 6

disassemble **DIAL 1**  
remove **screw A**  
remove **connection**  
remove **hose**  
disassemble **BACKPLATE 2**  
disassemble **INLAY 3**  
**IRON LAMP 4**  
**MICRO SWITCH 5**  
remove **screw B (3x)**

### REPLACE INTERMEDIATE CABLE 7

### SWIVEL 8

### THERMOSTAT BUSH 9

disassemble **DIAL 1**  
remove **screw A**  
remove **connection**  
remove **hose**  
disassemble **BACKPLATE 2**  
disassemble **INLAY 3**  
**IRON LAMP 4**  
**MICRO SWITCH 5**  
remove **screw B (3x)**  
disassemble **IRON HANDLE 6**

### REPLACE IRON SKIRT 10

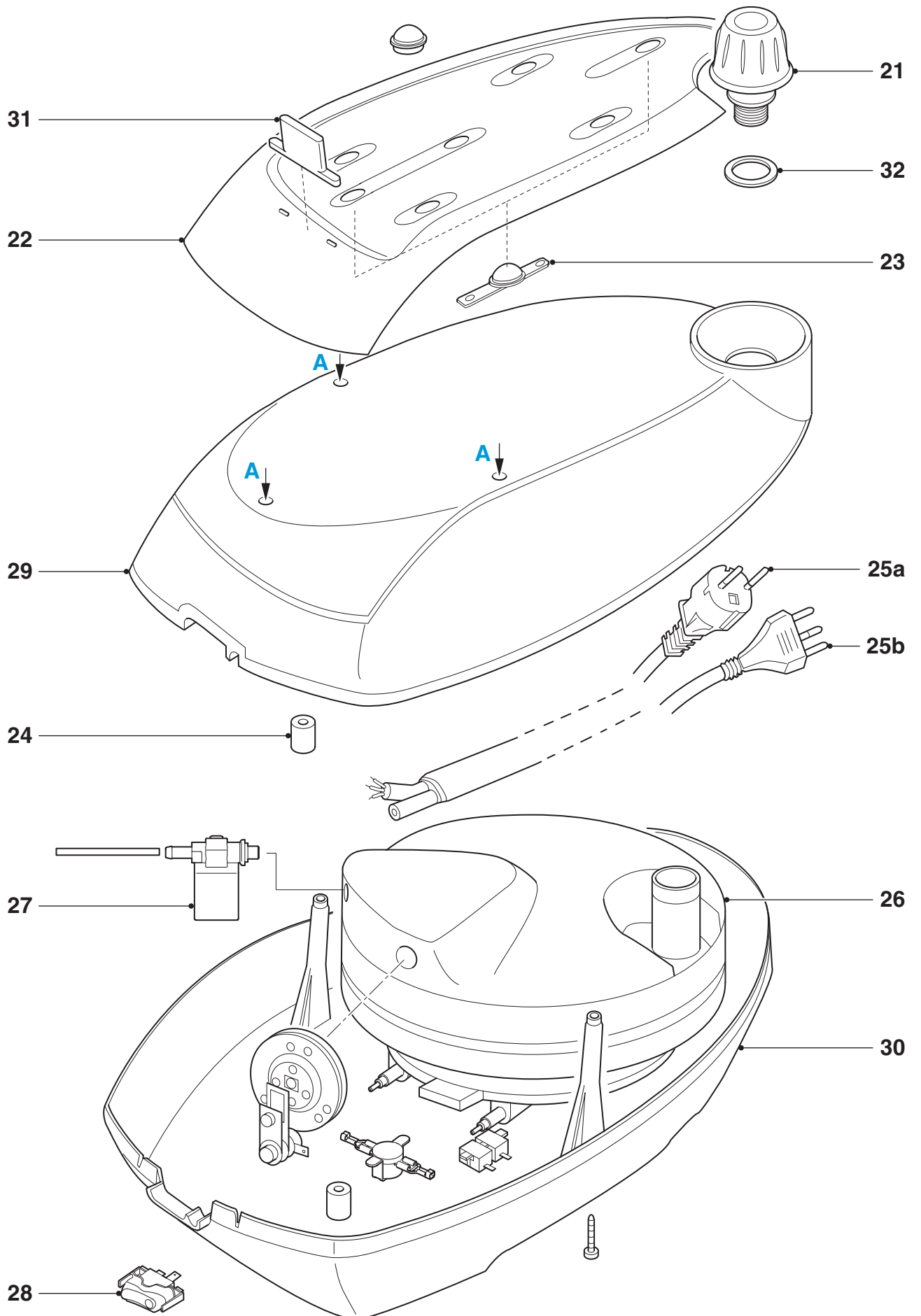
### SOLEPLATE UNIT 11

disassemble **DIAL 1**  
remove **screw A**  
remove **connection**  
remove **hose**  
disassemble **BACKPLATE 2**  
disassemble **INLAY 3**  
**IRON LAMP 4**  
**MICRO SWITCH 5**  
remove **screw B (3x)**  
disassemble **IRON HANDLE 6**  
disassemble **INTERMEDIATE CABLE 7**  
**SWIVEL 8**  
**THERMOSTAT BUSH 9**  
remove **screw C (3x)**

#### Notes :

For disassembly you will need a Torx screwdriver 362 TR T20 x 100.

**EXPLODED VIEW STAND**



## PARTS LIST + DISASSEMBLY ADVICE STAND

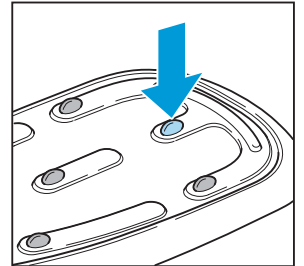
Pos	Description	Service code
21	Safety cap	9965 000 13247
22	Complete tray	9965 000 13248
23	Tray rubber foot	9965 000 13249
24	Boiler rubber foot	4822 462 71999
25a	Intermediate supply cable (Europe)	9965 000 01793
25b	Intermediate supply cable (Italy)	9965 000 01792
26	Inox boiler unit	9965 000 13250
27	Electrovalve	4822 218 11561
28	Main switch	9965 000 13251
29	Superior stand printed GC 6022	9965 000 13257
30	Inferior stand	9965 000 13258
31	Tray stopper prevent Iron from sliding	9965 000 13254
32	Filling hole gasket	9965 000 01782

### ADJUSTMENT AND CONTROLS

- To avoid leakage of the sealings and damage to the components in and on the boiler, **NEVER** clean the boiler with vinegar, a descaling agent or other chemicals.
- The boiler doesn't contain serviceable parts. **Never disassemble the boiler body or components and/or components on and in the boiler.**
- The boiler is required to be rinsed after every ten times use.
- **ALWAYS REPLACE BOILER (Pos 26) WHEN:**
  - \* the mechanical safety valve has been activated.
  - \* the boiler thermostat or hand –resettable safety thermostat are open.
  - \* the electrovalve fails or the sieve is soiled with scale.
- **After the product has been repaired, it should function properly and has to meet the safety requirements as laid down and officially established at this moment.**

### SAFETY CAP 21

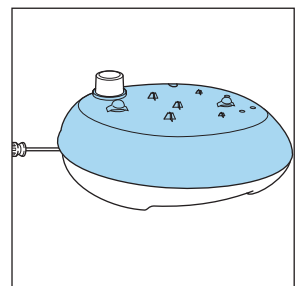
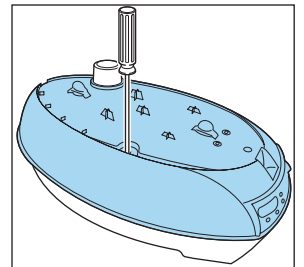
### COMPLETE TRAY 22



Note: pressure fixation rubber through the tray.

### SUPERIOR STAND PRINTED 29

Remove screws **A (4x)**



Remove the SUPERIOR STAND and you will see the respective parts of the Boiler.