

Service
Service
Service



Philips Domestic Appliances and Personal Care

Service Manual

PRODUCT INFORMATION

Features

Iron

- Careeza soleplate
- Max steam output 70 grams/min
- Cord length 1.9 m

Boiler

- Inox boiler
- Capacity 1 litre
- Stainless steel tray assy
- Ergonomic backrest

Safety Information

- This product meets the requirements regarding interference suppression on radio and TV.
- After the product has been repaired, it should function properly and has to meet the safety requirements as officially laid down at this moment.

TECHNICAL INFORMATION

Voltage : 220 - 240 V

Frequency : 50 - 60 Hz

Power consumption : Iron : 800 W
Boiler : 1200 W
Pressure : 2.5 bar

Dimension (F-box) : 41 x 38 x 20 cm

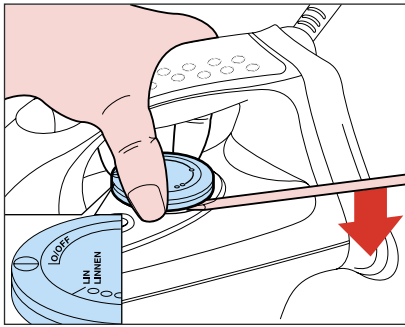
Weight : 3850 grams

Water advice : Suitable for tap water use. However if the tap water in your area is very hard, we advise you to mix it with a equal portion of distilled water or to use distilled water only.

Soleplate

Careeza is a multi layer chemical substance that gives an excellent gliding over various fabrics and better care for the garments.

REPLACE DIAL 1



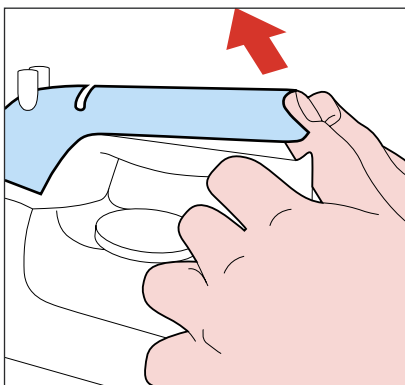
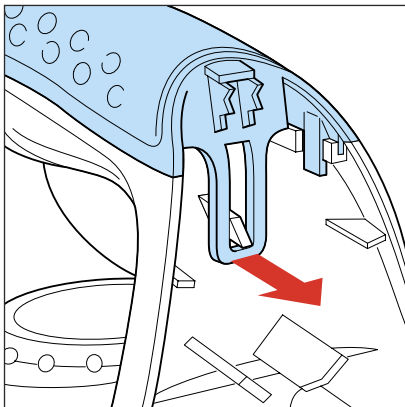
REPLACE BACKPLATE 2

- disassemble DIAL 1
- remove screw A
- remove connection
- remove hose

REPLACE INLAY 3

IRON LAMP 4

MICRO SWITCH 5



REPLACE IRON HANDLE 6

- disassemble DIAL 1
- remove screw A
- remove connection
- remove hose
- disassemble BACKPLATE 2
- disassemble INLAY 3
- disassemble IRON LAMP 4
- disassemble MICRO SWITCH 5
- remove screw B (3x)

REPLACE INTERMEDIATE CABLE 7

SWIVEL 8

THERMOSTAT BUSH 9

- disassemble DIAL 1
- remove screw A
- remove connection
- remove hose
- disassemble BACKPLATE 2
- disassemble INLAY 3
- disassemble IRON LAMP 4
- disassemble MICRO SWITCH 5
- remove screw B (3x)
- disassemble IRON HANDLE 6

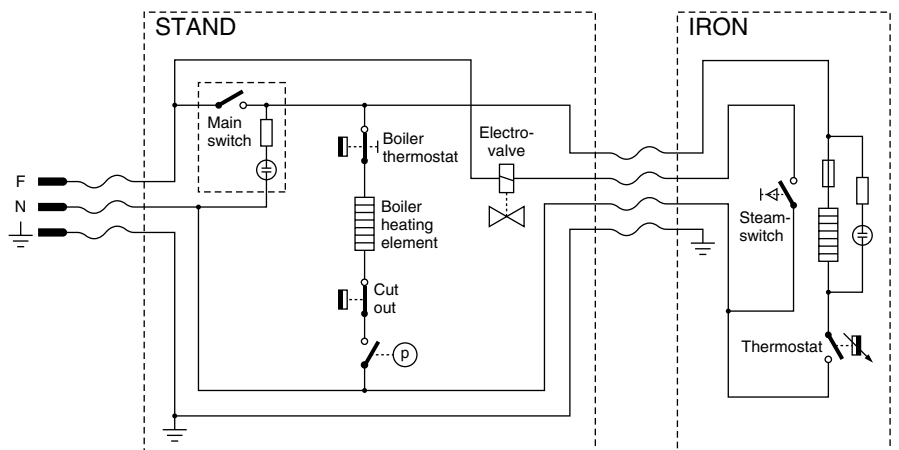
REPLACE IRON SKIRT 10

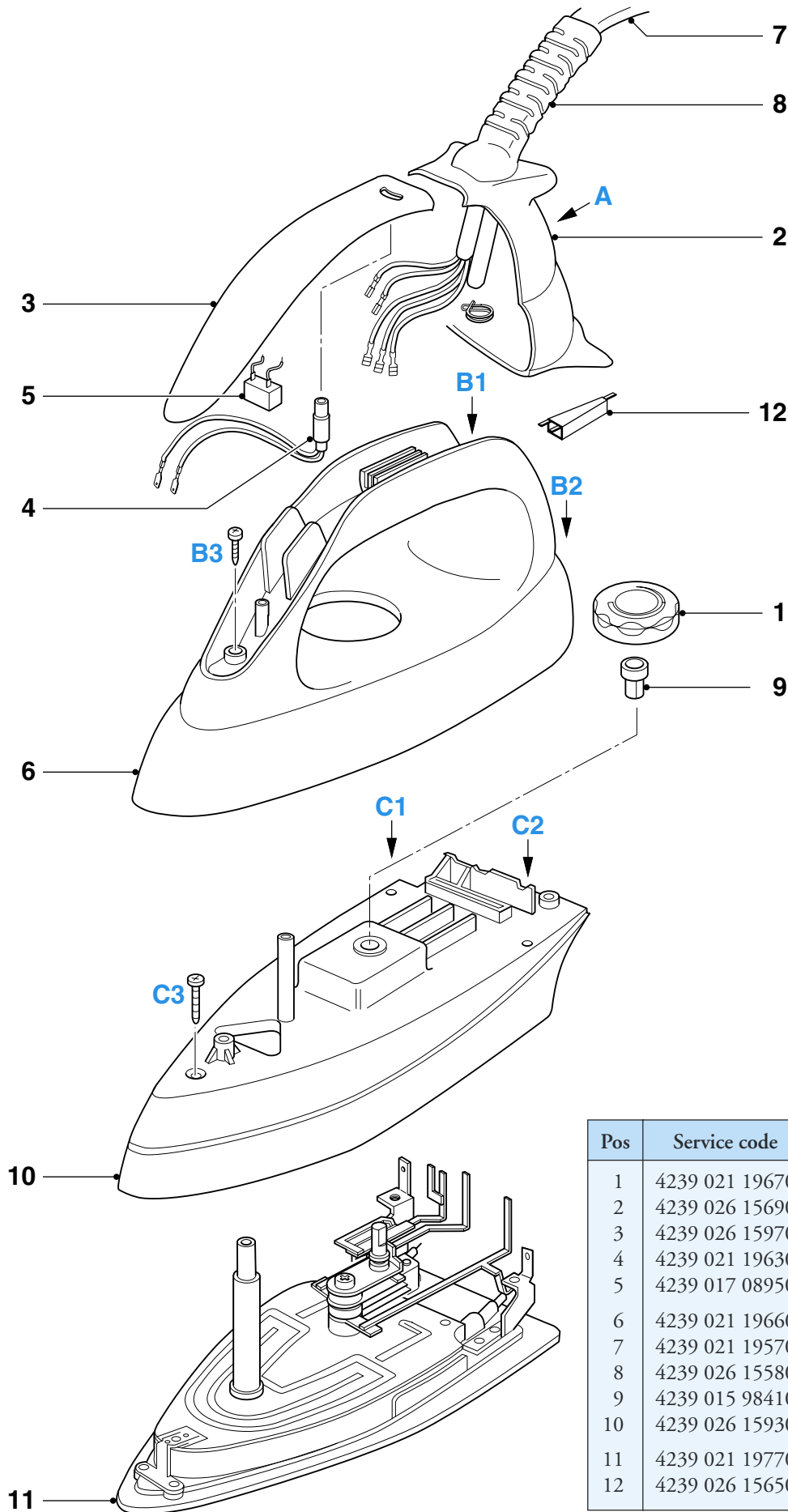
SOLEPLATE UNIT 11

- disassemble DIAL 1
- remove screw A
- remove connection
- remove hose
- disassemble BACKPLATE 2
- disassemble INLAY 3
- disassemble IRON LAMP 4
- disassemble MICRO SWITCH 5
- remove screw B (3x)
- disassemble IRON HANDLE 6
- disassemble INTERMEDIATE CABLE 7
- disassemble SWIVEL 8
- disassemble THERMOSTAT BUSH 9
- remove screw C (3x)

REPAIR INSTRUCTIONS - IRON

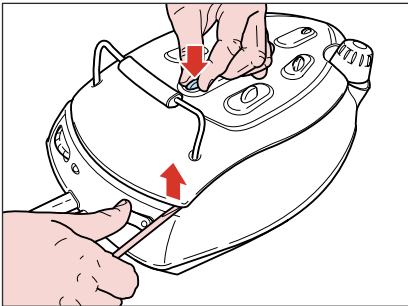
- For disassembly, you will need a Torx screwdriver: 362 TR T20 x 100





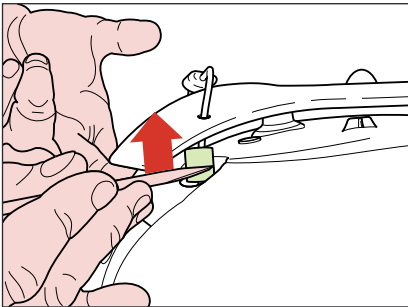
Pos	Service code	Description
1	4239 021 19670	Dial
2	4239 026 15690	Backplate
3	4239 026 15970	Inlay
4	4239 021 19630	Iron Lamp
5	4239 017 08950	Micro switch
6	4239 021 19660	Iron Handle
7	4239 021 19570	Intermediate cable + micro switch
8	4239 026 15580	Swivel
9	4239 015 98410	Thermostat bush
10	4239 026 15930	Iron skirt
11	4239 021 19770	Soleplate unit
12	4239 026 15650	Electrovalve trigger

SAFETY CAP 21
COMPLETE TRAY 22



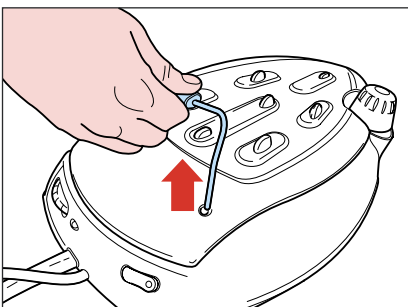
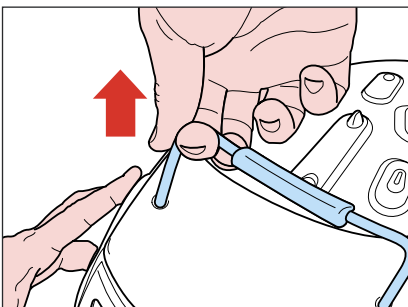
Press tray anchorage rubber 23 through the tray

BACK REST ASSY 31
HOSE CLAMP 32



With tray lifted, use a screw driver to upwardly unplug hose clamps at the foot of back rest.

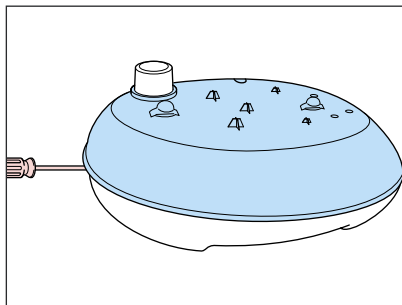
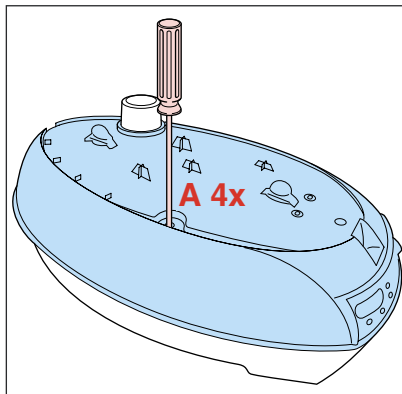
Note: Hose clamps **MUST BE** unplugged before back rest can be removed.



When both hose clamps are unplugged, remove back rest by pulling one leg first, then the other leg.

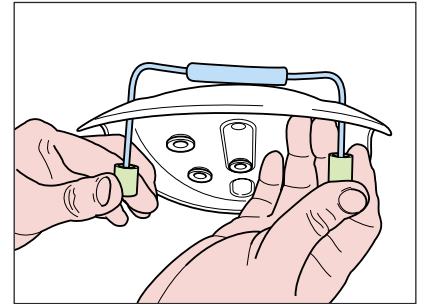
SUPERIOR STAND PRINTED 29)

Remove screws A (4x)

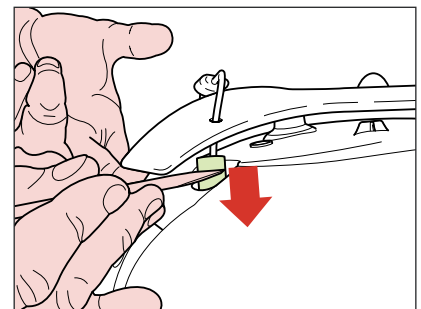


Remove the SUPERIOR STAND and you will see the respective parts of the Boiler.

REASSEMBLY COMPLETE TRAY 22



Insert back rest through the complete tray, hose clamps added to the legs of the back rest as shown above.

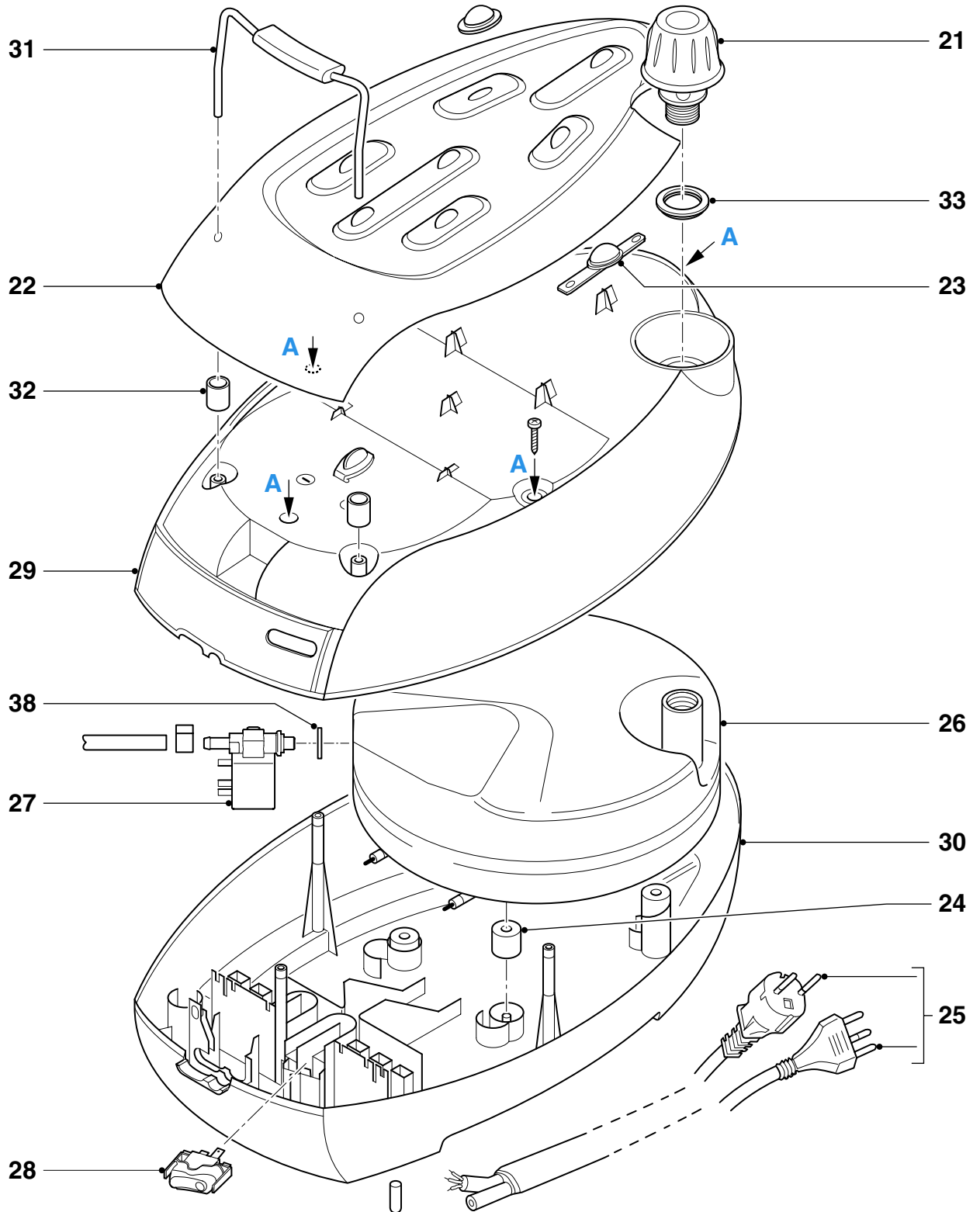


REMEMBER to plug in the hose clamps after inserting back rest to the superior stand.

Note: The hose clamps lock the back rest into position.

REPAIR INSTRUCTIONS - STAND

- For disassembly, you will need a Torx screwdriver 362 TR T20 x 100
- Be careful of the sharp edges of the stainless steel tray assy. a **thick glove** when removing the tray assy.
- To avoid damage to the sealings and components of the boiler, **NEVER** clean the boiler with vinegar, descaling agent or other chemicals.
- The boiler does not contain serviceable parts. Never disassemble and service any components on the boiler assy.
- The boiler is required to be rinsed after every 10 times usage.
- **ALWAYS** replaced boiler assy (Pos 26) when
 - mechanical safety valve at the cap has been activated
 - thermal fuse/thermostat at boiler bottom is open



Pos	Service code	Description
21	4239 026 15630	Safety cap
22	4239 021 19590	Complete tray
23	4239 015 55310	Tray rubber foot
24	4239 015 55280	Boiler rubber foot
25	4239 000 09150	Intermediate supply cable (Europe)
	4239 000 09260	Intermediate supply cable (Italy)
26	4239 021 19990	Boiler assy
27	4239 010 08870	Electrovalve

Pos	Service code	Description
28	4239 017 08810	Main switch
29	4239 021 20060	Superior stand
30	4239 026 15980	Inferior stand
31	4239 021 19650	Back rest assy
32	4239 026 00230	Hose clamp
33	4239 015 55300	Filling hole gasket
38	4239 017 09151	Teflon ring