



PHILIPS

SERVICE

Cryogenic Equipment / Electro Chemistry /
Electron Optics / Electronic Weighing /
Industrial Data Systems / Numerical Control /
Philips Pollution Measuring / Radiation Measuring Equipment /
Test and Measuring Equipment / Welding Equipment /
X-Ray Analytical Equipment

equipment for science and industry

770927

TEST AND MEASURING EQUIPMENT

OSC13

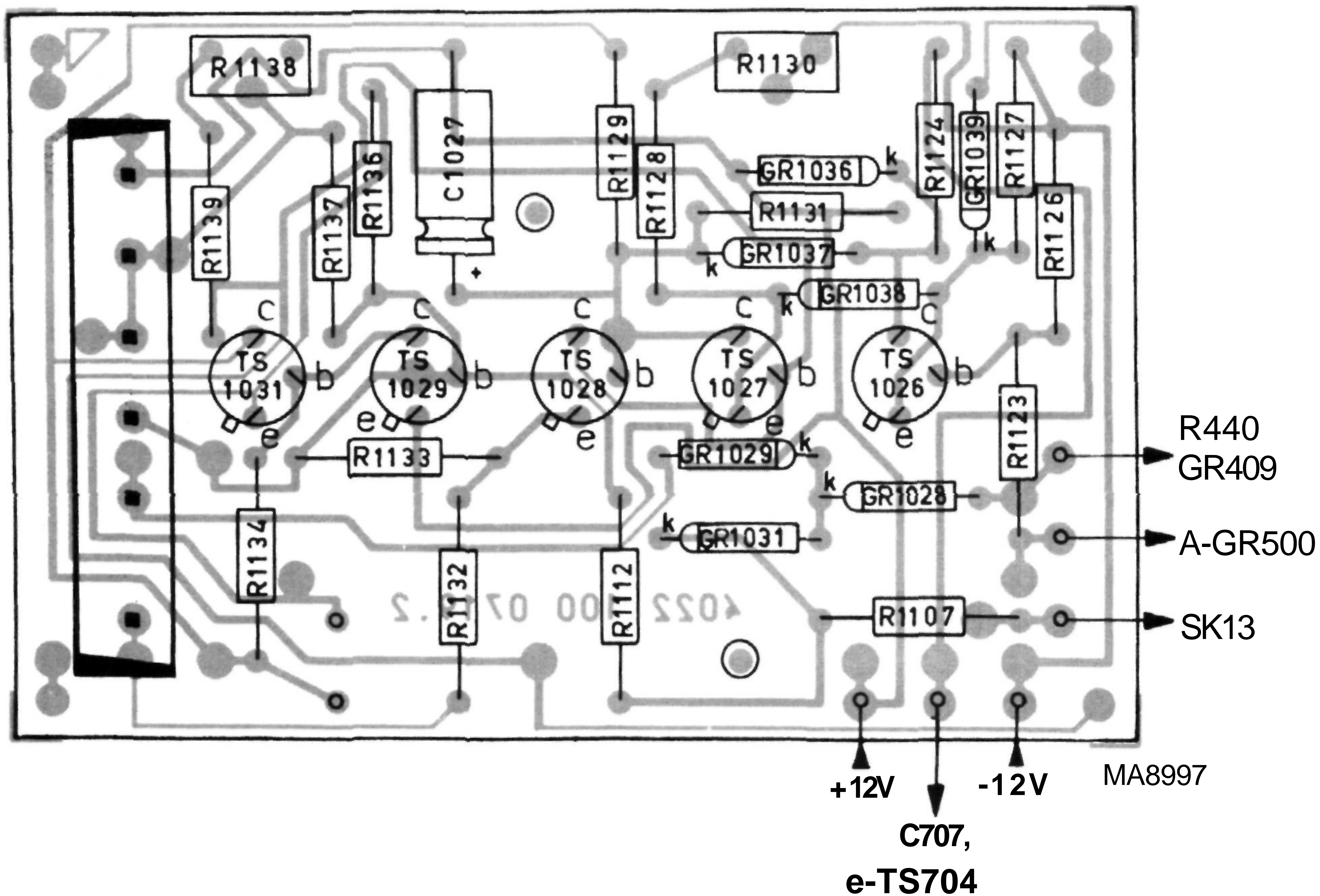
OSCILLOSCOPE PM 3234

Already published: —

Subject: Automatic brightness control unit,

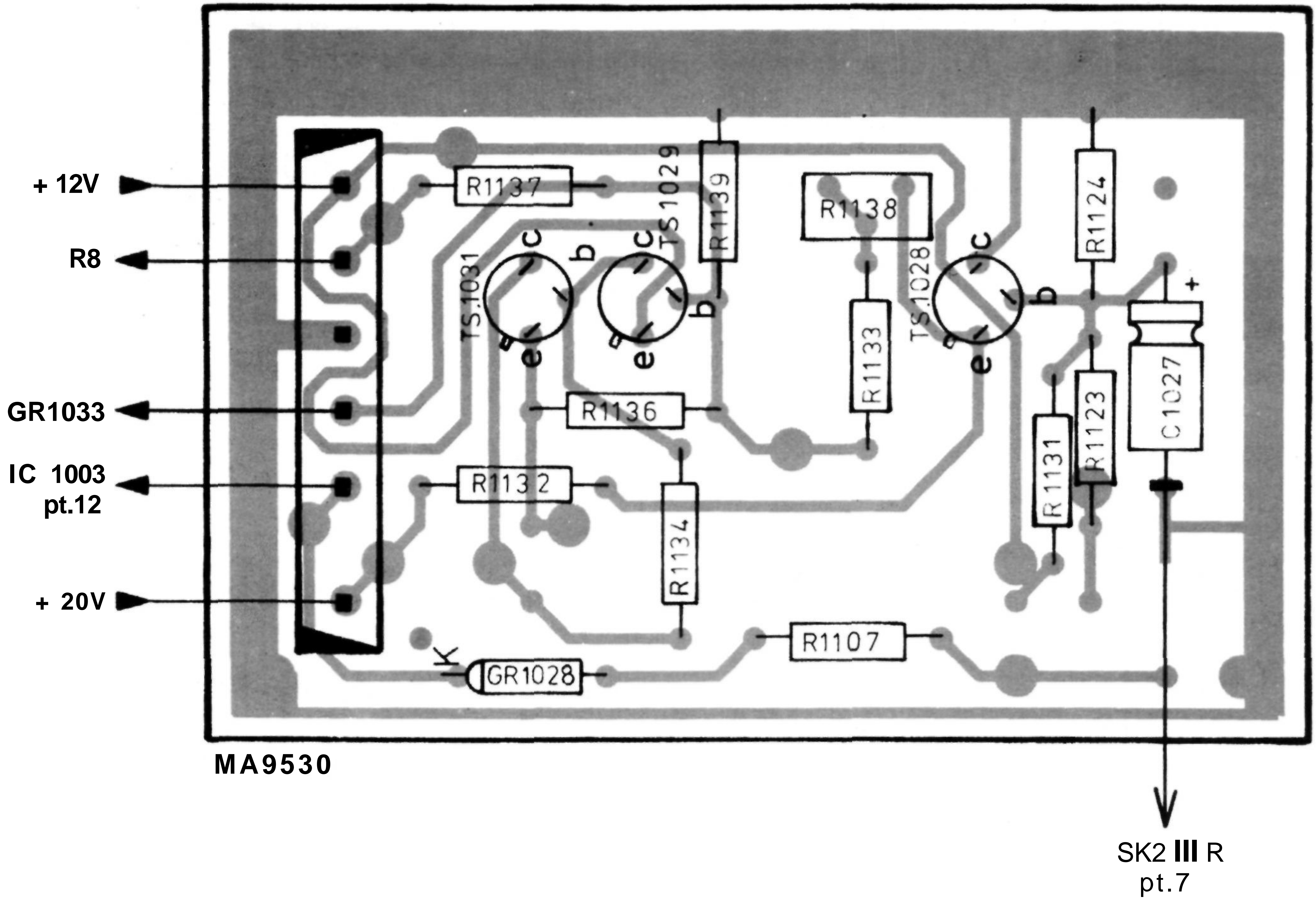
During manufacturing the /06 version of the PM 3234 a new type of automatic brightness control unit is introduced.

In the PM 3234/07/08/09 manual 9499 440 16902 is still mentioned the service ordering number 5322 216 54105 (item 71 on page 121) of the old version.



OLD VERSION

The new version of the automatic brightness control unit has the service ordering number
5322 216 54184



MA9530

NEW VERSION