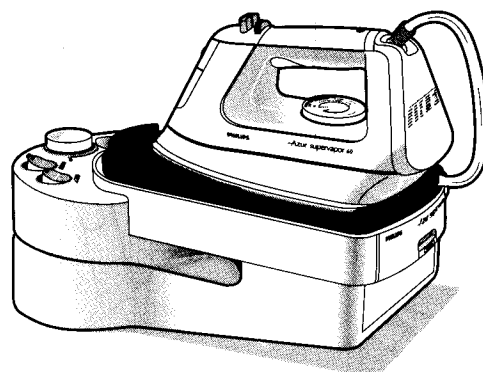


Service
Service
Service



HD 1885
HD 1895
HD 1896
HI 940
HI 944

Philips Domestic Appliances and Personal Care

Service Manual

Service manual 4822 729 21339 herewith cancels

PRODUCT INFORMATION

The HI 940 and HI 944 are the successors of the HD 1895 and HD 1896.

They only differ with regard to colours.

The colours of the HD 1895 and HD 1896 were white and blue.

The colours of the HI 940 and HI 944 are white and green.

	HD 1885	HD 1895	HD 1896	HI 940	HI 944
soleplate	linished	inox	inox	inox	inox
variable steam	-	-	x	-	x
shot of steam	-	-	x	-	x
jet of steam	-	-	x	-	x
max. steam output	60 gr/min	60 gr/min	70 gr/min	60 gr/min	70 gr/min

Voltage : 220 - 240 V

Power consumption : Boiler 1400 Watts
Iron 800 Watts

Soleplate temp. : Dial at max. position : 225 ± 25 °C

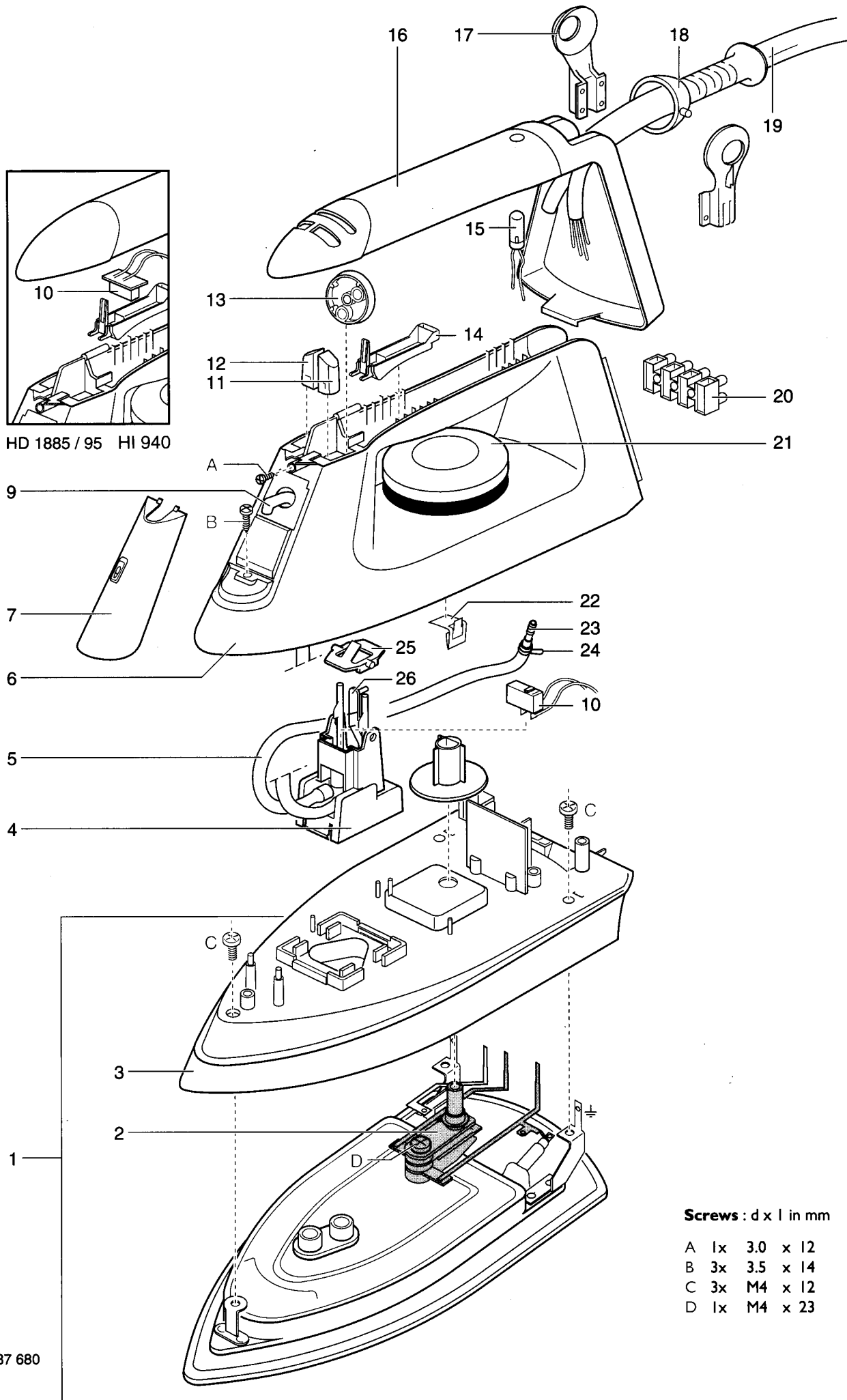
Features : contents boiler : 1.0 litre
: length steam hose 1.7 m
: length cordset 2.0 m

In case the specific components of the HD 1885 HD 1895 and HD 1896 are not available anymore, these components will be replaced by the components of the HI 940 and HI 944 in deviating colours.

Product meets the requirements regarding interference suppression on radio and TV.



EXPLODED VIEW IRON



HD 1885 / 95 HI 940

Screws : d x l in mm

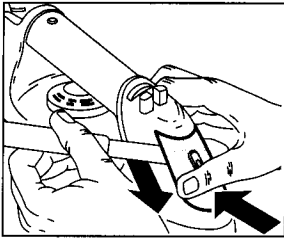
- A 1x 3.0 x 12
- B 3x 3.5 x 14
- C 3x M4 x 12
- D 1x M4 x 23

PARTS LIST IRON

pos	description	service code	HD 1885/95	HD 1896	HI 940	HI 944
1	soleplate unit 220 - 240 V	4822 259 10133	x	-	-	-
	soleplate unit 220 - 240 V	4822 259 10134	-	x	-	-
	soleplate unit 220 - 240 V	4822 259 10201	-	-	x	-
	soleplate unit 220 - 240 V	4822 259 10194	-	-	-	x
2	thermostat	4822 282 30238	x	x	x	x
3	skirt	4822 442 00608	x	-	x	-
	skirt	4822 441 80979	-	x	-	-
	skirt	4822 442 00414	-	-	-	x
4	deviator assy	4822 360 10138	-	x	-	x
5	steam hose	4822 690 80134	-	x	-	x
6	handle printed	4822 418 40949	x	x	-	-
	handle printed	4822 498 10587	-	-	x	x
7	nose cover	4822 441 80987	x	-	x	-
	nose cover	4822 441 80981	-	x	-	x
9	jet of steam hose	4822 690 80133	-	x	-	x
10	microswitch	4822 282 30239	x	x	x	x
11	jet of steam button white	4822 410 62996	-	x	-	-
12	shot of steam button white	4822 410 62967	-	x	-	-
11+12	jet + shot of steam button green	4822 410 10555	-	-	-	x
13	steam dial	4822 412 40235	-	x	-	-
	steam dial	4822 410 10556	-	-	-	x
14	steam command lever	4822 410 62968	x	x	x	x
15	pilot lamp 220 - 240 V	4822 134 41161	x	x	x	x
16	inlay	4822 441 80978	x	-	-	-
	inlay	4822 441 80982	-	x	-	-
	inlay	4822 442 00415	-	-	x	-
	inlay	4822 442 00413	-	-	-	x
17	swivel ear	4822 325 60391	x	x	x	x
18	ball swivel	4822 325 60389	x	x	x	x
19	steam hose / cable	4822 530 21058	x	x	x	x
20	terminal block (4 pole)	4822 290 61189	x	x	x	x
21	thermostat dial	4822 412 40236	x	x	-	-
	thermostat dial	4822 410 10557	-	-	x	x
22	dial rattle	4822 492 71445	x	x	x	x
23	hose joint	4822 530 40513	x	x	x	x
24	spring clamp	4822 492 71001	x	x	x	x

DISASSEMBLY ADVICE IRON

NOSE COVER 7



LAMP 15

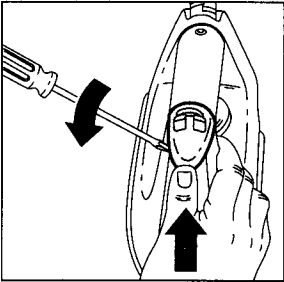
MICROSWITCH 10

STEAM DIAL 13

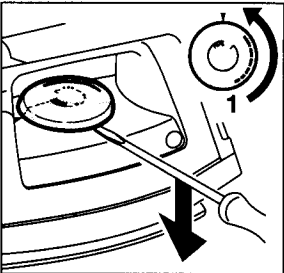
**JET OF STEAM
BUTTON 11**

**SHOT OF STEAM
BUTTON 12**

remove **NOSE COVER 7**
remove **SCREW A**



DIAL 21



HANDLE 6

SOLEPLATE 1

MICROSWITCH 10

DEVIATOR 5

THERMINAL BLOCK 20

**JET OF STEAM
HOSE 11**

remove **DIAL 21**
remove **NOSE COVER 7**
remove **INLAY 16**
remove **STEAM DIAL 13**
remove **BUTTON 11**
remove **BUTTON 12**
remove **SCREWS THER-
MINAL BLOCK 20**
remove **STEAM HOSE 19**
remove **CLAMP 24**
remove **SCREW B 3x**

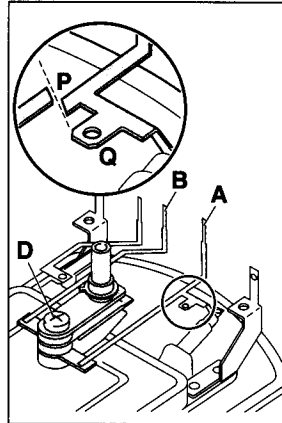
THERMOSTAT 2

SKIRT 3

remove **DIAL 21**
remove **NOSE COVER 7**
remove **INLAY 16**
remove **STEAM DIAL 13**
remove **BUTTON 11**
remove **BUTTON 12**
remove **SCREWS THER-
MINAL BLOCK 20**
remove **STEAM HOSE 19**
remove **THERMINAL
BLOCK 20**
remove **CLAMP 24**
remove **SCREW B 3x**
remove **SCREW C 3x**
remove **HANDLE 6**

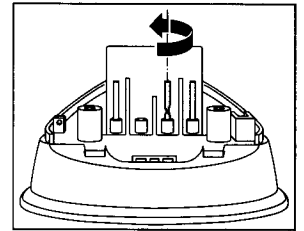
THERMOSTAT 2 ONLY

cut **CONDUCTOR A**
at location **P**
remove **SCREW D**



**ASSEMBLY
REQUIREMENTS
THERMOSTAT 2**

Instead of metal conductor A,
the new thermostat has a wire
with AMP clamp.
After fixing screw D, connect
the AMP clamp to tag Q.
After assembling SKIRT 3
ALWAYS turn conductor B
through 180 degrees.

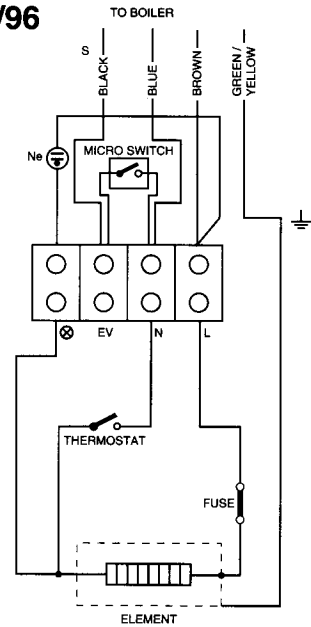


ADJUSTMENT AND CONTROLS

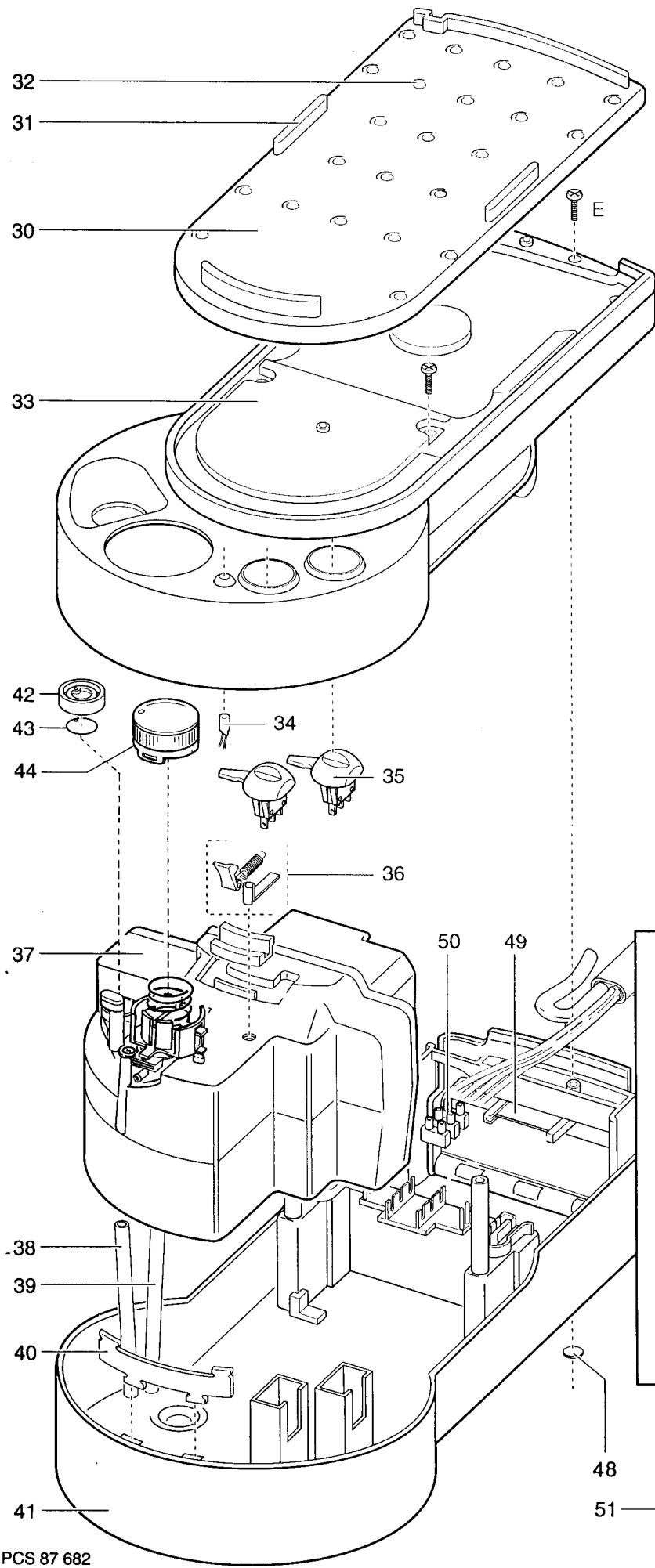
Thermostat 2

Thermostat (2) supplied as a spare part or fitted to the sole plate
(1) has already been adjusted by the supplier and secured by glue.
**To avoid disfunction of the iron , NEVER readjust the
thermostat.**

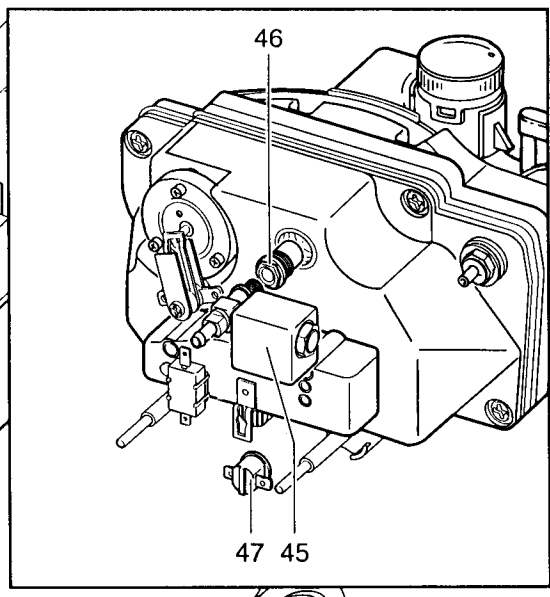
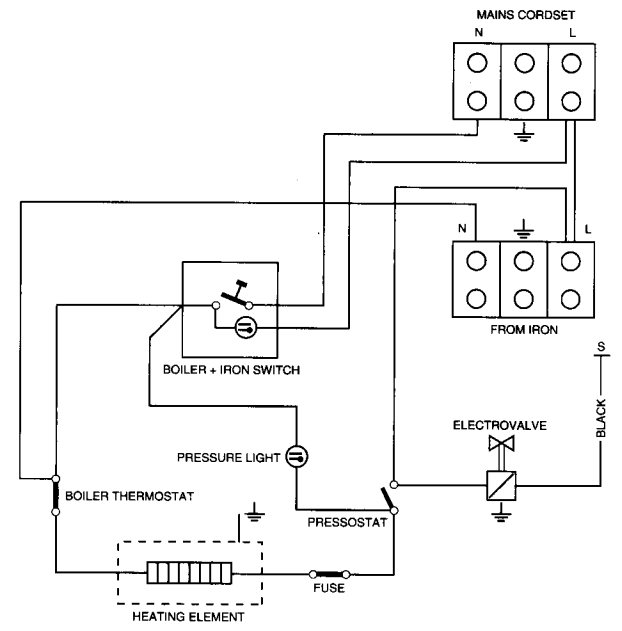
Iron HD 1885/95/96



EXPLODED VIEW STAND



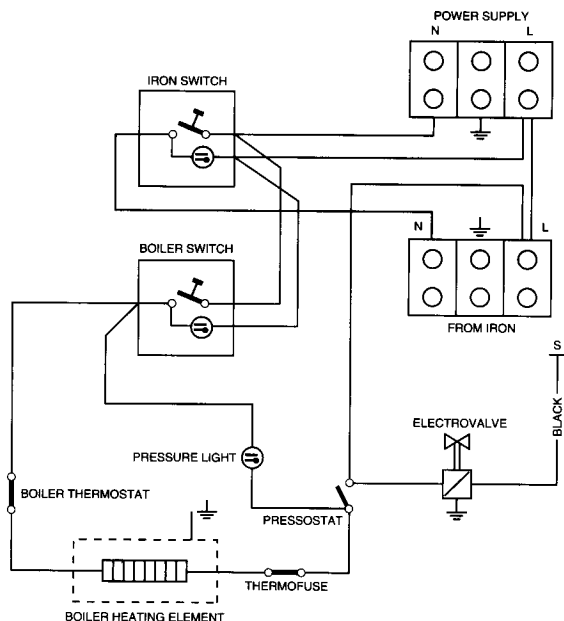
Boiler HD 1885/95 HI 940



Screws : d x l in mm
E 4x T10 x 16

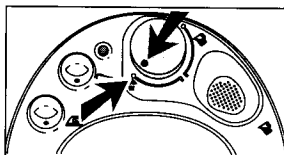
PARTS LIST + DISASSEMBLY ADVISE STAND

Boiler HD 1896 HI 944

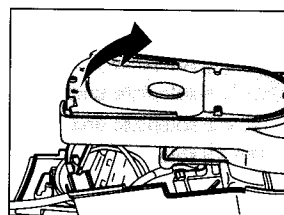


- SWITCH 35**
- LAMP 34**
- COVER SMART KNOB 44**
- SEALING 42**
- FILLING MEMBRANE 43**
- BOILER 37**
- ELECTRO VALVE 45**
- SIEVE 46**
- BOILER THERMOSTATE 47**
- CORDSET 51**
- HOSE 19**

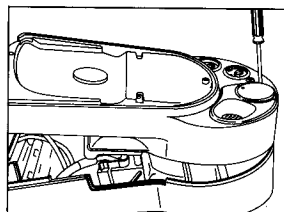
remove **TRAY 30**
remove **TORX SCREW E (T-20)**



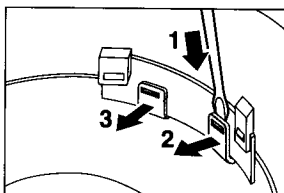
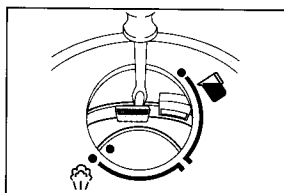
set **SMARTKNOB** in position



lift upper housing



put screwdriver in hole



release 2 lower snaps at the inside

pos	description	sercive code
30	tray HD 1885/95, HI 940	4822 441 80989
	tray HD 1896	4822 441 80988
	tray HI 944	4822 444 10186
31	rubber (long) HD 1885/95, HI 940	4822 452 10336
32	rubber (round) HD 1885/95, HI 940	4822 452 10335
33	upper housing HD 1885/95	4822 441 80991
	upper housing HI 940	4822 441 11818
	upper housing HD 1896	4822 441 80992
	upper housing HI 944	4822 441 11819
34	pilot lamp 220 - 240 V	4822 134 41159
35	switch assey 220 - 240 V	4822 273 20377
36	switch stopping cam	4822 413 41832
37	boiler body + fuse, boiler thermostat, pressostat, sieve, electro valve, smart knob, wiring and switch stopping cam	4822 418 40996
38	vent-hose (elbow)	4822 530 21061
39	vent hose	4822 530 21059
40	fixing strip	4822 441 80985
41	lower housing (incl. door) HD 1885/95/96	4822 441 80984
	lower housing (incl. door) HI 940/44	4822 441 11737
42	sealing ring	4822 466 62438
43	filling hole membrane	4822 360 40516
44	cover smart knob	4822 462 10809
45	electro valve + O-ring, 220 - 240 V	4822 360 50902
46	sieve assey	4822 360 50983
47	boiler thermostat	4822 282 30242
48	sticking foot	4822 462 71977
49	lock prt.	4822 441 80986
50	terminal block (3 pole)	4822 290 61192
51	cordset Euro plug	4822 321 11031
	cordset Italian plug	4822 321 11029
	cordset English plug	4822 321 11028

NOTES

- Products produced before production week 9439 must be replaced.
No service shall be carried out on these products.
The year/week code is indicated on the bottom of the Stand.
- Products produced during the period week 9438 until 9512 have a sieve (46) with a plastic housing.
Always replace this sieve with plastic housing by a new one from our regular stock, which has a housing of brass.
- **THE COMPLETE BOILER MUST BE REPLACED WHEN :**
 - * the safety valve has been activated.
 - * the pressostat doesn't function properly.
 - * the smart knob failed or doesn't function properly.
 - * the thermal fuse is open, because the boiler has been subjected to too high temperatures.
- To fix the adjustment of the pressostat, the set screw of the pressostat has been secured by means of glue.
To avoid dangerous situations , NEVER try to adjust or readjust the pressostat.
- To avoid leakage of the sealings and damage to the components in and on the boiler,
NEVER CLEAN THE BOILER WITH VINEGAR , A DESCALING AGENT OR OTHER CHEMICALS.
- After the product has been repaired, it should function properly and has to meet the safety requirements, as laid down and officially established at this moment.