



Philips Domestic Appliances and Personal Care

Service Manual

SAP coding HD 2420

PRODUCT INFORMATION

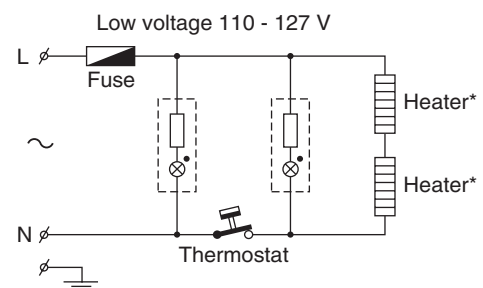
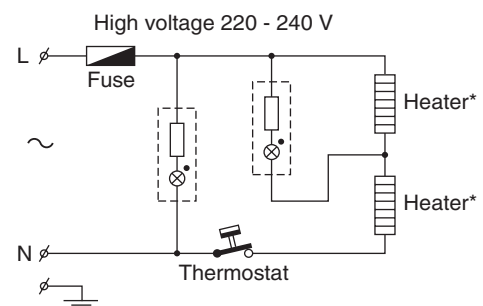
Voltage	: 110 - 127 V / 220 - 240 V
Frequency	: 50 - 60 Hz
Power Consumption	: 900 W
Color setting	: White / Blue Ivory / Blue

REPAIR INSTRUCTION:

If the bottom handle cover position number 8 has to be opened or replaced please take care of the following:

Before the Bottom cover including Temperature knob can be assembled again, first remove the Temperature knob. After the bottom cover has been placed back and the screws are tightened, then place the temperature knob on its place.

Take notice that the Temperature adjust shaft position 20, fits in the rectangular hole of the temperature knob.

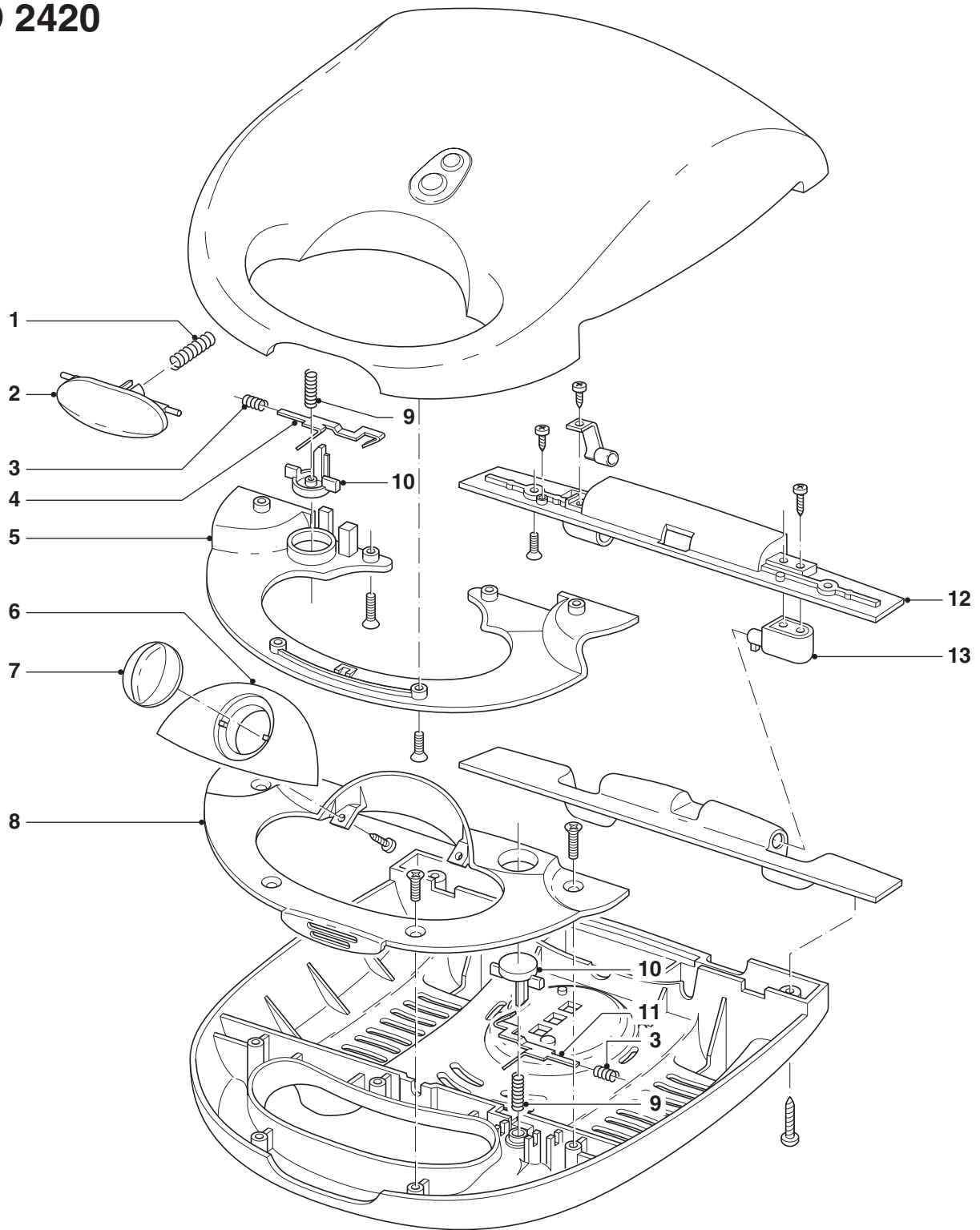


* Please notice that the upper- and lower heating elements are connected in series. (see electrical diagram). Therefore the voltage and power from one element is the half of the rated voltage and power of the appliance.

This product meets the requirements regarding interference suppression on radio and TV.

After the product has been repaired, it should function properly and has to meet the safety requirements as officially laid down at this moment.

HD 2420



Pos	Description	Service code
1	Handle clip spring	9965 000 15507
2	Handle clip	9965 000 15508
3	Releaser return spring	9965 000 15509
4	Top plate releaser	9965 000 15510
5	Top handle cover	9965 000 15511
6	Control panel	9965 000 15512
7	Temp knob	9965 000 15513
8	Bottom Handle cover	9965 000 15514
9	Button spring	9965 000 15515
10	Button plate release	9965 000 15516
11	Bottom plate releaser	9965 000 15517
12	Top Hinge cover	9965 000 15518
13	Hinge controller	9965 000 15519
14	Plate mount	9965 000 15520

Pos	Description	Service code
15	Plate left handle	9965 000 15521
16	Plate right handle	9965 000 15522
17	Grill plate	9965 000 15523
18	Belgian waffle plate	9965 000 15524
19	Cut & Slice sandwich plate	9965 000 15525
20	Temp adjust shaft	9965 000 15526
21	Thermostat assy	9965 000 15527
22*	Heating element HV (115 V / 450 W)	9965 000 15528
	Heating element LV (60 V / 450 W)	9965 000 15529
23	Fuse	9965 000 15530
24	Temp sensitivity	9965 000 15531
25	Spring	9965 000 15532
26	Supporter	9965 000 15533

