



Philips Domestic Appliances and Personal Care

Service Manual

PRODUCT INFORMATION

Features

Iron

Professional

- Aluminium soleplate
- Max. steam output 60 g/min
- Shot of steam (SOS)
- Cord length 1.9 m

Boiler

- Inox boiler
- Capacity 1.5 litres
- Vario steam
- Steam ready indicator

TECHNICAL INFORMATION

Voltage : 220 - 240 V

Frequency : 50 - 60 Hz

Power consumption : Iron : 700 W
Boiler : 1500 W
Pressure : 2.5 bar

Water advice : Suitable for tap water use. However if the tap water in your area is very hard, we advise you to mix it with a equal portion of distilled water or to use distilled water only.

Vertical Steam

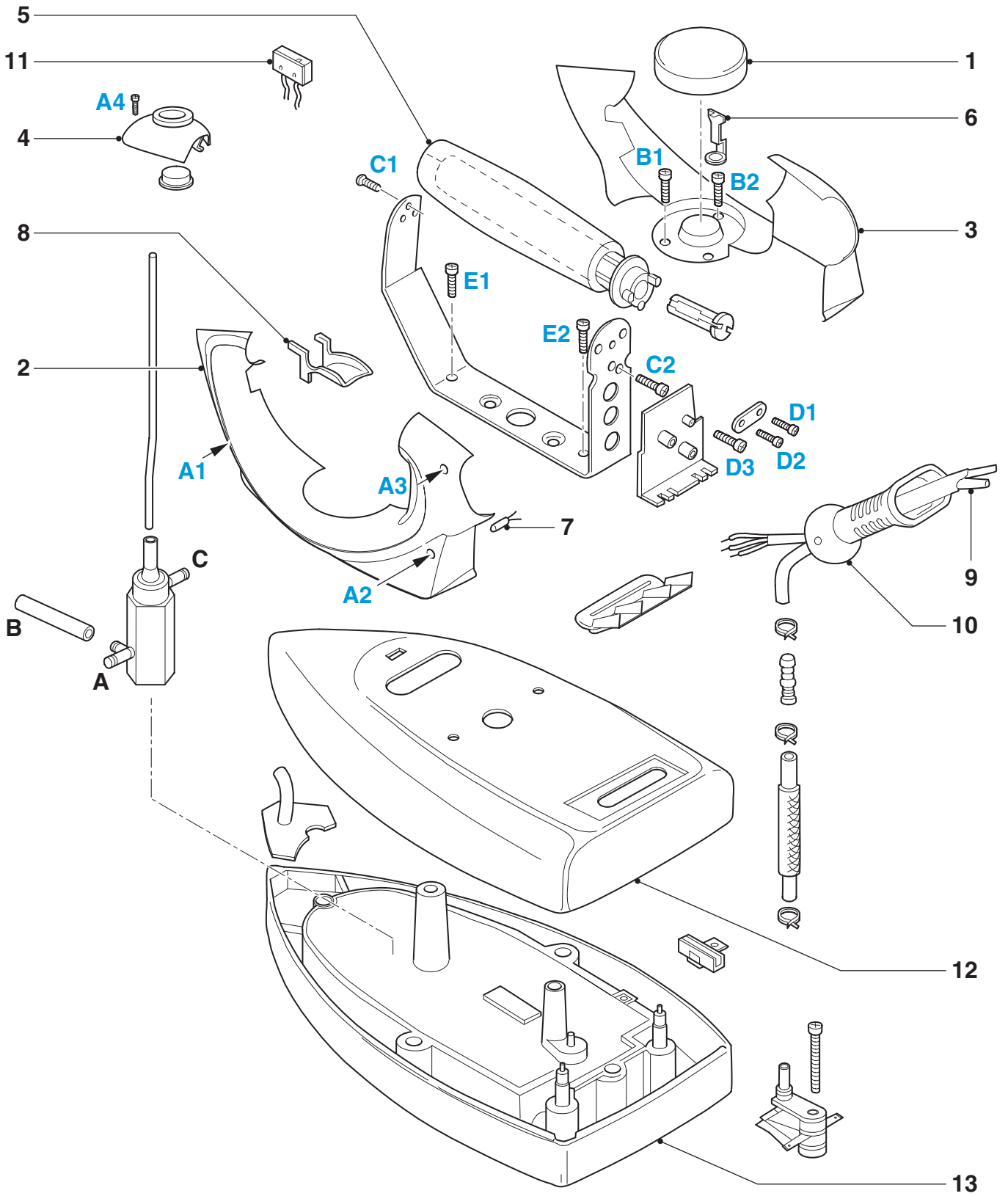
When the iron is kept in a vertical position, the shot of steam (S.O.S) button can be used to iron hanging fabrics such as curtains.

Vario steam

The vario steam function allows user to have control over the steam rate and this prevent over moisturising the cloth.

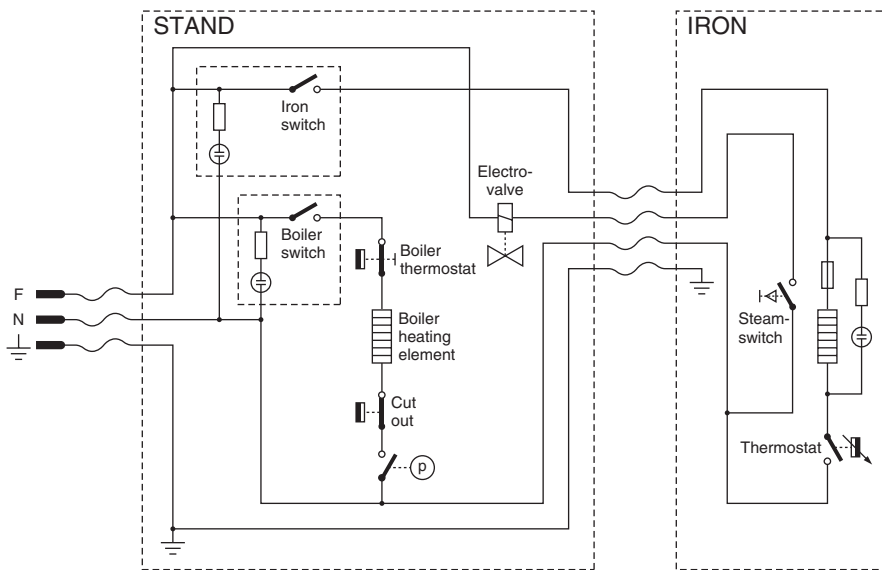
This product meets the requirement regarding interference suppression on radio and television.

EXPLODED VIEW IRON



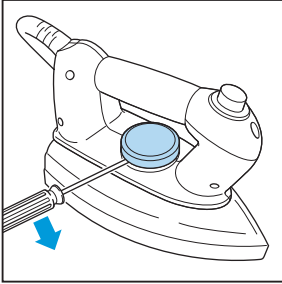
PARTS LIST IRON

Pos	Description	Service code
1	Dial	9965 000 13323
2	Iron Handle - Left part	9965 000 13324
3	Iron Handle - right part	9965 000 13325
4	Inlay	9965 000 13326
5	Cork handle	9965 000 13300
6	Thermostat joint	9965 000 13301
7	Iron Lamp	9965 000 13305
8	Steam trigger	9965 000 13306
9	Intermediate cable	9965 000 13307
10	Swivel	9965 000 13238
11	Micro switch	9965 000 13308
12	Iron metal skirt	9965 000 13309
13	Soleplate unit (professional)	9965 000 13310



DISASSEMBLY ADVISE IRON

REPLACE DIAL I



IRON HANDLE 2 + IRON HANDLE 3

INLAY 4

IRON LAMP 7

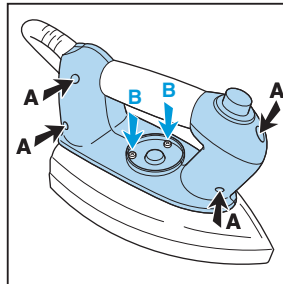
STEAM TRIGGER 8

MICRO SWITCH 11

disassemble **DIAL I**

remove **screw A (4x)**

remove **screw B (2x)**



CORK HANDLE 5

disassemble **DIAL I**

remove **screw A (4x)**

remove **screw B (2x)**

disassemble **IRON
HANDLE 2 +
IRON
HANDLE 3
INLAY 4**

remove **screw C (2x)**

INTERMEDIATE CABLE 9

SWIVEL 10

disassemble **DIAL I**

remove **screw A (4x)**

remove **screw B (2x)**

disassemble **IRON
HANDLE 2 +
IRON
HANDLE 3
INLAY 4**

remove **screw C (2x)**

disassemble **CORK
HANDLE 5**

remove **screw D (3x)**

IRON METAL SKIRT 12

SOLEPLATE UNIT 13

disassemble **DIAL I**

remove **screw A (4x)**

remove **screw B (2x)**

disassemble **IRON
HANDLE 2 +
IRON
HANDLE 3
INLAY 4**

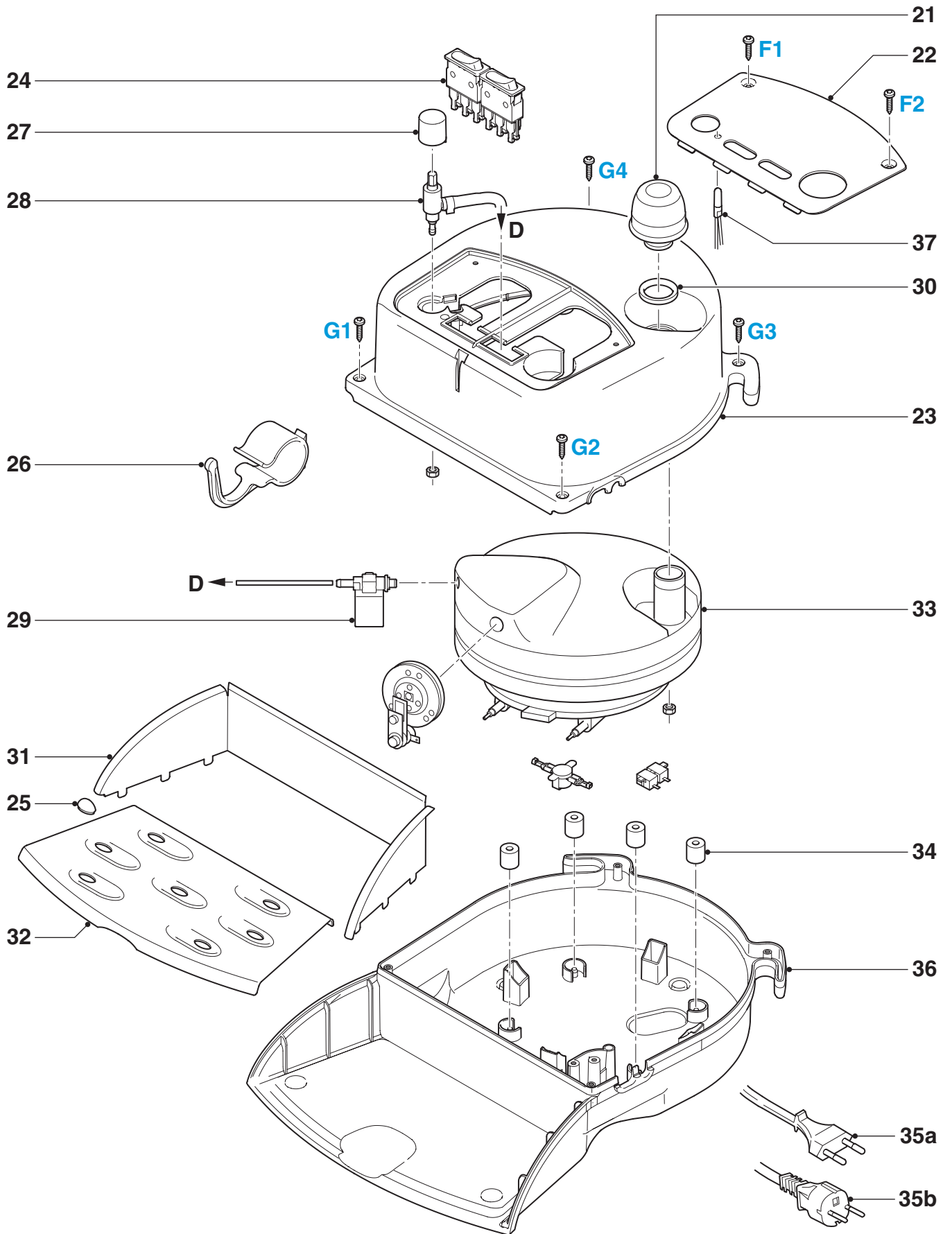
remove **screw C (2x)**

disassemble **CORK
HANDLE 5**

remove **screw D (3x)**

remove **screw E (2x)**

EXPLODED VIEW STAND



PARTS LIST + DISASSEMBLY ADVICE STAND

Pos	Description	Service code
21	Safety cap	9965 000 13311
22	Switch panel	9965 000 13327
23	Superior stand	9965 000 13313
24	Main switch	9965 000 13251
25	Tray rubber foot	9965 000 13314
26	Iron clip	9965 000 13315
27	Steam dial	9965 000 13328
28	Steam regulation	9965 000 01900
29	Electrovalve	9965 000 13316
30	Filling hole gasket	9965 000 01782
31	Lateral Alu protection	9965 000 13317
32	Complete tray	9965 000 13318
33	Complete boiler unit, Inox	9965 000 13330
34	Boiler rubber feet	4822 462 71999
35a	Supply cable (Europe)	9965 000 13320
35b	Supply cable (Italy)	9965 000 13321
36	Inferior stand	9965 000 13322
37	Boiler lamp	9965 000 13329

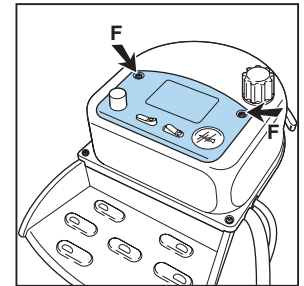
ADJUSTMENT AND CONTROLS

- The thermostat fitted to the **SOLEPLATE UNIT 13** has been adjusted by supplier and secured by glue.
To avoid disfunction of the iron, **NEVER** readjust the thermostat.
- To avoid leakage of the sealings and damage to the components in and on the boiler, never clean the boiler with vinegar, a descaling agent or other chemicals.
- The boiler doesn't contain serviceable parts.
Never disassemble the boiler body or component and/or components on and in the boiler.
- The boiler is required to be rinsed after every ten times use.
- **ALWAYS REPLACE BOILER (Pos 33) WHEN:**
 - * the mechanical safety valve has been activated.
 - * the boiler thermostat or hand –resettable safety thermostat are open.
 - * the electrovalve fails or the sieve is soiled with scale.
- After the product has been repaired, it should function properly and has to meet the safety requirements as laid down and officially established at this moment.

disassemble **SAFETY CAP 21**

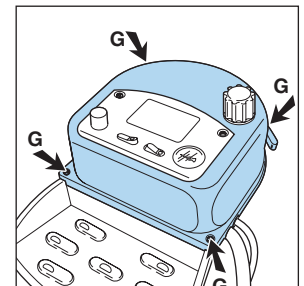
SWITCH PANEL 22

remove screw **F (2x)**



SUPERIOR STAND 23

remove screw **G (4x)**



remove the **SUPERIOR STAND 23** now and you will see the respective parts of the Boiler

Notes :

For disassembly you will need a Torx screwdriver 362 TR T20 x 100.