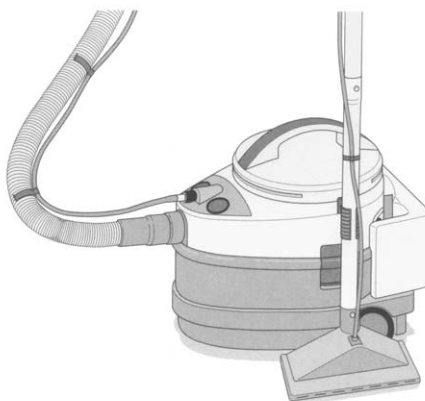
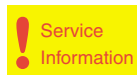


Service
Service
Service



Philips Domestic Appliances and Personal Care

Service Manual

PRODUCT INFORMATION

Type no.		
name	: HR 68xx Triathlon (dry, wet and shampoo)	
Versions	: FC 6842 = blue	
Voltage	: 230 V a.c. 50 Hz; 240 V a.c. 50 Hz	
Power	: 1300 W (IEC) / 1500 W max.	
Air displacement	: 51 l/sec. measured without accessories	
Vacuum (water col.)	: 230 cm measured without accessories	
Noise level	: 77 dB	
Capacity	Supply tank	3 litres (2)
	Recovery tank	9 litres wet (7)
	Recovery tank	17 litres dry (7)
	Dust bag (HR 6947)	10 litres dry (39)
Cord length	: 6.3 or 9.3 m (depends on the national version)	
Shampoo system	: Motorised pump	
Air exhaust	: AFS-MICRO filter FC 8032	
Dimensions	: 46 x 45 x 32 cm	
Net weight	: 8.3 kg (without tools)	

OPTIONAL

FC 8032	: AFS-MICRO filters 4822 015 70056. Item 20
HR 6947	: Athena 8836 947 01000 = 4822 015 70058 Contains: 4 Paper dust bags, 1 motor filter and 1 AFS-MICRO filter. Items 29, 24 and 20
HR 6965	: Cleaning liquid for carpets 4822 390 80176
FC 8043	: Turbo nozzle
FC 8042	: Twist and clean nozzle

SERVICE INFORMATION

Accessories:

See drawing for replacing of the shampoo pressure hose, for example the pistol handgrip.

Motor unit:

The **type no. plate** is placed on the outside of the **lower housing** (38). To **open the motor unit**, remove the inlay by pressing the inlay on the cord winder push-button and remove 2 screws (E). (The inlay is mounted on the cover by means of a snap construction).

Use a **long Philips screwdriver 9965 000 08332** to remove the 6 screws (F) of the lower housing / top housing. (Holes in lower housing are 13 cm deep). For safety reasons, make sure that the **cap clamps** do not come above the **panel surface** (31) after replacing of the **switch** (30).

If the **lower housing** (38) must be separated from the **top housing** (15) **always replace waterproofing foam** (22). Press hard on the housing during assembly of this unit to prevent the foam from moving during assembly.

This product meets the requirements regarding interference suppression on radio and TV.

After the product has been repaired, it should function properly and has to meet the safety requirements as officially laid down at this moment.

The **cord winder lever** (14) must be assembled through the top cover at an angle (as shown in the figure) to operate the cord winder.

Depending on the national version, the cleaner has a 6.3 or 9.3 m cord. The spring unit (101) is standard provided with a 9.3 m spring.

To demount the cord winder use TORX screw driver no.

T15, which is one of a set consisting of T20, T15, T10, T9, T8 and T6 4822 395 50145.

To check the shampoo circuit, it is necessary to **use the male plug** (61) to open the valve in the **female plug** (32). If pos. 101 is replaced, shaft A must be lubricated with silicone grease (A). This grease may not be used on terminals (103) or on conductors (102).

Pos	Description	Service code
1	Supply tank cap	4322 005 13140
1a	Male coupling of item1	4322 003 19630
2	Supply tank	4322 003 19730
4	Foam sleeve	4322 000 36710
5	Float assy	4322 005 13160
6	Clamp	4322 003 06240
7	Recovery tank compl.	4322 005 14620
8	Wheel compl. (stand.)	4322 009 05100
10	Caster arm	4322 007 29700
11	Diffusor	4322 003 09710
12	Shelter	4322 009 08000
13	Motor suppressor assy	4322 005 00100
14	Lever spring cord winder	4322 000 67530
15	Upper housing	4322 009 08020
16	Motor thermal fuse	4322 006 20180
17	Motor sealing / buffers	4322 009 08690
18	Motor 230 V	4322 009 05120
	Motor 240 V	4322 009 05290
19	AFS filter holder	4322 005 13130
20	AFS air filter	4822 015 70056
21	Cord outlet	4322 009 05310
22	Waterproofing foam	4322 000 36810
23	Pump vac. hose assy (stand.)	4322 009 05260
24	Motor safety filter	4322 000 36750
27	Pump lamp	4322 006 22540
29	Cotton dustbag (opt.)	4322 004 92790
30	Switch unit	4322 009 08030
31	Panel	4322 005 13230
32	Speed coupler female	4322 005 00480
33	Fork washer	4322 000 67510
35	Term. plate unit	4322 005 00080
36	Pump shampoo 220 - 240 V	4322 009 06890
37	Pump press. hose assy	4322 009 08470
38	Lower housing	4322 009 08050
38a	Sealing rim	4322 001 72460
39	Paper dustbags / filters	8836 947 01000
40	Dustbag carrier	4322 005 13090
40a	Dustbag lock	4322 003 05120
41	Sealing rim	4322 001 73120

Pos	Description	Service code
51	Nozzle D272 (opt.)	4822 479 30138
52	Strip of nozzle (opt.)	4822 479 20039
53	Fluff. coll. (opt.)	4822 479 20038
54	R & C nozzle	4322 004 22490
56	Furniture brush	4322 004 22570
57	Crevice nozzle	4322 003 19920
58	Small nozzle	4322 004 22560
59	Clip	4322 003 19900
60	Bend and flex tube	4322 009 08060
61	Speed coupler male	4322 002 22530
62	Clamping bush (stand.)	4322 003 19760
63	Tube leaf spring	4322 007 16000
64	Valve pistol complete	4322 004 22800
65	Shampoo hose (l = 215)	4322 003 14920
66	Wet sweep nozzle	4322 004 22780
67	Mopper of wet sweep nozzle	4322 004 22790
68	Mopper replacement set	4322 009 05280
69	Tube clip 32	4322 003 19930
70	Female plug	4322 003 19770
71	Mini wet sweep	4322 003 17820
73	Suction tube (pvc) (opt.)	4322 004 22820
	Suction tube (stainl. steel)	4322 004 41180
74	Tube coupling bush	4322 001 99120
75	Tube coupling spring	4322 007 45550
76	Washbag window cleaner	4322 004 93270
77	Wiper window cleaner	4322 003 13880
78	Window cleaner assy	4322 004 22810
79	Connection hose assy	4322 005 13120
101	Reel half spring unit (l=9 m)	4322 009 07940
102	Reel half contact unit	4322 009 07950
103	Contact ring plate	4322 009 07960
104	Brake tyre	4322 001 72360
107	U.K. / H.K. L= 9.3 m	4322 006 01720
108	Euro 4.8 mm pins L= 9.3 m	4322 006 01410
109	Swiss L= 9.3 m	4322 006 01670
110	Italy L= 9.3 m	4322 006 01460
111	Cord winder draw rod	4322 001 98540
A	Silicon grease for the shaft	5322 390 20011
B	Screw 3.5 x 12 / T10	4322 002 82550
	Cleaning liquid	8836 965 01010

