

Service
Service
Service



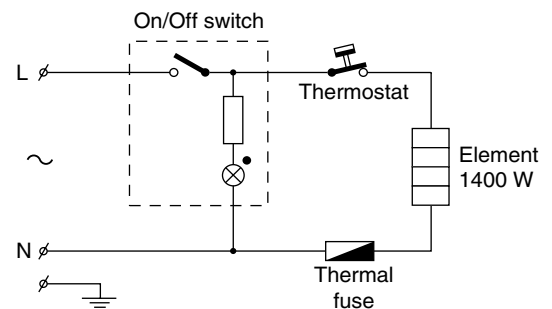
Philips Domestic Appliances and Personal Care

Service Manual

SAP coding HD7632/81

PRODUCT INFORMATION

Voltage	: 100 V, 120 V, 220 - 240 V
Frequency	: 50 - 60 Hz
Power consumption	: 1400 W
Coloursetting	: Anthracite / frost grey
Contents	: 1200 cc



Colour code identification:

To determine which service manual is suitable for the appliance that has to be repaired please check the following. Look at the type plate identification from the appliance on the second row.

The first sledge number is the colour code for that appliance. (/99)

(for example below the colour code is /01)

Example of a type plate:

TYPE HD7624

/01 /A

...

...

At the service manual heading, the type and colour code are also mentioned for example **HD7624/01**

/01 is the colour code.

Descaling:

Regular de-scaling will prolong the life of your appliance and will guarantee optimal brewing results.

Follow below steps to de-scale the appliance.

1. Fill the water tank with white vinegar.
2. Let the appliance complete two runs.
3. Let the appliance complete two more flushing cycles with clean water to rinse away all vinegar.

If the above procedure does not restore the function, then switch off the coffee maker when the acid passed through during appr. 3 min.

Keep the appliance in this condition overnight and continue the steps see above procedure.

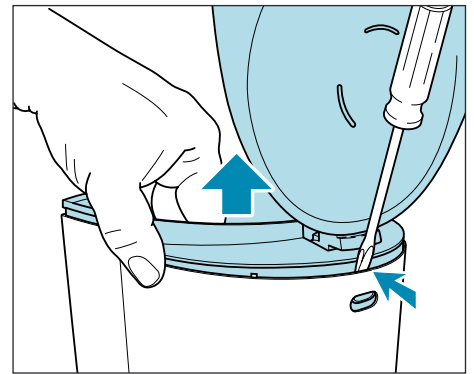
This product meets the requirements regarding interference suppression on radio and TV.

After the product has been repaired, it should function properly and has to meet the safety requirements as officially laid down at this moment.

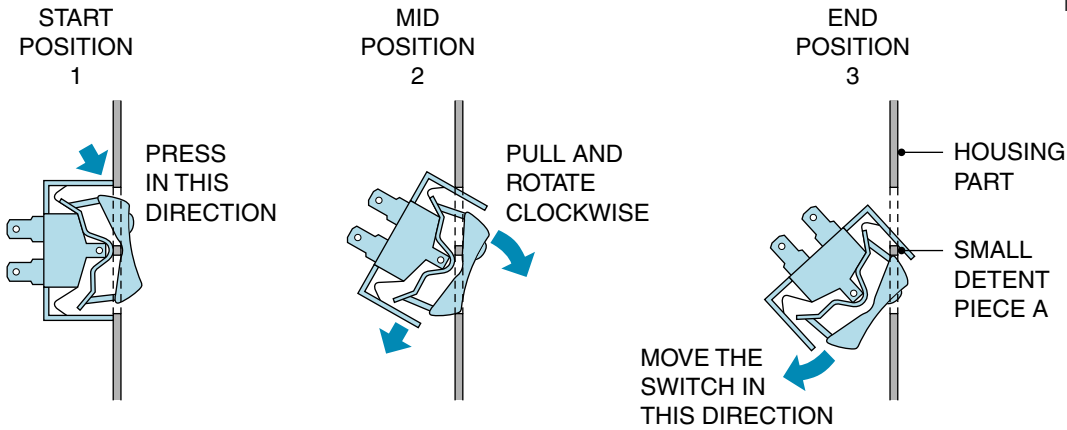
Repair instruction for replacing switch:

If the switch has to be replaced please follow the next steps:

- Remove bottom base plate.
- Pull the complete pump unit (including hose pieces) downwards until the hose pieces are loosened from the two water tank pipes. (hose pieces and wires must stay connected to the pump).
- Remove the complete top cover including the water tank. (see picture 1)
- Now it is possible to get to the switch.
- To remove the switch from the housing, follow the steps see pictures below.



picture 1

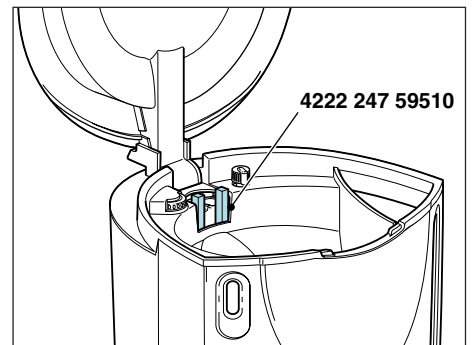


- The new switch can be placed on the same way, to do so follow the above steps backwards!
- Insert the complete top cover assy including plastic tank gently back into the housing.
- Take the pump unit and attach the hose pieces to the water tank pipes of the previously inserted tank. (be sure that the hose pieces are well attached to the water tank pipes, otherwise leakage problems can occur)
- Assemble the base plate again.

Transportation lock:

To prevent damaging the dosing/weighting system in case the appliance has to be shipped/transported, It is possible to order a special transportation lock. For the position of the transportation lock see picture 2.

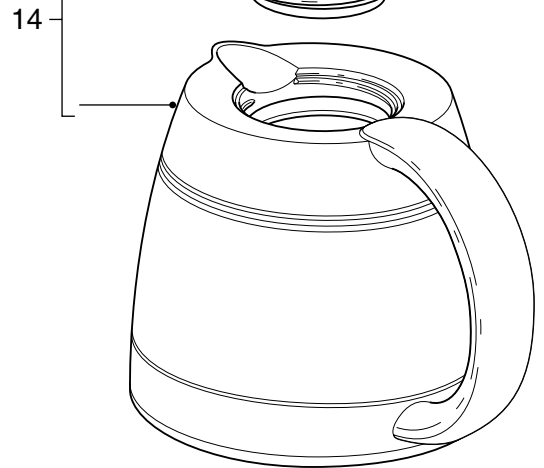
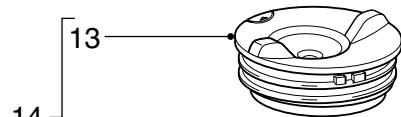
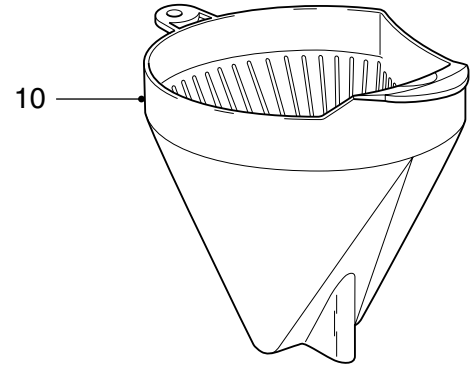
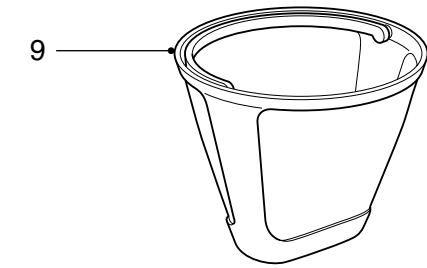
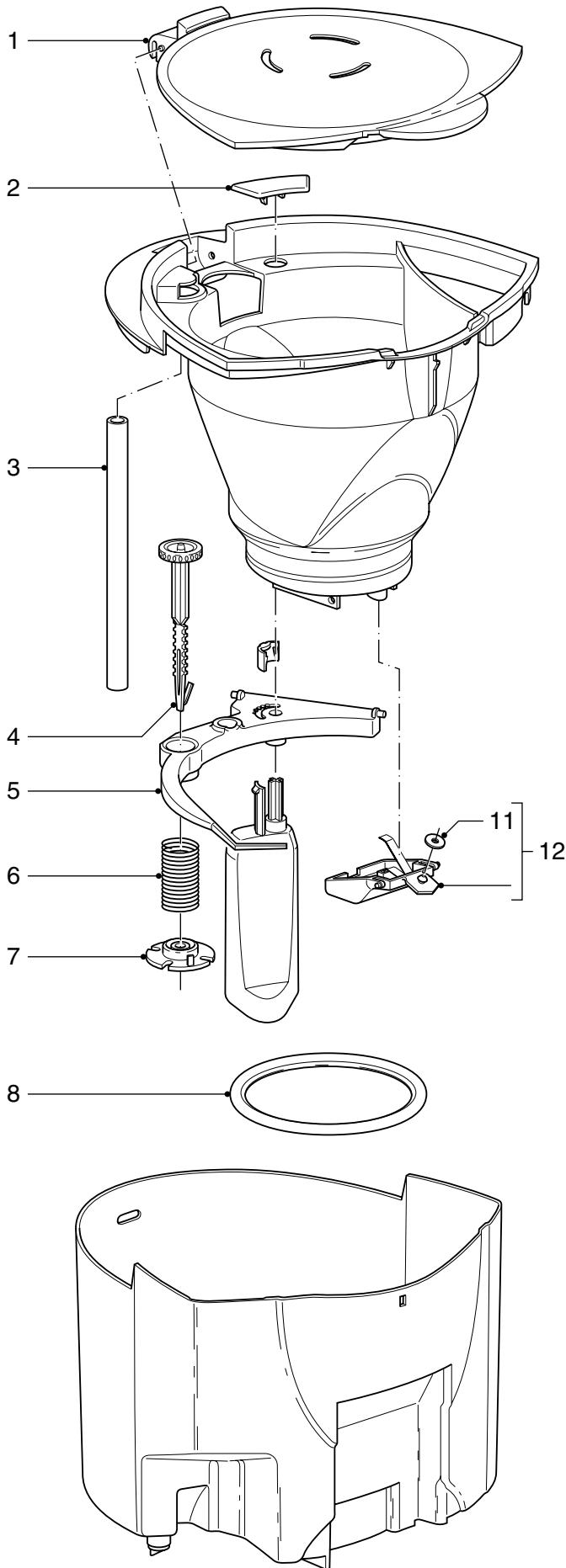
The code number transportation lock: 4222 247 59510



picture 2

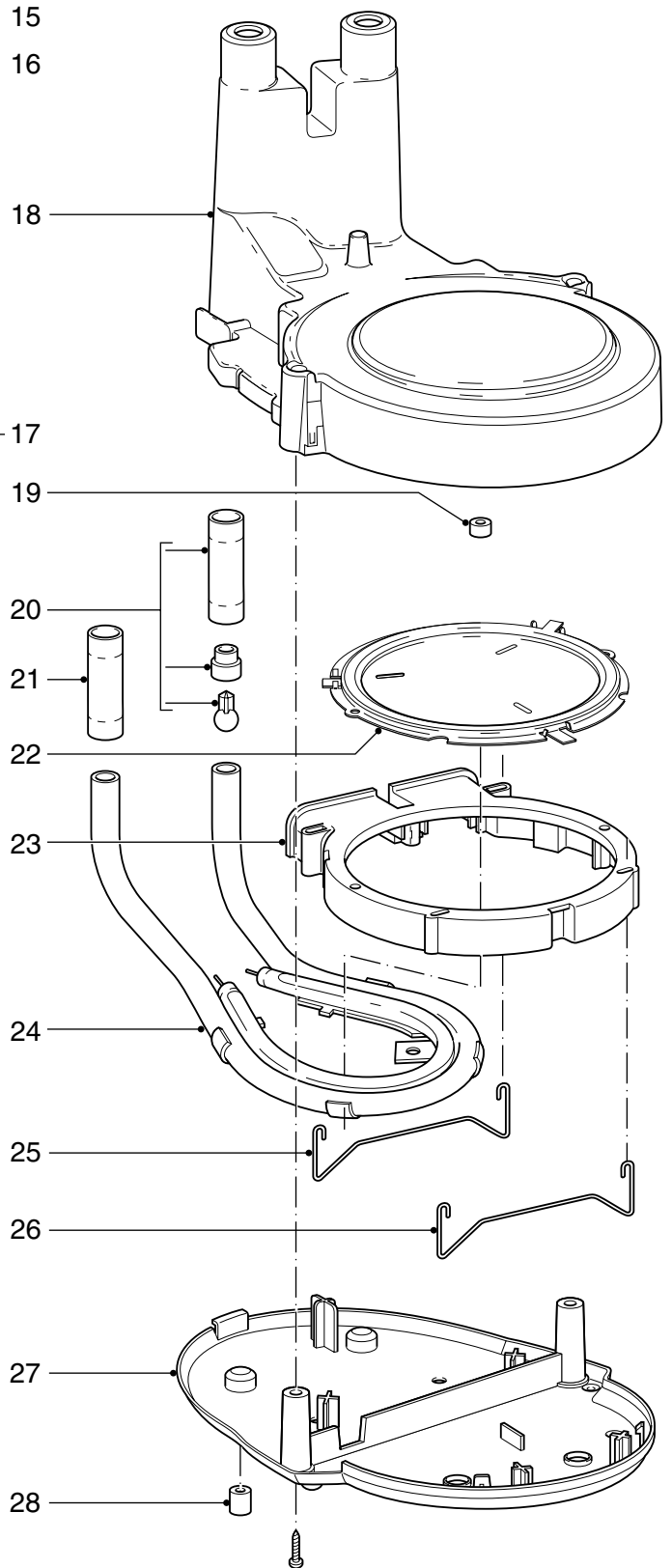
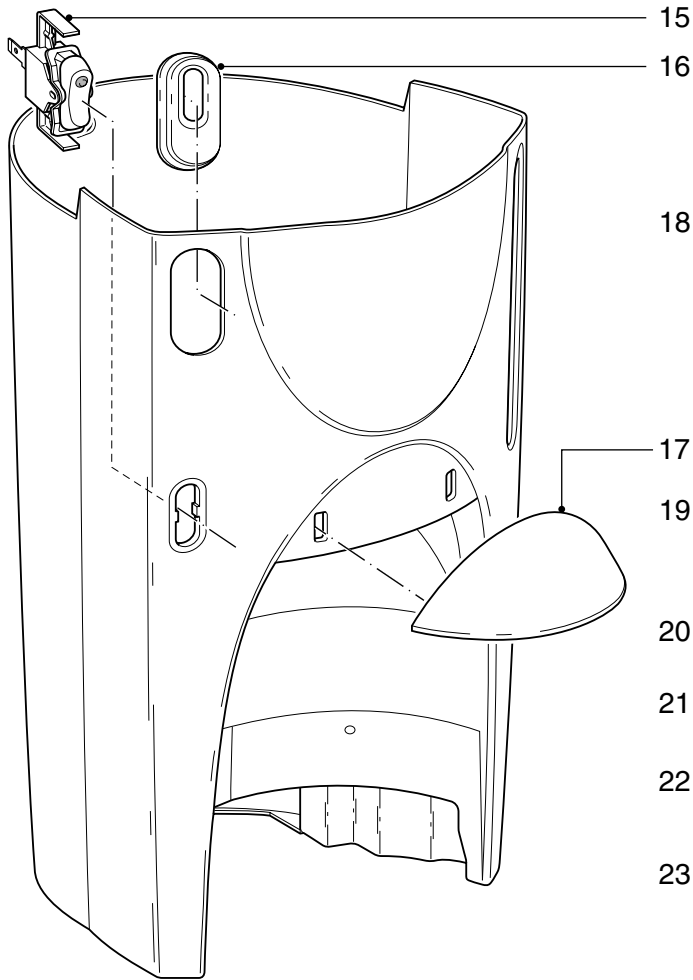
Commercial trade number thermos jug + juglid: HD7967/81 (frost grey)

HD7632/81

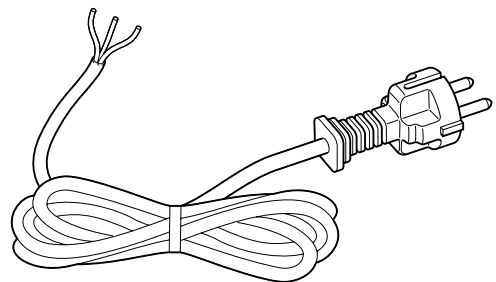


Pos	Description		Service code
1	Tank lid assy	frost grey	4222 259 03750
2	Strength select cover	anthracite	4222 247 35670
3	Spoutpipe		4222 247 35580
4	Tare-adjuster		4222 247 35620
5	Frame ADS printed		4222 259 02330
6	ADS spring		4222 240 06350
7	Spring support		4222 247 35660
8	Sealing ring tank		4222 247 06880
9	Permanent filter		4222 247 36680
10	Filterholder		4222 247 35700
11	Dripstop ring		4222 247 06630
12	Dripstop assy		4222 259 05070
13	Thermos juglid	frost grey	4222 259 10100
14	Thermos jug + lid	frost grey	8827 967 81010

■ = changed



Pos	Description		Service code
15	Switch 230 V	frost grey	4222 246 16010
	Switch 100-120 V	frost grey	4222 246 16970
16	ADS window		4222 259 03890
17	Cap	frost grey	4222 247 36020
18	Foot-therm	anthracite	4222 247 36070
19	Stud		4222 247 06920
20	Valve + hose piece assy		4222 247 20470
21	Hose piece		4222 247 06440
22	Hotplate impressed		4222 259 06230
23	Hotplate ring		4222 247 50300
24	Pump assy 230 V		4222 259 13750
	Pump assy 100 V		4222 259 13740
	Pump assy 120 V		4222 259 13730
25	Wire spring thin		4222 245 71650
26	Wirespring		4222 245 71470
27	Baseplate	frost grey	4222 259 05660
28	Foot, rubber		4213 247 05250



■ = changed