



PRINTER OPTION

UF-1

PARTS CATALOGUE

UF-1 Parts Catalogue

Table of Contents

Assembly (Fig.1).....3

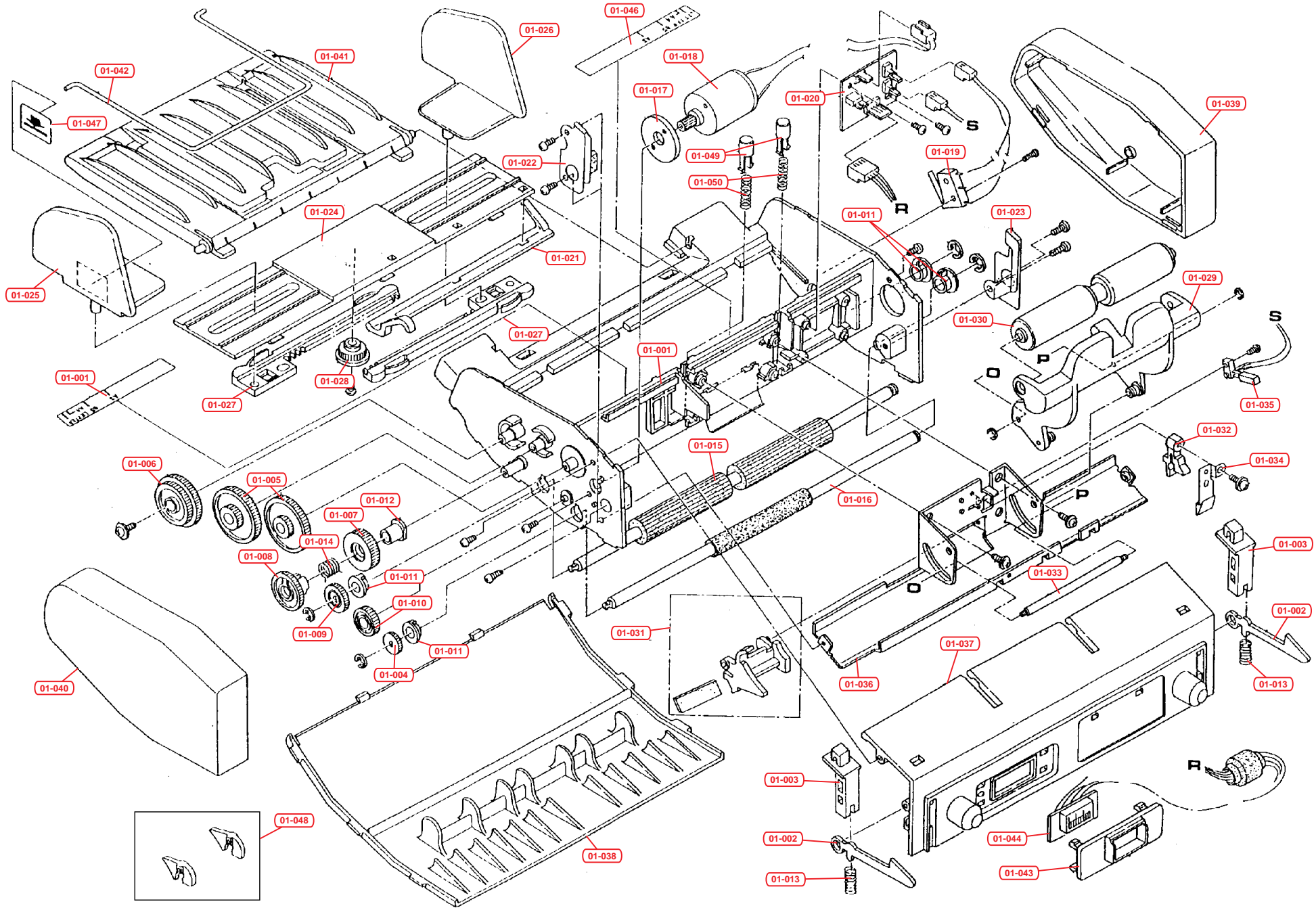
Introduction

The figures which follow depict the major assemblies of the printer or option, broken down into components. Following each figure are the list giving the following information:

- 'Ref No.'Reference number which corresponds to the parts in the figure
- 'Part code'.....Part code which identifies the part
- 'Part description'A brief description of the part
- 'Quantity'.....Quantity of the part used in the printer or option

Only the parts highlighted in BOLD should be ordered. All other parts are for reference only and are not stocked.

Fig.1 - Assembly



Ref No.	Part Code	Description	Quantity
01-001	5SNSP0009660	FRAME SUB ASSY	1
01-002	5SNSP0008510	HOOK	2
01-003	5SNP0009653	BUTTON RELEASE	2
01-004	5SNSP0008512	GEAR Z12	1
01-005	5SNSP0008513	GEAR Z23-Z63	2
01-006	5SNSP0008514	GEAR Z27-Z58	1
01-007	5SNSP0008515	GEAR Z26A	1
01-008	5SNSP0008516	GEAR Z26B	1
01-009	5SNSP0008517	GEAR Z18	1
01-010	5SNSP0008518	GEAR Z19	1
01-011	5SNSP0008520	BUSHING A	4
01-012	5SNSP0008521	BUSHING B	1
01-013	5SNSP0008523	SPRING B	2
01-014	5SNSP0008524	SPRING CLUTCH	1
01-015	5SNSP0009639	ROLLER ASSY A	1
01-016	5SNSP0009640	ROLLER ASSY B	1
01-017	5SNSP0008554	PAD MOTOR	1
01-018	5SNSP0009638	DC MOTOR ASSY	1
01-019	5SNSP0008556	SENSOR ASSY A	1
01-020	5SNSP0008558	PWB MAIN	1
01-021	5SNSP0009645	LEVER SENSOR	1
01-022	5SNSP0009637	PLATE EARTH A	1
01-023	5SNSP0009651	PLATE EARTH B	1
01-024	5SNSP0009641	PLATE CENTER	1
01-025	5SNSP0009642	GUIDE PLATE L	1
01-026	5SNSP0009643	GUIDE PLATE R	1
01-027	5SNSP0009664	RACK	2
01-028	5SNSP0008519	GEAR Z16	1
01-029	5SNSP0008538	ARM	1
01-030	5SNSP0008539	SHAFT WEIGHT	1
01-031	5SNSP0009661	SEPARATER ASSY	1
01-032	5SNSP0008542	HOLDER WEIGHT	1
01-033	5SNSP0008546	SHAFT LATCH	1
01-034	5SNSP0009649	SPRING PAD	1
01-035	5SNSP0008557	SENSOR ASSY B	1
01-036	5SNSP0009648	CHANNEL CENTER	1
01-037	5SNSP0009652	COVER TOP	1
01-038	5SNSP0009654	COVER UNDER	1
01-039	5SNSP0009657	COVER LEFT	1
01-040	5SNSP0009658	COVER RIGHT	1
01-041	5SNSP0009655	TRAY STACKER	1
01-042	5SNSP0009656	STACKER WIRE	1
01-043	5SNSP0008549	HOLDER CONNECTOR	1
01-044	5SNSP0008559	PWB CONNECTOR ASSY	1
01-045	5SNSP0009662	SIZE LABEL R	1

Ref No.	Part Code	Description	Quantity
01-046	5SNSP0009663	SIZE LABEL L	1
01-047	5SNSP0009664	LABEL LIMIT	1
01-048	5SNSP0009668	GUIDE CAP	2
01-049	5SNSP0009646	COVER SPRING	2
01-050	5SNSP0009647	SPRING	2