



PRINTER OPTIONS

PF-3 / PF-4

PARTS CATALOGUE

PF-3 / PF-4 Parts Catalogue

Table of Contents

Lower paper feeder (Fig.1).....3

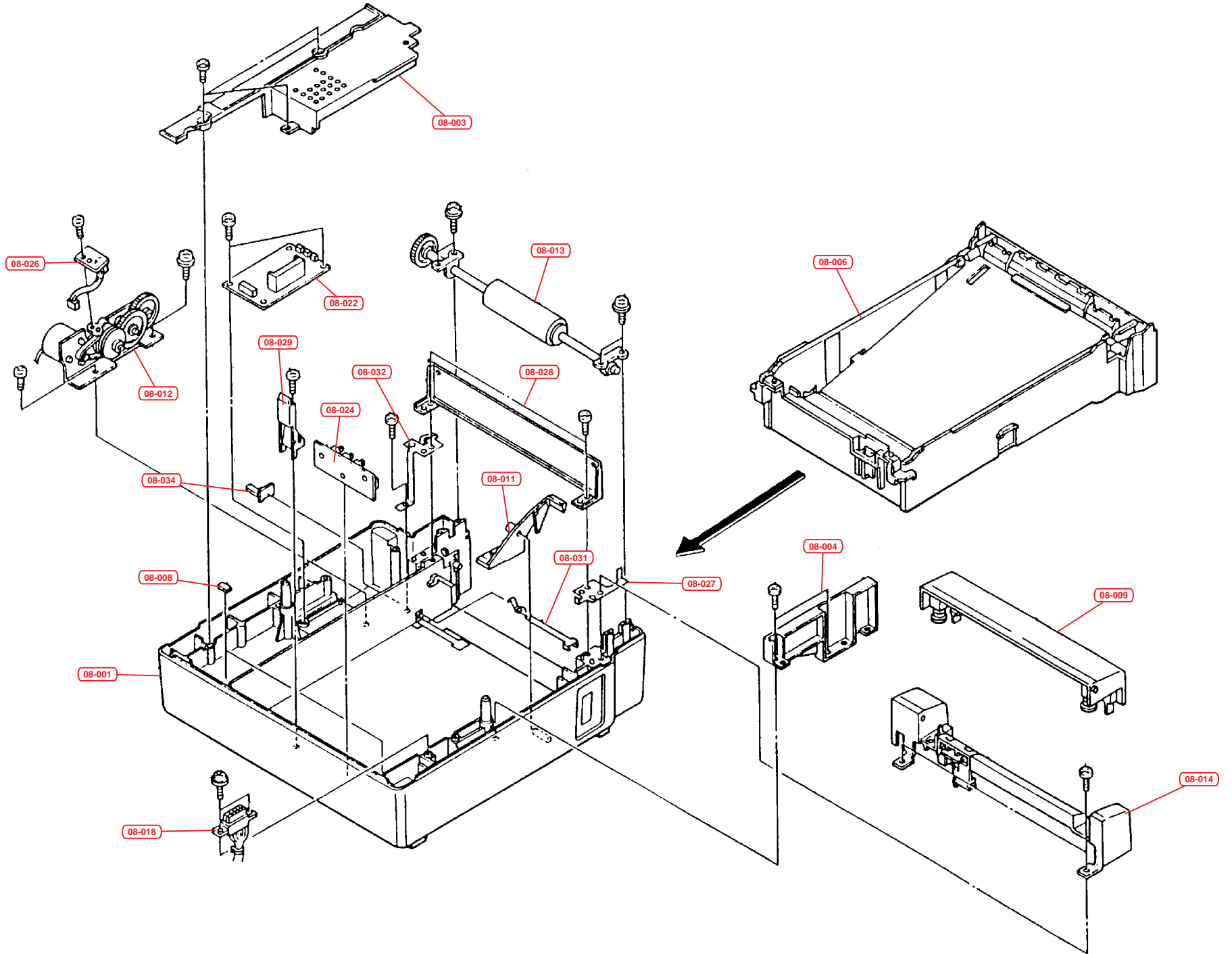
Introduction

The figures which follow depict the major assemblies of the printer or option, broken down into components. Following each figure are the list giving the following information:

- 'Ref No.'Reference number which corresponds to the parts in the figure
- 'Part code'.....Part code which identifies the part
- 'Part description'A brief description of the part
- 'Quantity'.....Quantity of the part used in the printer or option

Only the parts highlighted in BOLD should be ordered. All other parts are for reference only and are not stocked.

Fig.1 - Lower paper feeder



Ref No.	Part Code	Description	Quantity
08-001	5AAVFEEDR012	BASE FEEDER ASS'Y	1
08-003	5MVS836SH001	COVER REAR	1
08-004	5MVX764DDC01	COVER EMPTY	1
08-006	5AAVCASET164	PAPER CASSETTE M	1
08-006	5AAVCASET165	PAPER CASSETTE LETTER/LEGAL	1
08-008	5MV0211RB019	RUBBER CORD	2
08-009	5AAVCOVER167	COVER GUIDE ASS'Y	1
08-011	5AAYF620**30	LEVER EMPTY ASS'Y	1
08-012	5AAYF820**32	PLATE GEAR B ASS'Y	1
08-013	5AAYF820**31	LOWER FEED ASS'Y	1
08-014	5AAYF820**34	COVER FEEDER ASS'Y	1
08-018	5AACCNHK9GEA	CONN. CORD ASS'Y	1
08-022	5AAPRZZC1024AH	PWB ASS'Y KP-189	1
08-024	5AAPRSWC1002AH	PWB ASS'Y KP-140	1
08-026	5AAPRZZC1025AH	PWB ABS'Y KP-196	1
08-027	5MML163LD001	ROU ER EARTH F	1
08-028	5MMU383SD001	STAY RIGHT	1
08-029	5AAVBRCKT051	STAY LEFT ASS'Y	1
08-031	5MMU771U3C01	CASSETTE EARTH B	1
08-032	5MMZ663U001	FEEDER EARTH R	1
08-034	5MBSPB2604NZ	BIND HEAD SCREW	3