



PAGE PRINTER

# FS-3600 / FS-3600+



# PARTS CATALOGUE

11-11-1998

# FS-3600 / FS-3600+ Parts Catalogue

## Table of Contents

Covers (Fig.1).....	3
Frame Unit (Fig.2).....	5
Drive frame Unit (Fig.3).....	7
Controller Unit (Fig.4).....	10
Feed Transfer Unit (Fig.5).....	12
Fuser Unit (Fig.6).....	15
Face Down Unit (Fig.7).....	18
Drum Unit (Fig.8).....	20
LED Head Unit (Fig.9).....	23
Developer Unit (Fig.10).....	25

## Introduction

The figures which follow depict the major assemblies of the printer or option, broken down into components. Following each figure are the list giving the following information:

'Ref No.' ..... Reference number which corresponds to the parts in the figure  
'Part code'..... Part code which identifies the part  
'Part description' ..... A brief description of the part  
'Quantity'..... Quantity of the part used in the printer or option

Only the parts highlighted in BOLD should be ordered. All other parts are for reference only and are not stocked.

## Consumables and Maintenance Kits

TK-12	Toner Kit
<b>G-2</b>	<b>Grid Cleaner</b>
MK-4	Maintenance Kit (300K pages)
	Drum
	Developer
	Fuser
	Drive Assy
	Feed Trans Assy

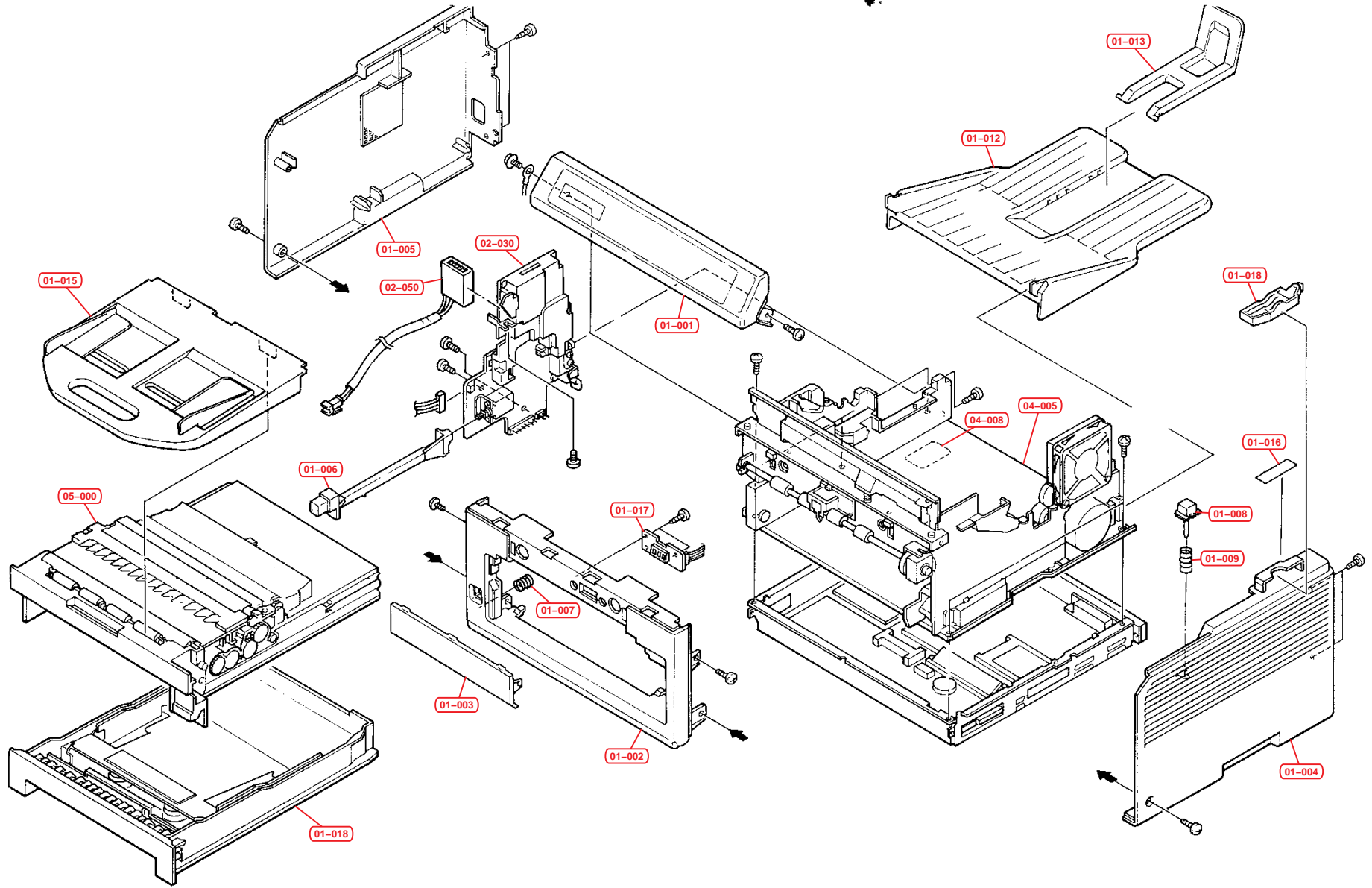
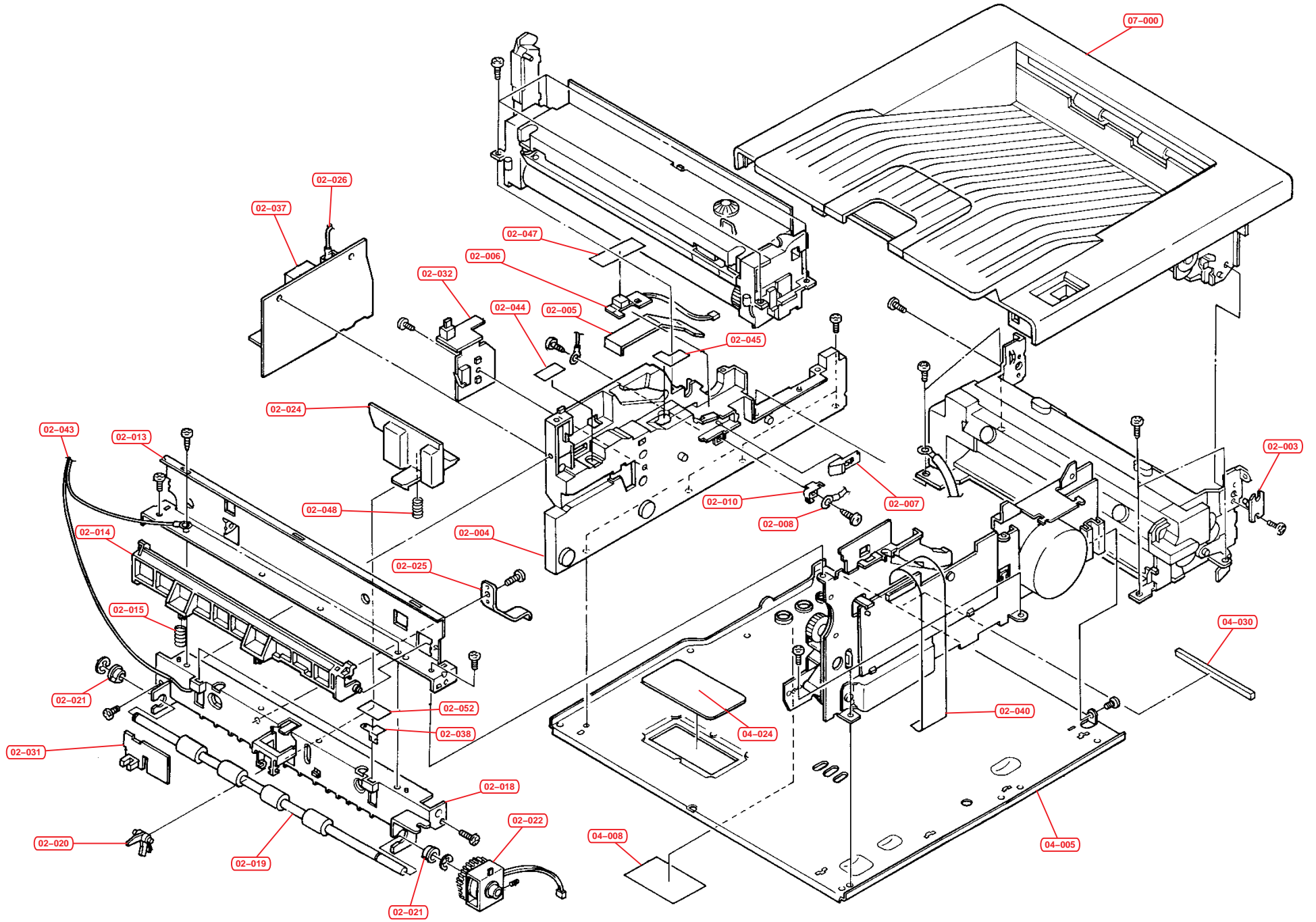


Fig.1 - Covers

Ref No.	Part Code	Description	Quantity
01-001	5AAFZ1550E*1	KEY BOARD ASSY(FS-3600)	1
01-001	5AAFZ1600NE2	KEY BOARD ASSY(FS-3600+)	1
01-002	5MVB886SH043	COVER FRONT A (FS-1550)	1
01-002	5MVB886SH044	COVER FRONT A (FS-1550A)	1
01-003	5MVX852SH003	LID COVER FRONT	1
01-004	5MVB886SH035	COVER RIGHT	1
01-005	5MVB886SH046	COVER LEFT	1
01-006	5MVX842SH003	ROD SW POWER	1
01-007	5MMW361LD006	SPRING POWER	1
01-008	5MVM276SB002	CAP PRESS COVER	1
01-009	5MMW361LD005	SPRING PRESS COVER	1
01-010	5MVVS3600E*1	SER. NO. PLATE (FS-1550)	1
01-010	5MVVS3600A*1	SER. NO. PLATE (FS-1550A)	1
01-012	5MVX885SH003	TRAY FACE UP	1
01-013	5MVL664SH001	STOPPER PAPER FU	1
01-014	5MVS668SH005	STOPPER PAPER FD	1
01-015	5AAVTRAY*003	MANUAL TRAY ASSY	1
01-016	5AAVCLEAN037	CLEANER ASSY	1
01-017	5AAPRZZG2010AH	P.W. BOARD ASSY (ENV)	1
01-018	PC7-A4	CASSETTE A4 ASSY	1
01-018	PC7-LTR	CASSETTE LTR ASSY	1
01-022	5MVVL411WN21	LABEL CLEANER	1

Fig.2 - Frame Unit



Ref No.	Part Code	Description	Quantity
02-002	5MMU211SD007	CASE STOPPER	2
02-003	5MMF265SN001	PIN HINGE	1
02-004	5MVX874CB001	FRAME LEFT	1
02-005	5MVX221CB003	HOLDER THERMISTOR	1
02-006	5AAXTM007GEA	THERMISTOR ASSY	1
02-007	5MMU411LD001	PLATE RECEPTACLE A	1
02-008	5AAXRD012GEA	HIGH MEG R ASSY	1
02-010	5MMU311LD002	PLATE EARTH SPRING	1
02-013	5MMX864SL009	CHANNEL FRONT UP	1
02-014	5MVX843SB003	LATCH COVER	1
02-015	5MMW261LD007	SPRING LATCH	1
02-018	5MVX866SH009	CHANNEL FRONT LOW	1
<b>02-019</b>	<b>5MMT876SN039</b>	<b>ROLLER MANUAL UP C</b>	<b>1</b>
02-020	5MVX322SB012	ACTUATOR MANUAL	1
02-021	5MVM176DN009	BEARING	2
<b>02-022</b>	<b>5EYYAFAAQ01**02</b>	<b>CLUTCH FEED</b>	<b>1</b>
02-024	5MVX644SG001	LOCK DLP	1
02-025	5MMX332LD006	PLATE DLP	1
02-026	5AACCNNP4GEA	CONN CORD S00954	1
02-029	5AACCNHY2GEA	LEFT FRAME S00557	1
<b>02-030</b>	<b>5AAPRPWC1004EH</b>	<b>AC PWB ASSY (240V)</b>	<b>1</b>
<b>02-030</b>	<b>5AAPRPWC1004FH</b>	<b>AC PWB ASSY (120V)</b>	<b>1</b>
<b>02-031</b>	<b>5AAPRSSC1006DH</b>	<b>Manual Feed PWB ASSY</b>	<b>1</b>
<b>02-032</b>	<b>5AAPRSSC1010AH</b>	<b>Sencor PWB ASSY</b>	<b>1</b>
<b>02-037</b>	<b>5AAXTR032VDA</b>	<b>TRANS ASSY</b>	<b>1</b>
02-038	5MML121LD003	PLATE EARTH EF	2
02-040	5AACCNNN0GEA	CONN. CORD	1
02-042	5AACCNNG4GEA	CONN CORD S00934 (240V)	1
02-042	5AACCNNW1GEA	CONN CORD S00959 (120V)	1
02-043	5AACCNNK9GEA	CONN CORD S00947	1
02-044	5MVS321KF016	SHEET FRAME A	1
02-045	5MVS321KF017	SHEET FRAME B	1
02-046	5MVS551KF003	SHEET PWB HV	1
02-047	5MVS322EF002	SEAL THERMISTOR	1
02-048	5MMW261LD009	SPRING SEPARATOR	1
02-050	5AAXCB001GEA	COUNTER ASSY	1
02-052	5MVS331KC003	SHEET EF	2

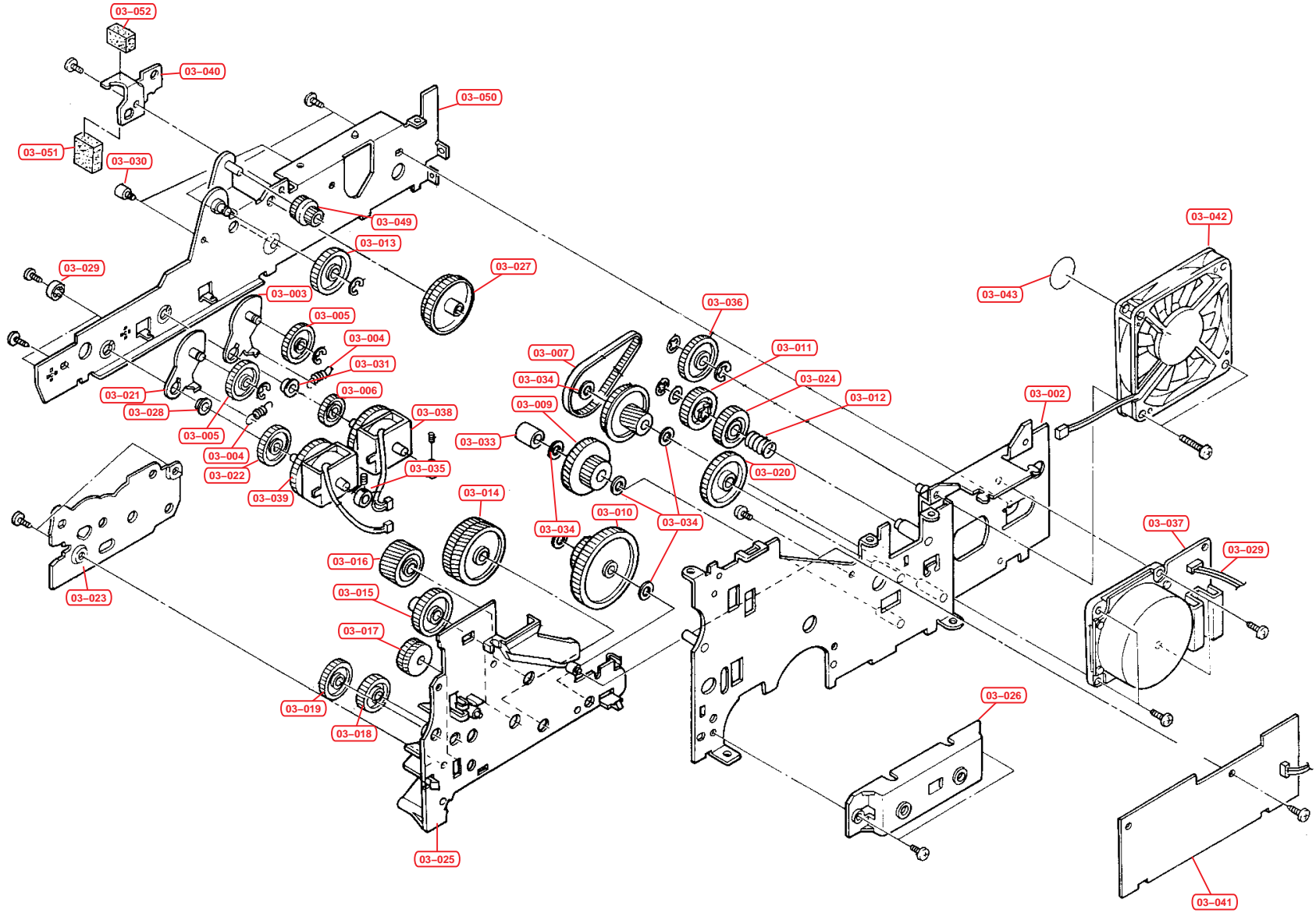


Fig.3 - Drive frame Unit

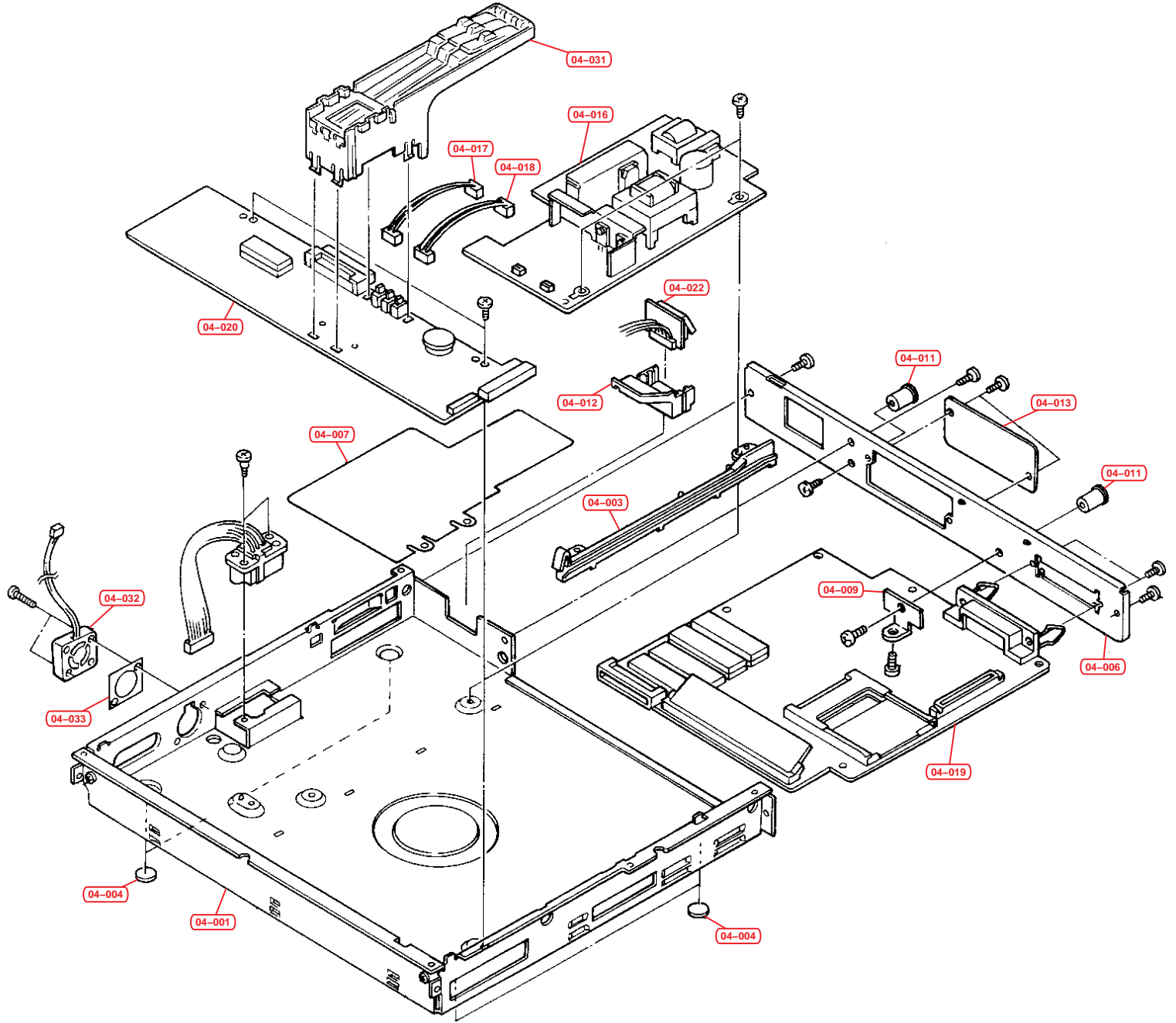


Ref No.	Part Code	Description	Quantity
<b>03-000</b>	<b>5AAY3400E*12</b>	<b>DRIVE FRAME UNIT</b>	<b>1</b>
03-000	5AAY3400E*27	DRIVE GEAR PACK	1
03-002	5MMX873SL005	PLATE DRIVE B	1
03-003	5MMX532SL007	PALTE RE JOINT	1
03-004	5MMW261LD006	SPRING JOINT	2
03-005	5MVG138DB021	GEAR JOINT Z28	2
03-006	5MVG137DB024	GEAR CLUTH Z22	1
03-007	5MVM190RB015	BELT DRIVE	1
03-008	5AAVGEAR*016	GEAR Z57P-Z20H ASSY	1
03-009	5AAVGEAR*017	GEAR Z45H-Z24H ASSY	1
03-010	5AAVGEAR*018	GEAR Z59H-Z24H ASSY	1
03-011	5MVG138DB022	GEAR FREE Z27	1
03-012	5MMW361LD004	SPRING FREE	1
03-013	5MVG148DB019	GEAR DRUM Z34H	1
03-014	5MVG158DB010	GEAR RFG Z45H-Z45S	1
03-015	5MVG148DN011	GEAR Z40H-Z21S	1
03-016	5MVG138DB044	GEAR DLP Z28H	1
03-017	5MVG148DB030	GEAR Z38S	1
03-018	5MVG138DB049	GEAR Z24H	1
03-019	5MVG137DB025	GEAR M FEED Z25	1
03-020	5MVG158DB011	GEAR Z25S-Z24H	1
03-021	5MMX532SL008	PLATE FE JOINT	1
03-022	5MVG138DB024	GEAR CLUTCH Z29	1
03-023	5MMS766SL007	PLATE DRIVE C	1
03-024	5MVG138DB040	GEAR FREE Z27H	1
03-025	5MVX773DB002	SPACER GEAR	1
03-026	5MVX632DB002	HOLDER CLUTCH	1
03-027	5MVG058DB003	GEAR IDLE H45-Z45	1
03-028	5MVM176DB008	BUSHING STOP	1
03-029	5MVM122DB002	PULLEY CASE	2
03-030	5MMT263SZ016	PIN STUD	2
03-031	5MMM176CJ005	BUSHING SBK	1
03-033	5MVM166AN001	COLLAR	1
03-034	5MBWK61805NN	POLY SLIDER	6
03-035	5MMT565SN001	SHAFT CLUTCH	2
03-036	5MVG148XN004	GEAR FUSER Z34	1
<b>03-037</b>	<b>5AAXMT016GEA</b>	<b>MOTOR MAIN</b>	<b>1</b>
<b>03-038</b>	<b>5EYYAFAAK01**03</b>	<b>CLUTCH REGIST</b>	<b>1</b>
<b>03-039</b>	<b>5EYYAFAAQ01**03</b>	<b>CLUTCH FEED</b>	<b>1</b>
03-040	5MMX543SL004	PLATE DRIVE D	1
<b>03-041</b>	<b>5AAPRIFC1007AH</b>	<b>Interconnect PWB ASSY</b>	<b>1</b>
<b>03-042</b>	<b>5EZNF2402501*03</b>	<b>FAN MOTOR</b>	<b>1</b>
03-043	5MVS662KF005	SEAL FAN	1
03-049	5MVG147DB009	GEAR TC Z24-Z32	1



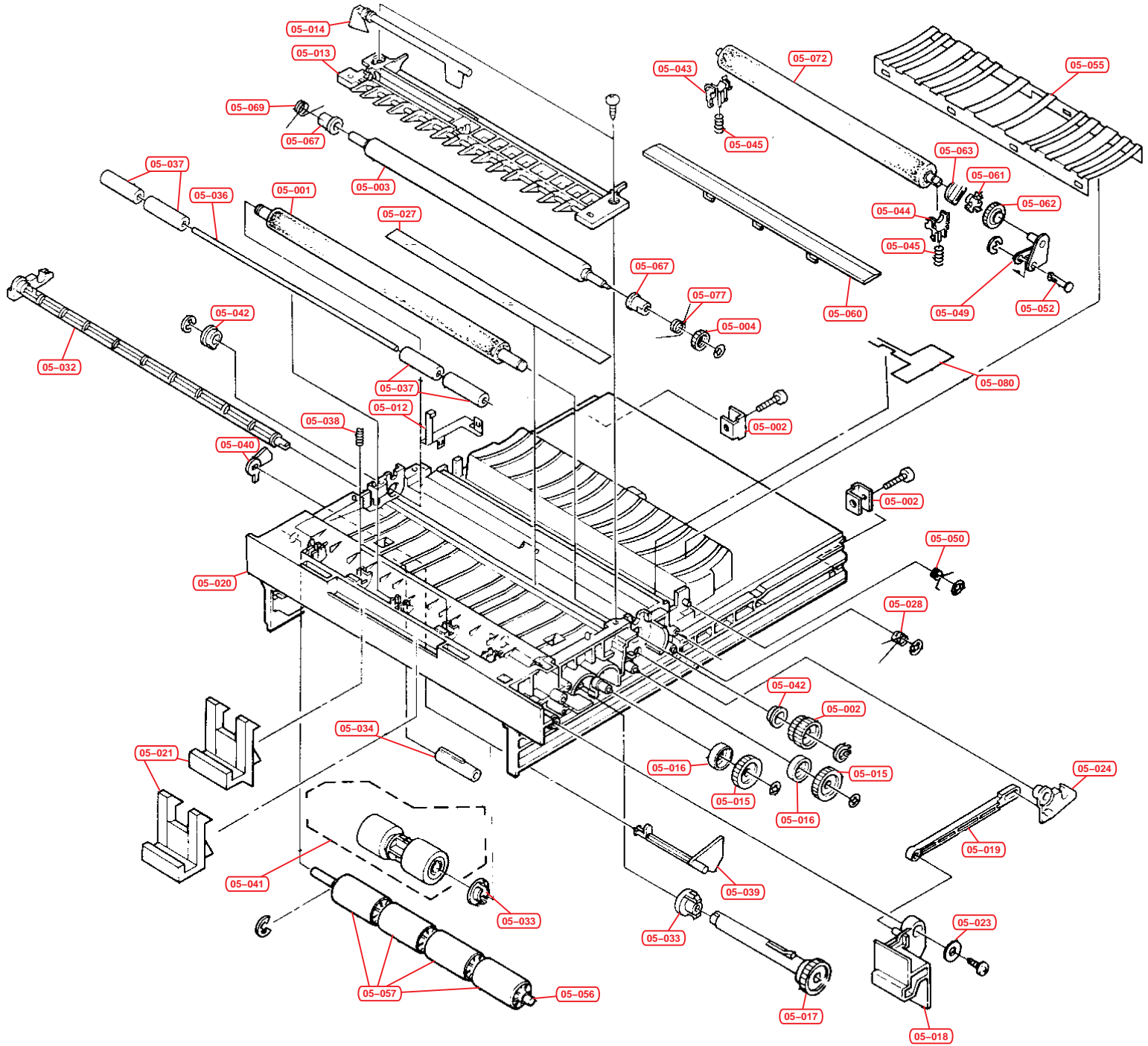
<b>Ref No.</b>	<b>Part Code</b>	<b>Description</b>	<b>Quantity</b>
03-050	5MMX863SL005	PLATE DRIVE A	1
03-051	5MVQ221RF018	SEAL FRAME R2	1
03-052	5MVQ221RF017	SEAL FRAME R1	1

Fig.4 - Controller Unit



Ref No.	Part Code	Description	Quantity
04-001	5AAVBOX**003	BOX ASSY	1
04-003	5MVX732SL002	RAIL PWB MAIN	1
04-004	5MVM160RB025	FOOT	4
04-005	5MMS886SL008	LID CONTROLLER	1
04-006	5MMS846SL003	PANEL REAR	1
04-007	5MVS772KF003	SHEET PWB POWER	1
04-008	5MVS532KF002	SHEET TRANS	1
04-009	5MML222SD005	HOLDER MAIN (120V)	1
04-011	5MVM266SB003	PULL KNOB	2
04-012	5MVB422SB003	BRACKET CONN F	1
04-013	5MMS646SD007	PLATE CONNECT 8N	1
04-015	5AACCNHW6GEA	CONN. CORD S00541	1
<b>04-016</b>	<b>5AAEZ3600E*1</b>	<b>SWITCHING REGURATOR (240V)</b>	<b>1</b>
<b>04-016</b>	<b>5AAEZ3600A*1</b>	<b>SWITCHING REGURATOR (120V)</b>	<b>1</b>
04-017	5AACCNF6GEA	CONN CORD S00926	1
04-018	5AACCNF7GEA	CONN CORD S00927	1
<b>04-019</b>	<b>5AAPRLGG4022CH</b>	<b>MAIN LOGIC PWB FS-3600 (240V)</b>	<b>1</b>
<b>04-019</b>	<b>5AAPRLGG4022BH</b>	<b>MAIN LOGIC PWB FS-3600 (120V)</b>	<b>1</b>
<b>04-019</b>	<b>5AAPRLGG4022FH</b>	<b>MAIN LOGIC PWB FS-3600+</b>	<b>1</b>
<b>04-020</b>	<b>5AAPRCZR2002KH</b>	<b>ENGINE PWB ASSY (240V)</b>	<b>1</b>
<b>04-020</b>	<b>5AAPRCZR2002WH</b>	<b>ENGINE PWB ASSY (FS-3600+)(240V)</b>	<b>1</b>
<b>04-020</b>	<b>5AAPRCZR2002LH</b>	<b>ENGINE PWB ASSY (120V)</b>	<b>1</b>
<b>04-022</b>	<b>5AAPRZZG4010AH</b>	<b>Fux PWB ASSY</b>	<b>1</b>
04-024	5MVS636VB003	SHEET ENGINE ROM	1
04-027	5MVS621KF009	SHEET BOX	1
04-030	5MVQ611RX009	EMI GASKET	2
04-031	5MVX744DB001	ACTUATOR CASS SIZE	1
<b>04-032</b>	<b>5EZNF0509001*01</b>	<b>FAN MOTOR</b>	<b>1</b>
04-033	5MVS447XF001	SEAL BOX FAN	1

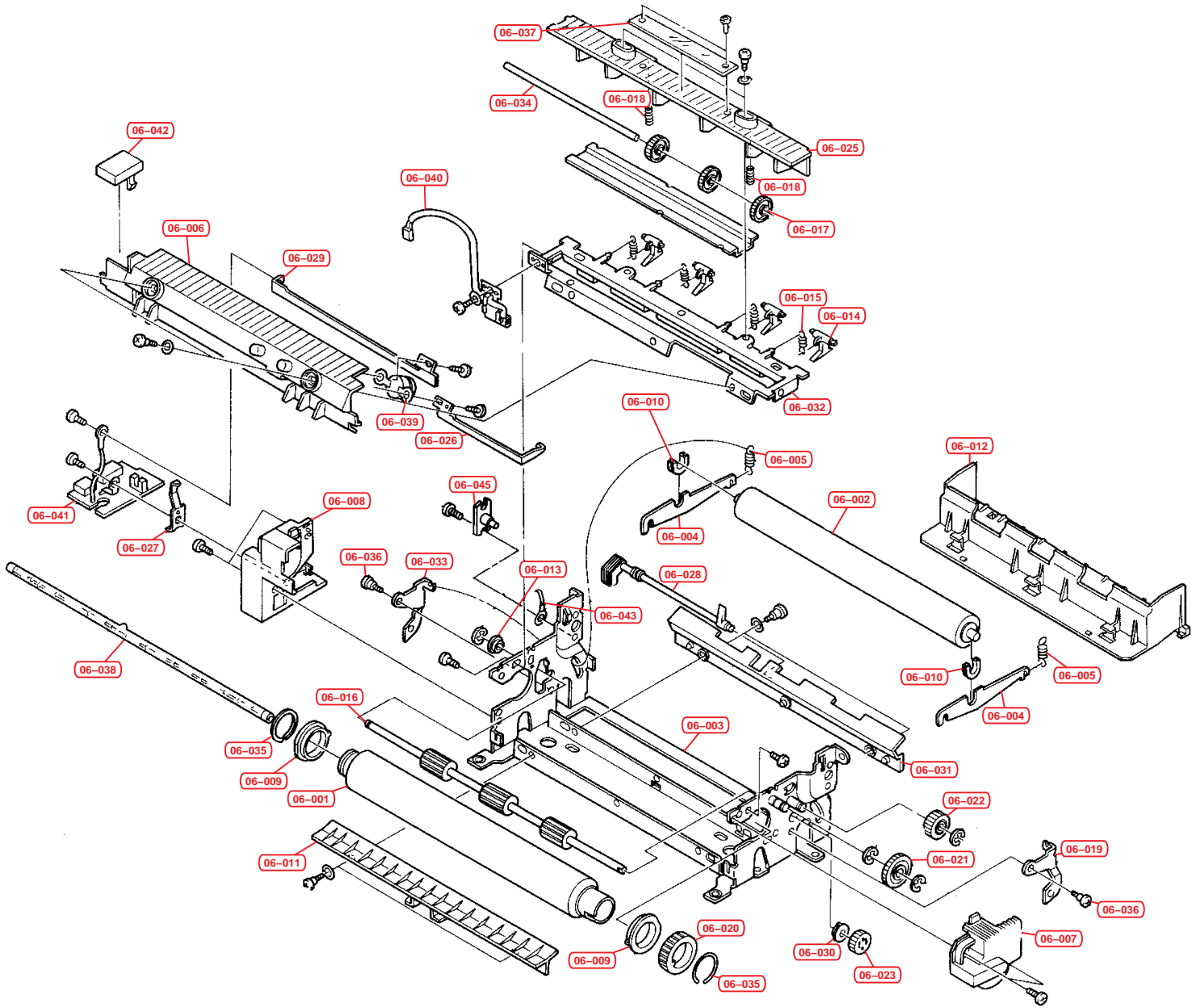
Fig.5 - Feed Transfer Unit



Ref No.	Part Code	Description	Quantity
05-000	<b>5AAY3400E*22</b>	<b>PAPER FEED UNIT</b>	<b>1</b>
05-001	<b>5MMT876SN033</b>	<b>ROLLER REGIST A</b>	<b>1</b>
05-002	5MVG137DB029	GEAR REGIST Z24-Z32	1
05-003	<b>5MMT821SN002</b>	<b>ROLLER REGIST UP</b>	<b>1</b>
05-004	5MVG137DB028	GEAR REGIST Z24	1
05-012	5MMX532LD004	PLATE EARTH CONTACT	1
05-013	5MVX852SH002	GUIDE PAPER A	1
05-014	5MVX722SH003	SENSOR DOC	1
05-015	5MVG138DB029	GEAR IDLE Z26	2
05-016	5MVM121DB001	COLLAR JOINT	2
05-017	5MVG038DB002	GEAR FEED Z27	1
05-018	5MVX655SX001	LEVER LOCK	1
05-019	5MVX711DB002	LINK LOCK	1
05-020	5MVB886SH033	LOWER CASE	1
05-021	5MVX322DN002	GUIDE PAPER B	2
05-023	5MBWK54E08SZ	FLAT S WASHER	1
05-024	5MVX431DB003	HINGE LOCK R	1
05-027	5MVS822KF006	SHEET REGIST C	1
05-028	5MMW167LD002	SPRING HINGE R	1
05-032	5MVX842SB008	SHAFT RELEASE	1
05-033	5MVM177DB008	BUSH FEED	2
05-034	5MVM410DB001	HOLDER ROLLER FEED	1
05-036	5MMT733SN002	SHAFT MANUAL FEED	1
05-037	5MVM460DB001	ROLLER IDLE	4
05-038	5MMW255LD003	SPRING MANUAL	2
05-039	5MVX641CB001	ACTUATOR CASSETTE A	1
05-040	5MVX321SB012	ACTUATOR CASSETTE B	1
05-041	<b>5AAVROLL*027</b>	<b>FEED ROLLER ASSY</b>	<b>1</b>
05-042	5MVM122DB003	BUSH POM	2
05-043	5MVX322DB012	BUSH TRANSFER L	1
05-044	5MVX321DB009	BUSH TRANSFER R	1
05-045	5MMW354LD001	SPRING BUSH A	2
05-049	5MMU222SD002	BRACKET JOINT GEAR	1
05-050	5MMW166LD006	SPRING BRACKET	1
05-052	5MMT243SZ005	PIN BRACKET A	1
05-055	5MMU862SZ012	PLATE EARTH	1
05-056	5MMT866SN019	SHAFT GUIDE	1
05-057	5MVM687DB001	ROLLER GUIDE	4
05-060	5MVX821CB002	GUIDE PAPER LOW	1
05-061	5MVM276DB007	COUPLING JOINT	1
05-062	5MVG132DB002	GEAR TC	1
05-063	5MVM176DB009	BUSH TRANSFER	1
05-067	5MMM276CJ001	METAL BUSH REGIST	2
05-069	5MMW172LD008	SPRING REGIST L	1

<b>Ref No.</b>	<b>Part Code</b>	<b>Description</b>	<b>Quantity</b>
05-072	5AAY1500E*58	TRANSFER ROLLER ASSY	1
05-077	5MMW172SX005	SPRING REGIST R	1
05-080	5MVS552KF006	SHEET COVER GEAR	1

Fig.6 - Fuser Unit

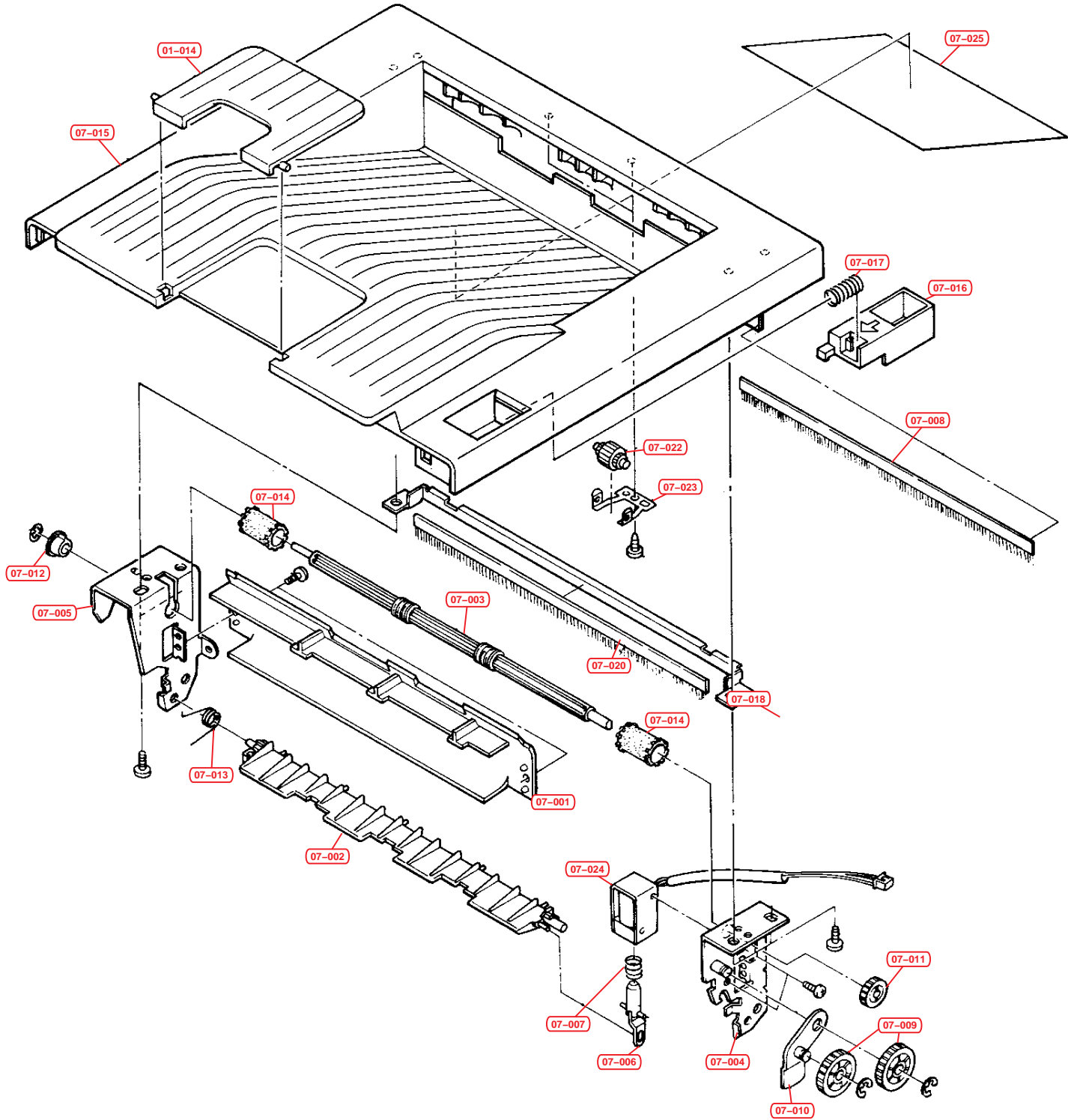




Ref No.	Part Code	Description	Quantity
06-000	FK-54	FUSER KIT(5PLPZMAAPKE)240V	1
06-000	FK-54	FUSER KIT(5PLPZMBAUK1)120V	1
06-001	5MMT888AX007	ROLLER HEAT	1
06-002	5MMT886SN010	ROLLER PRESS	1
06-003	5MMB866SL013	FRAME FUSER	1
06-004	5MMS627SL002	PLATE PRESS	2
06-005	5MMW251LD008	SPRING PRESS	2
06-006	5MVX842NB002	GUIDE THERMAL	1
06-007	5MVB653XB001	COVER FUSER R	1
06-008	5MVB663XB002	COVER FUSER L	1
06-009	5MVM188XN006	BUSHING HEAT C	2
06-010	5MVM166XN001	BUSHING PRESS	2
06-011	5MVX833XB002	GUIDE ENTRANCE	1
06-012	5MVX865SH001	GUIDE FU	1
06-013	5MVM176DB006	BUSHING POM	1
06-014	5MVX332XN003	SEPARATOR	4
06-015	5MMW241LD003	SPRING SEPARATOR	4
06-016	5MMT874SN003	ROLLER EXIT	1
06-017	5MVM174DB002	PULLEY EXIT	3
06-018	5MMW251LD016	SPRING PULLEY	2
06-019	5MMX542SL004	PLATE RELEASE R	1
06-020	5MVG148NN003	GEAR HEAT Z35	1
06-021	5MVG138XN007	GEAR JOINT Z26	1
06-022	5MVG137DB026	GEAR IDLE Z21	1
06-023	5MVG127DB018	GEAR EXIT Z16	1
06-025	5MVX833XB001	GUIDE EXIT UP	1
06-026	5MMX633RD001	HOLDER LAMP R	1
06-027	5MMX321RD005	HOLDER LAMP L	1
06-028	5MVX732CB001	ACTUATOR JAM	1
06-029	5MMX732RD002	PLATE CORD	1
06-030	5AAPRLDC2004FH	BUSHING SBK	1
06-031	5MVX832XB001	GUIDE EXIT	1
06-032	5MMC852SL001	STAY FUSER	1
06-033	5MMX542SL003	PLATE RELEASE L	1
06-034	5MMT733SN001	SHAFT EXIT	1
06-035	5MMW172SB001	RING STOP	1
06-036	5MMT143SZ010	STUD SCREW SL	2
06-037	5MVVL721WN29	LABEL FUSER CAUTION	1
06-038	5EZPB2413320102	LAMP HEATER (240V)	1
06-038	5EZPB1216720102	LAMP HEATER (120V)	1
06-039	5EYFFQ18201**01	THERMOSTAT	1
06-040	5AAXTM008GEA	THERMISTOR ASSY	1
06-041	5AAPRIFC1003CH	Fuser PWB ASSY	1
06-042	5MVB322XB001	CAP FUSER	1

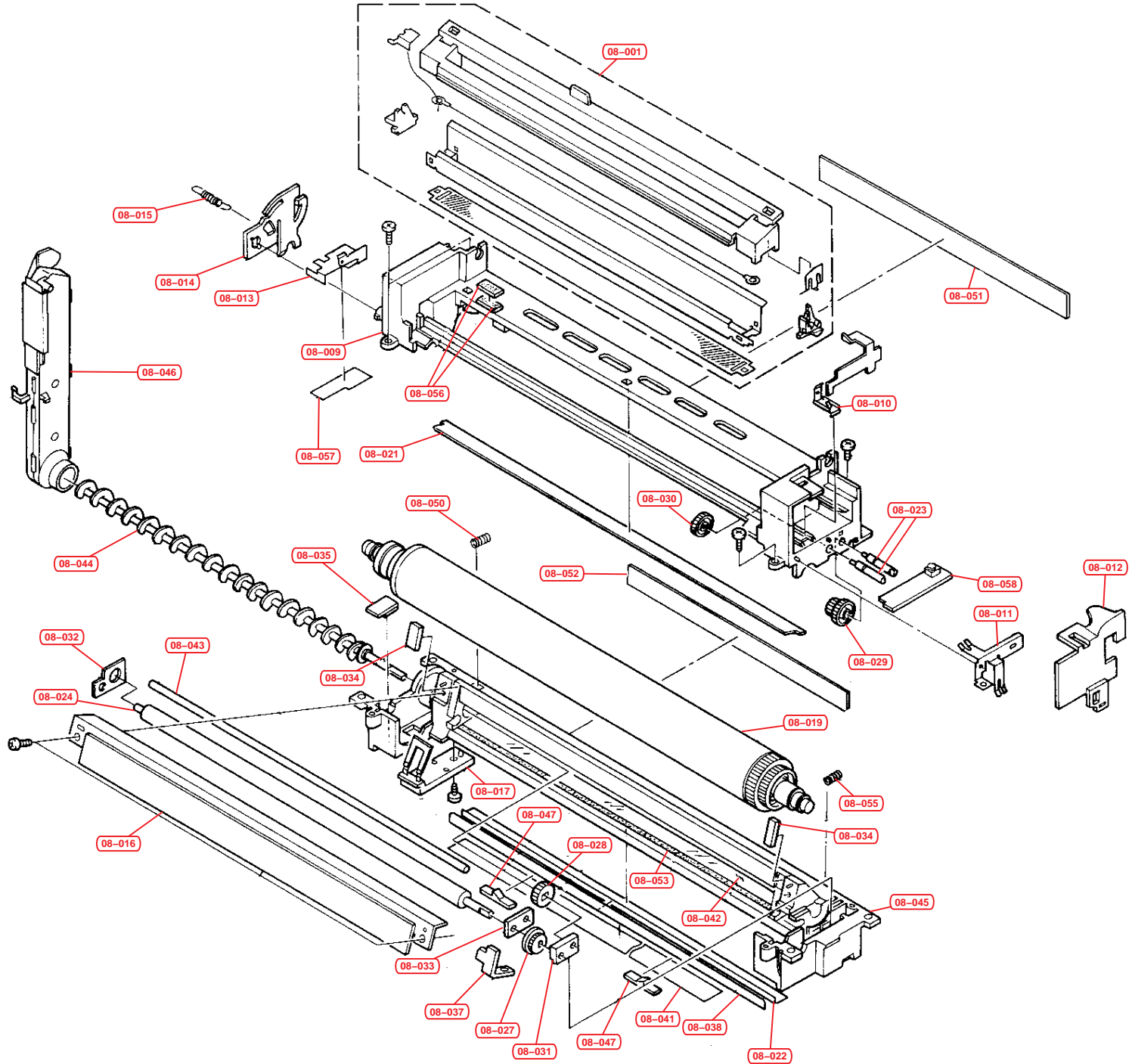
Ref No.	Part Code	Description	Quantity
06-043	5AACCNNN1GEA	CONN CORD S00951	1
06-044	5MMC831LD001	BRACKET FUSER	1
06-045	5MMF265SN001	PIN HINGE	1

Fig. 7 - Face Down Unit



Ref No.	Part Code	Description	Quantity
07-000	5AAY1550E*53	FACE DOWN UNIT	1
07-001	5MVX853SH001	GUIDE FD	1
07-002	5MVX831CB001	GUIDE CHANGE	1
07-003	5MVT873CB001	SHAFT FD	1
07-004	5MMX653SL008	PLATE HINGE R	1
07-005	5MMX663SL007	PLATE HINGE L	1
07-006	5MVX311DB006	ACTUATOR SOL	1
07-007	5MMW261LJ032	SPRING SOL	1
07-008	5MVS825XF001	BRUSH DISCHARGE	1
07-009	5MVG138DB020	GEAR FD Z30	2
07-010	5MMX632SL006	PLATE FD JOINT	1
07-011	5MVG127DB018	GEAR EXIT Z16	1
07-012	5MVM176DN009	BEARING	2
07-013	5MMW161LJ035	SPRING EARTH FD	1
07-014	5MVM320RB001	EXIT TYRE	2
<b>07-015</b>	<b>5MVB887SH026</b>	<b>COVER TOP</b>	<b>1</b>
07-016	5MVN260SH001	KNOB RELEASE	1
07-017	5MMW266LD002	SPRING KNOB	1
07-018	5MMX821SL001	PLATE BRUSH FD	1
07-020	5MVS825XF002	BUSH DISCHARGER FD	1
07-022	5MVM273DB002	PULLEY FD	2
07-023	5MMX322LD007	BRACKET PULLEY FD	2
<b>07-024</b>	<b>5EZSA2401020304</b>	<b>SOLENOID TDS-KN07A</b>	<b>1</b>
07-025	5MVVL732WN13	LABEL DIAGRAM	1
07-027	5MVM150RB008	RUBBER PIN	1
07-028	5MVS118RB017	CUSHION SOL	1

Fig. 8 - Drum Unit



Ref No.	Part Code	Description	Quantity
08-000	DK-54	DRUM KIT(5PLPZLWAPKE)240V	1
08-000	DK-54	DRUM KIT(5PLPZLXAUK1)120V	1
08-001	5AAY1550E*47	MCH ASSY	1
08-009	5MVB865CB004	FRAME DRUM UP	1
08-010	5MMX432LD004	PLATE ZENNER A	1
08-011	5MMX433LD003	PLATE ZENNER B	1
08-012	5MVL662SB002	COVER ZENNER	1
08-013	5MMZ322LD003	PLATE MCH	1
08-014	5MVL541SB002	CASE BELT HOLDER	1
08-015	5MMW341SX001	SPRING CASE BELT	1
08-016	5AAVBLADE025	BLADE ASSY	1
08-017	5AAY1550E*52	BRUSH L ASSY (240V)	1
08-017	5AAY1550A*19	BRUSH L ASSY (120V)	1
08-019	5AAY3400E*26	DRUM ASSY (240V)	1
08-019	5AAY3400A*14	DRUM ASSY (120V)	1
08-021	5AAXLD025GEA	LED ASSY	1
08-022	5MML821LD004	BRACKET SHEET	1
08-023	5MMT343SN003	PIN IDLER C	2
08-024	5MMT864RN002	ROLL CLN	1
08-027	5MVG126DB023	GEAR ROLL Z18H	1
08-028	5MVG137DB030	GEAR SCREW Z24	1
08-029	5MVG137DB055	GEAR Z18S-Z30H	1
08-030	5MVG137DB032	GEAR Z24	1
08-031	5MVQ211DN001	BUSH CLN	1
08-032	5MVQ321DN001	BUSH LEFT	1
08-033	5MVQ321DN003	BUSH RIGHT	1
08-034	5MVS218RN010	SEAL BLADE	2
08-035	5MVS328LN001	SEAL RING LEFT	1
08-036	5MVS428LN006	SEAL DRUM LEFT	1
08-037	5MVS428LN002	SEAL DRUM RIGHT	1
08-038	5MVS811RN002	SHEET ROLL	1
08-040	5MVS812XN001	TAPE ADHESIVE	1
08-041	5MVS721KN008	SHEET DRUM LOW	1
08-042	5MVS823KN001	SHEET SCRAPER	1
08-043	5MVT860SB001	ROLL MAGIC	1
08-044	5MVT864CB001	SCREW	1
08-045	5MVX864CB001	FRAME DRUM LOW	1
08-046	5AAY1550E*42	CASE BELT ASSY	1
08-047	5MVX511CB001	GUIDE DRUM	2
08-050	5MMW241LD004	SPRING ROLL A	1
08-051	5MMS831AX001	HEAT SEAL C	1
08-052	5MMS811AX001	HEAT SEAL B	1
08-053	5MVS817RF014	SHEET SPONGE B	1
08-054	5MVS112KF011	SPACE BUSH LEFT	1

Ref No.	Part Code	Description	Quantity
08-055	5MMW241LD008	SPRING ROLL C	1
08-056	5MVS217RF019	SHEET MCH	2
08-057	5MVS311XF003	SEAL PLATE MCH	1
08-058	5AAPRCZC1003BH	P.W. BOARD ASSY	1
08-060	5MVS812KN004	SHEET A	1
08-070	5AAPRCZC1003BH	P.W. BOARD ASSY	1



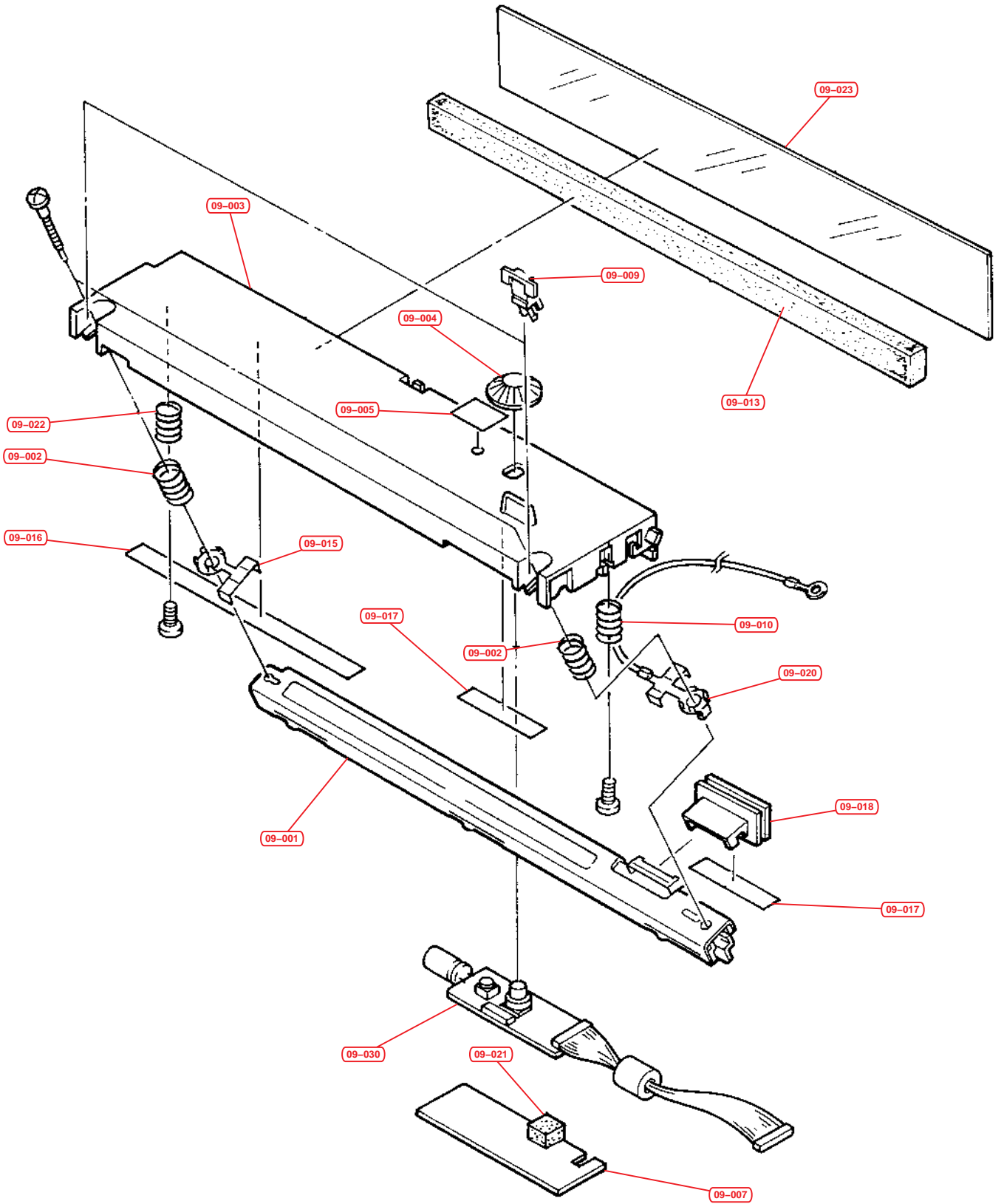


Fig.9 – LED Head Unit

Ref No.	Part Code	Description	Quantity
09-000	LK-57	LED UNIT 5PLPZMXAPKE (FS-3600)	1
09-000	LK-60	LED UNIT (FS-3600+)	1
09-001	5AAXLH007GEA	LED HEAD ASSY	1
09-002	5MMW271SZ001	SPRING LED	2
09-003	5MVB863SB015	FRAME LED	1
09-004	5MVN221DG001	KNOB LED VOLUME	1
09-005	5MVVL311WN19	LABEL LED HEAD	1
09-007	5MVS736SB001	PLATE LED	1
09-009	5MVX221DB013	SCREW COVER	2
09-010	5MMW271LD007	SPRING MCH A	1
09-013	5MVS832YF001	SEAL FRAME LED	1
09-015	5MMX221LD013	LED EARTH L	1
09-016	5MVS811KN012	SHEET LED FRAME A	1
09-017	5MVS311KN004	SHEET LED FRAME B	2
09-018	5MVX322SB017	CABLE COVER	1
09-020	5AAY1600E*07	LED EARTH R ASSY	1
09-021	5MVS211RB005	SHEET LED COVER	1
09-022	5MMW271LD008	SPRING MCH B	1
09-023	5MVS843KB001	SHEET FRAME LED	1
09-030	5AAPRLDC2004BH	P.W. BOARD ASSY	1

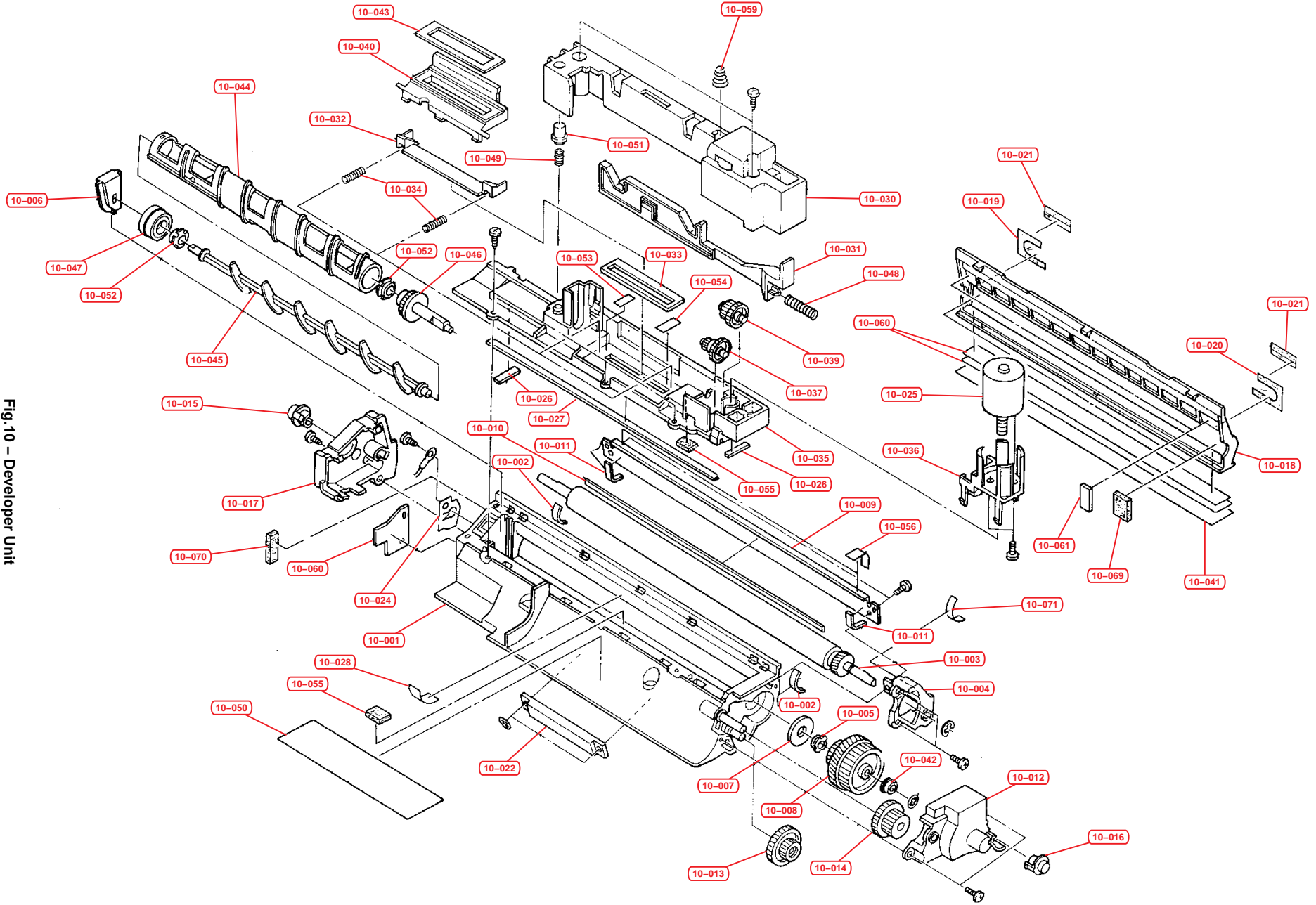


Fig.10 - Developer Unit

Ref No.	Part Code	Description	Quantity
<b>10-000</b>	<b>DV-54</b>	<b>DEVELOPER UNIT (5PLPZLUAPKE)</b>	<b>1</b>
10-001	5MVB866SB010	CASE DLP	1
10-002	5MVS321YF001	SEAL SIDE DLP	2
10-003	5AAVROLER024	ROLLER MAGNET	1
10-004	5MVX532SB005	HOLDER ROLL MAG	1
10-005	5MVM170DB005	BUSH MIXER B	1
10-006	5MVX432SB008	HOLDER BUSH MIXER	1
10-007	5MMX668RB001	OIL SEAL	1
10-008	5MVG148DB027	GEAR MIXER Z38-Z40	1
10-009	5MML821BD002	BLADE DLP	1
10-010	5MVS817RF009	SEAL BLADE	1
10-011	5MVS318RF013	SEAL BLADE SIDE	2
10-012	5MVB644SB003	COVER GEAR MAG	1
10-013	5MVG138DB046	GEAR IDLE Z29-Z14	1
10-014	5MVG138DB045	GEAR IDLE Z27-Z14	1
10-015	5MVF276SB003	CAP SHAFT MAG L	1
10-016	5MVF276SB002	CAP SHAFT MAG R	1
10-017	5MVB644SB002	COVER PWB	1
10-018	5MVX852SB006	COVER ROLL MAG	1
10-019	5MVS321KF009	SEAL COVER MAG L	1
10-020	5MVS321KF010	SEAL COVER MAG R	1
10-021	5MVS811KF018	SEAL COVER MAG	1
10-022	5AAXTS018GEA	TONER SENSOR ASSY	1
10-023	5AAM1500E*02	SHEET ROLLER MG ASSY	1
10-024	5MMS323LD001	PLATE BIAS	1
<b>10-025</b>	<b>5AAY1550E*45</b>	<b>TONER MOTOR ASSY</b>	<b>1</b>
10-026	5MVS417RF005	SEAL FRAME A	2
10-027	5MVS817RF010	SEAL FRAME C	2
10-028	5MVS421KN001	SENSOR FACE TAPE	1
10-030	5MVB864SB008	COVER DLP	1
10-031	5MVX752DG001	LEVER DLP	1
10-032	5MVX621DB001	SHUTTER DLP	1
10-033	5MVS628RF008	SEAL DLP	1
10-034	5MMW344LD001	SPRING SHUTTER	2
10-035	5MVX865SB005	LID DLP	1
10-036	5MVX543SB004	BRACKET MOTOR	1
10-037	5MVG026DB001	WORM WHEEL H28-Z14	1
10-039	5MVG137DB056	GEAR IDLE Z30-Z15	1
10-040	5MVX642SB007	COVER SHUTTER	1
10-041	5MVS822KF008	SEAL CASE BOTTOM	1
10-042	5MVM166DN004	BUSH MIXER GEAR	1
10-043	5MVS628RF009	SEAL SHUTTER	1
10-044	5MVM887SB002	TUBE MIXER	1
10-045	5MVM886DB001	SHAFT MIXER	1

Ref No.	Part Code	Description	Quantity
10-046	5MVF287SB003	FLANGE MIXER R	1
10-047	5MVF287SB002	FLANGE MIXER L	1
10-048	5MMW461LD006	SPRING LEVER	1
10-049	5MMW461LD007	SPRING LID	1
10-050	5MVVL732WN03	LABEL DLP	1
10-051	5MVM211SB003	CAP DLP	1
10-052	5MVM170XN001	BUSH MIXER	2
10-053	5MVS321KF012	SEAL SHUTTER SIDE L	1
10-054	5MVS321KF013	SEAL SHUTTER SIDE R	1
10-055	5MVS221KF021	SEAL LID	2
10-056	5MVS318RF014	SEAL BLACK A	2
10-059	5MMW261LJ034	SPRING CONTAINER	1
10-060	5MVS863KF002	SEAL MAG BOTTOM	2
10-061	5MVS321RF005	SEAL ROLL SIDE	2
10-069	5MVS211RF003	SEAL COVER UP	2
10-070	5MVS221RF003	SEAL CASE SPACER	1
10-071	5MVS221RF002	SEAL BRACKET	1
10-072	5MVS212EF002	SEAL LEVER	2