

PARTS LIST

[RX-F10S]

* All printed circuit boards and its assemblies are not available as service parts.

Area suffix

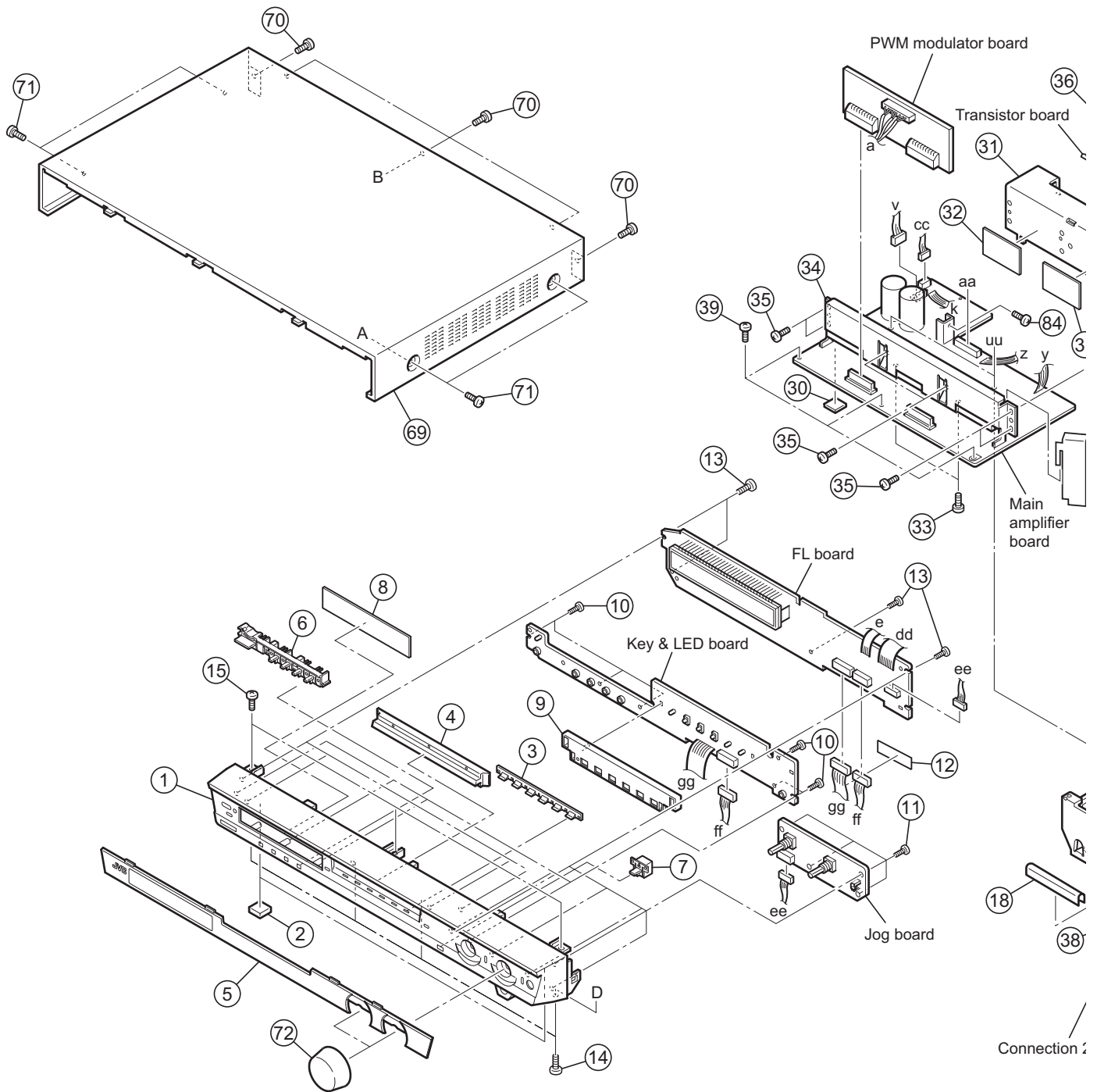
J ----- U.S.A.
C ----- Canada

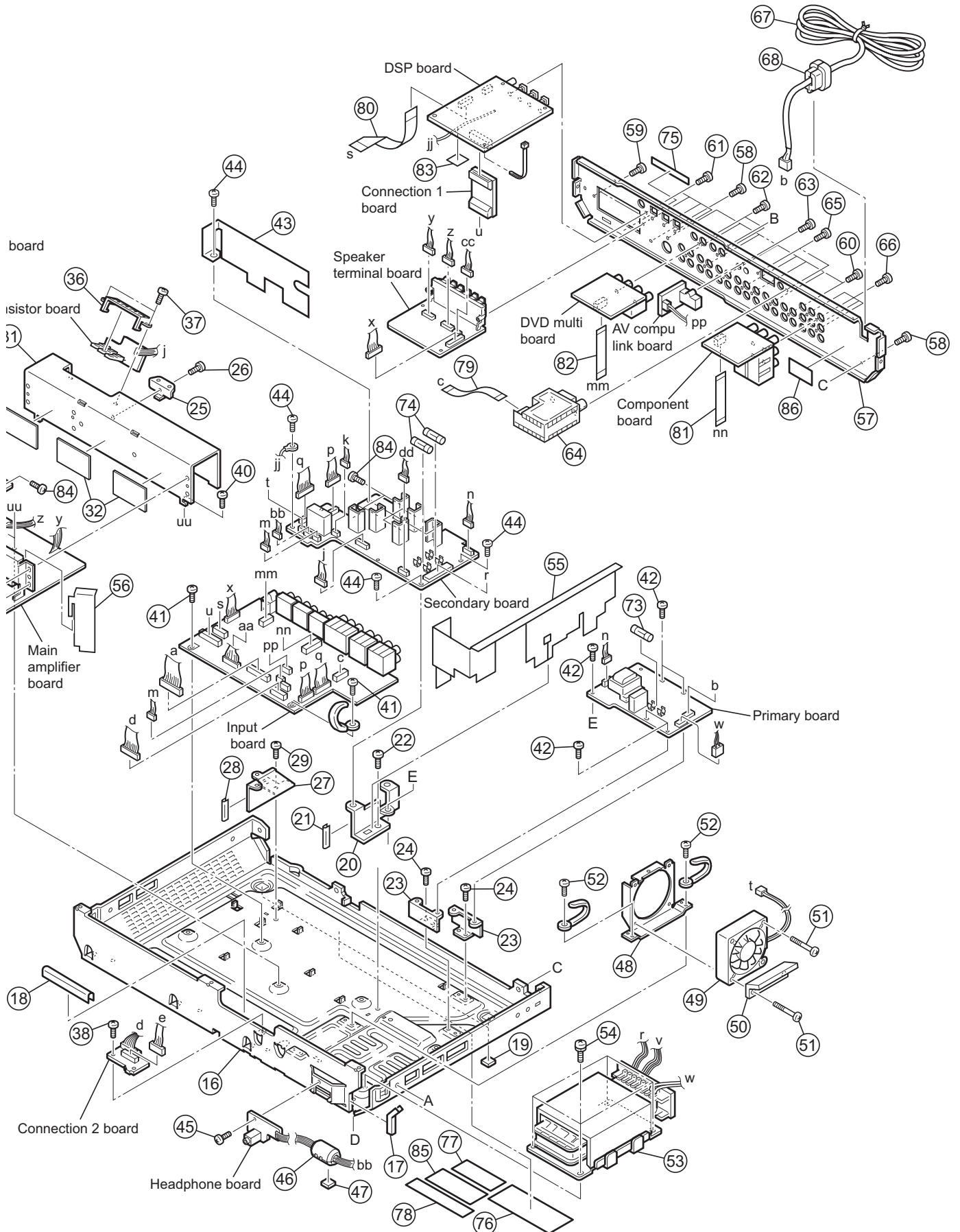
- Contents -

Exploded view of general assembly and parts list (Block No.M1)	3- 2
Electrical parts list (Block No.01~03)	3- 6
Packing materials and accessories parts list (Block No.M3)	3-22

Exploded view of general assembly and parts list

Block No. M 1 M M





General assembly

Block No. [M][1][M][M]

△	Symbol No.	Part No.	Part Name	Description	Local
	1	LV10867-006A	FRONT PANEL		
	2	LV43622-002A	FOOT	(x2)	
	3	LV34669-001A	INDICATOR		
	4	LV34668-002A	DISPLAY LENS		
	5	LV21636-005A	LENS		
	6	LV34671-001A	P.BUTTON(POWER)		
	7	LV34672-001A	P.BUTTON(SET)		
	8	LV43381-003A	FILTER		
	9	LV21697-001A	LED HOLDER		
	10	QYSBSF2608ZA	TAP SCREW	M2.6 x 8mm(x6)	
	11	QYSBSF2608ZA	TAP SCREW	M2.6 x 8mm(x4)	
	12	LV30225-0M7A	SPACER		
	13	QYSBSF2608ZA	TAP SCREW	M2.6 x 8mm(x4)	
	14	QYSBSG3006E	TAP SCREW	M3 x 6mm(x4)	
	15	QYSBSG3006E	TAP SCREW	M3 x 6mm(x3)	
	16	LV10868-004A	CHASSIS BASE		
	17	LV30225-0F4A	SPACER		
	18	LV30225-0T1A	SPACER		
	19	LV43622-002A	FOOT	(x2)	
	20	LV34681-002A	SUPPORT BRACKET		
	21	LV30225-0F4A	SPACER		
	22	QYSBST3005E	TAP SCREW	M3 x 5mm	
	23	LV34679-001A	PWB BRACKET	(x2)	
	24	QYSBST3005E	TAP SCREW	M3 x 5mm(x2)	
	25	LV34682-001A	C.B BRACKET		
	26	QYSBSG3006E	TAP SCREW	M3 x 6mm	
	27	LV34784-001A	SUPPORT BKT(B)		
	28	LV30225-0F4A	SPACER		
	29	QYSBST3005E	TAP SCREW	M3 x 5mm	
	30	LV30225-0U4A	SPACER		
	31	LV21638-002A	HEAT SINK		
	32	LV43915-001A	COOLING RUBBER	(x3)	
	33	QYSBSG3006E	TAP SCREW	M3 x 6mm(x2)	
	34	LV34675-001A	SHIELD BRACKET		
	35	QYSBSG3006E	TAP SCREW	M3 x 6mm(x6)	
	36	LV35043-002A	TRANSISTOR HOLD		
	37	QYSBSG3006E	TAP SCREW	M3 x 6mm(x2)	
	38	QYSBSG3006E	TAP SCREW	M3 x 6mm	
	39	QYSBSG3006E	TAP SCREW	M3 x 6mm(x3)	
	40	QYSBSGY3008E	TAP SCREW	M3 x 8mm(x2)	
	41	QYSBSG3006E	TAP SCREW	M3 x 6mm(x2)	
	42	QYSBSG3006E	TAP SCREW	M3 x 6mm(x5)	
	43	LV35294-002A	JACK COVER		
	44	QYSBSG3006E	TAP SCREW	M3 x 6mm(x4)	
	45	QYSBSG3006E	TAP SCREW	M3 x 6mm	
	46	QQR0491-001	FERRITE CORE	TDK (GRAY)	
	47	VYSH101-009	SPACER		
	48	LV34676-002A	FAN BRACKET		
	49	QAR0312-002	FAN MOTOR		
	50	LV35129-001A	FAN COVER		
	51	QYSBSG3020ZA	TAP SCREW	M3 x 20mm(x2)	
	52	QYSBST3005E	TAP SCREW	M3 x 5mm(x2)	
△	53	QQT0446-002	POWER TRANSF		
	54	QYSDSTL4006E	TAP SCREW	M4 x 6mm(x4)	
	55	LV35044-004A	DIVIDER		
	56	LV43929-001A	COVER		
	57	LV21639-031A	REAR PANEL		
	58	QYSBSGY3008E	TAP SCREW	M3 x 8mm(x2)	
	59	QYSBSGY3008E	TAP SCREW	M3 x 8mm(x2)	
	60	QYSBSGY3008E	TAP SCREW	M3 x 8mm(x8)	
	61	QYSBSGY3008E	TAP SCREW	M3 x 8mm(x4)	
	62	QYSBSGY3008E	TAP SCREW	M3 x 8mm(x2)	
	63	QYSBSGY3008E	TAP SCREW	M3 x 8mm	
	64	QAU0346-001	TUNER	TU 1	
	65	QYSBSGY3008E	TAP SCREW	M3 x 8mm(x2)	
	66	QYSBSGY3008E	TAP SCREW	M3 x 8mm(x4)	
△	67	QMPD380-200-JN	POWER CORD(US/CA)	2m BLACK	
△	68	QZW0033-001	STRAIN RELIEF		
	69	LV21640-004A/S/	TOP COVER		
	70	QYSBSGY3008E	TAP SCREW	M3 x 8mm(x5)	
	71	QYSDSG3008NA	TAP SCREW	M3 x 8mm(x4)	
	72	LV43684-002A	JOG KNOB ASSY	(x2)	
△	73	QMF51U1-3R15-J8	FUSE	F205	
△	74	QMF51U1-2R0-J8	FUSE	F202 F203(x2)	

△ Symbol No.	Part No.	Part Name	Description	Local
75	LV40232-002A	NUMBER LABEL		
76	LV43550-004A	LABEL		
77	VND4999-001	FCC LABEL (3)		F10SJ
78	LV41772-002A	CAUTION LABEL		
79	QUQ412-1111CJ	FFC WIRE		
80	QUQ412-1115CJ	FFC WIRE		
81	QUQ412-0515CJ	FFC WIRE		
82	QUQ412-0610CJ	FFC WIRE		
83	VYSH101-009	SPACER		
84	QYSBSG3008E	TAP SCREW	M3 x 8mm(x7)	
85	LV43835-001A	EMC LABEL		F10SC
86	LV43517-001A	FUSE CAUTION		

Electrical parts list

Main board

Block No. [0][1]

△ Symbol No.	Part No.	Part Name	Description	Local	△ Symbol No.	Part No.	Part Name	Description	Local
IC401	MN101C35DMF	IC			D423	SLR-343VC-T	LED		
IC402	GP1UM271XK	IR DETECT UNIT	38kHz		D424	SPR-325MVW/LJ-T	LED	GREEN-RED	
					D425	SPR-325MVW/LJ-T	LED	GREEN-RED	
					D426	SPR-325MVW/LJ-T	LED	GREEN-RED	
Q201	UN221M-X	DIGI TRANSISTOR			△ C201	QCZ9104-472	C CAPACITOR	4700pF	
Q203	KTC3203/OY-T	TRANSISTOR			C202	QFLC2AJ-472Z	M CAPACITOR	4700pF 100V J	
Q204	KTC3200/GLJ-T	TRANSISTOR			C203	QETN1EM-227Z	E CAPACITOR	220uF 25V M	
Q205	KTA1046/YI	TRANSISTOR			C205	NCB31HK-472X	C CAPACITOR	4700pF 50V K	
△ Q207	KTA1046/YI	TRANSISTOR			C206	QETN1CM-477Z	E CAPACITOR	470uF 16V M	
△ Q208	2SD2394/EF/	TRANSISTOR			C207	QFLC2AJ-104Z	M CAPACITOR	0.1uF 100V J	
△ Q209	2SD2394/EF/	TRANSISTOR			C208	QFLC2AJ-104Z	M CAPACITOR	0.1uF 100V J	
△ Q210	2SD2394/EF/	TRANSISTOR			C209	QFLC2AJ-104Z	M CAPACITOR	0.1uF 100V J	
△ Q211	2SD2394/EF/	TRANSISTOR			C210	QETM1EM-338	E CAPACITOR	3300uF 25V M	
△ Q212	2SD2394/EF/	TRANSISTOR			C211	QETM1EM-108	E CAPACITOR	1000uF 25V M	
△ Q213	2SD2394/EF/	TRANSISTOR			C212	QFLC1HJ-473Z	M CAPACITOR	0.047uF 50V J	
Q214	UN2111-X	TRANSISTOR			C213	QFLC1HJ-473Z	M CAPACITOR	0.047uF 50V J	
Q215	UN2211-X	TRANSISTOR			C214	QKCC1HM-105Z	E CAPACITOR	1uF 50V M	
Q216	UN2111-X	TRANSISTOR			C215	QETN1HM-476Z	E CAPACITOR	47uF 50V M	
Q217	UN2211-X	TRANSISTOR			△ C217	QFZ9075-224	MPP CAPACITOR	0.22uF AC275V M	
Q218	UN2111-X	TRANSISTOR			C221	QETN1CM-107Z	E CAPACITOR	100uF 16V M	
Q219	UN2211-X	TRANSISTOR			C222	QETN1CM-107Z	E CAPACITOR	100uF 16V M	
Q220	UN2215-X	TRANSISTOR			C223	QETN1CM-107Z	E CAPACITOR	100uF 16V M	
Q221	UN2215-X	TRANSISTOR			C224	QETM1EM-108	E CAPACITOR	1000uF 25V M	
Q222	UN2215-X	TRANSISTOR			C225	QETN1CM-107Z	E CAPACITOR	100uF 16V M	
Q223	UN2215-X	TRANSISTOR			C226	QETN1CM-107Z	E CAPACITOR	100uF 16V M	
Q224	UN2215-X	TRANSISTOR			C227	QETN1CM-107Z	E CAPACITOR	100uF 16V M	
Q225	UN221M-X	DIGI TRANSISTOR			C231	QETN1CM-107Z	E CAPACITOR	100uF 16V M	
△ Q226	2SD2394/EF/	TRANSISTOR			C241	QETN1HM-227Z	E CAPACITOR	220uF 50V M	
Q231	UN2211-X	TRANSISTOR			C242	QETN2AM-107Z	E CAPACITOR	100uF 100V M	
Q401	UN2214-X	TRANSISTOR			C243	QETN2AM-107Z	E CAPACITOR	100uF 100V M	
Q403	UN2110-X	DIGI TRANSISTOR			C251	QETN1CM-226Z	E CAPACITOR	22uF 16V M	
Q404	UN2114-X	TRANSISTOR			C401	NCB31HK-103X	C CAPACITOR	0.01uF 50V K	
Q405	UN2114-X	TRANSISTOR			C402	NCB31HK-103X	C CAPACITOR	0.01uF 50V K	
Q406	UN2114-X	TRANSISTOR			C403	NCB31HK-103X	C CAPACITOR	0.01uF 50V K	
Q407	UN2114-X	TRANSISTOR			C404	NCB31HK-103X	C CAPACITOR	0.01uF 50V K	
Q408	UN2114-X	TRANSISTOR			C405	NCB31HK-103X	C CAPACITOR	0.01uF 50V K	
Q409	UN2114-X	TRANSISTOR			C406	QCZ0202-155Z	C CAPACITOR	1.5uF 25V Z	
Q410	UN2214-X	TRANSISTOR			C407	QKCC0JM-107Z	E CAPACITOR	100uF 6.3V M	
					C408	QKCC0JM-107Z	E CAPACITOR	100uF 6.3V M	
△ D201	1A3G-T1	SI DIODE			C409	QKCC1HM-475Z	E CAPACITOR	4.7uF 50V M	
△ D202	1A3G-T1	SI DIODE			C410	QER61HM-475Z	E CAPACITOR	4.7uF 50V M	
△ D203	1A3G-T1	SI DIODE			C411	QKCC1HM-475Z	E CAPACITOR	4.7uF 50V M	
△ D204	1A3G-T1	SI DIODE			C412	NCF31CZ-104X	C CAPACITOR	0.1uF 16V Z	
D205	MA111-X	SI DIODE			C413	NCF31CZ-104X	C CAPACITOR	0.1uF 16V Z	
D207	MTZJ6.2C-T2	Z DIODE			C414	NCF31CZ-104X	C CAPACITOR	0.1uF 16V Z	
△ D208	1A3G-T1	SI DIODE			C415	NCF31CZ-104X	C CAPACITOR	0.1uF 16V Z	
△ D209	1A3G-T1	SI DIODE			C421	NCB31HK-102X	C CAPACITOR	1000pF 50V K	
△ D210	1A3G-T1	SI DIODE			C429	NCB31HK-103X	C CAPACITOR	0.01uF 50V K	
△ D211	1A3G-T1	SI DIODE			C431	NCB31EK-104X	C CAPACITOR	0.1uF 25V K	
D212	1A3G-T1	SI DIODE			C432	NCB31EK-104X	C CAPACITOR	0.1uF 25V K	
D213	1A3G-T1	SI DIODE			C433	NCB31EK-104X	C CAPACITOR	0.1uF 25V K	
D215	MTZJ7.5C-T2	Z DIODE			C434	NCB31EK-104X	C CAPACITOR	0.1uF 25V K	
D216	MTZJ7.5C-T2	Z DIODE							
D217	MTZJ6.2C-T2	Z DIODE			△ R201	QRZ9037-335	COMP RESISTOR	3.3MΩ 1/2W K	
D218	MTZJ10B-T2	Z DIODE			△ R202	QRJ146J-100X	UNF C RESISTOR	10Ω 1/4W J	
D219	MTZJ5.6C-T2	Z DIODE			△ R203	QRJ146J-100X	UNF C RESISTOR	10Ω 1/4W J	
D220	MTZJ5.6C-T2	Z DIODE			△ R206	QRJ146J-821X	UNF C RESISTOR	820Ω 1/4W J	
D221	MA111-X	SI DIODE			△ R207	QRJ146J-5R6X	UNF C RESISTOR	5.6Ω 1/4W J	
D222	1A3G-T1	SI DIODE			R208	NRSA63J-104X	MG RESISTOR	100kΩ 1/16W J	
D223	MTZJ27B-T2	Z DIODE			△ R209	QRJ146J-100X	UNF C RESISTOR	10Ω 1/4W J	
D224	MTZJ6.2C-T2	Z DIODE			△ R210	QRZ9005-100X	FUSI RESISTOR	10Ω	
D225	MA111-X	SI DIODE			△ R211	QRK126J-562X	UNF C RESISTOR	5.6kΩ 1/2W J	
D227	MTZJ7.5C-T2	Z DIODE			△ R215	QRZ9005-100X	FUSI RESISTOR	10Ω	
△ D231	1A3G-T1	SI DIODE			△ R216	QRJ146J-152X	UNF C RESISTOR	1.5kΩ 1/4W J	
△ D233	1A3G-T1	SI DIODE			△ R217	QRZ9006-8R2X	FUSI RESISTOR	8.2Ω	
△ D234	1A3G-T1	SI DIODE			△ R218	QRJ146J-152X	UNF C RESISTOR	1.5kΩ 1/4W J	
D235	MA111-X	SI DIODE			R219	NRSA63J-223X	MG RESISTOR	22kΩ 1/16W J	
D407	SLR-343VC-T	LED			R220	NRSA63J-473X	MG RESISTOR	47kΩ 1/16W J	
D408	SELU2E10C-P	LED			△ R221	QRZ9005-100X	FUSI RESISTOR	10Ω	
D409	SELU2E10C-P	LED			△ R222	QRJ146J-332X	UNF C RESISTOR	3.3kΩ 1/4W J	
D410	MA111-X	SI DIODE			R223	NRSA63J-102X	MG RESISTOR	1kΩ 1/16W J	
D421	SLR-343VC-T	LED			R224	NRSA63J-104X	MG RESISTOR	100kΩ 1/16W J	
D422	SLR-343VC-T	LED			△ R225	QRZ9005-100X	FUSI RESISTOR	10Ω	

△ Symbol No.	Part No.	Part Name	Description Local	△ Symbol No.	Part No.	Part Name	Description Local
IC811	NJU7109F3-X	IC		Q1903	2SA1514K/RS/-X	TRANSISTOR	
IC812	NJU7109F3-X	IC		Q1904	2SA1514K/RS/-X	TRANSISTOR	
△ IC821	JCV8014	IC		Q1905	2SA1514K/RS/-X	TRANSISTOR	
IC822	SN74HC08NS-X	IC		Q1906	2SA1514K/RS/-X	TRANSISTOR	
IC823	SN74HC08NS-X	IC		Q1907	2SA1514K/RS/-X	TRANSISTOR	
IC824	SN74HC86NS-X	IC		Q1908	2SA1514K/RS/-X	TRANSISTOR	
IC871	NJM4565M-WE	IC		Q2301	UN2211-X	TRANSISTOR	
IC901	NJM4580M-X	IC		Q2801	UN2211-X	TRANSISTOR	
IC902	NJM2115V-W	IC		Q2901	UN2211-X	TRANSISTOR	
IC904	NJM4580M-X	IC					
IC911	NJU7109F3-X	IC		D371	MA704A-X	S.K.DIODE	
IC912	NJU7109F3-X	IC		D372	MA704A-X	S.K.DIODE	
△ IC921	JCV8014	IC		△ D701	30PRA20-FC	SI DIODE	
IC922	SN74HC08NS-X	IC		△ D702	30PRA20-FC	SI DIODE	
IC923	SN74HC08NS-X	IC		△ D703	30PRA20-FC	SI DIODE	
IC924	SN74HC86NS-X	IC		△ D704	30PRA20-FC	SI DIODE	
IC971	NJM4565M-WE	IC		D705	MA111-X	SI DIODE	
				D712	ERA18-04-T1	FR DIODE	
Q301	UMY1N-W	TRANSISTOR		D713	UDZS6.2B-X	Z DIODE	
Q302	UMY1N-W	TRANSISTOR		D714	UDZS8.2B-X	Z DIODE	
Q303	KTA1268/GL/-T	TRANSISTOR		D715	UDZS5.1B-X	Z DIODE	
Q304	KTA1268/GL/-T	TRANSISTOR		D716	MA111-X	SI DIODE	
Q711	UN2213-X	DIGI TRANSISTOR		D717	UDZS16B-X	Z DIODE	
Q712	UN2213-X	DIGI TRANSISTOR		D718	MA111-X	SI DIODE	
Q713	UN2213-X	DIGI TRANSISTOR		D719	UDZS6.2B-X	Z DIODE	
Q714	UN2213-X	DIGI TRANSISTOR		D721	MA111-X	SI DIODE	
Q715	UN2213-X	DIGI TRANSISTOR		D722	MA111-X	SI DIODE	
Q716	UN2213-X	DIGI TRANSISTOR		D723	UDZS16B-X	Z DIODE	
Q721	UN2211-X	TRANSISTOR		D725	UDZS7.5B-X	Z DIODE	
△ Q722	KTA1046/Y/	TRANSISTOR		D726	UDZS7.5B-X	Z DIODE	
Q723	KTC3199/GL/-T	TRANSISTOR		D727	UDZS20B-X	Z DIODE	
Q724	KTC3199/GL/-T	TRANSISTOR		D728	UDZS20B-X	Z DIODE	
△ Q725	KTA1046/Y/	TRANSISTOR		D729	UDZS6.8B-X	Z DIODE	
Q726	2SC2812N/6/-X	TRANSISTOR		D735	MA111-X	SI DIODE	
Q727	UN2113-X	TRANSISTOR		D736	MA111-X	SI DIODE	
Q728	UN2211-X	TRANSISTOR		D741	UDZS6.8B-X	Z DIODE	
Q731	UN2110-X	DIGI TRANSISTOR		D742	MA111-X	SI DIODE	
Q732	UN2211-X	TRANSISTOR		D743	MA111-X	SI DIODE	
Q741	UN2211-X	TRANSISTOR		D744	MA111-X	SI DIODE	
Q742	UN221M-X	DIGI TRANSISTOR		D745	MA111-X	SI DIODE	
Q743	2SD601A/RS/-X	TRANSISTOR		D871	MA704A-X	S.K.DIODE	
Q744	2SB709A/Q/-X	TRANSISTOR		D872	MA704A-X	S.K.DIODE	
Q745	2SD601A/RS/-X	TRANSISTOR		D971	MA704A-X	S.K.DIODE	
Q751	UN211M-X	DIGI TRANSISTOR		D972	MA704A-X	S.K.DIODE	
Q752	2SB709A/QR/-X	TRANSISTOR		D1301	MA111-X	SI DIODE	
Q753	2SB709A/QR/-X	TRANSISTOR		D1302	MA111-X	SI DIODE	
Q754	2SB709A/QR/-X	TRANSISTOR		D1303	MA111-X	SI DIODE	
Q755	2SB709A/QR/-X	TRANSISTOR		D1304	MA111-X	SI DIODE	
Q756	UN221K-X	TRANSISTOR		D1305	MA111-X	SI DIODE	
Q757	UN221K-X	TRANSISTOR		D1306	MA111-X	SI DIODE	
Q758	UN221K-X	TRANSISTOR		D1307	MA111-X	SI DIODE	
Q759	UN221K-X	TRANSISTOR		D1308	MA111-X	SI DIODE	
Q801	UMY1N-W	TRANSISTOR		D1311	MA111-X	SI DIODE	
Q802	UMY1N-W	TRANSISTOR		D1312	MA111-X	SI DIODE	
Q803	KTA1268/GL/-T	TRANSISTOR		D1313	MA111-X	SI DIODE	
Q804	KTA1268/GL/-T	TRANSISTOR		D1314	MA111-X	SI DIODE	
Q901	UMY1N-W	TRANSISTOR		D1351	MA111-X	SI DIODE	
Q902	UMY1N-W	TRANSISTOR		D1801	MA111-X	SI DIODE	
Q903	KTA1268/GL/-T	TRANSISTOR		D1802	MA111-X	SI DIODE	
Q904	KTA1268/GL/-T	TRANSISTOR		D1803	MA111-X	SI DIODE	
Q1301	2SA1514K/RS/-X	TRANSISTOR		D1804	MA111-X	SI DIODE	
Q1302	2SA1514K/RS/-X	TRANSISTOR		D1805	MA111-X	SI DIODE	
Q1303	2SA1514K/RS/-X	TRANSISTOR		D1806	MA111-X	SI DIODE	
Q1304	2SA1514K/RS/-X	TRANSISTOR		D1807	MA111-X	SI DIODE	
Q1305	2SA1514K/RS/-X	TRANSISTOR		D1808	MA111-X	SI DIODE	
Q1306	2SA1514K/RS/-X	TRANSISTOR		D1811	MA111-X	SI DIODE	
Q1307	2SA1514K/RS/-X	TRANSISTOR		D1812	MA111-X	SI DIODE	
Q1308	2SA1514K/RS/-X	TRANSISTOR		D1813	MA111-X	SI DIODE	
Q1801	2SA1514K/RS/-X	TRANSISTOR		D1814	MA111-X	SI DIODE	
Q1802	2SA1514K/RS/-X	TRANSISTOR		D1851	MA111-X	SI DIODE	
Q1803	2SA1514K/RS/-X	TRANSISTOR		D1901	MA111-X	SI DIODE	
Q1804	2SA1514K/RS/-X	TRANSISTOR		D1902	MA111-X	SI DIODE	
Q1805	2SA1514K/RS/-X	TRANSISTOR		D1903	MA111-X	SI DIODE	
Q1806	2SA1514K/RS/-X	TRANSISTOR		D1904	MA111-X	SI DIODE	
Q1807	2SA1514K/RS/-X	TRANSISTOR		D1905	MA111-X	SI DIODE	
Q1808	2SA1514K/RS/-X	TRANSISTOR		D1906	MA111-X	SI DIODE	
Q1901	2SA1514K/RS/-X	TRANSISTOR		D1907	MA111-X	SI DIODE	
Q1902	2SA1514K/RS/-X	TRANSISTOR		D1908	MA111-X	SI DIODE	

△ Symbol No.	Part No.	Part Name	Description	Local	△ Symbol No.	Part No.	Part Name	Description	Local
D1911	MA111-X	SI DIODE			C373	QEKC1HM-105Z	E CAPACITOR	1uF 50V M	
D1912	MA111-X	SI DIODE			C374	QEKC1HM-105Z	E CAPACITOR	1uF 50V M	
D1913	MA111-X	SI DIODE			C375	QEKC1HM-475Z	E CAPACITOR	4.7uF 50V M	
D1914	MA111-X	SI DIODE			C376	QEKC1HM-475Z	E CAPACITOR	4.7uF 50V M	
D1951	MA111-X	SI DIODE			C381	NCB31HK-152X	C CAPACITOR	1500pF 50V K	
D1952	MA111-X	SI DIODE			C382	NCB31HK-152X	C CAPACITOR	1500pF 50V K	
D2301	MA111-X	SI DIODE			C701	QEZ0680-688	E CAPACITOR	6800uF	
D2302	MA111-X	SI DIODE			C702	QEZ0680-688	E CAPACITOR	6800uF	
D2303	MA111-X	SI DIODE			△ C703	QFZ9076-104Z	MM CAPACITOR	0.1uF	
D2304	MA111-X	SI DIODE			△ C704	QFZ9076-104Z	MM CAPACITOR	0.1uF	
D2311	MA111-X	SI DIODE			△ C705	QFZ9076-104Z	MM CAPACITOR	0.1uF	
D2312	MA111-X	SI DIODE			C711	NDC31HJ-471X	C CAPACITOR	470pF 50V J	
D2313	MA111-X	SI DIODE			C712	NDC31HJ-471X	C CAPACITOR	470pF 50V J	
D2314	MA111-X	SI DIODE			C713	NDC31HJ-471X	C CAPACITOR	470pF 50V J	
D2321	MA111-X	SI DIODE			C714	NDC31HJ-471X	C CAPACITOR	470pF 50V J	
D2322	MA111-X	SI DIODE			C715	NDC31HJ-101X	C CAPACITOR	100pF 50V J	
D2323	MA111-X	SI DIODE			C716	NDC31HJ-101X	C CAPACITOR	100pF 50V J	
D2324	MA111-X	SI DIODE			C717	NDC31HJ-101X	C CAPACITOR	100pF 50V J	
D2325	MA111-X	SI DIODE			C718	NDC31HJ-101X	C CAPACITOR	100pF 50V J	
D2801	MA111-X	SI DIODE			C719	QETN1EM-107Z	E CAPACITOR	100uF 25V M	
D2802	MA111-X	SI DIODE			C720	QETN1EM-107Z	E CAPACITOR	100uF 25V M	
D2803	MA111-X	SI DIODE			C721	NCB31CK-104X	C CAPACITOR	0.1uF 16V K	
D2804	MA111-X	SI DIODE			C722	NCB21CK-334X	C CAPACITOR	0.33uF 16V K	
D2811	MA111-X	SI DIODE			C723	NDC31HJ-101X	C CAPACITOR	100pF 50V J	
D2812	MA111-X	SI DIODE			C728	NCB31CK-104X	C CAPACITOR	0.1uF 16V K	
D2813	MA111-X	SI DIODE			C729	NCB31CK-104X	C CAPACITOR	0.1uF 16V K	
D2814	MA111-X	SI DIODE			C730	NCB31CK-104X	C CAPACITOR	0.1uF 16V K	
D2821	MA111-X	SI DIODE			C731	QETN1EM-476Z	E CAPACITOR	47uF 25V M	
D2822	MA111-X	SI DIODE			C732	QETN1EM-476Z	E CAPACITOR	47uF 25V M	
D2823	MA111-X	SI DIODE			C735	QFVF1HJ-104Z	MF CAPACITOR	0.1uF 50V J	
D2824	MA111-X	SI DIODE			C736	NCF21HZ-105X	C CAPACITOR	1uF 50V Z	
D2825	MA111-X	SI DIODE			C741	QETN1HM-107Z	E CAPACITOR	100uF 50V M	
D2901	MA111-X	SI DIODE			C742	QETN1EM-476Z	E CAPACITOR	47uF 25V M	
D2902	MA111-X	SI DIODE			C743	NCB31HK-472X	C CAPACITOR	4700pF 50V K	
D2903	MA111-X	SI DIODE			C744	QETN1CM-107Z	E CAPACITOR	100uF 16V M	
D2904	MA111-X	SI DIODE			C745	QETN1CM-107Z	E CAPACITOR	100uF 16V M	
D2911	MA111-X	SI DIODE			C746	QETN1CM-107Z	E CAPACITOR	100uF 16V M	
D2912	MA111-X	SI DIODE			C747	QFVF1HJ-104Z	MF CAPACITOR	0.1uF 50V J	
D2913	MA111-X	SI DIODE			C751	QETN1AM-476Z	E CAPACITOR	47uF 10V M	
D2914	MA111-X	SI DIODE			C761	QETN1CM-107Z	E CAPACITOR	100uF 16V M	
D2921	MA111-X	SI DIODE			C762	QETN1CM-107Z	E CAPACITOR	100uF 16V M	
D2922	MA111-X	SI DIODE			C763	QETN1CM-107Z	E CAPACITOR	100uF 16V M	
D2923	MA111-X	SI DIODE			C764	QETN1CM-107Z	E CAPACITOR	100uF 16V M	
D2924	MA111-X	SI DIODE			C775	NDC31HJ-101X	C CAPACITOR	100pF 50V J	
D2925	MA111-X	SI DIODE			C776	NDC31HJ-101X	C CAPACITOR	100pF 50V J	
C301	QEKC1HM-105Z	E CAPACITOR	1uF 50V M		C777	NCF31CZ-104X	C CAPACITOR	0.1uF 16V Z	
C302	QEKC1HM-105Z	E CAPACITOR	1uF 50V M		C778	NCF31CZ-104X	C CAPACITOR	0.1uF 16V Z	
C303	QETN1CM-107Z	E CAPACITOR	100uF 16V M		C801	QEKC1HM-105Z	E CAPACITOR	1uF 50V M	
C304	QETN1CM-107Z	E CAPACITOR	100uF 16V M		C802	QEKC1HM-105Z	E CAPACITOR	1uF 50V M	
C305	NCB31HK-221X	C CAPACITOR	220pF 50V K		C803	QETN1CM-107Z	E CAPACITOR	100uF 16V M	
C306	NCB31HK-221X	C CAPACITOR	220pF 50V K		C804	QETN1CM-107Z	E CAPACITOR	100uF 16V M	
C307	NDC31HJ-221X	C CAPACITOR	220pF 50V J		C805	NCB31HK-221X	C CAPACITOR	220pF 50V K	
C308	NDC31HJ-221X	C CAPACITOR	220pF 50V J		C806	NCB31HK-221X	C CAPACITOR	220pF 50V K	
C309	NCB31HK-222X	C CAPACITOR	2200pF 50V K		C807	NDC31HJ-221X	C CAPACITOR	220pF 50V J	
C310	NCB31HK-222X	C CAPACITOR	2200pF 50V K		C808	NDC31HJ-221X	C CAPACITOR	220pF 50V J	
C311	NCB31HK-472X	C CAPACITOR	4700pF 50V K		C809	NCB31HK-222X	C CAPACITOR	2200pF 50V K	
C312	NCB31HK-472X	C CAPACITOR	4700pF 50V K		C810	NCB31HK-222X	C CAPACITOR	2200pF 50V K	
C313	NDC31HJ-181X	C CAPACITOR	180pF 50V J		C811	NCB31HK-472X	C CAPACITOR	4700pF 50V K	
C314	NDC31HJ-181X	C CAPACITOR	180pF 50V J		C812	NCB31HK-472X	C CAPACITOR	4700pF 50V K	
C315	NCB31HK-222X	C CAPACITOR	2200pF 50V K		C813	NDC31HJ-181X	C CAPACITOR	180pF 50V J	
C316	NCB31HK-222X	C CAPACITOR	2200pF 50V K		C814	NDC31HJ-181X	C CAPACITOR	180pF 50V J	
C317	NCB31HK-681X	C CAPACITOR	680pF 50V K		C815	NCB31HK-222X	C CAPACITOR	2200pF 50V K	
C318	NCB31HK-681X	C CAPACITOR	680pF 50V K		C816	NCB31HK-222X	C CAPACITOR	2200pF 50V K	
C319	NCF31AZ-105X	C CAPACITOR	1uF 10V Z		C817	NCB31HK-681X	C CAPACITOR	680pF 50V K	
C320	NCF31AZ-105X	C CAPACITOR	1uF 10V Z		C818	NCB31HK-681X	C CAPACITOR	680pF 50V K	
C327	NCB31EK-104X	C CAPACITOR	0.1uF 25V K		C819	NCF31AZ-105X	C CAPACITOR	1uF 10V Z	
C328	NCB31EK-104X	C CAPACITOR	0.1uF 25V K		C820	NCF31AZ-105X	C CAPACITOR	1uF 10V Z	
C331	NCB31EK-104X	C CAPACITOR	0.1uF 25V K		C827	NCB31EK-104X	C CAPACITOR	0.1uF 25V K	
C332	NCB31EK-104X	C CAPACITOR	0.1uF 25V K		C828	NCB31EK-104X	C CAPACITOR	0.1uF 25V K	
C333	NCB31EK-104X	C CAPACITOR	0.1uF 25V K		C831	NCB31EK-104X	C CAPACITOR	0.1uF 25V K	
C334	NCB31EK-104X	C CAPACITOR	0.1uF 25V K		C832	NCB31EK-104X	C CAPACITOR	0.1uF 25V K	
C335	NCB31HK-682X	C CAPACITOR	6800pF 50V K		C833	NCB31EK-104X	C CAPACITOR	0.1uF 25V K	
C336	NCB31HK-682X	C CAPACITOR	6800pF 50V K		C834	NCB31EK-104X	C CAPACITOR	0.1uF 25V K	
C337	NDC31HJ-470X	C CAPACITOR	47pF 50V J		C835	NCB31HK-682X	C CAPACITOR	6800pF 50V K	
C338	NDC31HJ-470X	C CAPACITOR	47pF 50V J		C836	NCB31HK-682X	C CAPACITOR	6800pF 50V K	
C371	QEKC1HM-105Z	E CAPACITOR	1uF 50V M		C837	NDC31HJ-470X	C CAPACITOR	47pF 50V J	
C372	QEKC1HM-105Z	E CAPACITOR	1uF 50V M		C838	NDC31HJ-470X	C CAPACITOR	47pF 50V J	
					C871	QEKC1HM-105Z	E CAPACITOR	1uF 50V M	

△ Symbol No.	Part No.	Part Name	Description	Local	△ Symbol No.	Part No.	Part Name	Description	Local
C872	QEKC1HM-105Z	E CAPACITOR	1uF 50V M		C1389	NCF21HZ-105X	C CAPACITOR	1uF 50V Z	
C873	QEKC1HM-105Z	E CAPACITOR	1uF 50V M		C1392	NCF21HZ-105X	C CAPACITOR	1uF 50V Z	
C874	QEKC1HM-105Z	E CAPACITOR	1uF 50V M		C1397	NCF21HZ-105X	C CAPACITOR	1uF 50V Z	
C875	QEKC1HM-475Z	E CAPACITOR	4.7uF 50V M		C1400	NCF21HZ-105X	C CAPACITOR	1uF 50V Z	
C876	QEKC1HM-475Z	E CAPACITOR	4.7uF 50V M		C1401	NCF21HZ-105X	C CAPACITOR	1uF 50V Z	
C881	NCB31HK-152X	C CAPACITOR	1500pF 50V K		C1404	NCF21HZ-105X	C CAPACITOR	1uF 50V Z	
C882	NCB31HK-152X	C CAPACITOR	1500pF 50V K		C1405	NCF21HZ-105X	C CAPACITOR	1uF 50V Z	
C901	QEKC1HM-105Z	E CAPACITOR	1uF 50V M		C1801	QEHR1HM-107Z	E CAPACITOR	100uF 50V M	
C902	QEKC1HM-105Z	E CAPACITOR	1uF 50V M		C1802	QEHR1HM-107Z	E CAPACITOR	100uF 50V M	
C903	QETN1CM-107Z	E CAPACITOR	100uF 16V M		C1803	QEHR1HM-107Z	E CAPACITOR	100uF 50V M	
C904	QETN1CM-107Z	E CAPACITOR	100uF 16V M		C1804	QEHR1HM-107Z	E CAPACITOR	100uF 50V M	
C905	NCB31HK-221X	C CAPACITOR	220pF 50V K		C1805	QFKC2AJ-564Z	MM CAPACITOR	0.56uF 100V J	
C906	NCB31HK-221X	C CAPACITOR	220pF 50V K		C1806	QFKC2AJ-564Z	MM CAPACITOR	0.56uF 100V J	
C907	NDC31HJ-221X	C CAPACITOR	220pF 50V J		C1807	NCB21HK-104X	C CAPACITOR	0.1uF 50V K	
C908	NDC31HJ-221X	C CAPACITOR	220pF 50V J		C1808	NCB21HK-104X	C CAPACITOR	0.1uF 50V K	
C909	NCB31HK-222X	C CAPACITOR	2200pF 50V K		C1813	QFVF1HJ-474Z	MF CAPACITOR	0.47uF 50V J	
C910	NCB31HK-222X	C CAPACITOR	2200pF 50V K		C1814	QFVF1HJ-474Z	MF CAPACITOR	0.47uF 50V J	
C911	NCB31HK-472X	C CAPACITOR	4700pF 50V K		C1815	NCB21HK-104X	C CAPACITOR	0.1uF 50V K	
C912	NCB31HK-472X	C CAPACITOR	4700pF 50V K		C1816	NCB21HK-104X	C CAPACITOR	0.1uF 50V K	
C913	NDC31HJ-181X	C CAPACITOR	180pF 50V J		C1819	NCB21HK-104X	C CAPACITOR	0.1uF 50V K	
C914	NDC31HJ-181X	C CAPACITOR	180pF 50V J		C1820	NCB21HK-104X	C CAPACITOR	0.1uF 50V K	
C915	NCB31HK-222X	C CAPACITOR	2200pF 50V K		C1825	QFVF1HJ-474Z	MF CAPACITOR	0.47uF 50V J	
C916	NCB31HK-222X	C CAPACITOR	2200pF 50V K		C1826	QFVF1HJ-474Z	MF CAPACITOR	0.47uF 50V J	
C917	NCB31HK-681X	C CAPACITOR	680pF 50V K		C1827	NCB21HK-104X	C CAPACITOR	0.1uF 50V K	
C918	NCB31HK-681X	C CAPACITOR	680pF 50V K		C1828	NCB21HK-104X	C CAPACITOR	0.1uF 50V K	
C919	NCF31AZ-105X	C CAPACITOR	1uF 10V Z		C1851	NCB21HK-473X	C CAPACITOR	0.047uF 50V K	
C920	NCF31AZ-105X	C CAPACITOR	1uF 10V Z		C1852	NCB21HK-473X	C CAPACITOR	0.047uF 50V K	
C927	NCB31EK-104X	C CAPACITOR	0.1uF 25V K		C1853	NCB21HK-473X	C CAPACITOR	0.047uF 50V K	
C928	NCB31EK-104X	C CAPACITOR	0.1uF 25V K		C1854	NCB21HK-473X	C CAPACITOR	0.047uF 50V K	
C931	NCB31EK-104X	C CAPACITOR	0.1uF 25V K		C1859	NCB21HK-683X	C CAPACITOR	0.068uF 50V K	
C932	NCB31EK-104X	C CAPACITOR	0.1uF 25V K		C1860	NCB21HK-683X	C CAPACITOR	0.068uF 50V K	
C933	NCB31EK-104X	C CAPACITOR	0.1uF 25V K		C1861	NCB31HK-223X	C CAPACITOR	0.022uF 50V K	
C934	NCB31EK-104X	C CAPACITOR	0.1uF 25V K		C1862	NCB31HK-223X	C CAPACITOR	0.022uF 50V K	
C935	NCB31HK-682X	C CAPACITOR	6800pF 50V K		C1863	NCB31HK-223X	C CAPACITOR	0.022uF 50V K	
C936	NCB31HK-682X	C CAPACITOR	6800pF 50V K		C1864	NCB31HK-223X	C CAPACITOR	0.022uF 50V K	
C937	NDC31HJ-470X	C CAPACITOR	47pF 50V J		C1901	QEHR1HM-107Z	E CAPACITOR	100uF 50V M	
C938	NDC31HJ-470X	C CAPACITOR	47pF 50V J		C1902	QEHR1HM-107Z	E CAPACITOR	100uF 50V M	
C971	QEKC1HM-105Z	E CAPACITOR	1uF 50V M		C1903	QEHR1HM-107Z	E CAPACITOR	100uF 50V M	
C972	QEKC1HM-105Z	E CAPACITOR	1uF 50V M		C1904	QEHR1HM-107Z	E CAPACITOR	100uF 50V M	
C973	QEKC1HM-105Z	E CAPACITOR	1uF 50V M		C1905	QFKC2AJ-564Z	MM CAPACITOR	0.56uF 100V J	
C974	QEKC1HM-105Z	E CAPACITOR	1uF 50V M		C1906	QFKC2AJ-564Z	MM CAPACITOR	0.56uF 100V J	
C975	QEKC1HM-475Z	E CAPACITOR	4.7uF 50V M		C1907	NCB21HK-104X	C CAPACITOR	0.1uF 50V K	
C976	QEKC1HM-475Z	E CAPACITOR	4.7uF 50V M		C1908	NCB21HK-104X	C CAPACITOR	0.1uF 50V K	
C981	NCB31HK-152X	C CAPACITOR	1500pF 50V K		C1913	QFVF1HJ-474Z	MF CAPACITOR	0.47uF 50V J	
C982	NCB31HK-152X	C CAPACITOR	1500pF 50V K		C1914	QFVF1HJ-474Z	MF CAPACITOR	0.47uF 50V J	
C1301	QEHR1HM-107Z	E CAPACITOR	100uF 50V M		C1915	NCB21HK-104X	C CAPACITOR	0.1uF 50V K	
C1302	QEHR1HM-107Z	E CAPACITOR	100uF 50V M		C1916	NCB21HK-104X	C CAPACITOR	0.1uF 50V K	
C1303	QEHR1HM-107Z	E CAPACITOR	100uF 50V M		C1919	NCB21HK-104X	C CAPACITOR	0.1uF 50V K	
C1304	QEHR1HM-107Z	E CAPACITOR	100uF 50V M		C1920	NCB21HK-104X	C CAPACITOR	0.1uF 50V K	
C1305	QFKC2AJ-564Z	MM CAPACITOR	0.56uF 100V J		C1925	QFVF1HJ-474Z	MF CAPACITOR	0.47uF 50V J	
C1306	QFKC2AJ-564Z	MM CAPACITOR	0.56uF 100V J		C1926	QFVF1HJ-474Z	MF CAPACITOR	0.47uF 50V J	
C1307	NCB21HK-104X	C CAPACITOR	0.1uF 50V K		C1927	NCB21HK-104X	C CAPACITOR	0.1uF 50V K	
C1308	NCB21HK-104X	C CAPACITOR	0.1uF 50V K		C1928	NCB21HK-104X	C CAPACITOR	0.1uF 50V K	
C1313	QFVF1HJ-474Z	MF CAPACITOR	0.47uF 50V J		C1951	NCB21HK-473X	C CAPACITOR	0.047uF 50V K	
C1314	QFVF1HJ-474Z	MF CAPACITOR	0.47uF 50V J		C1952	NCB21HK-473X	C CAPACITOR	0.047uF 50V K	
C1315	NCB21HK-104X	C CAPACITOR	0.1uF 50V K		C1953	NCB21HK-473X	C CAPACITOR	0.047uF 50V K	
C1316	NCB21HK-104X	C CAPACITOR	0.1uF 50V K		C1954	NCB21HK-473X	C CAPACITOR	0.047uF 50V K	
C1319	NCB21HK-104X	C CAPACITOR	0.1uF 50V K		C1959	NCB21HK-683X	C CAPACITOR	0.068uF 50V K	
C1320	NCB21HK-104X	C CAPACITOR	0.1uF 50V K		C1960	NCB21HK-683X	C CAPACITOR	0.068uF 50V K	
C1325	QFVF1HJ-474Z	MF CAPACITOR	0.47uF 50V J		C1961	NCB31HK-223X	C CAPACITOR	0.022uF 50V K	
C1326	QFVF1HJ-474Z	MF CAPACITOR	0.47uF 50V J		C1962	NCB31HK-223X	C CAPACITOR	0.022uF 50V K	
C1327	NCB21HK-104X	C CAPACITOR	0.1uF 50V K		C1963	NCB31HK-223X	C CAPACITOR	0.022uF 50V K	
C1328	NCB21HK-104X	C CAPACITOR	0.1uF 50V K		C1964	NCB31HK-223X	C CAPACITOR	0.022uF 50V K	
C1351	NCB21HK-473X	C CAPACITOR	0.047uF 50V K		C2301	NDC31HJ-560X	C CAPACITOR	56pF 50V J	
C1352	NCB21HK-473X	C CAPACITOR	0.047uF 50V K		C2302	NDC31HJ-560X	C CAPACITOR	56pF 50V J	
C1353	NCB21HK-473X	C CAPACITOR	0.047uF 50V K		C2303	NDC31HJ-560X	C CAPACITOR	56pF 50V J	
C1354	NCB21HK-473X	C CAPACITOR	0.047uF 50V K		C2304	NDC31HJ-560X	C CAPACITOR	56pF 50V J	
C1359	NCB21HK-683X	C CAPACITOR	0.068uF 50V K		C2305	NCF31CZ-104X	C CAPACITOR	0.1uF 16V Z	
C1360	NCB21HK-683X	C CAPACITOR	0.068uF 50V K		C2311	NDC31HJ-560X	C CAPACITOR	56pF 50V J	
C1361	NCB31HK-223X	C CAPACITOR	0.022uF 50V K		C2312	NDC31HJ-560X	C CAPACITOR	56pF 50V J	
C1362	NCB31HK-223X	C CAPACITOR	0.022uF 50V K		C2313	NDC31HJ-560X	C CAPACITOR	56pF 50V J	
C1363	NCB31HK-223X	C CAPACITOR	0.022uF 50V K		C2314	NDC31HJ-560X	C CAPACITOR	56pF 50V J	
C1364	NCB31HK-223X	C CAPACITOR	0.022uF 50V K		C2315	NCF31CZ-104X	C CAPACITOR	0.1uF 16V Z	
C1371	NCF21HZ-105X	C CAPACITOR	1uF 50V Z		C2321	NCF31CZ-104X	C CAPACITOR	0.1uF 16V Z	
C1372	NCF21HZ-105X	C CAPACITOR	1uF 50V Z		C2331	NDC31HJ-101X	C CAPACITOR	100pF 50V J	
C1377	NCF21HZ-105X	C CAPACITOR	1uF 50V Z		C2332	NDC31HJ-101X	C CAPACITOR	100pF 50V J	
C1381	NCF21HZ-105X	C CAPACITOR	1uF 50V Z		C2333	NDC31HJ-101X	C CAPACITOR	100pF 50V J	
C1385	NCF21HZ-105X	C CAPACITOR	1uF 50V Z		C2334	NDC31HJ-101X	C CAPACITOR	100pF 50V J	

△ Symbol No.	Part No.	Part Name	Description	Local	△ Symbol No.	Part No.	Part Name	Description	Local
C2335	QEKC1CM-107Z	E CAPACITOR	100uF 16V M		R338	NRSA63J-102X	MG RESISTOR	1kΩ 1/16W J	
C2336	QEKC1CM-107Z	E CAPACITOR	100uF 16V M		R339	NRSA63J-102X	MG RESISTOR	1kΩ 1/16W J	
C2337	QETN2AM-106Z	E CAPACITOR	10uF 100V M		R340	NRSA63J-102X	MG RESISTOR	1kΩ 1/16W J	
C2338	QETN2AM-106Z	E CAPACITOR	10uF 100V M		R341	NRSA63J-104X	MG RESISTOR	100kΩ 1/16W J	
C2339	QETN2AM-106Z	E CAPACITOR	10uF 100V M		R342	NRSA63J-104X	MG RESISTOR	100kΩ 1/16W J	
C2340	QETN2AM-106Z	E CAPACITOR	10uF 100V M		R343	NRSA63J-101X	MG RESISTOR	100Ω 1/16W J	
C2801	NDC31HJ-560X	C CAPACITOR	56pF 50V J		R344	NRSA63J-101X	MG RESISTOR	100Ω 1/16W J	
C2802	NDC31HJ-560X	C CAPACITOR	56pF 50V J		R345	NRSA63J-821X	MG RESISTOR	820Ω 1/16W J	
C2803	NDC31HJ-560X	C CAPACITOR	56pF 50V J		R346	NRSA63J-821X	MG RESISTOR	820Ω 1/16W J	
C2804	NDC31HJ-560X	C CAPACITOR	56pF 50V J		R351	NRSA63J-472X	MG RESISTOR	4.7kΩ 1/16W J	
C2805	NCF31CZ-104X	C CAPACITOR	0.1uF 16V Z		R352	NRSA63J-472X	MG RESISTOR	4.7kΩ 1/16W J	
C2811	NDC31HJ-560X	C CAPACITOR	56pF 50V J		R353	NRSA63J-273X	MG RESISTOR	27kΩ 1/16W J	
C2812	NDC31HJ-560X	C CAPACITOR	56pF 50V J		R354	NRSA63J-273X	MG RESISTOR	27kΩ 1/16W J	
C2813	NDC31HJ-560X	C CAPACITOR	56pF 50V J		R355	NRSA63J-273X	MG RESISTOR	27kΩ 1/16W J	
C2814	NDC31HJ-560X	C CAPACITOR	56pF 50V J		R356	NRSA63J-273X	MG RESISTOR	27kΩ 1/16W J	
C2815	NCF31CZ-104X	C CAPACITOR	0.1uF 16V Z		R357	NRSA63J-472X	MG RESISTOR	4.7kΩ 1/16W J	
C2821	NCF31CZ-104X	C CAPACITOR	0.1uF 16V Z		R358	NRSA63J-472X	MG RESISTOR	4.7kΩ 1/16W J	
C2831	NDC31HJ-101X	C CAPACITOR	100pF 50V J		R363	NRSA63J-272X	MG RESISTOR	2.7kΩ 1/16W J	
C2832	NDC31HJ-101X	C CAPACITOR	100pF 50V J		R364	NRSA63J-272X	MG RESISTOR	2.7kΩ 1/16W J	
C2833	NDC31HJ-101X	C CAPACITOR	100pF 50V J		R365	NRSA63J-103X	MG RESISTOR	10kΩ 1/16W J	
C2834	NDC31HJ-101X	C CAPACITOR	100pF 50V J		R366	NRSA63J-103X	MG RESISTOR	10kΩ 1/16W J	
C2835	QEKC1CM-107Z	E CAPACITOR	100uF 16V M		R371	NRSA63J-472X	MG RESISTOR	4.7kΩ 1/16W J	
C2836	QEKC1CM-107Z	E CAPACITOR	100uF 16V M		R372	NRSA63J-472X	MG RESISTOR	4.7kΩ 1/16W J	
C2837	QETN2AM-106Z	E CAPACITOR	10uF 100V M		R373	NRSA63J-473X	MG RESISTOR	47kΩ 1/16W J	
C2838	QETN2AM-106Z	E CAPACITOR	10uF 100V M		R374	NRSA63J-473X	MG RESISTOR	47kΩ 1/16W J	
C2839	QETN2AM-106Z	E CAPACITOR	10uF 100V M		R375	NRSA63J-474X	MG RESISTOR	470kΩ 1/16W J	
C2840	QETN2AM-106Z	E CAPACITOR	10uF 100V M		R376	NRSA63J-474X	MG RESISTOR	470kΩ 1/16W J	
C2901	NDC31HJ-560X	C CAPACITOR	56pF 50V J		R377	NRSA63J-470X	MG RESISTOR	47Ω 1/16W J	
C2902	NDC31HJ-560X	C CAPACITOR	56pF 50V J		R378	NRSA63J-470X	MG RESISTOR	47Ω 1/16W J	
C2903	NDC31HJ-560X	C CAPACITOR	56pF 50V J		R379	NRSA63J-104X	MG RESISTOR	100kΩ 1/16W J	
C2904	NDC31HJ-560X	C CAPACITOR	56pF 50V J		R380	NRSA63J-104X	MG RESISTOR	100kΩ 1/16W J	
C2905	NCF31CZ-104X	C CAPACITOR	0.1uF 16V Z		R381	NRSA63J-102X	MG RESISTOR	1kΩ 1/16W J	
C2911	NDC31HJ-560X	C CAPACITOR	56pF 50V J		R382	NRSA63J-102X	MG RESISTOR	1kΩ 1/16W J	
C2912	NDC31HJ-560X	C CAPACITOR	56pF 50V J		R385	NRSA63J-153X	MG RESISTOR	15kΩ 1/16W J	
C2913	NDC31HJ-560X	C CAPACITOR	56pF 50V J		R386	NRSA63J-153X	MG RESISTOR	15kΩ 1/16W J	
C2914	NDC31HJ-560X	C CAPACITOR	56pF 50V J		R387	NRSA63J-0R0X	MG RESISTOR	0Ω 1/16W J	
C2915	NCF31CZ-104X	C CAPACITOR	0.1uF 16V Z		R388	NRSA63J-0R0X	MG RESISTOR	0Ω 1/16W J	
C2921	NCF31CZ-104X	C CAPACITOR	0.1uF 16V Z		R391	NRSA63J-104X	MG RESISTOR	100kΩ 1/16W J	
C2931	NDC31HJ-101X	C CAPACITOR	100pF 50V J		R392	NRSA63J-104X	MG RESISTOR	100kΩ 1/16W J	
C2932	NDC31HJ-101X	C CAPACITOR	100pF 50V J		R393	NRSA63J-104X	MG RESISTOR	100kΩ 1/16W J	
C2933	NDC31HJ-101X	C CAPACITOR	100pF 50V J		R394	NRSA63J-104X	MG RESISTOR	100kΩ 1/16W J	
C2934	NDC31HJ-101X	C CAPACITOR	100pF 50V J		△ R701	QRJ146J-820X	UNF C RESISTOR	82Ω 1/4W J	
C2935	QEKC1CM-107Z	E CAPACITOR	100uF 16V M		R705	NRSA63J-104X	MG RESISTOR	100kΩ 1/16W J	
C2936	QEKC1CM-107Z	E CAPACITOR	100uF 16V M		R706	NRSA63J-104X	MG RESISTOR	100kΩ 1/16W J	
C2937	QETN2AM-106Z	E CAPACITOR	10uF 100V M		R711	NRSA63J-105X	MG RESISTOR	1MΩ 1/16W J	
C2938	QETN2AM-106Z	E CAPACITOR	10uF 100V M		R712	NRSA63J-562X	MG RESISTOR	5.6kΩ 1/16W J	
C2939	QETN2AM-106Z	E CAPACITOR	10uF 100V M		R713	NRSA63J-105X	MG RESISTOR	1MΩ 1/16W J	
C2940	QETN2AM-106Z	E CAPACITOR	10uF 100V M		R714	NRSA63J-562X	MG RESISTOR	5.6kΩ 1/16W J	
					R715	NRSA63J-562X	MG RESISTOR	5.6kΩ 1/16W J	
R301	NRSA63J-104X	MG RESISTOR	100kΩ 1/16W J		R716	NRSA63J-562X	MG RESISTOR	5.6kΩ 1/16W J	
R302	NRSA63J-104X	MG RESISTOR	100kΩ 1/16W J		R717	NRSA63J-562X	MG RESISTOR	5.6kΩ 1/16W J	
R303	NRSA63J-471X	MG RESISTOR	470Ω 1/16W J		R718	NRSA63J-122X	MG RESISTOR	1.2kΩ 1/16W J	
R304	NRSA63J-471X	MG RESISTOR	470Ω 1/16W J		R719	NRSA63J-122X	MG RESISTOR	1.2kΩ 1/16W J	
R305	NRSA63J-122X	MG RESISTOR	1.2kΩ 1/16W J		R720	NRSA63J-122X	MG RESISTOR	1.2kΩ 1/16W J	
R306	NRSA63J-122X	MG RESISTOR	1.2kΩ 1/16W J		R721	NRSA63J-562X	MG RESISTOR	5.6kΩ 1/16W J	
R307	NRSA63J-473X	MG RESISTOR	47kΩ 1/16W J		R722	NRSA63J-122X	MG RESISTOR	1.2kΩ 1/16W J	
R308	NRSA63J-473X	MG RESISTOR	47kΩ 1/16W J		R723	NRSA63J-562X	MG RESISTOR	5.6kΩ 1/16W J	
R309	NRSA63J-183X	MG RESISTOR	18kΩ 1/16W J		△ R725	QRJ146J-100X	UNF C RESISTOR	10Ω 1/4W J	
R310	NRSA63J-183X	MG RESISTOR	18kΩ 1/16W J		△ R726	QRJ146J-100X	UNF C RESISTOR	10Ω 1/4W J	
R311	NRSA63J-102X	MG RESISTOR	1kΩ 1/16W J		R727	NRSA63J-122X	MG RESISTOR	1.2kΩ 1/16W J	
R312	NRSA63J-102X	MG RESISTOR	1kΩ 1/16W J		R728	NRSA63J-562X	MG RESISTOR	5.6kΩ 1/16W J	
R313	NRSA63J-103X	MG RESISTOR	10kΩ 1/16W J		△ R731	QRK126J-470X	UNF C RESISTOR	47Ω 1/2W J	
R314	NRSA63J-103X	MG RESISTOR	10kΩ 1/16W J		R735	NRSA63J-222X	MG RESISTOR	2.2kΩ 1/16W J	
R315	NRSA63J-106X	MG RESISTOR	10MΩ 1/16W J		R736	NRSA63J-222X	MG RESISTOR	2.2kΩ 1/16W J	
R316	NRSA63J-106X	MG RESISTOR	10MΩ 1/16W J		R737	NRSA63J-104X	MG RESISTOR	100kΩ 1/16W J	
R317	NRSA63J-103X	MG RESISTOR	10kΩ 1/16W J		R738	NRSA63J-103X	MG RESISTOR	10kΩ 1/16W J	
R318	NRSA63J-103X	MG RESISTOR	10kΩ 1/16W J		R739	NRSA63J-223X	MG RESISTOR	22kΩ 1/16W J	
R319	NRSA63J-821X	MG RESISTOR	820Ω 1/16W J		R751	NRSA63J-221X	MG RESISTOR	220Ω 1/16W J	
R320	NRSA63J-821X	MG RESISTOR	820Ω 1/16W J		R752	NRSA63J-122X	MG RESISTOR	1.2kΩ 1/16W J	
R323	NRSA63J-103X	MG RESISTOR	10kΩ 1/16W J		R753	NRSA63J-472X	MG RESISTOR	4.7kΩ 1/16W J	
R324	NRSA63J-103X	MG RESISTOR	10kΩ 1/16W J		R754	NRSA63J-562X	MG RESISTOR	5.6kΩ 1/16W J	
R325	NRSA63J-222X	MG RESISTOR	2.2kΩ 1/16W J		R755	NRSA63J-682X	MG RESISTOR	6.8kΩ 1/16W J	
R326	NRSA63J-222X	MG RESISTOR	2.2kΩ 1/16W J		R756	NRSA63J-473X	MG RESISTOR	47kΩ 1/16W J	
R333	NRSA63J-123X	MG RESISTOR	12kΩ 1/16W J		R757	NRSA63J-471X	MG RESISTOR	470Ω 1/16W J	
R334	NRSA63J-123X	MG RESISTOR	12kΩ 1/16W J		R758	NRSA63J-471X	MG RESISTOR	470Ω 1/16W J	
R335	NRSA63J-102X	MG RESISTOR	1kΩ 1/16W J		△ R759	QRK126J-1R0X	UNF C RESISTOR	1Ω 1/2W J	
R336	NRSA63J-102X	MG RESISTOR	1kΩ 1/16W J		R761	NRSA63J-221X	MG RESISTOR	220Ω 1/16W J	
R337	NRSA63J-102X	MG RESISTOR	1kΩ 1/16W J		R762	NRSA63J-332X	MG RESISTOR	3.3kΩ 1/16W J	

△ Symbol No.	Part No.	Part Name	Description	Local	△ Symbol No.	Part No.	Part Name	Description	Local
R763	NRSA63J-152X	MG RESISTOR	1.5kΩ	1/16W J	R881	NRSA63J-102X	MG RESISTOR	1kΩ	1/16W J
R764	NRSA63J-332X	MG RESISTOR	3.3kΩ	1/16W J	R882	NRSA63J-102X	MG RESISTOR	1kΩ	1/16W J
R765	NRSA63J-104X	MG RESISTOR	100kΩ	1/16W J	R885	NRSA63J-153X	MG RESISTOR	15kΩ	1/16W J
R766	NRSA63J-0R0X	MG RESISTOR	0Ω	1/16W J	R886	NRSA63J-153X	MG RESISTOR	15kΩ	1/16W J
R771	NRSA63J-681X	MG RESISTOR	680Ω	1/16W J	R887	NRSA63J-0R0X	MG RESISTOR	0Ω	1/16W J
R772	NRSA63J-331X	MG RESISTOR	330Ω	1/16W J	R888	NRSA63J-0R0X	MG RESISTOR	0Ω	1/16W J
△ R775	QRK126J-561X	UNF C RESISTOR	560Ω	1/2W J	R891	NRSA63J-104X	MG RESISTOR	100kΩ	1/16W J
△ R776	QRK126J-561X	UNF C RESISTOR	560Ω	1/2W J	R892	NRSA63J-104X	MG RESISTOR	100kΩ	1/16W J
R777	NRSA63J-103X	MG RESISTOR	10kΩ	1/16W J	R893	NRSA63J-104X	MG RESISTOR	100kΩ	1/16W J
R781	NRSA63J-183X	MG RESISTOR	18kΩ	1/16W J	R894	NRSA63J-104X	MG RESISTOR	100kΩ	1/16W J
R782	NRSA63J-332X	MG RESISTOR	3.3kΩ	1/16W J	R901	NRSA63J-104X	MG RESISTOR	100kΩ	1/16W J
R783	NRSA63J-332X	MG RESISTOR	3.3kΩ	1/16W J	R902	NRSA63J-104X	MG RESISTOR	100kΩ	1/16W J
R784	NRSA63J-223X	MG RESISTOR	22kΩ	1/16W J	R903	NRSA63J-471X	MG RESISTOR	470Ω	1/16W J
R785	NRSA63J-183X	MG RESISTOR	18kΩ	1/16W J	R904	NRSA63J-471X	MG RESISTOR	470Ω	1/16W J
R786	NRSA63J-103X	MG RESISTOR	10kΩ	1/16W J	R905	NRSA63J-122X	MG RESISTOR	1.2kΩ	1/16W J
R794	NRSA63J-103X	MG RESISTOR	10kΩ	1/16W J	R906	NRSA63J-122X	MG RESISTOR	1.2kΩ	1/16W J
R795	NRSA63J-471X	MG RESISTOR	470Ω	1/16W J	R907	NRSA63J-473X	MG RESISTOR	47kΩ	1/16W J
R798	NRSA63J-122X	MG RESISTOR	1.2kΩ	1/16W J	R908	NRSA63J-473X	MG RESISTOR	47kΩ	1/16W J
R801	NRSA63J-104X	MG RESISTOR	100kΩ	1/16W J	R909	NRSA63J-183X	MG RESISTOR	18kΩ	1/16W J
R802	NRSA63J-104X	MG RESISTOR	100kΩ	1/16W J	R910	NRSA63J-183X	MG RESISTOR	18kΩ	1/16W J
R803	NRSA63J-471X	MG RESISTOR	470Ω	1/16W J	R911	NRSA63J-102X	MG RESISTOR	1kΩ	1/16W J
R804	NRSA63J-471X	MG RESISTOR	470Ω	1/16W J	R912	NRSA63J-102X	MG RESISTOR	1kΩ	1/16W J
R805	NRSA63J-122X	MG RESISTOR	1.2kΩ	1/16W J	R913	NRSA63J-103X	MG RESISTOR	10kΩ	1/16W J
R806	NRSA63J-122X	MG RESISTOR	1.2kΩ	1/16W J	R914	NRSA63J-103X	MG RESISTOR	10kΩ	1/16W J
R807	NRSA63J-473X	MG RESISTOR	47kΩ	1/16W J	R915	NRSA63J-106X	MG RESISTOR	10MΩ	1/16W J
R808	NRSA63J-473X	MG RESISTOR	47kΩ	1/16W J	R916	NRSA63J-106X	MG RESISTOR	10MΩ	1/16W J
R809	NRSA63J-183X	MG RESISTOR	18kΩ	1/16W J	R917	NRSA63J-103X	MG RESISTOR	10kΩ	1/16W J
R810	NRSA63J-183X	MG RESISTOR	18kΩ	1/16W J	R918	NRSA63J-103X	MG RESISTOR	10kΩ	1/16W J
R811	NRSA63J-102X	MG RESISTOR	1kΩ	1/16W J	R919	NRSA63J-821X	MG RESISTOR	820Ω	1/16W J
R812	NRSA63J-102X	MG RESISTOR	1kΩ	1/16W J	R920	NRSA63J-821X	MG RESISTOR	820Ω	1/16W J
R813	NRSA63J-103X	MG RESISTOR	10kΩ	1/16W J	R923	NRSA63J-103X	MG RESISTOR	10kΩ	1/16W J
R814	NRSA63J-103X	MG RESISTOR	10kΩ	1/16W J	R924	NRSA63J-103X	MG RESISTOR	10kΩ	1/16W J
R815	NRSA63J-106X	MG RESISTOR	10MΩ	1/16W J	R925	NRSA63J-222X	MG RESISTOR	2.2kΩ	1/16W J
R816	NRSA63J-106X	MG RESISTOR	10MΩ	1/16W J	R926	NRSA63J-222X	MG RESISTOR	2.2kΩ	1/16W J
R817	NRSA63J-103X	MG RESISTOR	10kΩ	1/16W J	R933	NRSA63J-123X	MG RESISTOR	12kΩ	1/16W J
R818	NRSA63J-103X	MG RESISTOR	10kΩ	1/16W J	R934	NRSA63J-123X	MG RESISTOR	12kΩ	1/16W J
R819	NRSA63J-821X	MG RESISTOR	820Ω	1/16W J	R935	NRSA63J-102X	MG RESISTOR	1kΩ	1/16W J
R820	NRSA63J-821X	MG RESISTOR	820Ω	1/16W J	R936	NRSA63J-102X	MG RESISTOR	1kΩ	1/16W J
R823	NRSA63J-103X	MG RESISTOR	10kΩ	1/16W J	R937	NRSA63J-102X	MG RESISTOR	1kΩ	1/16W J
R824	NRSA63J-103X	MG RESISTOR	10kΩ	1/16W J	R938	NRSA63J-102X	MG RESISTOR	1kΩ	1/16W J
R825	NRSA63J-222X	MG RESISTOR	2.2kΩ	1/16W J	R939	NRSA63J-102X	MG RESISTOR	1kΩ	1/16W J
R826	NRSA63J-222X	MG RESISTOR	2.2kΩ	1/16W J	R940	NRSA63J-102X	MG RESISTOR	1kΩ	1/16W J
R833	NRSA63J-123X	MG RESISTOR	12kΩ	1/16W J	R941	NRSA63J-104X	MG RESISTOR	100kΩ	1/16W J
R834	NRSA63J-123X	MG RESISTOR	12kΩ	1/16W J	R942	NRSA63J-104X	MG RESISTOR	100kΩ	1/16W J
R835	NRSA63J-102X	MG RESISTOR	1kΩ	1/16W J	R943	NRSA63J-101X	MG RESISTOR	100Ω	1/16W J
R836	NRSA63J-102X	MG RESISTOR	1kΩ	1/16W J	R944	NRSA63J-101X	MG RESISTOR	100Ω	1/16W J
R837	NRSA63J-102X	MG RESISTOR	1kΩ	1/16W J	R945	NRSA63J-821X	MG RESISTOR	820Ω	1/16W J
R838	NRSA63J-102X	MG RESISTOR	1kΩ	1/16W J	R946	NRSA63J-821X	MG RESISTOR	820Ω	1/16W J
R839	NRSA63J-102X	MG RESISTOR	1kΩ	1/16W J	R951	NRSA63J-472X	MG RESISTOR	4.7kΩ	1/16W J
R840	NRSA63J-102X	MG RESISTOR	1kΩ	1/16W J	R952	NRSA63J-472X	MG RESISTOR	4.7kΩ	1/16W J
R841	NRSA63J-104X	MG RESISTOR	100kΩ	1/16W J	R953	NRSA63J-273X	MG RESISTOR	27kΩ	1/16W J
R842	NRSA63J-104X	MG RESISTOR	100kΩ	1/16W J	R954	NRSA63J-273X	MG RESISTOR	27kΩ	1/16W J
R843	NRSA63J-101X	MG RESISTOR	100Ω	1/16W J	R955	NRSA63J-273X	MG RESISTOR	27kΩ	1/16W J
R844	NRSA63J-101X	MG RESISTOR	100Ω	1/16W J	R956	NRSA63J-273X	MG RESISTOR	27kΩ	1/16W J
R845	NRSA63J-821X	MG RESISTOR	820Ω	1/16W J	R957	NRSA63J-472X	MG RESISTOR	4.7kΩ	1/16W J
R846	NRSA63J-821X	MG RESISTOR	820Ω	1/16W J	R958	NRSA63J-472X	MG RESISTOR	4.7kΩ	1/16W J
R851	NRSA63J-472X	MG RESISTOR	4.7kΩ	1/16W J	R963	NRSA63J-272X	MG RESISTOR	2.7kΩ	1/16W J
R852	NRSA63J-472X	MG RESISTOR	4.7kΩ	1/16W J	R964	NRSA63J-272X	MG RESISTOR	2.7kΩ	1/16W J
R853	NRSA63J-273X	MG RESISTOR	27kΩ	1/16W J	R965	NRSA63J-103X	MG RESISTOR	10kΩ	1/16W J
R854	NRSA63J-273X	MG RESISTOR	27kΩ	1/16W J	R966	NRSA63J-103X	MG RESISTOR	10kΩ	1/16W J
R855	NRSA63J-273X	MG RESISTOR	27kΩ	1/16W J	R971	NRSA63J-472X	MG RESISTOR	4.7kΩ	1/16W J
R856	NRSA63J-273X	MG RESISTOR	27kΩ	1/16W J	R972	NRSA63J-472X	MG RESISTOR	4.7kΩ	1/16W J
R857	NRSA63J-472X	MG RESISTOR	4.7kΩ	1/16W J	R973	NRSA63J-473X	MG RESISTOR	47kΩ	1/16W J
R858	NRSA63J-472X	MG RESISTOR	4.7kΩ	1/16W J	R974	NRSA63J-473X	MG RESISTOR	47kΩ	1/16W J
R863	NRSA63J-272X	MG RESISTOR	2.7kΩ	1/16W J	R975	NRSA63J-474X	MG RESISTOR	470kΩ	1/16W J
R864	NRSA63J-272X	MG RESISTOR	2.7kΩ	1/16W J	R976	NRSA63J-474X	MG RESISTOR	470kΩ	1/16W J
R865	NRSA63J-103X	MG RESISTOR	10kΩ	1/16W J	R977	NRSA63J-470X	MG RESISTOR	47Ω	1/16W J
R866	NRSA63J-103X	MG RESISTOR	10kΩ	1/16W J	R978	NRSA63J-470X	MG RESISTOR	47Ω	1/16W J
R871	NRSA63J-472X	MG RESISTOR	4.7kΩ	1/16W J	R979	NRSA63J-104X	MG RESISTOR	100kΩ	1/16W J
R872	NRSA63J-472X	MG RESISTOR	4.7kΩ	1/16W J	R980	NRSA63J-104X	MG RESISTOR	100kΩ	1/16W J
R873	NRSA63J-473X	MG RESISTOR	47kΩ	1/16W J	R981	NRSA63J-102X	MG RESISTOR	1kΩ	1/16W J
R874	NRSA63J-473X	MG RESISTOR	47kΩ	1/16W J	R982	NRSA63J-102X	MG RESISTOR	1kΩ	1/16W J
R875	NRSA63J-474X	MG RESISTOR	470kΩ	1/16W J	R985	NRSA63J-153X	MG RESISTOR	15kΩ	1/16W J
R876	NRSA63J-474X	MG RESISTOR	470kΩ	1/16W J	R986	NRSA63J-153X	MG RESISTOR	15kΩ	1/16W J
R877	NRSA63J-470X	MG RESISTOR	47Ω	1/16W J	R987	NRSA63J-0R0X	MG RESISTOR	0Ω	1/16W J
R878	NRSA63J-470X	MG RESISTOR	47Ω	1/16W J	R988	NRSA63J-0R0X	MG RESISTOR	0Ω	1/16W J
R879	NRSA63J-104X	MG RESISTOR	100kΩ	1/16W J	R991	NRSA63J-104X	MG RESISTOR	100kΩ	1/16W J
R880	NRSA63J-104X	MG RESISTOR	100kΩ	1/16W J	R992	NRSA63J-104X	MG RESISTOR	100kΩ	1/16W J

△ Symbol No. Part No. Part Name Description Local

Input board

Block No. [0][3]

R2801	NRSA63J-152X	MG RESISTOR	1.5kΩ 1/16W J	
R2802	NRSA63J-152X	MG RESISTOR	1.5kΩ 1/16W J	
R2803	NRSA63J-152X	MG RESISTOR	1.5kΩ 1/16W J	
R2804	NRSA63J-152X	MG RESISTOR	1.5kΩ 1/16W J	
R2811	NRSA63J-152X	MG RESISTOR	1.5kΩ 1/16W J	
R2812	NRSA63J-152X	MG RESISTOR	1.5kΩ 1/16W J	
R2813	NRSA63J-152X	MG RESISTOR	1.5kΩ 1/16W J	
R2814	NRSA63J-152X	MG RESISTOR	1.5kΩ 1/16W J	
R2821	NRSA63J-103X	MG RESISTOR	10kΩ 1/16W J	
R2822	NRSA63J-221X	MG RESISTOR	220Ω 1/16W J	
R2823	NRSA63J-911X	MG RESISTOR	910Ω 1/16W J	
R2824	NRSA63J-911X	MG RESISTOR	910Ω 1/16W J	
R2825	NRSA63J-221X	MG RESISTOR	220Ω 1/16W J	
R2826	NRSA63J-103X	MG RESISTOR	10kΩ 1/16W J	
R2831	NRS016J-470X	MG RESISTOR	47Ω 1W J	
R2832	NRS016J-470X	MG RESISTOR	47Ω 1W J	
R2833	NRS016J-470X	MG RESISTOR	47Ω 1W J	
R2834	NRS016J-470X	MG RESISTOR	47Ω 1W J	
R2901	NRSA63J-152X	MG RESISTOR	1.5kΩ 1/16W J	
R2902	NRSA63J-152X	MG RESISTOR	1.5kΩ 1/16W J	
R2903	NRSA63J-152X	MG RESISTOR	1.5kΩ 1/16W J	
R2904	NRSA63J-152X	MG RESISTOR	1.5kΩ 1/16W J	
R2911	NRSA63J-152X	MG RESISTOR	1.5kΩ 1/16W J	
R2912	NRSA63J-152X	MG RESISTOR	1.5kΩ 1/16W J	
R2913	NRSA63J-152X	MG RESISTOR	1.5kΩ 1/16W J	
R2914	NRSA63J-152X	MG RESISTOR	1.5kΩ 1/16W J	
R2921	NRSA63J-103X	MG RESISTOR	10kΩ 1/16W J	
R2922	NRSA63J-221X	MG RESISTOR	220Ω 1/16W J	
R2923	NRSA63J-911X	MG RESISTOR	910Ω 1/16W J	
R2924	NRSA63J-911X	MG RESISTOR	910Ω 1/16W J	
R2925	NRSA63J-221X	MG RESISTOR	220Ω 1/16W J	
R2926	NRSA63J-103X	MG RESISTOR	10kΩ 1/16W J	
R2931	NRS016J-470X	MG RESISTOR	47Ω 1W J	
R2932	NRS016J-470X	MG RESISTOR	47Ω 1W J	
R2933	NRS016J-470X	MG RESISTOR	47Ω 1W J	
R2934	NRS016J-470X	MG RESISTOR	47Ω 1W J	
L701	QQL28AK-221	CHOKO COIL	220uH K	
△ L1301	QQR1448-001	COIL		
△ L1302	QQR1448-001	COIL		
△ L1801	QQR1448-001	COIL		
△ L1802	QQR1448-001	COIL		
△ L1901	QQR1448-001	COIL		
△ L1902	QQR1448-001	COIL		
CN301	QGA2001C1-06	CONNECTOR	W-B (1-6)	
CN516	WJP0060-001A	E-SH C WIRE C-B		
CN519	QGA2501C1-09	CONNECTOR	W-B (1-9)	
CN701	QGA2001C1-03	CONNECTOR	W-B (1-3)	
CN702	QGA3901C1-03	CONNECTOR	W-B (1-3)	
CN705	QGB2510J1-12	CONNECTOR	B-B (1-12)	
CN706	QGB2510J1-12	CONNECTOR	B-B (1-12)	
CN711	QJK021-041804	SIN ID C-B WIRE		
CN715	QGB2510K1-12	CONNECTOR	B-B (1-12)	
CN716	QGB2510K1-12	CONNECTOR	B-B (1-12)	
CN725	QGA2501C1-07	CONNECTOR	W-B (1-7)	
CN791	QJK021-031203	SIN ID C-B		
CN801	QGA2001C1-07	CONNECTOR	W-B (1-7)	
EP711	QNZ0136-001Z	EARTH PLATE		
FW301	WJS0048-001A	E-FL/RB WI		
FW801	WJS0049-001A	E-FL/RB WUIER		
HS722	E70306-001	HEAT SINK		
J7001	QNB0191-001	SPEAKER TERMINA		
△ RY301	QSK0127-001	RELAY		
△ RY701	QSK0127-002	RELAY		
△ RY801	QSK0127-001	RELAY		
△ RY901	QSK0127-001	RELAY		
△ RY902	QSK0127-001	RELAY		
△ TH792	QAD0010-351	N THERMISTOR	350Ω	
X711	QAX0734-001	C RESONATOR	400.00kHz	
X712	QAX0735-001	C RESONATOR	420.00kHz	

△ Symbol No. Part No. Part Name Description Local

IC501	MN101C49GNL	IC		
IC502	BD3843FS-X	IC		
IC503	BD3813KS	IC		
IC504	NJM4565M-WE	IC		
IC506	IC-PST9139-T	IC		
IC507	BR24L01AF-W-X	IC		
IC508	BD3812F-X	IC		
IC521	MM1502XN-X	IC		
IC522	MM1501XN-X	IC		
IC523	NJM2246M-X	IC		
IC524	NJM2246M-X	IC		
IC551	MM1506XN-X	IC		
IC552	MM1506XN-X	IC		
IC553	MM1504XN-X	IC		
IC571	NJM4565M-WE	IC		
IC601	NJM4565M-WE	IC		
IC602	NJM4565M-WE	IC		
IC611	NJM4565M-WE	IC		
IC612	NJM4565M-WE	IC		
IC613	NJM4565M-WE	IC		
IC615	NJM4565M-WE	IC		
IC622	NJM4565M-WE	IC		
IC631	NJM2120M-X	IC		
IC632	NJM4565M-WE	IC		
IC633	NJM4565M-WE	IC		
IC634	NJM4565M-WE	IC		
IC651	NJM4565M-WE	IC		
IC661	DSPA56370AF	IC		
IC662	SN74LVC1GU04K-X	IC		
IC667	CS42518-CQZ-C-W	IC		
IC671	UPD784217AGC266	IC		
IC672	SN74AHCT1G32K-X	IC		
IC673	SN74LVC1G04K-X	IC		
IC691	BA3259HFP-W	IC		
Q501	2SC3576-JVC-T	TRANSISTOR		
Q502	2SC3576-JVC-T	TRANSISTOR		
Q503	UN2113-X	TRANSISTOR		
Q510	UN2211-X	TRANSISTOR		
Q511	UN2113-X	TRANSISTOR		
Q512	UN2113-X	TRANSISTOR		
Q513	2SC3576-JVC-T	TRANSISTOR		
Q514	2SC3576-JVC-T	TRANSISTOR		
Q515	2SC3576-JVC-T	TRANSISTOR		
Q516	2SC3576-JVC-T	TRANSISTOR		
Q517	2SC3576-JVC-T	TRANSISTOR		
Q518	2SC3576-JVC-T	TRANSISTOR		
Q519	2SC3576-JVC-T	TRANSISTOR		
Q520	2SC3576-JVC-T	TRANSISTOR		
Q521	2SC3576-JVC-T	TRANSISTOR		
Q522	2SC3576-JVC-T	TRANSISTOR		
Q523	UN2113-X	TRANSISTOR		
△ Q531	2SD2394/EF/	TRANSISTOR		
Q532	UN2111-X	TRANSISTOR		
Q533	UN2211-X	TRANSISTOR		
Q536	UN2211-X	TRANSISTOR		
Q541	KTC3199/GL/-T	TRANSISTOR		
Q551	UN2113-X	TRANSISTOR		
Q552	UN2113-X	TRANSISTOR		
Q601	2SD2114K/VW/-X	TRANSISTOR		
Q602	2SD2114K/VW/-X	TRANSISTOR		
Q603	2SC2412K/RS/-X	TRANSISTOR		
Q604	2SC2412K/RS/-X	TRANSISTOR		
Q611	2SD2114K/VW/-X	TRANSISTOR		
Q612	2SD2114K/VW/-X	TRANSISTOR		
Q613	2SD2114K/VW/-X	TRANSISTOR		
Q614	2SD2114K/VW/-X	TRANSISTOR		
Q621	2SD2114K/VW/-X	TRANSISTOR		
Q622	2SC2412K/RS/-X	TRANSISTOR		
Q631	2SD2114K/VW/-X	TRANSISTOR		
Q632	2SD2114K/VW/-X	TRANSISTOR		
Q641	2SD2114K/VW/-X	TRANSISTOR		
Q2601	UN2214-X	TRANSISTOR		
Q2602	UN2214-X	TRANSISTOR		

△ Symbol No.	Part No.	Part Name	Description	Local	△ Symbol No.	Part No.	Part Name	Description	Local
Q2603	UN2214-X	TRANSISTOR			C557	QETN1HM-475Z	E CAPACITOR	4.7uF 50V M	
Q2604	UN2114-X	TRANSISTOR			C558	QEKC1CM-106Z	E CAPACITOR	10uF 16V M	
Q2605	UN2114-X	TRANSISTOR			C559	QEKC1CM-226Z	E CAPACITOR	22uF 16V M	
Q2606	UN2114-X	TRANSISTOR			C561	NCB31HK-681X	C CAPACITOR	680pF 50V K	
Q2608	UN2114-X	TRANSISTOR			C562	NCB31HK-681X	C CAPACITOR	680pF 50V K	
Q2609	UN2114-X	TRANSISTOR			C563	NCB31HK-562X	C CAPACITOR	560pF 50V K	
Q2610	UN2214-X	TRANSISTOR			C564	NCB31HK-562X	C CAPACITOR	560pF 50V K	
Q4501	KTA1267/YG/-T	TRANSISTOR			C565	QETN1CM-108Z	E CAPACITOR	1000uF 16V M	
Q4502	KRA120S-X	TRANSISTOR			C566	NDC31HJ-101X	C CAPACITOR	100pF 50V J	
Q4503	KTA1267/YG/-T	TRANSISTOR			C575	NCF31CZ-104X	C CAPACITOR	0.1uF 16V Z	
Q6501	2SC3576-JVC-T	TRANSISTOR			C578	NCF31CZ-104X	C CAPACITOR	0.1uF 16V Z	
Q6502	2SC3576-JVC-T	TRANSISTOR			C581	QEKC1CM-106Z	E CAPACITOR	10uF 16V M	
Q6503	2SC3576-JVC-T	TRANSISTOR			C585	QETN1HM-106Z	E CAPACITOR	10uF 50V M	
Q6504	2SC3576-JVC-T	TRANSISTOR			C587	NCF31CZ-104X	C CAPACITOR	0.1uF 16V Z	
Q6511	UN211D-X	TRANSISTOR			C591	QTE1V06-106Z	E CAPACITOR	10uF 35V	
Q6512	KTA1267/YG/-T	TRANSISTOR			C592	QTE1V06-106Z	E CAPACITOR	10uF 35V	
Q6513	UN211D-X	TRANSISTOR			C593	QETN1HM-475Z	E CAPACITOR	4.7uF 50V M	
Q6514	KTA1267/YG/-T	TRANSISTOR			C594	QETN1HM-475Z	E CAPACITOR	4.7uF 50V M	
Q6515	UN211D-X	TRANSISTOR			C595	QETN1HM-475Z	E CAPACITOR	4.7uF 50V M	
Q6516	KTA1267/YG/-T	TRANSISTOR			C596	QETN1HM-475Z	E CAPACITOR	4.7uF 50V M	
Q6517	UN211D-X	TRANSISTOR			C597	NCB31EK-104X	C CAPACITOR	0.1uF 25V K	
Q6518	KTA1267/YG/-T	TRANSISTOR			C599	QETN1HM-475Z	E CAPACITOR	4.7uF 50V M	
Q6519	UN211D-X	TRANSISTOR			C601	QETN1EM-475Z	E CAPACITOR	4.7uF 25V M	
Q6520	KTA1267/YG/-T	TRANSISTOR			C602	QETN1EM-475Z	E CAPACITOR	4.7uF 25V M	
Q6521	UN211D-X	TRANSISTOR			C605	NDC31HJ-330X	C CAPACITOR	33pF 50V J	
Q6522	KTA1267/YG/-T	TRANSISTOR			C606	NDC31HJ-330X	C CAPACITOR	33pF 50V J	
Q6523	UN211D-X	TRANSISTOR			C609	NCF31CZ-104X	C CAPACITOR	0.1uF 16V Z	
Q6524	KTA1267/YG/-T	TRANSISTOR			C610	NCF31CZ-104X	C CAPACITOR	0.1uF 16V Z	
Q6525	UN211D-X	TRANSISTOR			C613	NDC31HJ-330X	C CAPACITOR	33pF 50V J	
Q6526	KTA1267/YG/-T	TRANSISTOR			C614	NDC31HJ-330X	C CAPACITOR	33pF 50V J	
Q6527	UN211D-X	TRANSISTOR			C618	QETN1AM-476Z	E CAPACITOR	47uF 10V M	
Q6528	KTA1267/YG/-T	TRANSISTOR			C619	NCF31CZ-104X	C CAPACITOR	0.1uF 16V Z	
Q6535	KTA1267/YG/-T	TRANSISTOR			C620	NCF31CZ-104X	C CAPACITOR	0.1uF 16V Z	
Q6536	KTA1267/YG/-T	TRANSISTOR			C621	NCB31HK-102X	C CAPACITOR	1000pF 50V K	
Q6537	KTA1267/YG/-T	TRANSISTOR			C622	NCB31HK-102X	C CAPACITOR	1000pF 50V K	
D509	MA111-X	SI DIODE			C623	QTE1H06-475Z	E CAPACITOR	4.7uF 50V	
D511	MA111-X	SI DIODE			C624	QTE1H06-475Z	E CAPACITOR	4.7uF 50V	
D512	UDZS6.2B-X	Z DIODE			C625	NCF31CZ-104X	C CAPACITOR	0.1uF 16V Z	
D515	MA111-X	SI DIODE			C626	NCF31CZ-104X	C CAPACITOR	0.1uF 16V Z	
D517	MA8130/H/-X	Z DIODE			C627	NCB31HK-331X	C CAPACITOR	330pF 50V K	
D518	UDZS10B-X	Z DIODE			C628	NCB31HK-331X	C CAPACITOR	330pF 50V K	
D4501	MA111-X	SI DIODE			C629	NCB31HK-272X	C CAPACITOR	270pF 50V K	
D4502	MA111-X	SI DIODE			C630	NCB31HK-272X	C CAPACITOR	270pF 50V K	
C522	NCB31HK-561X	C CAPACITOR	560pF 50V K		C631	QETN1HM-475Z	E CAPACITOR	4.7uF 50V M	
C523	QEKC1CM-476Z	E CAPACITOR	47uF 16V M		C633	NCF31CZ-104X	C CAPACITOR	0.1uF 16V Z	
C524	QEKC1CM-476Z	E CAPACITOR	47uF 16V M		C634	NCF31CZ-104X	C CAPACITOR	0.1uF 16V Z	
C525	QETN1HM-475Z	E CAPACITOR	4.7uF 50V M		C635	NDC31HJ-330X	C CAPACITOR	33pF 50V J	
C526	QETNOJM-228Z	E CAPACITOR	2200uF 6.3V M		C636	NDC31HJ-330X	C CAPACITOR	33pF 50V J	
C527	QEKC0JM-107Z	E CAPACITOR	100uF 6.3V M		C637	QTE1H06-475Z	E CAPACITOR	4.7uF 50V	
C528	QCZ0202-155Z	C CAPACITOR	1.5uF 25V Z		C638	QTE1H06-475Z	E CAPACITOR	4.7uF 50V	
C529	NCB31CK-223X	C CAPACITOR	0.022uF 16V K		C639	NCF31CZ-104X	C CAPACITOR	0.1uF 16V Z	
C530	QEKC1HM-225Z	E CAPACITOR	2.2uF 50V M		C640	NCF31CZ-104X	C CAPACITOR	0.1uF 16V Z	
C531	NCB31CK-223X	C CAPACITOR	0.022uF 16V K		C641	NDC31HJ-330X	C CAPACITOR	33pF 50V J	
C532	NCB31HK-561X	C CAPACITOR	560pF 50V K		C642	NDC31HJ-330X	C CAPACITOR	33pF 50V J	
C533	NCF31CZ-104X	C CAPACITOR	0.1uF 16V Z		C643	QTE1H06-475Z	E CAPACITOR	4.7uF 50V	
C534	QEKC1CM-476Z	E CAPACITOR	47uF 16V M		C644	QTE1H06-475Z	E CAPACITOR	4.7uF 50V	
C535	NCF31CZ-104X	C CAPACITOR	0.1uF 16V Z		C651	NCF31CZ-104X	C CAPACITOR	0.1uF 16V Z	
C536	QEKC1CM-476Z	E CAPACITOR	47uF 16V M		C652	NCF31CZ-104X	C CAPACITOR	0.1uF 16V Z	
C537	QETN1HM-106Z	E CAPACITOR	10uF 50V M		C653	NCB31HK-182X	C CAPACITOR	1800pF 50V K	
C538	QETN1HM-106Z	E CAPACITOR	10uF 50V M		C654	NCB31HK-182X	C CAPACITOR	1800pF 50V K	
C539	QETN1HM-106Z	E CAPACITOR	10uF 50V M		C655	NCB31HK-182X	C CAPACITOR	1800pF 50V K	
C540	QETN1HM-106Z	E CAPACITOR	10uF 50V M		C656	NCB31HK-182X	C CAPACITOR	1800pF 50V K	
C541	QETN1HM-106Z	E CAPACITOR	10uF 50V M		C657	NCB31HK-103X	C CAPACITOR	0.01uF 50V K	
C542	QETN1HM-106Z	E CAPACITOR	10uF 50V M		C658	NCB31HK-103X	C CAPACITOR	0.01uF 50V K	
C545	NCB31CK-104X	C CAPACITOR	0.1uF 16V K		C1501	QETN1HM-106Z	E CAPACITOR	10uF 50V M	
C546	NCB31CK-104X	C CAPACITOR	0.1uF 16V K		C1502	NCF31CZ-104X	C CAPACITOR	0.1uF 16V Z	
C547	NCB31CK-104X	C CAPACITOR	0.1uF 16V K		C1503	NCF31CZ-104X	C CAPACITOR	0.1uF 16V Z	
C548	NCB31CK-104X	C CAPACITOR	0.1uF 16V K		C1504	NCB31HK-561X	C CAPACITOR	560pF 50V K	
C549	QEKC1CM-476Z	E CAPACITOR	47uF 16V M		C1531	QEKC1CM-106Z	E CAPACITOR	10uF 16V M	
C550	QEKC1CM-476Z	E CAPACITOR	47uF 16V M		C1532	QEKC1CM-106Z	E CAPACITOR	10uF 16V M	
C551	QETN1HM-106Z	E CAPACITOR	10uF 50V M		C1551	QEKC0JM-107Z	E CAPACITOR	100uF 6.3V M	
C552	QETN1HM-106Z	E CAPACITOR	10uF 50V M		C1552	NCB31HK-102X	C CAPACITOR	1000pF 50V K	
C553	QETN1HM-475Z	E CAPACITOR	4.7uF 50V M		C1571	QEKC1HM-475Z	E CAPACITOR	4.7uF 50V M	
C554	QETN1HM-475Z	E CAPACITOR	4.7uF 50V M		C1572	QEKC1HM-475Z	E CAPACITOR	4.7uF 50V M	
C555	QETN1HM-475Z	E CAPACITOR	4.7uF 50V M		C1573	QEKC1HM-475Z	E CAPACITOR	4.7uF 50V M	
C556	QETN1HM-475Z	E CAPACITOR	4.7uF 50V M		C1574	QEKC1HM-475Z	E CAPACITOR	4.7uF 50V M	
					C1575	NDC31HJ-101X	C CAPACITOR	100pF 50V J	
					C1576	NDC31HJ-101X	C CAPACITOR	100pF 50V J	

△ Symbol No.	Part No.	Part Name	Description	Local	△ Symbol No.	Part No.	Part Name	Description	Local
C1577	NCB31EK-104X	C CAPACITOR	0.1uF 25V K		C2629	NCF31CZ-104X	C CAPACITOR	0.1uF 16V Z	
C1578	NCB31EK-104X	C CAPACITOR	0.1uF 25V K		C2630	QETN0JM-107Z	E CAPACITOR	100uF 6.3V M	
C1581	QETN1HM-475Z	E CAPACITOR	4.7uF 50V M		C2631	NCF31CZ-104X	C CAPACITOR	0.1uF 16V Z	
C1601	NCB31HK-561X	C CAPACITOR	560pF 50V K		C2632	NCF31CZ-104X	C CAPACITOR	0.1uF 16V Z	
C1602	NCB31HK-561X	C CAPACITOR	560pF 50V K		C2633	NCB31CK-223X	C CAPACITOR	0.022uF 16V K	
C1603	QETN1HM-225Z	E CAPACITOR	2.2uF 50V M		C2634	NCB31HK-102X	C CAPACITOR	1000pF 50V K	
C1604	QETN1HM-225Z	E CAPACITOR	2.2uF 50V M		C2635	NCF31CZ-104X	C CAPACITOR	0.1uF 16V Z	
C1605	QETN1HM-105Z	E CAPACITOR	1uF 50V M		C2636	NCF31CZ-104X	C CAPACITOR	0.1uF 16V Z	
C1606	QETN1HM-105Z	E CAPACITOR	1uF 50V M		C2637	NCF31CZ-104X	C CAPACITOR	0.1uF 16V Z	
C1613	NCF31CZ-104X	C CAPACITOR	0.1uF 16V Z		C2638	NCB31CK-103X	C CAPACITOR	0.01uF 16V K	
C1614	NCF31CZ-104X	C CAPACITOR	0.1uF 16V Z		C2639	NCB31CK-103X	C CAPACITOR	0.01uF 16V K	
C1615	NCB31HK-561X	C CAPACITOR	560pF 50V K		C2640	NCB31CK-103X	C CAPACITOR	0.01uF 16V K	
C1616	NCB31HK-561X	C CAPACITOR	560pF 50V K		C2641	NCB31CK-103X	C CAPACITOR	0.01uF 16V K	
C1617	NCB31HK-561X	C CAPACITOR	560pF 50V K		C2642	NCB31CK-103X	C CAPACITOR	0.01uF 16V K	
C1618	NCB31HK-561X	C CAPACITOR	560pF 50V K		C2651	QETN0JM-107Z	E CAPACITOR	100uF 6.3V M	
C1619	NCB31HK-103X	C CAPACITOR	0.01uF 50V K		C2652	NCB31CK-103X	C CAPACITOR	0.01uF 16V K	
C1620	NCB31HK-103X	C CAPACITOR	0.01uF 50V K		C2653	NDC31HJ-101X	C CAPACITOR	100pF 50V J	
C1621	NCB31HK-561X	C CAPACITOR	560pF 50V K		C2654	NCF31CZ-104X	C CAPACITOR	0.1uF 16V Z	
C1622	QETN1HM-225Z	E CAPACITOR	2.2uF 50V M		C2655	NCF31CZ-104X	C CAPACITOR	0.1uF 16V Z	
C1623	NCF31CZ-104X	C CAPACITOR	0.1uF 16V Z		C2656	QETN1AM-476Z	E CAPACITOR	47uF 10V M	
C1624	NCF31CZ-104X	C CAPACITOR	0.1uF 16V Z		C2661	NDC31HJ-101X	C CAPACITOR	100pF 50V J	
C1625	NDC31HJ-330X	C CAPACITOR	33pF 50V J		C2662	NCF31CZ-104X	C CAPACITOR	0.1uF 16V Z	
C1626	QETN1HM-225Z	E CAPACITOR	2.2uF 50V M		C2663	NCF31CZ-104X	C CAPACITOR	0.1uF 16V Z	
C1627	NCF31CZ-104X	C CAPACITOR	0.1uF 16V Z		C2665	NCF31CZ-104X	C CAPACITOR	0.1uF 16V Z	
C1628	NCF31CZ-104X	C CAPACITOR	0.1uF 16V Z		C2666	NCB31CK-103X	C CAPACITOR	0.01uF 16V K	
C1629	NCB31HK-102X	C CAPACITOR	1000pF 50V K		C2667	NCB31CK-103X	C CAPACITOR	0.01uF 16V K	
C1630	NCB31HK-102X	C CAPACITOR	1000pF 50V K		C2668	NCB31CK-103X	C CAPACITOR	0.01uF 16V K	
C1631	NCB31HK-103X	C CAPACITOR	0.01uF 50V K		C2670	NDC31HJ-270X	C CAPACITOR	27pF 50V J	
C1641	NCB31HK-561X	C CAPACITOR	560pF 50V K		C2681	QETN1CM-106Z	E CAPACITOR	10uF 16V M	
C1642	QETN1EM-475Z	E CAPACITOR	4.7uF 25V M		C2682	QETN1CM-106Z	E CAPACITOR	10uF 16V M	
C1643	NCF31CZ-104X	C CAPACITOR	0.1uF 16V Z		C2683	QETN1AM-476Z	E CAPACITOR	47uF 10V M	
C1644	NCF31CZ-104X	C CAPACITOR	0.1uF 16V Z		C2684	QETN0JM-227Z	E CAPACITOR	220uF 6.3V M	
C1645	NCF31CZ-104X	C CAPACITOR	0.1uF 16V Z		C2685	QETN0JM-107Z	E CAPACITOR	100uF 6.3V M	
C1646	NCF31CZ-104X	C CAPACITOR	0.1uF 16V Z		C2686	NCF31CZ-104X	C CAPACITOR	0.1uF 16V Z	
C1647	NCB31CK-823X	C CAPACITOR	0.082uF 16V K		C2687	QETN0JM-107Z	E CAPACITOR	100uF 6.3V M	
C1648	QFN31HJ-333Z	M CAPACITOR	0.033uF 50V J		C2688	NCF31CZ-104X	C CAPACITOR	0.1uF 16V Z	
C1649	QETN1HM-475Z	E CAPACITOR	4.7uF 50V M		C2689	NCF31CZ-104X	C CAPACITOR	0.1uF 16V Z	
C1650	NCB31CK-823X	C CAPACITOR	0.082uF 16V K		C2695	NCF31AZ-105X	C CAPACITOR	1uF 10V Z	
C1651	QFN31HJ-333Z	M CAPACITOR	0.033uF 50V J		C2696	NCF31AZ-105X	C CAPACITOR	1uF 10V Z	
C1652	NDC31HJ-330X	C CAPACITOR	33pF 50V J		C4501	NDC31HJ-100X	C CAPACITOR	10pF 50V J	
C1653	QETN1EM-475Z	E CAPACITOR	4.7uF 25V M		C4502	NDC31HJ-100X	C CAPACITOR	10pF 50V J	
C1654	NCB31HK-471X	C CAPACITOR	470pF 50V K		C4503	NDC31HJ-100X	C CAPACITOR	10pF 50V J	
C1655	NCB31HK-471X	C CAPACITOR	470pF 50V K		C4504	QETN1HM-475Z	E CAPACITOR	4.7uF 50V M	
C1656	NCB31HK-332X	C CAPACITOR	3300pF 50V K		C4505	QETN1HM-475Z	E CAPACITOR	4.7uF 50V M	
C1661	NCB31HK-561X	C CAPACITOR	560pF 50V K		C4506	QETN1HM-475Z	E CAPACITOR	4.7uF 50V M	
C1662	QETN1HM-225Z	E CAPACITOR	2.2uF 50V M		C4507	NDC31HJ-100X	C CAPACITOR	10pF 50V J	
C1663	NCF31CZ-104X	C CAPACITOR	0.1uF 16V Z		C4508	NDC31HJ-100X	C CAPACITOR	10pF 50V J	
C1664	NCF31CZ-104X	C CAPACITOR	0.1uF 16V Z		C4509	NDC31HJ-100X	C CAPACITOR	10pF 50V J	
C1665	NDC31HJ-330X	C CAPACITOR	33pF 50V J		C4510	QETN1HM-475Z	E CAPACITOR	4.7uF 50V M	
C1666	QETN1HM-225Z	E CAPACITOR	2.2uF 50V M		C4511	QETN1HM-475Z	E CAPACITOR	4.7uF 50V M	
C1667	NCB31HK-102X	C CAPACITOR	1000pF 50V K		C4512	QETN1HM-475Z	E CAPACITOR	4.7uF 50V M	
C1668	NCB31HK-102X	C CAPACITOR	1000pF 50V K		C4513	NDC31HJ-100X	C CAPACITOR	10pF 50V J	
C1669	NCB31HK-103X	C CAPACITOR	0.01uF 50V K		C4514	NDC31HJ-100X	C CAPACITOR	10pF 50V J	
C2601	QETN0JM-107Z	E CAPACITOR	100uF 6.3V M		C4515	NDC31HJ-100X	C CAPACITOR	10pF 50V J	
C2602	NCF31CZ-104X	C CAPACITOR	0.1uF 16V Z		C4516	QETN0JM-477Z	E CAPACITOR	470uF 6.3V M	
C2603	NCF31CZ-104X	C CAPACITOR	0.1uF 16V Z		C4517	QETN1AM-107Z	E CAPACITOR	100uF 10V M	
C2604	NCF31CZ-104X	C CAPACITOR	0.1uF 16V Z		C4518	QETN1AM-107Z	E CAPACITOR	100uF 10V M	
C2605	NCF31CZ-104X	C CAPACITOR	0.1uF 16V Z		C4521	NDC31HJ-101X	C CAPACITOR	100pF 50V J	
C2606	NCF31CZ-104X	C CAPACITOR	0.1uF 16V Z		C4531	QKFC1CM-476Z	E CAPACITOR	47uF 16V M	
C2607	NCF31CZ-104X	C CAPACITOR	0.1uF 16V Z		C4532	NCF31CZ-104X	C CAPACITOR	0.1uF 16V Z	
C2608	NCB31HK-102X	C CAPACITOR	1000pF 50V K		C5501	NCB31HK-331X	C CAPACITOR	330pF 50V K	
C2609	NCF31CZ-104X	C CAPACITOR	0.1uF 16V Z		C5502	NCB31HK-331X	C CAPACITOR	330pF 50V K	
C2610	NCF31CZ-104X	C CAPACITOR	0.1uF 16V Z		C5503	NCB31HK-331X	C CAPACITOR	330pF 50V K	
C2611	NCF31CZ-104X	C CAPACITOR	0.1uF 16V Z		C5504	NCB31HK-331X	C CAPACITOR	330pF 50V K	
C2612	NCF31CZ-104X	C CAPACITOR	0.1uF 16V Z		C6501	NDC31HJ-331X	C CAPACITOR	330pF 50V J	
C2613	NCF31CZ-104X	C CAPACITOR	0.1uF 16V Z		C6502	NDC31HJ-331X	C CAPACITOR	330pF 50V J	
C2614	NCF31CZ-104X	C CAPACITOR	0.1uF 16V Z		C6503	NDC31HJ-331X	C CAPACITOR	330pF 50V J	
C2615	NDC31HJ-820X	C CAPACITOR	82pF 50V J		C6504	NDC31HJ-331X	C CAPACITOR	330pF 50V J	
C2616	NDC31HJ-820X	C CAPACITOR	82pF 50V J		C6505	NDC31HJ-331X	C CAPACITOR	330pF 50V J	
C2617	NCF31CZ-104X	C CAPACITOR	0.1uF 16V Z		C6506	NDC31HJ-331X	C CAPACITOR	330pF 50V J	
C2621	QETN1CM-106Z	E CAPACITOR	10uF 16V M		C6507	NDC31HJ-331X	C CAPACITOR	330pF 50V J	
C2622	QETN1CM-106Z	E CAPACITOR	10uF 16V M		C6508	NDC31HJ-331X	C CAPACITOR	330pF 50V J	
C2623	QETN1CM-106Z	E CAPACITOR	10uF 16V M		C6509	NDC31HJ-331X	C CAPACITOR	330pF 50V J	
C2624	NCF31CZ-104X	C CAPACITOR	0.1uF 16V Z		C6510	NDC31HJ-331X	C CAPACITOR	330pF 50V J	
C2625	NCF31CZ-104X	C CAPACITOR	0.1uF 16V Z		C6511	NDC31HJ-331X	C CAPACITOR	330pF 50V J	
C2626	NCB31HK-221X	C CAPACITOR	220pF 50V K		C6512	NDC31HJ-331X	C CAPACITOR	330pF 50V J	
C2627	NCB31HK-221X	C CAPACITOR	220pF 50V K		C6513	NDC31HJ-331X	C CAPACITOR	330pF 50V J	
C2628	QETN1EM-475Z	E CAPACITOR	4.7uF 25V M		C6514	NDC31HJ-331X	C CAPACITOR	330pF 50V J	

△ Symbol No.	Part No.	Part Name	Description	Local	△ Symbol No.	Part No.	Part Name	Description	Local
C6515	NDC31HJ-331X	C CAPACITOR	330pF 50V J		R606	NRSA63J-0R0X	MG RESISTOR	0Ω 1/16W J	
C6516	NDC31HJ-331X	C CAPACITOR	330pF 50V J		R607	NRSA63J-223X	MG RESISTOR	22kΩ 1/16W J	
C6517	NDC31HJ-331X	C CAPACITOR	330pF 50V J		R608	NRSA63J-223X	MG RESISTOR	22kΩ 1/16W J	
C6518	NDC31HJ-331X	C CAPACITOR	330pF 50V J		R609	NRSA63J-0R0X	MG RESISTOR	0Ω 1/16W J	
C6519	NDC31HJ-331X	C CAPACITOR	330pF 50V J		R610	NRSA63J-0R0X	MG RESISTOR	0Ω 1/16W J	
C6520	NDC31HJ-331X	C CAPACITOR	330pF 50V J		R611	NRSA63J-223X	MG RESISTOR	22kΩ 1/16W J	
C6523	NDC31HJ-470X	C CAPACITOR	47pF 50V J		R612	NRSA63J-223X	MG RESISTOR	22kΩ 1/16W J	
C6524	NCB31EK-473X	C CAPACITOR	0.047uF 25V K		R613	NRSA63J-223X	MG RESISTOR	22kΩ 1/16W J	
C6525	NDC31HJ-470X	C CAPACITOR	47pF 50V J		R614	NRSA63J-223X	MG RESISTOR	22kΩ 1/16W J	
C6526	QETN0JM-477Z	E CAPACITOR	470uF 6.3V M		R617	NRSA63J-472X	MG RESISTOR	4.7kΩ 1/16W J	
C6527	NDC31HJ-470X	C CAPACITOR	47pF 50V J		R618	NRSA63J-472X	MG RESISTOR	4.7kΩ 1/16W J	
C6528	QETN0JM-477Z	E CAPACITOR	470uF 6.3V M		R621	NRSA63J-331X	MG RESISTOR	330Ω 1/16W J	
C6529	NCB31EK-473X	C CAPACITOR	0.047uF 25V K		R622	NRSA63J-331X	MG RESISTOR	330Ω 1/16W J	
C6530	QEK1HM-475Z	E CAPACITOR	4.7uF 50V M		R623	NRSA63J-331X	MG RESISTOR	330Ω 1/16W J	
C6531	QEK1HM-475Z	E CAPACITOR	4.7uF 50V M		R624	NRSA63J-331X	MG RESISTOR	330Ω 1/16W J	
C6532	NDC31HJ-470X	C CAPACITOR	47pF 50V J		R631	NRSA63J-103X	MG RESISTOR	10kΩ 1/16W J	
C6533	NCB31EK-473X	C CAPACITOR	0.047uF 25V K		R632	NRSA63J-103X	MG RESISTOR	10kΩ 1/16W J	
C6534	NDC31HJ-470X	C CAPACITOR	47pF 50V J		R633	NRSA63J-102X	MG RESISTOR	1kΩ 1/16W J	
C6535	QETN0JM-477Z	E CAPACITOR	470uF 6.3V M		R634	NRSA63J-102X	MG RESISTOR	1kΩ 1/16W J	
C6536	NDC31HJ-470X	C CAPACITOR	47pF 50V J		R635	NRSA63J-104X	MG RESISTOR	100kΩ 1/16W J	
C6537	QETN0JM-477Z	E CAPACITOR	470uF 6.3V M		R636	NRSA63J-104X	MG RESISTOR	100kΩ 1/16W J	
C6538	NCB31EK-473X	C CAPACITOR	0.047uF 25V K		R637	NRSA63J-102X	MG RESISTOR	1kΩ 1/16W J	
C6539	QEK1HM-475Z	E CAPACITOR	4.7uF 50V M		R638	NRSA63J-102X	MG RESISTOR	1kΩ 1/16W J	
C6540	QEK1HM-475Z	E CAPACITOR	4.7uF 50V M		R639	NRSA63J-102X	MG RESISTOR	1kΩ 1/16W J	
C6541	NCB31EK-473X	C CAPACITOR	0.047uF 25V K		R640	NRSA63J-102X	MG RESISTOR	1kΩ 1/16W J	
C6542	QEK1HM-475Z	E CAPACITOR	4.7uF 50V M		R641	NRSA63J-102X	MG RESISTOR	1kΩ 1/16W J	
C6543	QEK1HM-475Z	E CAPACITOR	4.7uF 50V M		R642	NRSA63J-102X	MG RESISTOR	1kΩ 1/16W J	
C6544	NDC31HJ-470X	C CAPACITOR	47pF 50V J		R643	NRSA63J-333X	MG RESISTOR	33kΩ 1/16W J	
C6545	NCB31EK-473X	C CAPACITOR	0.047uF 25V K		R644	NRSA63J-333X	MG RESISTOR	33kΩ 1/16W J	
C6546	NDC31HJ-470X	C CAPACITOR	47pF 50V J		R645	NRSA63J-473X	MG RESISTOR	47kΩ 1/16W J	
C6547	QETN0JM-477Z	E CAPACITOR	470uF 6.3V M		R646	NRSA63J-104X	MG RESISTOR	100kΩ 1/16W J	
C6548	NDC31HJ-470X	C CAPACITOR	47pF 50V J		R647	NRSA63J-104X	MG RESISTOR	100kΩ 1/16W J	
C6549	QETN0JM-477Z	E CAPACITOR	470uF 6.3V M		R648	NRSA63J-104X	MG RESISTOR	100kΩ 1/16W J	
C6559	NCB31CK-104X	C CAPACITOR	0.1uF 16V K		R649	NRSA63J-333X	MG RESISTOR	33kΩ 1/16W J	
C6560	QETN1CM-476Z	E CAPACITOR	47uF 16V M		R650	NRSA63J-333X	MG RESISTOR	33kΩ 1/16W J	
C6561	NCB31HK-221X	C CAPACITOR	220pF 50V K		R651	NRSA63J-333X	MG RESISTOR	33kΩ 1/16W J	
C6562	QCZ0202-155Z	C CAPACITOR	1.5uF 25V Z		R652	NRSA63J-333X	MG RESISTOR	33kΩ 1/16W J	
C7501	NDC31HJ-331X	C CAPACITOR	330pF 50V J		R653	NRSA63J-223X	MG RESISTOR	22kΩ 1/16W J	
C7502	NDC31HJ-331X	C CAPACITOR	330pF 50V J		R654	NRSA63J-223X	MG RESISTOR	22kΩ 1/16W J	
C7503	NCF31CZ-104X	C CAPACITOR	0.1uF 16V Z		R655	NRSA63J-163X	MG RESISTOR	16kΩ 1/16W J	
					R656	NRSA63J-163X	MG RESISTOR	16kΩ 1/16W J	
R557	NRSA63J-0R0X	MG RESISTOR	0Ω 1/16W J		R657	NRSA63J-104X	MG RESISTOR	100kΩ 1/16W J	
R558	NRSA63J-0R0X	MG RESISTOR	0Ω 1/16W J		R658	NRSA63J-104X	MG RESISTOR	100kΩ 1/16W J	
R561	NRSA63J-102X	MG RESISTOR	1kΩ 1/16W J		R659	NRSA63J-103X	MG RESISTOR	10kΩ 1/16W J	
R562	NRSA63J-102X	MG RESISTOR	1kΩ 1/16W J		R660	NRSA63J-103X	MG RESISTOR	10kΩ 1/16W J	
R565	NRSA63J-102X	MG RESISTOR	1kΩ 1/16W J		R661	NRSA63J-683X	MG RESISTOR	68kΩ 1/16W J	
R566	NRSA63J-102X	MG RESISTOR	1kΩ 1/16W J		R662	NRSA63J-683X	MG RESISTOR	68kΩ 1/16W J	
R567	NRSA63J-511X	MG RESISTOR	510Ω 1/16W J		R663	NRSA63J-562X	MG RESISTOR	5.6kΩ 1/16W J	
R568	NRSA63J-511X	MG RESISTOR	510Ω 1/16W J		R664	NRSA63J-562X	MG RESISTOR	5.6kΩ 1/16W J	
R569	NRSA63J-271X	MG RESISTOR	270Ω 1/16W J		R665	NRSA63J-103X	MG RESISTOR	10kΩ 1/16W J	
R570	NRSA63J-271X	MG RESISTOR	270Ω 1/16W J		R666	NRSA63J-103X	MG RESISTOR	10kΩ 1/16W J	
R571	NRSA63J-103X	MG RESISTOR	10kΩ 1/16W J		R667	NRSA63J-104X	MG RESISTOR	100kΩ 1/16W J	
R572	NRSA63J-103X	MG RESISTOR	10kΩ 1/16W J		R668	NRSA63J-104X	MG RESISTOR	100kΩ 1/16W J	
R573	NRSA63J-102X	MG RESISTOR	1kΩ 1/16W J		R671	NRSA63J-242X	MG RESISTOR	2.4kΩ 1/16W J	
R574	NRSA63J-473X	MG RESISTOR	47kΩ 1/16W J		R672	NRSA63J-242X	MG RESISTOR	2.4kΩ 1/16W J	
R575	NRSA63J-473X	MG RESISTOR	47kΩ 1/16W J		R673	NRSA63J-181X	MG RESISTOR	180Ω 1/16W J	
R576	NRSA63J-102X	MG RESISTOR	1kΩ 1/16W J		R674	NRSA63J-181X	MG RESISTOR	180Ω 1/16W J	
R577	NRSA63J-102X	MG RESISTOR	1kΩ 1/16W J		R675	NRSA63J-472X	MG RESISTOR	4.7kΩ 1/16W J	
R579	NRSA63J-472X	MG RESISTOR	4.7kΩ 1/16W J		R676	NRSA63J-472X	MG RESISTOR	4.7kΩ 1/16W J	
R580	NRSA63J-472X	MG RESISTOR	4.7kΩ 1/16W J		R677	NRSA63J-181X	MG RESISTOR	180Ω 1/16W J	
R581	NRSA63J-102X	MG RESISTOR	1kΩ 1/16W J		R678	NRSA63J-181X	MG RESISTOR	180Ω 1/16W J	
R582	NRSA63J-102X	MG RESISTOR	1kΩ 1/16W J		R679	NRSA63J-472X	MG RESISTOR	4.7kΩ 1/16W J	
R583	NRSA63J-162X	MG RESISTOR	1.6kΩ 1/16W J		R680	NRSA63J-472X	MG RESISTOR	4.7kΩ 1/16W J	
R584	NRSA63J-162X	MG RESISTOR	1.6kΩ 1/16W J		R681	NRSA63J-242X	MG RESISTOR	2.4kΩ 1/16W J	
R585	NRSA63J-331X	MG RESISTOR	330Ω 1/16W J		R682	NRSA63J-242X	MG RESISTOR	2.4kΩ 1/16W J	
R586	NRSA63J-472X	MG RESISTOR	4.7kΩ 1/16W J		R691	NRSA63J-0R0X	MG RESISTOR	0Ω 1/16W J	
R587	NRSA63J-223X	MG RESISTOR	22kΩ 1/16W J		R692	NRSA63J-0R0X	MG RESISTOR	0Ω 1/16W J	
R593	NRSA63J-102X	MG RESISTOR	1kΩ 1/16W J		R694	NRSA63J-0R0X	MG RESISTOR	0Ω 1/16W J	
R594	NRSA63J-102X	MG RESISTOR	1kΩ 1/16W J		R695	NRSA63J-0R0X	MG RESISTOR	0Ω 1/16W J	
R595	NRSA63J-682X	MG RESISTOR	6.8kΩ 1/16W J		R696	NRSA63J-0R0X	MG RESISTOR	0Ω 1/16W J	
R596	NRSA63J-682X	MG RESISTOR	6.8kΩ 1/16W J		R698	NRSA63J-0R0X	MG RESISTOR	0Ω 1/16W J	
R597	NRSA63J-0R0X	MG RESISTOR	0Ω 1/16W J		R1501	NRSA63J-104X	MG RESISTOR	100kΩ 1/16W J	
R598	NRSA63J-103X	MG RESISTOR	10kΩ 1/16W J		R1502	NRSA63J-104X	MG RESISTOR	100kΩ 1/16W J	
R601	NRSA63J-104X	MG RESISTOR	100kΩ 1/16W J		R1503	NRSA63J-102X	MG RESISTOR	1kΩ 1/16W J	
R602	NRSA63J-104X	MG RESISTOR	100kΩ 1/16W J		R1504	NRSA63J-102X	MG RESISTOR	1kΩ 1/16W J	
R603	NRSA63J-223X	MG RESISTOR	22kΩ 1/16W J		R1505	NRSA63J-103X	MG RESISTOR	10kΩ 1/16W J	
R604	NRSA63J-223X	MG RESISTOR	22kΩ 1/16W J		R1506	NRSA63J-103X	MG RESISTOR	10kΩ 1/16W J	
R605	NRSA63J-0R0X	MG RESISTOR	0Ω 1/16W J		R1507	NRSA63J-104X	MG RESISTOR	100kΩ 1/16W J	

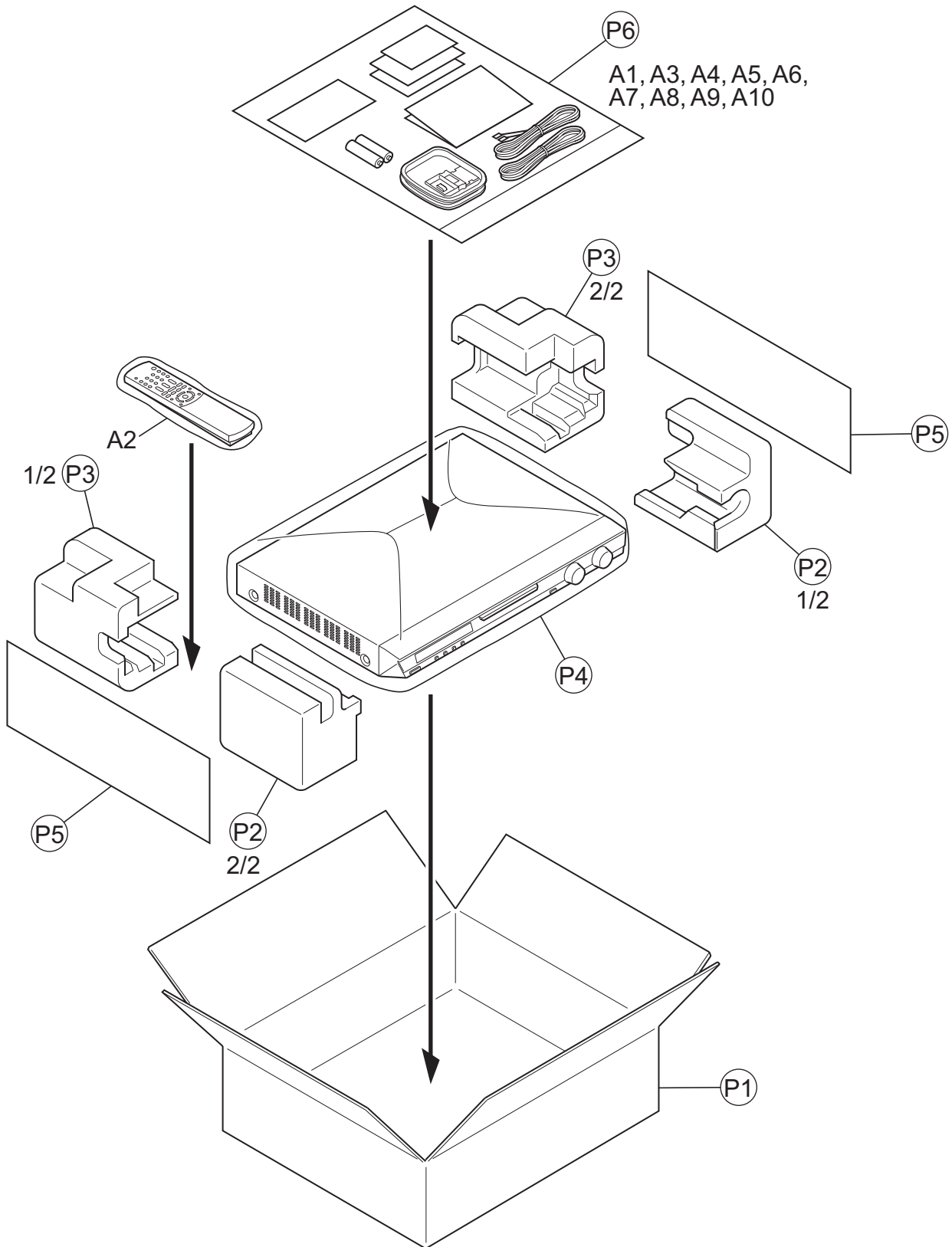
△ Symbol No.	Part No.	Part Name	Description	Local	△ Symbol No.	Part No.	Part Name	Description	Local
R1508	NRSA63J-104X	MG RESISTOR	100kΩ 1/16W J		R1623	NRSA63J-181X	MG RESISTOR	180Ω 1/16W J	
R1509	NRSA63J-102X	MG RESISTOR	1kΩ 1/16W J		R1624	NRSA63J-181X	MG RESISTOR	180Ω 1/16W J	
R1510	NRSA63J-102X	MG RESISTOR	1kΩ 1/16W J		R1625	NRSA63J-562X	MG RESISTOR	5.6kΩ 1/16W J	
R1511	NRSA63J-103X	MG RESISTOR	10kΩ 1/16W J		R1626	NRSA63J-562X	MG RESISTOR	5.6kΩ 1/16W J	
R1512	NRSA63J-103X	MG RESISTOR	10kΩ 1/16W J		R1627	NRSA63J-752X	MG RESISTOR	7.5kΩ 1/16W J	
R1513	NRSA63J-104X	MG RESISTOR	100kΩ 1/16W J		R1628	NRSA63J-752X	MG RESISTOR	7.5kΩ 1/16W J	
R1514	NRSA63J-104X	MG RESISTOR	100kΩ 1/16W J		R1631	NRSA63J-103X	MG RESISTOR	10kΩ 1/16W J	
R1515	NRSA63J-102X	MG RESISTOR	1kΩ 1/16W J		R1632	NRSA63J-102X	MG RESISTOR	1kΩ 1/16W J	
R1517	NRSA63J-103X	MG RESISTOR	10kΩ 1/16W J		R1633	NRSA63J-104X	MG RESISTOR	100kΩ 1/16W J	
R1519	NRSA63J-104X	MG RESISTOR	100kΩ 1/16W J		R1634	NRSA63J-473X	MG RESISTOR	47kΩ 1/16W J	
R1520	NRSA63J-152X	MG RESISTOR	1.5kΩ 1/16W J		R1635	NRSA63J-154X	MG RESISTOR	150kΩ 1/16W J	
R1521	NRSA63J-103X	MG RESISTOR	10kΩ 1/16W J		R1636	NRSA63J-363X	MG RESISTOR	36kΩ 1/16W J	
R1522	NRSA63J-102X	MG RESISTOR	1kΩ 1/16W J		R1637	NRSA63J-103X	MG RESISTOR	10kΩ 1/16W J	
R1523	NRSA63J-102X	MG RESISTOR	1kΩ 1/16W J		R1638	NRSA63J-104X	MG RESISTOR	100kΩ 1/16W J	
R1524	NRSA63J-103X	MG RESISTOR	10kΩ 1/16W J		R1639	NRSA63J-472X	MG RESISTOR	4.7kΩ 1/16W J	
R1525	NRSA63J-103X	MG RESISTOR	10kΩ 1/16W J		R1640	NRSA63J-181X	MG RESISTOR	180Ω 1/16W J	
R1526	NRSA63J-472X	MG RESISTOR	4.7kΩ 1/16W J		R1641	NRSA63J-472X	MG RESISTOR	4.7kΩ 1/16W J	
R1527	NRSA63J-102X	MG RESISTOR	1kΩ 1/16W J		R1642	NRSA63J-181X	MG RESISTOR	180Ω 1/16W J	
R1541	NRSA63J-102X	MG RESISTOR	1kΩ 1/16W J		R1643	NRSA63J-472X	MG RESISTOR	4.7kΩ 1/16W J	
R1542	NRSA63J-102X	MG RESISTOR	1kΩ 1/16W J		R1644	NRSA63J-472X	MG RESISTOR	4.7kΩ 1/16W J	
R1543	NRSA63J-103X	MG RESISTOR	10kΩ 1/16W J		R1651	NRSA63J-103X	MG RESISTOR	10kΩ 1/16W J	
R1544	NRSA63J-103X	MG RESISTOR	10kΩ 1/16W J		R1652	NRSA63J-102X	MG RESISTOR	1kΩ 1/16W J	
R1545	NRSA63J-102X	MG RESISTOR	1kΩ 1/16W J		R1653	NRSA63J-104X	MG RESISTOR	100kΩ 1/16W J	
R1548	NRSA63J-103X	MG RESISTOR	10kΩ 1/16W J		R1654	NRSA63J-473X	MG RESISTOR	47kΩ 1/16W J	
R1549	NRSA63J-103X	MG RESISTOR	10kΩ 1/16W J		R1655	NRSA63J-473X	MG RESISTOR	47kΩ 1/16W J	
R1550	NRSA63J-103X	MG RESISTOR	10kΩ 1/16W J		R1656	NRSA63J-222X	MG RESISTOR	2.2kΩ 1/16W J	
R1551	NRSA63J-822X	MG RESISTOR	8.2kΩ 1/16W J		R1657	NRSA63J-103X	MG RESISTOR	10kΩ 1/16W J	
R1552	NRSA63J-822X	MG RESISTOR	8.2kΩ 1/16W J		R1658	NRSA63J-100X	MG RESISTOR	10Ω 1/16W J	
R1553	NRSA63J-124X	MG RESISTOR	120kΩ 1/16W J		R1659	NRSA63J-103X	MG RESISTOR	10kΩ 1/16W J	
R1554	NRSA63J-103X	MG RESISTOR	10kΩ 1/16W J		R1660	NRSA63J-103X	MG RESISTOR	10kΩ 1/16W J	
R1555	NRSA63J-103X	MG RESISTOR	10kΩ 1/16W J		R1661	NRSA63J-100X	MG RESISTOR	10Ω 1/16W J	
R1556	NRSA63J-183X	MG RESISTOR	18kΩ 1/16W J		R1662	NRSA63J-103X	MG RESISTOR	10kΩ 1/16W J	
R1557	NRSA63J-103X	MG RESISTOR	10kΩ 1/16W J		R1663	NRSA63J-103X	MG RESISTOR	10kΩ 1/16W J	
R1558	NRSA63J-103X	MG RESISTOR	10kΩ 1/16W J		R1664	NRSA63J-473X	MG RESISTOR	47kΩ 1/16W J	
R1559	NRSA63J-102X	MG RESISTOR	1kΩ 1/16W J		R1665	NRSA63J-333X	MG RESISTOR	33kΩ 1/16W J	
R1560	NRSA63J-102X	MG RESISTOR	1kΩ 1/16W J		R1666	NRSA63J-104X	MG RESISTOR	100kΩ 1/16W J	
△ R1561	QRZ9005-100X	FUSI RESISTOR	10Ω		R1667	NRSA63J-472X	MG RESISTOR	4.7kΩ 1/16W J	
△ R1562	QRJ146J-561X	UNF C RESISTOR	560Ω 1/4W J		R1668	NRSA63J-181X	MG RESISTOR	180Ω 1/16W J	
R1565	NRSA63J-0R0X	MG RESISTOR	0Ω 1/16W J		R1669	NRSA63J-472X	MG RESISTOR	4.7kΩ 1/16W J	
R1567	NRSA63J-103X	MG RESISTOR	10kΩ 1/16W J		R1670	NRSA63J-181X	MG RESISTOR	180Ω 1/16W J	
R1569	NRSA63J-474X	MG RESISTOR	470kΩ 1/16W J		R1671	NRSA63J-472X	MG RESISTOR	4.7kΩ 1/16W J	
R1570	NRSA63J-474X	MG RESISTOR	470kΩ 1/16W J		R1672	NRSA63J-472X	MG RESISTOR	4.7kΩ 1/16W J	
R1571	NRSA63J-102X	MG RESISTOR	1kΩ 1/16W J		R1681	NRSA63J-103X	MG RESISTOR	10kΩ 1/16W J	
R1572	NRSA63J-102X	MG RESISTOR	1kΩ 1/16W J		R1682	NRSA63J-102X	MG RESISTOR	1kΩ 1/16W J	
R1573	NRSA63J-181X	MG RESISTOR	180Ω 1/16W J		R1683	NRSA63J-104X	MG RESISTOR	100kΩ 1/16W J	
R1574	NRSA63J-181X	MG RESISTOR	180Ω 1/16W J		R1684	NRSA63J-473X	MG RESISTOR	47kΩ 1/16W J	
R1575	NRSA63J-104X	MG RESISTOR	100kΩ 1/16W J		R1685	NRSA63J-154X	MG RESISTOR	150kΩ 1/16W J	
R1576	NRSA63J-104X	MG RESISTOR	100kΩ 1/16W J		R1686	NRSA63J-104X	MG RESISTOR	100kΩ 1/16W J	
R1577	NRSA63J-104X	MG RESISTOR	100kΩ 1/16W J		R1687	NRSA63J-472X	MG RESISTOR	4.7kΩ 1/16W J	
R1578	NRSA63J-104X	MG RESISTOR	100kΩ 1/16W J		R1688	NRSA63J-181X	MG RESISTOR	180Ω 1/16W J	
R1581	NRSA63J-104X	MG RESISTOR	100kΩ 1/16W J		R1689	NRSA63J-472X	MG RESISTOR	4.7kΩ 1/16W J	
R1582	NRSA63J-102X	MG RESISTOR	1kΩ 1/16W J		R1690	NRSA63J-181X	MG RESISTOR	180Ω 1/16W J	
R1583	NRSA63J-103X	MG RESISTOR	10kΩ 1/16W J		R1691	NRSA63J-472X	MG RESISTOR	4.7kΩ 1/16W J	
R1584	NRSA63J-103X	MG RESISTOR	10kΩ 1/16W J		R1692	NRSA63J-472X	MG RESISTOR	4.7kΩ 1/16W J	
R1588	NRSA63J-221X	MG RESISTOR	220Ω 1/16W J		R2601	NRSA63J-221X	MG RESISTOR	220Ω 1/16W J	
R1591	NRSA63J-102X	MG RESISTOR	1kΩ 1/16W J		R2602	NRSA63J-221X	MG RESISTOR	220Ω 1/16W J	
R1592	NRSA63J-102X	MG RESISTOR	1kΩ 1/16W J		R2603	NRSA63J-221X	MG RESISTOR	220Ω 1/16W J	
R1593	NRSA63J-102X	MG RESISTOR	1kΩ 1/16W J		R2604	NRSA63J-221X	MG RESISTOR	220Ω 1/16W J	
R1594	NRSA63J-102X	MG RESISTOR	1kΩ 1/16W J		R2605	NRSA63J-102X	MG RESISTOR	1kΩ 1/16W J	
R1595	NRSA63J-102X	MG RESISTOR	1kΩ 1/16W J		R2606	NRSA63J-102X	MG RESISTOR	1kΩ 1/16W J	
R1596	NRSA63J-103X	MG RESISTOR	10kΩ 1/16W J		R2607	NRSA63J-102X	MG RESISTOR	1kΩ 1/16W J	
R1599	NRSA63J-103X	MG RESISTOR	10kΩ 1/16W J		R2608	NRSA63J-102X	MG RESISTOR	1kΩ 1/16W J	
R1601	NRSA63J-103X	MG RESISTOR	10kΩ 1/16W J		R2609	NRSA63J-103X	MG RESISTOR	10kΩ 1/16W J	
R1602	NRSA63J-103X	MG RESISTOR	10kΩ 1/16W J		R2611	NRSA63J-103X	MG RESISTOR	10kΩ 1/16W J	
R1603	NRSA63J-102X	MG RESISTOR	1kΩ 1/16W J		R2612	NRSA63J-103X	MG RESISTOR	10kΩ 1/16W J	
R1604	NRSA63J-102X	MG RESISTOR	1kΩ 1/16W J		R2613	NRSA63J-103X	MG RESISTOR	10kΩ 1/16W J	
R1605	NRSA63J-104X	MG RESISTOR	100kΩ 1/16W J		R2614	NRSA63J-103X	MG RESISTOR	10kΩ 1/16W J	
R1606	NRSA63J-104X	MG RESISTOR	100kΩ 1/16W J		R2615	NRSA63J-103X	MG RESISTOR	10kΩ 1/16W J	
R1607	NRSA63J-103X	MG RESISTOR	10kΩ 1/16W J		R2616	NRSA63J-105X	MG RESISTOR	1MΩ 1/16W J	
R1608	NRSA63J-103X	MG RESISTOR	10kΩ 1/16W J		R2617	NRSA63J-221X	MG RESISTOR	220Ω 1/16W J	
R1609	NRSA63J-103X	MG RESISTOR	10kΩ 1/16W J		R2618	NRSA63J-103X	MG RESISTOR	10kΩ 1/16W J	
R1610	NRSA63J-103X	MG RESISTOR	10kΩ 1/16W J		R2619	NRSA63J-103X	MG RESISTOR	10kΩ 1/16W J	
R1617	NRSA63J-752X	MG RESISTOR	7.5kΩ 1/16W J		R2620	NRSA63J-103X	MG RESISTOR	10kΩ 1/16W J	
R1618	NRSA63J-752X	MG RESISTOR	7.5kΩ 1/16W J		R2621	NRSA63J-103X	MG RESISTOR	10kΩ 1/16W J	
R1619	NRSA63J-181X	MG RESISTOR	180Ω 1/16W J		R2622	NRSA63J-103X	MG RESISTOR	10kΩ 1/16W J	
R1620	NRSA63J-181X	MG RESISTOR	180Ω 1/16W J		R2623	NRSA63J-103X	MG RESISTOR	10kΩ 1/16W J	
R1621	NRSA63J-562X	MG RESISTOR	5.6kΩ 1/16W J		R2624	NRSA63J-103X	MG RESISTOR	10kΩ 1/16W J	
R1622	NRSA63J-562X	MG RESISTOR	5.6kΩ 1/16W J		R2625	NRSA63J-103X	MG RESISTOR	10kΩ 1/16W J	

Symbol No.	Part No.	Part Name	Description	Local
R6574	NRS181J-221X	MG RESISTOR	220Ω 1/8W J	
R6575	NRSA63J-102X	MG RESISTOR	1kΩ 1/16W J	
R6576	NRS181J-221X	MG RESISTOR	220Ω 1/8W J	
R6577	NRS181J-221X	MG RESISTOR	220Ω 1/8W J	
R6578	NRSA63J-102X	MG RESISTOR	1kΩ 1/16W J	
R6581	NRSA63J-751X	MG RESISTOR	750Ω 1/16W J	
R6582	NRSA63J-751X	MG RESISTOR	750Ω 1/16W J	
R6583	NRSA63J-103X	MG RESISTOR	10kΩ 1/16W J	
R6584	NRSA63J-103X	MG RESISTOR	10kΩ 1/16W J	
R6585	NRSA63J-751X	MG RESISTOR	750Ω 1/16W J	
R6586	NRSA63J-751X	MG RESISTOR	750Ω 1/16W J	
R6587	NRSA63J-103X	MG RESISTOR	10kΩ 1/16W J	
R6588	NRSA63J-103X	MG RESISTOR	10kΩ 1/16W J	
R6591	NRSA63J-103X	MG RESISTOR	10kΩ 1/16W J	
R6592	NRSA63J-103X	MG RESISTOR	10kΩ 1/16W J	
R6593	NRSA63J-103X	MG RESISTOR	10kΩ 1/16W J	
R6594	NRSA63J-0R0X	MG RESISTOR	0Ω 1/16W J	
R6595	NRSA63J-221X	MG RESISTOR	220Ω 1/16W J	
R6599	NRSA63J-0R0X	MG RESISTOR	0Ω 1/16W J	
R7501	NRSA63J-0R0X	MG RESISTOR	0Ω 1/16W J	
R7502	NRSA63J-0R0X	MG RESISTOR	0Ω 1/16W J	
R8501	NRSA63J-102X	MG RESISTOR	1kΩ 1/16W J	
R8502	NRSA63J-102X	MG RESISTOR	1kΩ 1/16W J	
R8503	NRSA63J-102X	MG RESISTOR	1kΩ 1/16W J	
CN451	QGA2001C1-09	CONNECTOR	W-B (1-9)	
CN501	QGB2510J1-11	CONNECTOR	B-B (1-11)	
CN502	QGF1205C1-11	CONNECTOR	FFC/FPC (1-11)	
CN505	QGF1205C1-11	CONNECTOR	FFC/FPC (1-11)	
CN506	QGA2501C1-11	CONNECTOR	W-B (1-11)	
CN509	QJK025-091105	SIN CR C-B		
CN511	QJK021-031603	SIN ID C-B		
CN525	QJK025-070802	SIN CR C-B		
CN530	QJK025-092804	SIN CR C-B		
CN531	QGF1205C1-05	CONNECTOR	FFC/FPC (1-5)	
CN532	QGF1205C1-06	CONNECTOR	FFC/FPC (1-6)	
CN540	QJK025-072302	SIN CR C-B		
CN541	QGF1205C1-05	CONNECTOR	FFC/FPC (1-5)	
CN542	QGF1205C1-06	CONNECTOR	FFC/FPC (1-6)	
CN555	QGA2501C1-02	CONNECTOR	W-B (1-2)	
CN565	QJK025-021002	SIN TWIST		
CN571	QGB2510K1-11	CONNECTOR	B-B (1-11)	
CN572	QGB2510K1-11	CONNECTOR	B-B (1-11)	
CN601	QGB2510J1-11	CONNECTOR	B-B (1-11)	
CN602	QGF1205C1-11	CONNECTOR	FFC/FPC (1-11)	
EP501	QNZ0136-001Z	EARTH PLATE		
EP502	QNZ0136-001Z	EARTH PLATE		
FL501	QQR1372-001	LPF		
FL502	QQR1372-001	LPF		
FW226	WJS0047-001A	E-FL/RB WI		
J504	QNN0610-001	PIN JACK		
J505	QNS0089-001	3.5 JACK		
J681	QNN0481-001	SURROUND JACK		
J4501	QNN0600-001	PIN JACK		
J5501	QNN0616-001	PIN JACK		
J5502	QNN0618-001	PIN JACK		
J6501	QNN0556-001	PIN JACK		
J6502	QNN0556-001	PIN JACK		
J6503	QNN0615-001	PIN JACK		
J6511	QNN0570-001	PIN JACK		
J6512	QNN0570-001	PIN JACK		
J6513	QNN0570-001	PIN JACK		
J7501	QNS0231-001	JACK		
K2681	NQR0269-004X	FERRITE BEADS		
UN682	GP1FA553RZ	OPT RECEIVER		
UN683	GP1FA553RZ	OPT RECEIVER		
UN686	GP1FA553TZ	OPT TRANSMITTER		
X501	QAX0246-001Z	C RESONATOR	8.00MHz	
X661	QAX0722-001Z	CRYSTAL	24.576MHz	
X671	QAX0719-001Z	C RESONATOR	6.144MHz	

< MEMO >

Packing materials and accessories parts list

Block No. M 3 M M



Packing and accessories

Block No. [M][3][M][M]

△	Symbol No.	Part No.	Part Name	Description	Local
	A 1	LVT1163-002A	INST BOOK	ENG FRE	F10SC
	A 1	LVT1163-001A	INST BOOK	ENG	F10SJ
	A 2	RM-SRXF10J	REMOCON		
	A 3	-----	BATTERY	(x2)	
	A 4	LV43880-001A	SETTING SHEET		
	A 5	QAL0457-001	ANT.WIRE		
	A 6	QAL0476-001	AM LOOP ANT		
	A 7	BT-51034-2	J=REGIST CARD		F10SJ
	A 8	YU20333	SAFETY INST.		F10SJ
	A 9	QAM0199-002	PIN CABLE		
	A 10	BT-52006-2	WARRANTY CARD		F10SC
	P 1	LV35011-013A	CARTON BOX		
	P 2	LV21644-001A	CUSHION(FRONT)		
	P 3	LV21645-002A	CUSHION(REAR)		
	P 4	QPC06507015P	POLY BAG	65cm x 70cm	
	P 5	LV32034-014A	SHEET	(x2)	
	P 6	QPA02503505P	POLY BAG	25cm x 35cm	