

Service Manual

TV

CUC 7303

P 37 - 080

P 37 - 830 text

P 37 - 830/4 text

P 45 - 830 text

Miami

SE 3780 text

Grundig Service

Hotline Deutschland...
...Mo.-Fr. 8.00-16.30 Uhr

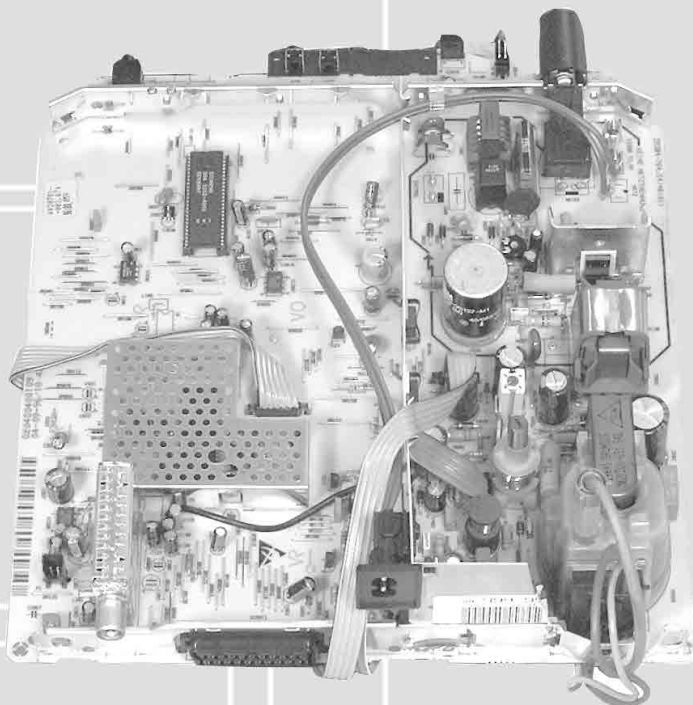
Technik:

TV/SAT	0180/52318-41
VCR/LiveCam	0180/52318-42
HiFi/Audio	0180/52318-43
Car Audio	0180/52318-44
Telekommunikation	0180/52318-45

Fax: 0180/52318-51

Ersatzteil-Bestellannahme:

Telefon:	0180/52318-40
Fax:	0180/52318-50



Zusätzlich erforderliche
Unterlagen für den Komplettservice

Additionally required
Service Manuals for the Complete Service

Ergänzung
Supplement

6

Sach-Nr./Part No.
72010 019 4600

Service
Manual

CUC 7303

Sach-Nr./Part No.
72010-019.40

Ergänzung
Supplement

3

Sach-Nr./Part No.
72010-019.43

Service
Manual

Sicherheit
Safety

Sach-Nr./Part No.
72010-800.00

Btx * 32700 #

Sachnummer
Part Number 72010 019 4600

Änderungen vorbehalten
Subject to alteration

Printed in Germany
VK24 0598

Es gelten die Vorschriften und Sicherheitshinweise gemäß dem Service Manual "Sicherheit", Sach-Nummer 72010-800.00, sowie zusätzlich die eventuell abweichenden, landesspezifischen Vorschriften!



The regulations and safety instructions shall be valid as provided by the "Safety" Service Manual, part number 72010-800.00, as well as the respective national deviations.

D

Für diese Geräte gilt das Service Manual CUC 7303. Diese Ergänzung dokumentiert die Unterschiede bzw. zusätzlichen Bestückungen der Geräte. Die Bausteinbestückung und die Sachnummern der einzelnen Bausteine entnehmen Sie bitte der Tabelle auf Seite 3. Grundlage für den Service sind:
 – Sicherheitsvorschriften (Sach-Nr. 72010-800.00)
 – Service Manual CUC 7303 (Sach-Nr. 72010-019.40)
 – 3. Ergänzung CUC 7303 (Sach-Nr. 72010-019.43)

GB

For these TV sets the Service Manual CUC 7303 is applicable. This Manual describes the differences and the additionally fitted modules of the TV receivers. The individual modules and the relevant part numbers are listed in the table on page 3. Basic instructions for servicing are given in the:
 – Safety Instructions (Part No. 72010-800.00)
 – Service Manual CUC 7303 (Part No. 72010-019.40)
 – 3 st Supplement CUC 7303 (Part No. 72010-019.43)

Inhaltsverzeichnis

	Seite
Technische Daten	2
Modulübersicht	3
Chassisplatte	3
Gesamtschaltplan	9
Bildrohrplatte 29305-022.87 / .88	14
Ersatzteillisten	16

Table of Contents

	Page
Technical Data	2
Module List	3
Chassis Board	3
General Circuit Diagram	9
CRT Panel 29305-022.87 / .88	14
Spare Parts Lists	16

Technische Daten / Technical Data

	P 37 - 080	P 37 - 830 text	P 37 - 830/4 text	P 45 - 830 text	Miami SE 3780 text
Bildröhre / Picture Tube					
Sichtbares Bild Visible picture	34cm	34cm	34cm	41cm	34cm
Bildschirmdiagonale Screen diagonale	37cm (14") tinted glass	37cm (14") tinted glass	37cm (14") tinted glass	45cm (17") FST Black Planar	37cm (14") tinted glass
Ablenkwinkel Deflection angle	90°	90°	90°	90°	90°
Bildwechselfrequenz Vertical frequency	50Hz	50Hz	50Hz	50Hz	50Hz
Elektronik / Electronic					
Programmspeicherplätze Programme positions	69 TV + 1 AV	69 TV + 1 AV	69 TV + 1 AV	69 TV + 1 AV	79 TV + 1 AV
Kabeltuner für Hyperband (8MHz) Cable tuner for hyperband (8MHz)	ja / Yes	ja / Yes	ja / Yes	ja / Yes	ja / Yes
TV-Normen TV-Standard	PAL, BG,	PAL, BG,	PAL, SECAM, NTSC 4,43MHz, BG, DK/K/D	PAL, BG,	PAL, BG,
Videotext Teletext	—	1-Seiten-Text 1-page-text	1-Seiten-Text 1-page-text	1-Seiten-Text 1-page-text	1-Seiten-Text 1-page-text
Musikleistung Music power	2W	2W	2W	2W	2W
Anschlüsse Front / Connections Front					
Kopfhörer Headphones	Stereo 3,5mm Klinkenbuchse Stereo 3.5mm jack				
Anschlüsse Rückwand / Connections Rear Panel					
Euro AV 1 (schwarz/black)	FBAS in/out, RGB input	FBAS in/out, RGB input	FBAS in/out, RGB input	FBAS in/out, RGB input	FBAS in/out, RGB input SBAS input
Netzteil / Mains Stage					
Netzspannung (Regelber.) Mains voltage (variable)	165...265V	165...265V	165...265V	165...265V	165...265V
Netzfrequenz Mains frequency	50 / 60Hz	50 / 60Hz	50 / 60Hz	50 / 60Hz	50 / 60Hz
Leistungsaufnahme Power consumption	ca. 35W	ca. 35W	ca. 35W	ca. 35W	ca. 35W
Standby	ca. 9W	ca. 9W	ca. 9W	ca. 9W	ca. 9W

Modulübersicht / Module List

	Sachnummer Part Number	P 37 - 080	P 37 - 830 text	P 37 - 830/4 text	P 45 - 830 text	Miami SE 3780 text
Bestell-Nr. Order No.		G.CG 4502	G.CG 4102 G.CG 4183	G.CF 9002	G.CF 9252	G.CG 4782
Tuner VST	WW 8140-601-610	●	●	●	●	●
Tuner VST	8140-601-614	●	●	●	●	●
Bildrohrplatte CRT Panel	29305-022.87	●	●	●	—	●
	29305-022.88	—	—	—	●	—
TP 715	29642-062.11	●	●	●	●	●

Platinenabbildungen und Schaltpläne / Layout of the PCBs and Circuit Diagrams

Chassisplatte

Koordinaten für die Bauteile der Bestückungsseite (Oberseite)

Chassis Board

Coordinates of the components on the components side (top side)

Pos.-Nr./ Pos. No.	Koordinaten/ Coordinates		Pos.-Nr./ Pos. No.	Koordinaten/ Coordinates		Pos.-Nr./ Pos. No.	Koordinaten/ Coordinates		Pos.-Nr./ Pos. No.	Koordinaten/ Coordinates		Pos.-Nr./ Pos. No.	Koordinaten/ Coordinates				
	X	Y		X	Y		X	Y		X	Y		X	Y			
C106	160	34	C543	116	193	C2817	185	105	F927	73	96	P01	34	18	R633	186	215
C108	146	46	C601	221	203	C2856	197	26	F931	80	40				R647	143	212
C112	135	46	C603	229	164	C2858	11	31				Q171	106	56	R651	175	184
C115	169	48	C604	238	165				IC110	144	55	Q172	99	56	R652	180	181
C127	50	54				C3331	48	25	IC150	95	70	Q857	205	64			
			C609	211	174				IC320	59	20				R653	177	184
C128	58	62	C621	191	199	CH01	267	58	IC400	60	151	R118	125	48	R654	181	196
C129	47	61	C622	195	175				IC630	167	190	R119	123	51	R661	184	236
C136	61	84	C623	191	192	CO626	150	178				R156	43	139	R663	166	203
C141	89	85	C624	191	176				IC676	108	153	R166	16	22	R664	145	206
C145	67	63				D323	104	13	IC690	141	153	R183	100	101			
			C626	150	179	D324	94	24	IC810	282	173				R665	171	225
C148	53	60	C626	150	179	D401	69	157	IC810	277	173	R203	256	29	R666	161	241
C149	80	86	C627	130	203	D405	73	137	IC820	196	60	R303	61	26	R667	164	241
C151	148	73	C646	156	241	D406	64	154				R337	81	19	R669	155	209
C152	140	73	C647	152	202				IC830	172	40	R401	79	135	R681	91	172
C153	145	80				D444	100	175	IC850	204	76	R404	46	138			
			C652	168	179	D512	127	136	IC950	110	36				R683	28	124
C158	92	54	C653	166	183	D513	117	184	IC2807	166	99	R406	73	169	R685	50	128
C167	99	46	C656	174	174	D514	191	137				R408	11	156	R2203	256	84
C191	141	89	C661	182	205	D524	55	195	IR-BA	265	184	R411	9	166	R4414	21	133
C302	33	54	C663	176	225							R412	70	171			
C303	18	30				D543	91	219	KB	265	169	R413	11	146	RGB	107	101
			C664	144	194	D621	190	168							S601	241	219
C309	41	56	C667	184	225	D622	191	162	KH335	269	36	R414	16	137			
C323	50	17	C669	155	233	D623	190	187	KH3335	273	85	R416	86	179	SCART01	6	93
C325	96	16	C671	104	221	D624	188	178				R502	45	164			
C326	43	16	C672	107	210				L108	158	53	R503	28	155			
C327	71	17				D646	151	237	L301	29	30	R504	35	166	SI600	231	239
			C676	173	139	D647	151	222	L302	38	30				SI671	94	233
C331	47	25	C681	101	242	D661	175	199	L303	32	30	R506	9	176			
C402	65	163	C682	87	245	D662	163	204	L305	56	54	R511	70	136	ST-BAT01	230	73
C408	18	144	C682	87	245	D663	164	217				R512	68	125	ST-BAT03	105	143
C412	82	162	C683	28	108				L381	260	36	R512	70	125	ST-BAT04	83	212
C417	85	191				D664	180	233	L506	20	195	R513	195	139	ST-BAT02	71	244
			C687	38	129	D666	180	240	L526	18	200				ST-J 69	182	
C422	59	168	C695	155	139	D667	148	206	L531	50	180	R521	16	158			
C444	96	175	C811	258	172	D668	156	209	L533	72	194	R522	13	179	ST-NETZ02	212	221
C446	108	174	C818	196	91	D671	101	226				R524	56	199			
C501	29	139	C819	196	101				L543	86	223	R526	20	203	T501	39	160
C502	43	169				D682	104	237	L601	233	189	R531	51	190	T506	9	189
			C827	203	55	D683	25	114	L601	231	187				T511	75	124
C503	48	159	C851	180	41	D816	274	194	L601	231	187	R532	95	189	T523	139	131
C506	28	180	C863	140	139	D816	272	194	L641	142	208	R533	73	206	T665	172	229
C511	64	131	C911	48	79	D826	171	14				R542	117	133			
C512	201	137	C921	116	26				L646	148	246	R543	79	224	T686	40	122
C513	61	125				ENTMAG	213	164	L819	199	121	R546	82	223	TR501	25	168
			C922	110	26				L912	155	66				TR550	37	227
C522	38	196	C923	105	45	F130	71	84	L924	90	100	R553	116	167	TR601	129	232
C526	28	189	C924	95	39	F901	67	53	L2836	204	94	R554	94	214	TRX550	37	227
C527	10	207	C966	175	93	F906	80	51				R554	96	214			
C532	68	252	C2810	168	89	F923	89	109	L3381	261	93	R609	209	187	TUNER	30	42
C541	73	214				F924	89	94				R621	197	199			
			C2815	175	103				NETZ	211	243						
C542	68	214	C2816	183	103	F926	69	96				R627	166	165			

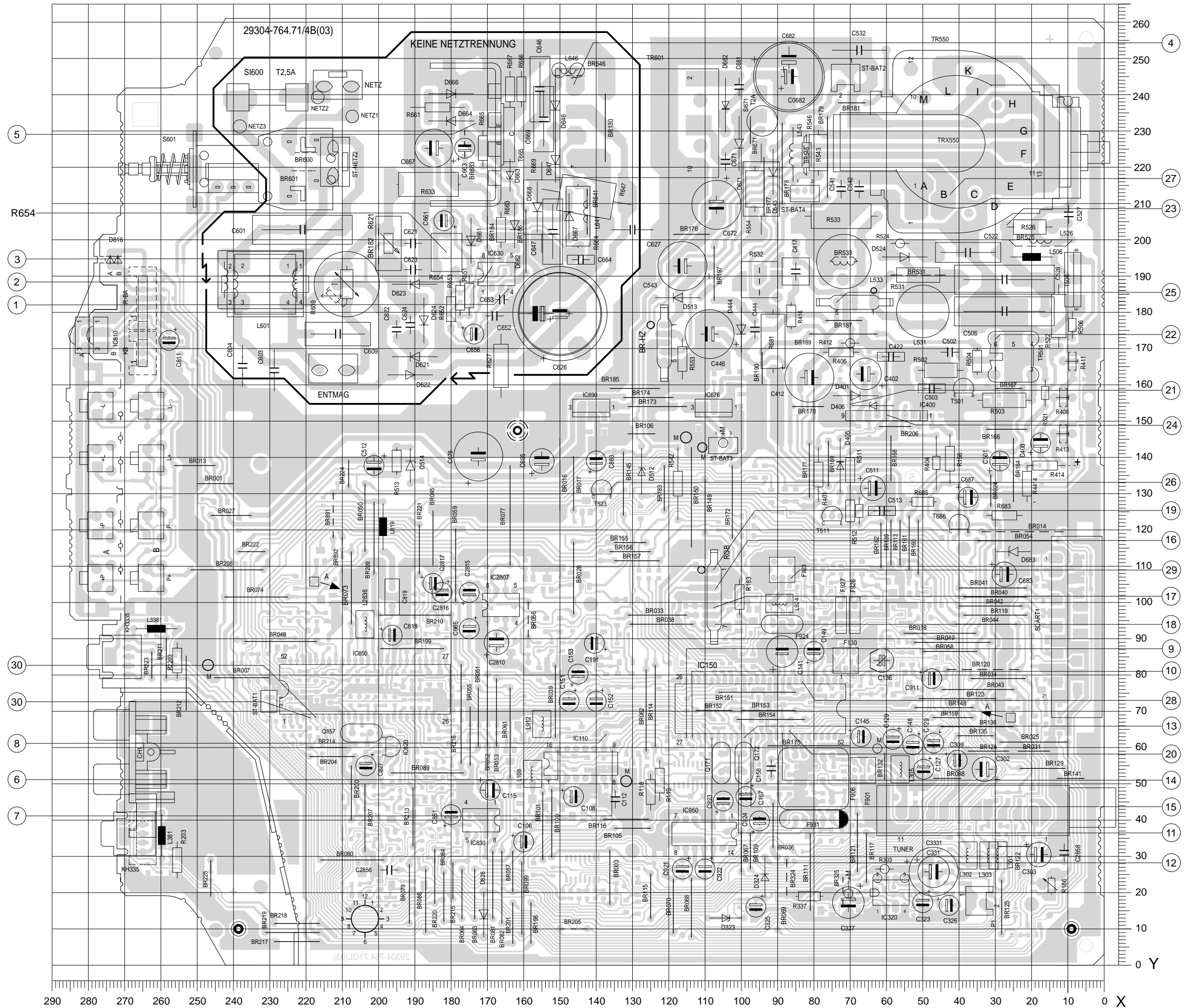
**Koordinaten für die Bauteile der Lötseite
(Unterseite)**

**Coordinates of the Components on the Solder Side
(Bottom Side)**

Pos.-Nr./ Pos. No.	Koordinaten/ Coordinates		Pos.-Nr./ Pos. No.	Koordinaten/ Coordinates		Pos.-Nr./ Pos. No.	Koordinaten/ Coordinates		Pos.-Nr./ Pos. No.	Koordinaten/ Coordinates		Pos.-Nr./ Pos. No.	Koordinaten/ Coordinates		Pos.-Nr./ Pos. No.	Koordinaten/ Coordinates	
	X	Y		X	Y		X	Y		X	Y		X	Y		X	Y
CBR01	78	74	CC146	97	84	CC2811	169	99	CR153	103	82	CR829	203	73	CR961	16	88
CBR02	254	170	CC147	53	95	CC2820	212	105	CR154	126	56	CR830	249	127	CR962	18	79
CBR03	157	26							CR155	88	52	CR831	219	79	CR963	98	118
CBR04	118	83	CC149	72	75	CC2821	224	96				CR832	184	53	CR964	17	64
CBR05	221	73	CC156	86	67	CC2822	219	96	CR156	100	84	CR833	215	105	CR965	98	121
			CC157	91	67	CC2823	215	96	CR158	89	67	CR834	214	88	CR966	98	123
CBR06	148	64	CC163	88	129	CC2825	184	35	CR159	101	65	CR835	193	72	CR967	16	68
CBR07	40	38	CC166	97	66	CC2834	200	79	CR161	89	56	CR836	191	72	CR968	12	65
CBR08	20	47							CR162	53	105						
CBR09	45	30	CC167	94	66	CC2835	203	21	CR163	85	129	CR837	188	33	CR971	12	70
CBR11	87	48	CC171	103	52	CC2836	203	79	CR164	20	21	CR838	184	94	CR974	99	74
			CC172	101	52	CC2837	206	79	CR165	93	47	CR839	188	91	CR984	56	89
CBR13	156	80	CC173	107	71	CC2841	23	46	CR166	95	49	CR840	180	53	CR985	132	16
CBR17	77	95	CC174	108	66	CC2845	206	22	CR167	96	55	CR841	180	111	CR2801	178	64
CBR19	130	101															
CBR23	177	78	CC177	92	75	CC2850	199	52	CR168	86	54	CR843	182	53	CR2802	178	67
CBR24	128	125	CC184	102	89	CC2851	199	48	CR169	49	104	CR844	189	57	CR2803	180	79
			CC307	30	46	CC3381	264	92	CR171	102	60	CR845	217	79	CR2810	206	50
CBR27	42	72	CC308	27	46	CC3382	258	94	CR173	105	66	CR846	184	57	CR2811	208	43
CBR30	47	99	CC321	62	21	CC3383	256	84	CR174	120	64	CR847	175	39	CR2812	208	46
CBR32	181	91															
CBR37	137	78	CC322	54	19	CD109	146	56	CR175	120	60	CR848	182	57	CR2813	169	107
CBR41	30	38	CC328	68	16	CD134	63	81	CR181	98	102	CR849	170	57	CR2814	178	105
			CC331	45	22	CD135	64	76	CR182	96	102	CR850	189	72	CR2815	204	46
CBR42	131	55	CC381	260	27	CD181	103	100	CR183	99	89	CR851	190	53	CR2820	205	40
CBR46	92	129	CC382	246	24	CD191	134	78	CR186	105	89	CR852	175	60	CR2821	147	93
CBR47	90	48															
CBR52	25	14	CC383	257	31	CD192	134	95	CR187	149	88	CR853	167	57	CR2822	200	43
CBR53	68	34	CC401	68	146	CD193	130	78	CR191	136	83	CR854	170	65	CR2823	196	43
			CC403	69	165	CD194	132	83	CR192	134	87	CR855	175	65	CR2824	195	29
CBR57	22	25	CC404	53	154	CD501	32	157	CR193	147	88	CR856	186	63	CR2825	197	33
CBR58	18	35	CC406	49	148	CD516	186	133	CR194	132	91	CR857	204	64	CR2826	186	38
CBR59	92	71															
CBR61	92	97	CC411	7	161	CD651	167	191	CR304	43	33	CR858	211	134	CR2827	191	38
CBR62	83	86	CC419	46	151	CD654	176	176	CR305	35	38	CR859	186	72	CR2829	152	88
			CC501	29	155	CD656	181	181	CR306	26	72	CR860	213	79	CR2830	150	105
CBR66	152	25	CC653	172	191	CD673	100	162	CR307	24	72	CR861	224	72	CR2831	202	17
CBR68	128	15	CC654	173	184	CD830	244	128	CR309	41	60	CR862	191	79	CR2832	200	17
CBR71	45	87															
CBR72	48	81	CC673	112	150	CD901	72	49	CR313	22	36	CR863	189	79	CR2833	147	106
CBR73	88	125	CC674	107	139	CD902	74	53	CR314	28	36	CR864	226	64	CR2834	193	22
			CC676	108	162	CD926	69	104	CR315	25	38	CR865	227	73	CR2836	195	17
CBR84	238	121	CC682	28	111	CD927	72	104	CR321	68	21	CR866	235	78	CR2837	198	17
CBR85	96	136	CC694	138	148	CD928	66	103	CR322	53	15	CR867	222	61	CR2839	186	79
CBR90	137	68															
CBR98	48	76	CC695	142	148	CD929	63	103	CR323	91	19	CR868	172	30	CR2840	203	40
CBR101	72	55	CC805	254	165	CD941	78	36	CR324	98	17	CR869	166	22	CR2841	209	35
			CC808	189	100	CD942	75	36	CR325	60	13	CR870	215	59	CR2842	209	37
CBR108	42	69	CC818	183	79	CD943	73	42	CR326	41	20	CR873	216	65	CR2843	194	33
CBR109	128	21	CC819	260	189	CD944	72	36	CR327	100	17	CR875	215	79	CR2846	200	33
CBR113	123	78															
CBR114	164	62	CC820	210	74	CD954	22	87	CR328	45	20	CR876	193	79	CR2847	201	36
CBR115	78	86	CC821	195	46	CD2827	154	93	CR329	58	20	CR877	194	49	CR2848	183	38
			CC822	226	78	CD2829	150	93	CR331	41	22	CR878	222	64	CR2849	181	35
CBR119	160	73	CC823	230	96				CR381	257	27	CR879	208	79	CR2850	194	63
CBR124	60	98	CC825	159	110	CIC105	114	52	CR382	263	27	CR880	192	87	CR2851	196	49
CBR125	45	90															
CBR126	182	111	CC826	200	58	CR100	187	49	CR402	39	133	CR881	232	86	CR2852	201	48
CBR127	117	99	CC827	198	73	CR101	160	34	CR403	65	168	CR882	236	86	CR2853	183	28
			CC831	168	39	CR102	160	38	CR404	73	162	CR883	210	79	CR2856	188	29
CBR130	24	8	CC836	195	73	CR103	162	37	CR405	74	127	CR891	211	114	CR2858	20	11
CBR131	20	8	CC837	186	94	CR104	162	41	CR406	15	150	CR892	211	112	CR3381	259	86
CBR133	94	136															
CBR134	96	91	CC838	196	80	CR105	141	45	CR407	16	137	CR901	70	45	CR3382	261	92
CBR135	213	74	CC842	187	53	CR106	141	41	CR408	17	134	CR902	81	47			
			CC848	187	57	CR107	149	41	CR409	65	146	CR903	128	25	CT101	159	46
CBR138	178	32	CC852	172	65	CR108	152	56	CR411	131	131	CR904	66	53	CT106	145	41
CBR139	183	47	CC854	205	61	CR109	149	56	CR412	145	122	CR905	147	19	CT107	153	42
CBR140	229	67															
CBR141	239	83	CC855	183	63	CR110	138	56	CR419	6	150	CR906	149	19	CT110	164	88
CBR142	180	48	CC856	208	73	CR111	157	94	CR523	63	134	CR907	52	46	CT115	164	58
			CC859	219	64	CR112	159	86	CR541	106	121	CR911	92	91	CT169	53	101
CBR143	188	37	CC860	217	74	CR113	156	88	CR641	142	208	CR912	152	67	CT181	97	96
CBR144	210	21	CC863	190	76	CR114	172	52	CR654	173	182	CR913	169	52	CT186	102	93
CBR145	204	36															
CBR146	193	38	CC865	230	76	CR115	165	65	CR656	177	184	CR914	159	62	CT191	141	84
CBR175	130	58	CC866	197	77	CR116	144	64	CR673	100	155	CR916	53	84	CT193	140	93
			CC868	215	63	CR121	102	74	CR674	103	162	CR917	54	75	CT325	77	15
CBR844	139	126	CC869	215	55	CR122	115	72	CR686	43	118	CR918	56	84	CT411	143	126
CBR881	223	89	CC881	233	82	CR124	44	60	CR687	38	125	CR919	70	76	CT826	214	101
CC106	158	42	CC901	78	54	CR126	215	128	CR801	257	121	CR920	83	108	CT840	158	105
CC107	157	38	CC902	78	46	CR127	48	54	CR802	261	129	CR921	76	100	CT881	227	89
CC108	147	48	CC906	84	60	CR128	49	62	CR803	238	111	CR922	84	102	CT892	216	112
CC109	142	55	CC912	161	51	CR130	134	24	CR804	261	131	CR923	78	110	CT901	79	51
CC111	137	48	CC913	167	52	CR131	134	19	CR805	257	154	CR924	87	103	CT915	160	

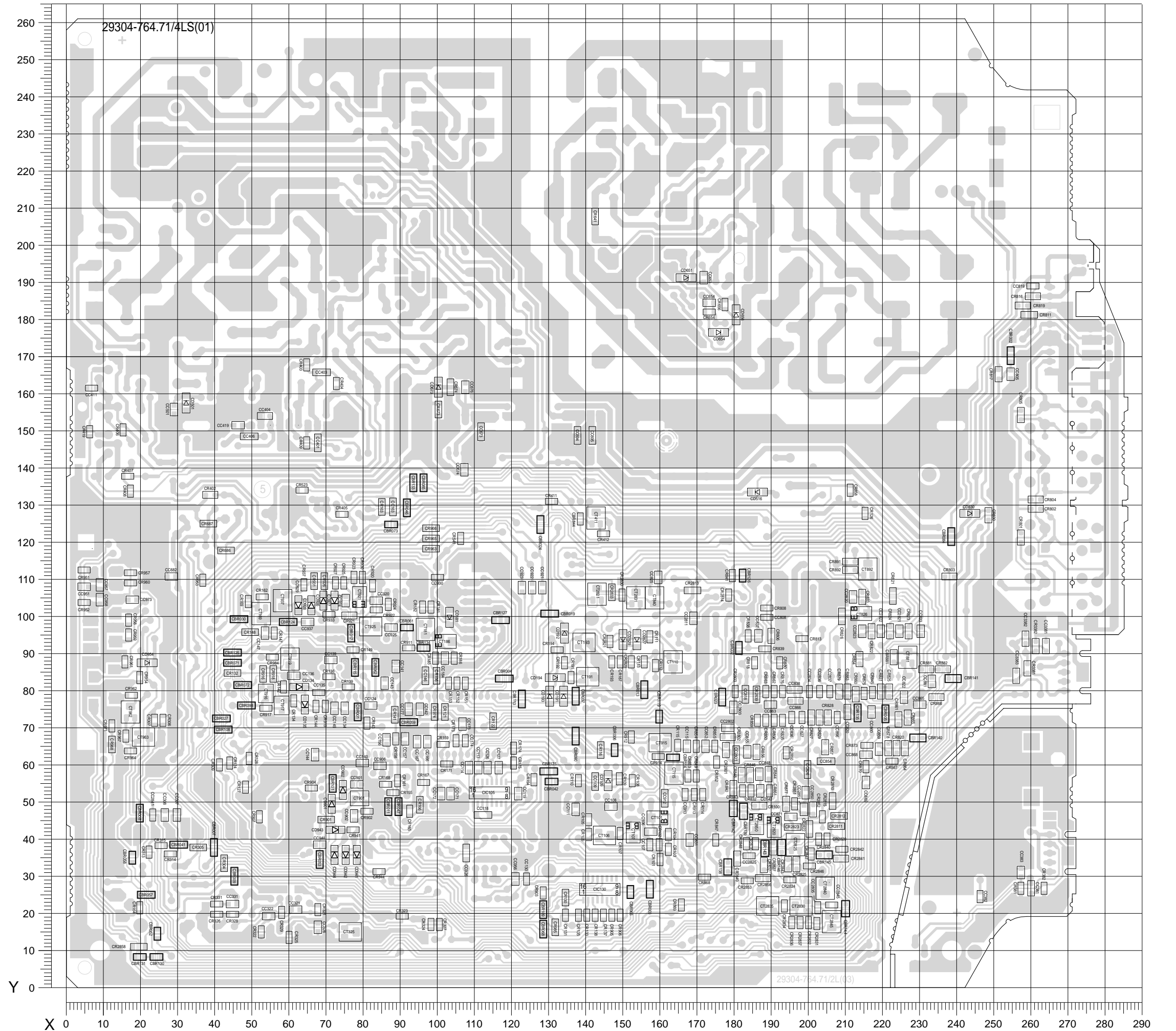
Chassisplatte Chassis Board

Bestückungsseite, Ansicht von oben /
Component Side, Top View

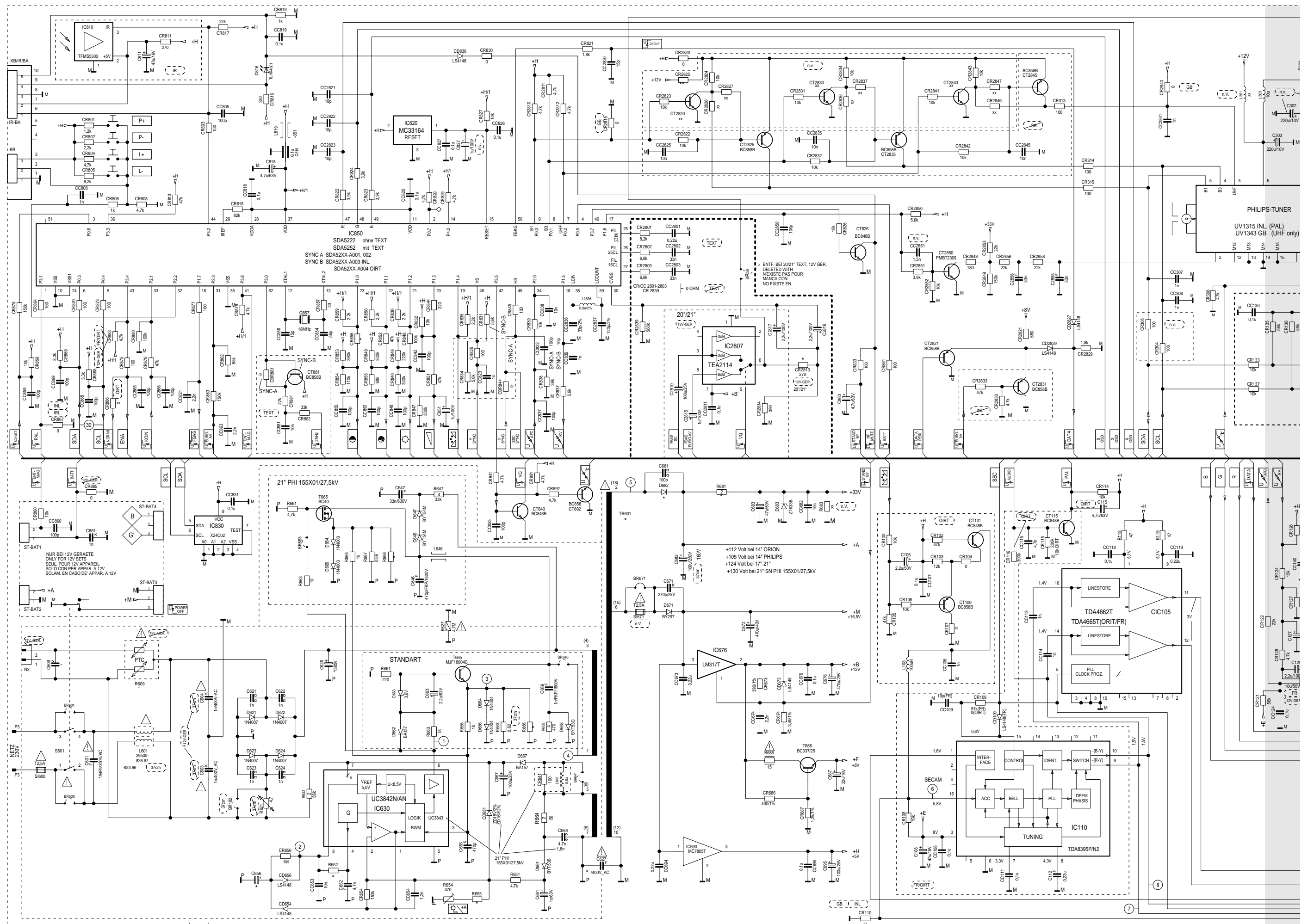


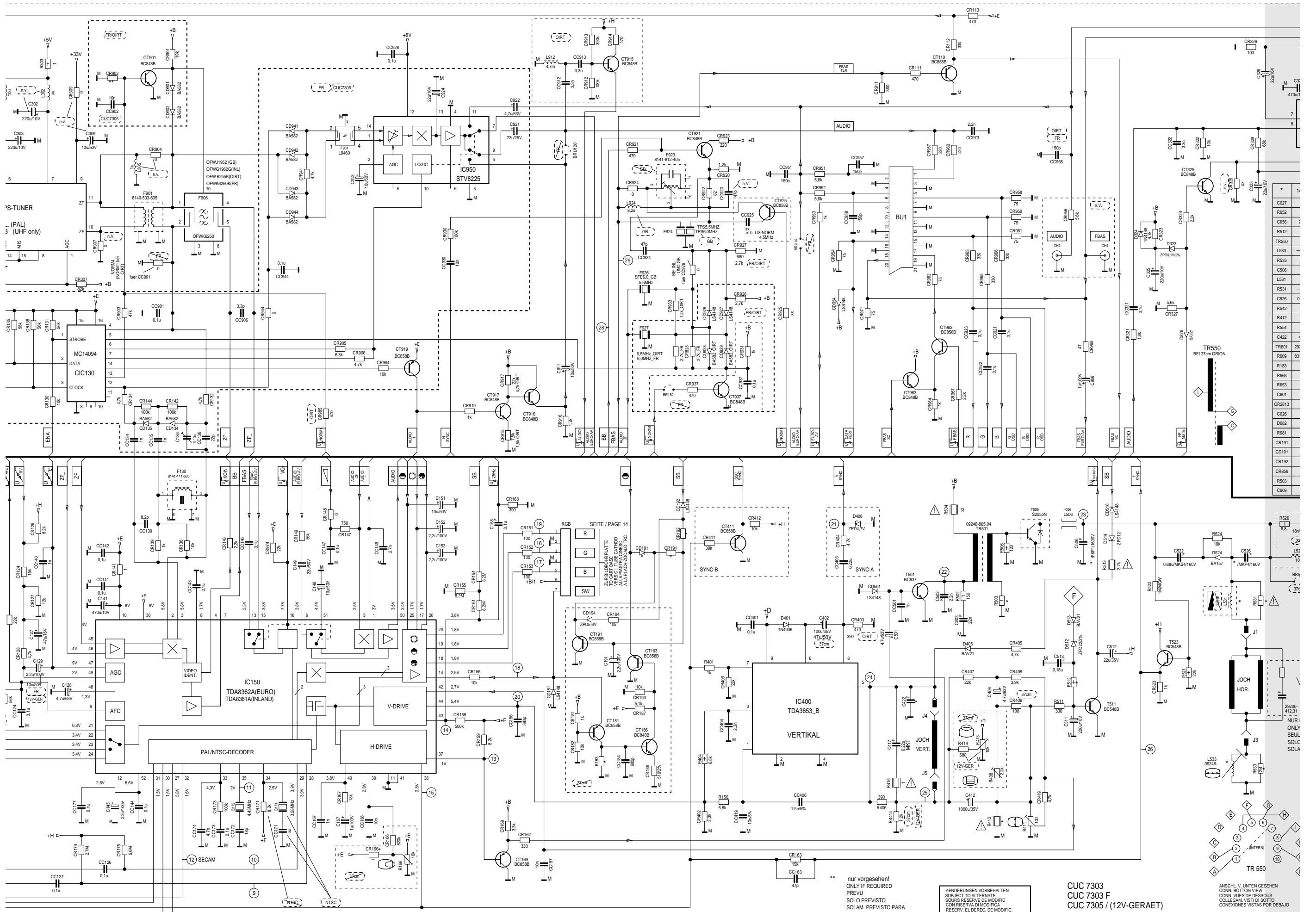
Chassisplatte Chassis Board

Lötseite, Ansicht von unten /
Solder Side, Bottom View



Gesamtschaltplan / General Circuit Diagram



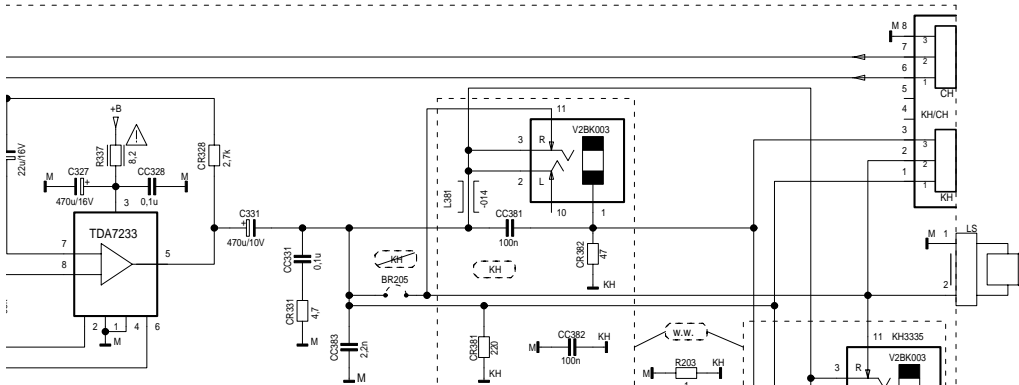


nur vorgesehen!
ONLY IF REQUIRED
PREVU
SOLO PREVISTO
SOLAM. PREVISTO PARA

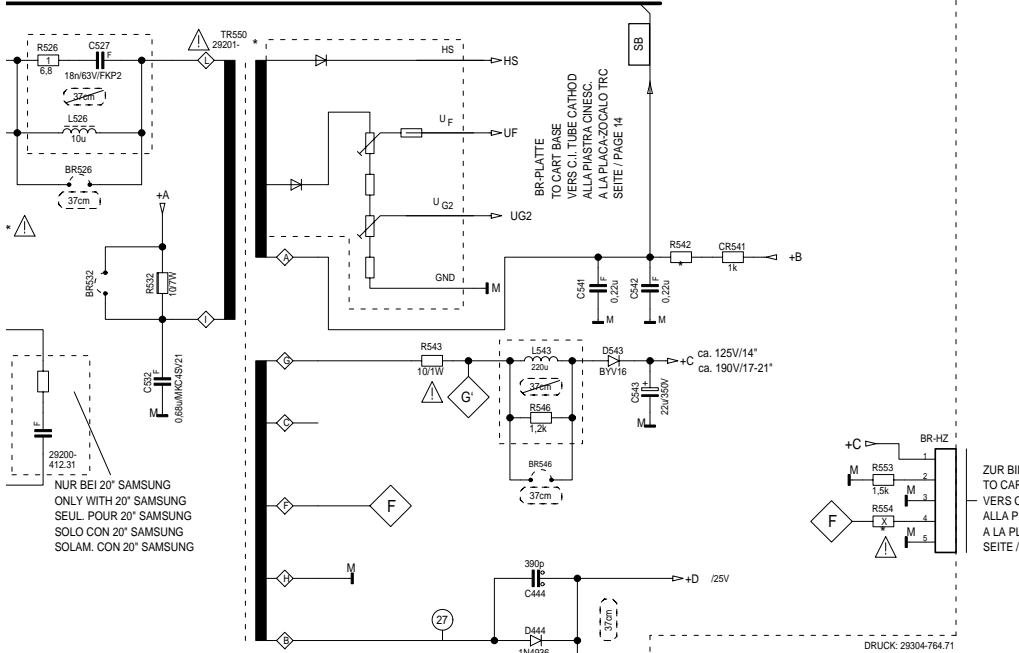
ÄNDERUNGEN VORBEHALTEN
SUBJECT TO ALTERNATE
SOU'S RESERVE DE MODIFIC
CON RESERVA DE MODIFICA
RESERV. EL DERECH. DE MODIFIC.

CUC 7303
CUC 7303 F
CUC 7305 / (12V-GERAET)

ANSCHL. V. UNTEN GESEHEN
CONN. BOTTOM VIEW
CONN. VUES DE SSOUS
COLLEGAM. VISTI D SOTTO
CONEXIONES VISTAS POR DEBAJO



* 14" ORION	14" PHILIPS	17"	20" SAMSUNG	21" SN PHI 135X01/25KV	21" SN PHI 155X01/27.5KV	VIDEO-COLOR 20"	21" SAMSUNG SN / 27.5KV
C627	2.2n	2.2n	2.2n	2.2n	2.2n	2.2n	2.2n
R652	10k	10k	10k	10k	10k	6.8k	10k
C656	2.2u/100V	2.2u/100V	2.2u/100V	2.2u/100V	2.2u/100V	0.47u/100V	2.2u/100V
R512	3.9k	1.5k	2.2k	2.2k	2.2k	5.6k	2.2k
TR550	-653.01	-031.55	-031.54	-031.54	-031.54	-031.56	-031.54
L533	—	—	-850.21	-838.21	-850.51	838.51	-850.21
R533	—	—	1.5k/4W	820 OHM/2W	1.5k/4W	820/2W	1.5k/4W
C506	7n	7.8n	6.8n	8.3n	7.8n	8.5n	7.8n
L531	—	—	-115.95	-114.95	-114.95	-114.95	-114.95
R531	—	—	820	820	820	820	820
C526	0.42u/MKP4	0.42u/MKP4	0.28u/MKP4	0.33u/MKP4	0.33u/MKP4	0.33u/MKP4	0.33u/MKP4
R542	13k	13k	10k	10k	10k	10k	10k
R412	1.8	1.8	1.8	1.8	1.5	1.5	1.8
R554	7.5/1W	3.3/1W	4.7/1W	2.2/2W	5.1/1W	8.2/1W	2.2/2W
C422	47n/MKS 2	—	47n/MKS 2	47n/MKS 2	47n/MKS 2	47n/MKS 2	47n/MKS 2
TR601	29201-512.97	29201-514.97	29201-513.97	29201-513.97	29201-513.97	29201-519.97	29201-513.97
R609	8311-200-020	8311-200-020	8311-200-010	8311-200-020	8311-200-010	8311-200-010	8311-200-012
R183	—	—	390	360/2%	360/2%	360/2%	360/2%
R666	1	1	0.82	0.82	0.82	0.56	0.82
R653	1.1k	1.1k	1k	1k	1k	1.1k	1k
C601	0.22u	0.22u	0.15u	0.15u	0.15u	0.15u	0.15u
CR2813	0	0	270	270	270	270	270
C626	47u	47u	47u	100u	100u	150u	100u
D682	BY299	BY299	BY299	BY299	BY299	BYT56M	BYT56M
R681	15k	15k	15k	15k	15k	15k	15k
CR191	0	0	100k	100k	100k	100k	100k
CD191	—	—	LS4148	LS4148	LS4148	LS4148	LS4148
CR192	15k	15k	100k	100k	100k	100k	100k
CR856	110k	110k	100k	100k	100k	100k	100k
R503	1	1	0.51	0.51	0.51	0.51	0.51
C609	—	—	—	—	—	—	0.1u



SEHEN
XJS
JTO
OR DEBAJO

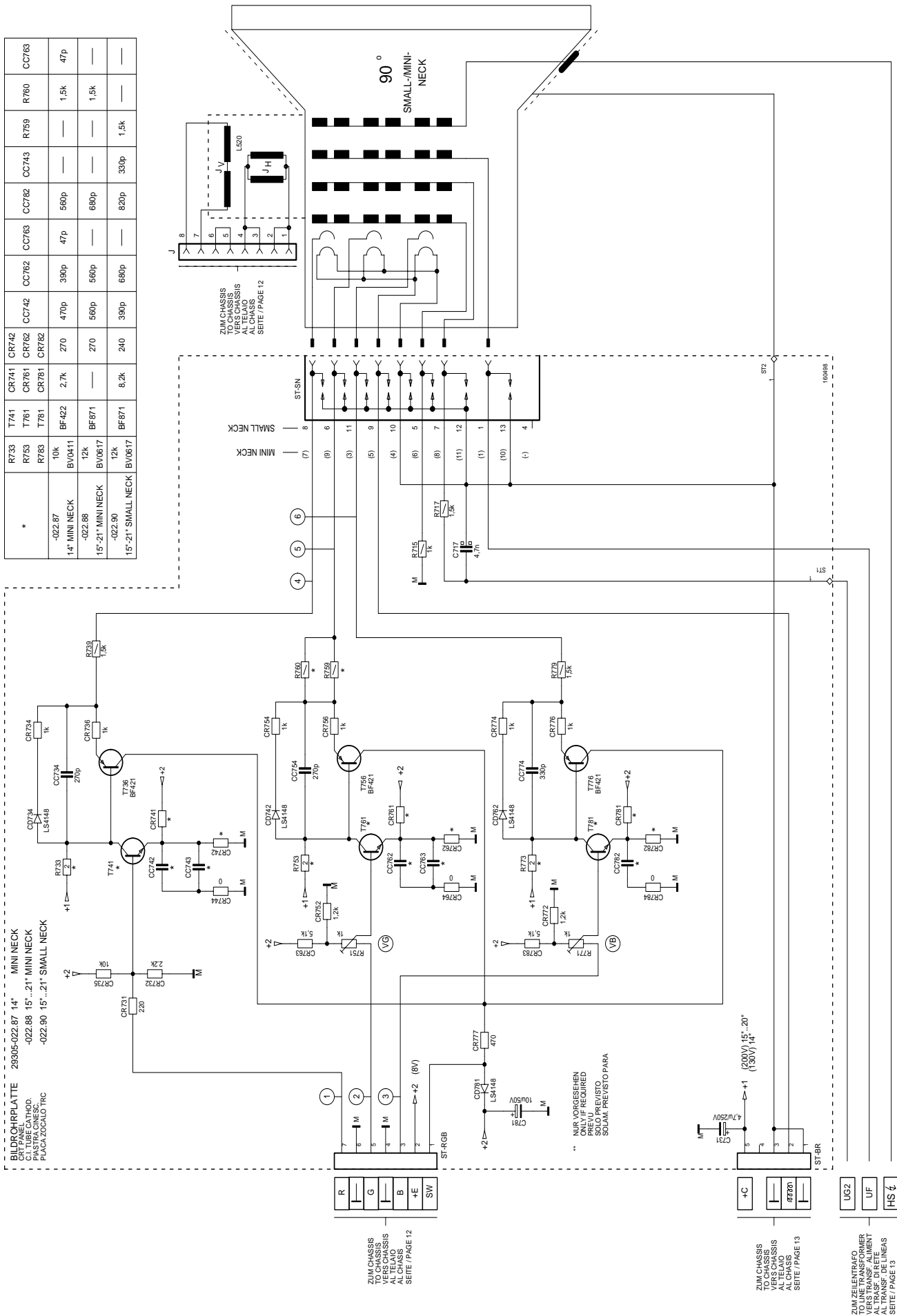
Die Hochspannung fuer die Bildroehre und die damit auftretende Röntgenstrahlung ist abhaengig von der exakten Einstellung der Netzelspannung +A.
Schutzschaltungen im Gerät duerfen nur kurzzeitig ausser Betrieb gesetzt werden, um Folgeschaden am Chassis oder an der Bildroehre zu vermeiden.

The high tension for the picture tube and thus the developing X-radiation depends on the precise adjustment of the +A power supply.
To avoid consequential damages to the chassis or the picture tube the integrated protective circuits are allowed to be put out of operation only for a short time.

ZUR BILDROHRPLATTE
TO CART BASE
VERS C.I. TUBE CATHOD
ALLA PIASTRA CINESC.
A LA PLACA-ZOCALO TRC
SEITE / PAGE 14

Bildrohrplatte / CRT Panel 29305-022.87 / .88

*	R733	T741	CR741	CR742	CC763	R760	CC763
	R753	T761	CR761	CR762	CC762	R759	CC762
	R783	T781	CR781	CR782	CC743	—	—
	10k	BF-422	2.7k	270	560p	1.5k	47p
14" MINI NECK	BV0411	—	—	270	680p	—	—
	12k	BF071	—	270	680p	—	—
15"-21" MINI NECK	BV0617	—	—	240	820p	1.5k	—
	12k	BF071	8.2k	390p	680p	—	—
15"-21" SMALL NECK	BV0617	—	—	390p	—	—	—



Ersatzteilliste Spare Parts List

4 / 98

GRUNDIG

TV

P 37-080 P 37-830/4 TEXT P 37-830 TEXT

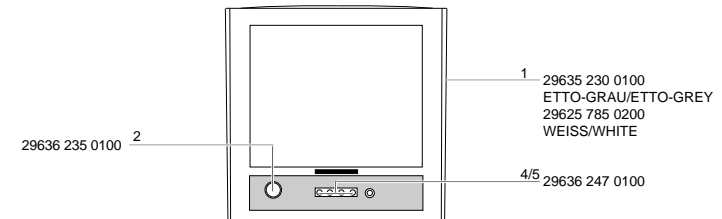
SACH-NR. / PART NO.: 92171 501 0200 BESTELL-NR. / ORDER NO.: G.CG 4502 ETTO-GRAU/ETTO-GREY
 SACH-NR. / PART NO.: 92171 402 0200 BESTELL-NR. / ORDER NO.: G.CF 9002 ETTO-GRAU/ETTO-GREY
 SACH-NR. / PART NO.: 92171 401 0200 BESTELL-NR. / ORDER NO.: G.CG 4102 ETTO-GRAU/ETTO-GREY
 SACH-NR. / PART NO.: 92171 401 8300 BESTELL-NR. / ORDER NO.: G.CG 4183 WEISS/WHITE

POS. NR. POS. NO.	ABB. FIG.	SACHNUMMER PART NUMBER	ANZ. QTY.	BEZEICHNUNG (D)	DESCRIPTION (GB)
0001.000		92171 501 0200 92171 402 0200 92171 401 0200 92171 401 8300 29635 230 0100		P 37-080 ETTO-GRAU P 37-830/4 TEXT ETTO-GRAU P 37-830 TEXT ETTO-GRAU P 37-830 TEXT WEISS GEH-VORDERTEIL DRUCK KPL. ETTO-GRAU GEH-VORDERTEIL DRUCK KPL. PASTELL-WEISS	P 37-080 ETTO-GREY P 37-830/4 TEXT ETTO-GREY P 37-830 TEXT ETTO-GREY P 37-830 TEXT WHITE CABINET FRONT PART ETTO-GREY CABINET FRONT PART PASTEL WHITE
0001.000		29625 785 0200		IR-FENSTER	IR WINDOW
0001.100		29636 291 0100		TASTE NETZ SILBER	KEY POWER SILVER
0002.000		29636 235 0100		DRUCKFEDER TASTE NETZ	PRESS SPRING KEY POWER
0003.000		29628 417 0100		TASTENSATZ ETTO-GRAU	KEY SET ETTO-GREY
0004.000		29636 247 0100		PROGRAMM/LAUTSTAERKE	PROGRAMME/VOLUME
0010.000		29636 239 8000		GEH-RUECKTEIL	CABINET REAR PART
0011.000		29618 546 6200		TYPENAUFKLEBER P 37-080	TYPE LABEL SELF-ADHESIVE P 37-080
0011.000		29618 625 6200		TYPENAUFKLEBER P 37-830/4 TEXT	TYPE LABEL SELF-ADHESIVE P 37-830/4 TEXT
WW.		29618 617 6200		TYPENAUFKLEBER P 37-830/4 TEXT	TYPE LABEL SELF-ADHESIVE P 37-830/4 TEXT
0011.000		29618 547 6200		TYPENAUFKLEBER P 37-830 TEXT	TYPE LABEL SELF-ADHESIVE P 37-830 TEXT
0012.000		29620 017 0100		ANTENNE TELESKOP EINSTAB	ANTENNA TELESCOPE
0014.000		19116 008 9700		LAUTSPRECHER	SPEAKER
		29656 002 6100		MONTAGEZUBEHOER F.BILDROHR KEIN E-TEIL	MOUNTING ACCESSORIES FOR CRT NO SPARE PART
0024.000	△	09246 184 7100		ENTMAGNETISIERUNGSSPULE	DEGAUSSING COIL
0025.000	△	83000 200 3700		BILDR.A 34 EAC 01X06 PHILIPS	PICT.TUBE A 34 EAC 01X06 PHILIPS
0025.001	△	83000 200 3900		BILDR.A34JLL90X23 ORION	PICT.TUBE A34JLL90X23 ORION
0030.000	△	82909 913 1600		NETZKABEL KPL.M.ENTSTOERDROSSEL	POWER CABLE CPL.W.INTERFERENCE CHOKE
0040.000	△	29642 062 1100		TELEPILOT TP 715	REMOTE CONTROL TP 715
	△	29305 022 8700	X	BILDROHRPLATTE	PICTURE TUBE BOARD
		21715 941 0100		BEDIENUNGSANLEITUNG	OPERATING INSTRUCTIONS
		21715 941 0200		BEDIENUNGSANLEITUNG P 37-830/4 TEXT	OPERATING INSTRUCTIONS P 37-830/4 TEXT
		72010 019 4000		SERVICE MANUAL	SERVICE MANUAL
		72010 019 4300		SERVICE MANUAL 3.ERGAENZUNG	SERVICE MANUAL 3RD SUPPLEMENT
		72010 019 4600		SERVICE MANUAL 6.ERGAENZUNG	SERVICE MANUAL 6TH SUPPLEMENT
		29704 004 0300	X	CHASSIS-FS-MONO ORION -BR P 37-080 CUC 7303 KEIN E-TEIL	CHASSIS TV MONO ORION-PT P 37-080 CUC 7303 NO SPARE PART
		29704 004 0700	X	CHASSIS-FS-MONO ORION -BR P 37-830/4 TEXT CUC 7303 KEIN E-TEIL	CHASSIS TV MONO ORION-PT P 37-830/4 TEXT CUC 7303 NO SPARE PART

POS. NR. POS. NO.	ABB. FIG.	SACHNUMMER PART NUMBER	ANZ. QTY.	BEZEICHNUNG (D)	DESCRIPTION (GB)
		29704 004 0100	X	CHASSIS-FS-MONO ORION -BR P 37-830 TEXT CUC 7303 KEIN E-TEIL	CHASSIS TV MONO ORION-PT P 37-830 TEXT CUC 7303 NO SPARE PART
		29704 004 0400	X	CHASSIS-FS-MONO PHILIPS-BR P 37-080 CUC 7303 KEIN E-TEIL	CHASSIS TV MONO PHILIPS-PT P 37-080 CUC 7303 NO SPARE PART
		29704 004 0800	X	CHASSIS-FS-MONO PHILIPS-BR P 37-830/4 TEXT CUC 7303 KEIN E-TEIL	CHASSIS TV MONO PHILIPS-PT P 37-830/4 TEXT CUC 7303 NO SPARE PART
		29704 004 0200	X	CHASSIS-FS-MONO PHILIPS-BR P 37-830 TEXT CUC 7303 KEIN E-TEIL	CHASSIS TV MONO PHILIPS-PT P 37-830 TEXT CUC 7303 NO SPARE PART

X = SIEHE GESONDERT E-LISTE
WW. = WAHLWEISE

X = SEE SEPARATE PARTS LIST
WW. = OPTIONAL



Btx *32700#

ÄNDERUNGEN VORBEHALTEN / SUBJECT TO ALTERATION

Es gelten die Vorschriften und Sicherheitshinweise gemäß dem Service Manual "Sicherheit", Sach-Nummer 72010 800 0000, sowie zusätzlich die eventuell abweichenden, landesspezifischen Vorschriften!



The regulations and safety instructions shall be valid as provided by the "Safety" Service Manual, part number 72010 800 0000, as well as the respective national deviations.

Btx *32700#

ÄNDERUNGEN VORBEHALTEN / SUBJECT TO ALTERATION

Ersatzteilliste
Spare Parts List

3 / 98

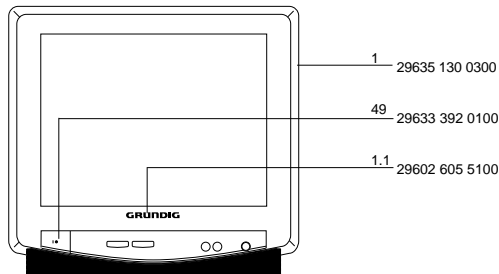
GRUNDIG

TV

P 45-830 TEXT

SACH-NR. / PART NO.: 92173 301 5200
BESTELL-NR. / ORDER NO.: G.CG 9252 MET.-DKL./MET.-DARK

POS. NR. POS. NO.	ABB. FIG.	SACHNUMMER PART NUMBER	ANZ. QTY.	BEZEICHNUNG (D)	DESCRIPTION (GB)
0001.000		92173 301 5200		P 45-830 TEXT MET.-DKL.	P 45-830 TEXT MET.-DARK
0001.100		29635 130 0300		GEH-VORDERTEIL KPL.	CABINET FRONT PART CPL
0001.300		29636 281 0100		EMBLEM GRUNDIG	GRUNDIG EMBLEM
0004.000		29633 118 0100		ABDECKUNG DRUCK KPL.	COVER PRINT CPL
0005.000		29700 391 0100		GRIF F KL.	HANDLE
0006.000		29634 364 0100		ACHSE FUER GRIF F	SPINDLE; SHAFT
0007.000		29633 118 0100		KLEMMSTUECK	CLAMPING PART
0008.000		19146 016 9700		LAUTSPRECHER	LOUDSPEAKER
0008.100		29631 834 0200		GEH-RUECKTEIL LACKIERT KPL.	REAR PANEL VARNISHED CPL.
0008.200		29628 594 8000		LAUTSPRECHERAUFNAHME LINKS	HOLDER LOUDSPEAKER LHS
0009.000		29628 595 8000		LAUTSPRECHERAUFNAHME RECHTS	HOLDER LOUDSPEAKER RHS
0011.000		29618 626 6200		TYPENAUFKLEBER	TYPE LABEL SELF-ADHESIVE
		29620 011 5100		TELESKOPANTENNE KPL.	TELESCOPIC ANTENNA CPL
		29656 002 7400		MONTAGEZUBEHOER F.BILDROHR KEIN E-TEIL	MOUNTING ACCESSORIES F.CRT NO SPARE PART
0024.000	△	09246 197 7100		ENTMAGNETISIERUNGSSPULE	DEGAUSSING COIL
0025.000	△	83000 202 0400		BILDR.A 41 EAM 40X01 PHI	PICT.TUBE A 41 EAM 40X01 PHI
0026.000	△	29201 360 0100		ANODENKAPPE M.HOCHSPANNUNGSKABEL	ANODE CAP W.HIGH VOLTAGE CABLE
0047.000		29501 615 0100		TASTENSATZ	KEY SET
0049.000		29633 392 0100		TASTENKNOPF NETZ	KEY BUTTON MAINS SUPPLY
0050.000	△	82909 912 2000		NETZKABEL M.FLACHSTECKER	MAINS LEAD W.FLAT PLUG +
0051.000		29642 062 1100		TELEPILOT TP 715	REMTTE CONTROL TP 715
		29305 022 8800	X	BILDROHRPLATTE	PICTURE TUBE BOARD
		21733 941 0100		BEDIENUNGSANLEITUNG	OPERATING INSTRUCTIONS
		72010 019 4000		SERVICE MANUAL D/GB	SERVICE MANUAL D/GB
		72010 019 4300		SERVICE MANUAL D/GB 3. ERGAENZUNG	SERVICE MANUAL D/GB 3RD SUPPLEMENT
		72010 019 4600		SERVICE MANUAL D/GB 6. ERGAENZUNG	SERVICE MANUAL D/GB 6TH SUPPLEMENT
		29704 004 1300	X	CHASSIS-FS-MONO CUC 7303 KEIN E-TEIL	CHASSIS-TV-MONO CUC 7303 NO SPARE PART
				X = SIEHE GESONDERTE E-LISTE	X = SEE SEPARATE PARTS LIST



Btx *32700#

ÄNDERUNGEN VORBEHALTEN / SUBJECT TO ALTERATION

GRUNDIG

TV

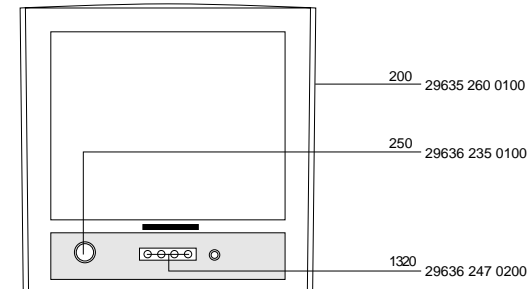
Ersatzteilliste
Spare Parts List

4 / 98

MIAMI SE 3780 TEXT

SACH-NR. / PART NO.: 92171 601 8200
BESTELL-NR. / ORDER NO.: G.CG 4782 TITAN

POS. NR. POS. NO.	ABB. FIG.	SACHNUMMER PART NUMBER	ANZ. QTY.	BEZEICHNUNG (D)	DESCRIPTION (GB)
0200.000		92171 601 8200		SE 3780 MIAMI 370 TEXT TITAN	SE 3780 MIAMI 370 TEXT TITAN
0250.000		29635 260 0100		GEH-VORDERTEIL DRUCK KPL TITAN	CABINET FRONT PART PRINT CPL TITAN
0251.000		29636 235 0100		TASTE NETZ SILBER	KEY POWER SILVER
0267.000		29628 417 0100		DRUCKFEDER	PRESS SPRING
0271.000		29632 082 0100		EMBLEM GRUNDIG	EMBLEM GRUNDIG
0273.000		29636 291 0100		IR-FENSTER	IR WINDOW
0300.000		19116 008 9700		LAUTSPRECHER	SPEAKER
0320.000		29636 239 0100		GEH-RUECKTEIL OFB	REAR PANEL SURFACE TREADED
0330.000		29618 614 6200		TYPENAUFKLEBER	TYPE LABEL SELF-ADHES.
0700.000		29620 017 0100		ANTENNE TELESKOP EINSTAB KPL	ANTENNA TELESCOPE
1100.000	△	09246 184 7100		ENTMAGNETISIERUNGSSPULE KPL	DEGAUSSING COIL
1200.000	△	83000 200 3700		BILDR.A 34 EAC 01X06 PHI	PICT.TUBE A 34 EAC 01X06 PHI
1320.000	△	29201 360 0100		ANODENKAPPE M.HOCHSPANNUNGSKABEL	ANODE CAP W.HIGH VOLTAGE CABLE
2100.000	△	29636 247 0200		TASTEN-SATZ SILBER	KEYS SET SILVER
		82909 912 2000		NETZKABEL M.FLACHSTECKER U.GERAET	MAINS LEAD W.FLAT PLUG + COUPLER
		29305 022 8700	X	BILDROHRPLATTE	PICTURE TUBE BOARD
		29642 062 1100		TELEPILOT TP 715	REMOOTE CONTROL TP 715
		21716 941 0100		BEDIENUNGSANLEITUNG	OPERATING INSTRUCTIONS
		72010 019 4000		SERVICE MANUAL D/GB	SERVICE MANUAL D/GB
		72010 019 4300		SERVICE MANUAL D/GB 3.ERGAENZUNG	SERVICE MANUAL D/GB 3RD SUPPLEMENT
		72010 019 4600		SERVICE MANUAL D/GB 6.ERGAENZUNG	SERVICE MANUAL D/GB 6TH SUPPLEMENT
		29656 002 6100		MONTAGEZUBEHOER F.BILDROHR KEIN E-TEIL	MOUNTING ACCESSORIES F.CRT NO SPARE PART
		29704 004 0200	X	CHASSIS-FS-MONO CUC 7303 INL KEIN E-TEIL	CHASSIS TV MONO CUC 7303 INL NO SPARE PART
				X = SIEHE GESONDERTE E-LISTE	X = SEE SEPARATE PARTS LIST



Es gelten die Vorschriften und Sicherheitshinweise gemäß dem Service Manual "Sicherheit", Sach-Nummer 72010 800 0000, sowie zusätzlich die eventuell abweichenden, landesspezifischen Vorschriften!



The regulations and safety instructions shall be valid as provided by the "Safety" Service Manual, part number 72010 800 0000, as well as the respective national deviations.

Btx *32700#

ÄNDERUNGEN VORBEHALTEN / SUBJECT TO ALTERATION

Ersatzteilliste Spare Parts List

4 / 98

CHASSIS-FS-MONO CUC 7303 INL (1/2/3/4/13) CHASSIS-FS-MONO CUC 7303 OIRT (7/8)

SACH-NR. / PART NO.: 29704 004 0100/0200/0300/0400/0700/0800/1300

POS. NR. POS. NO.	ABB. FIG.	SACHNUMMER PART NUMBER	ANZ. QTY.	BEZEICHNUNG (D)	DESCRIPTION (GB)
0001.000 WW.		81406 016 1400 81406 016 1000		TUNER UV1315/II TUNER UV1315/ (SPANNUNGSSYNTHESEZISER)	TUNER UV1315/II TUNER UV1315/ (VOLTAGE SYNTHESIZER)
0002.000		29303 119 0400		EURO-AV BUCHSENLEISTE 21-P SCHWARZ	EURO-AV SOCKET STRIP 21 P BLACK
0003.000		29303 390 4300		KOPFHÖRERBUCHSE 3,5 M.SCHALTER	HEADPHONE SOCKET 3,5 WITH SWITCH
0004.000	△	29303 399 5100		NETZ EINBAUGERÄTESTECKER M. LTG	APPLIANCE COUPLER W.CABLE
0005.000	△	29703 291 2100		NETZSCHALTER	POWER SWITCH
WW.	△	29703 291 3100		NETZSCHALTER	POWER SWITCH
0006.000	△	09621 113 0200	2	SICHERUNGSHALTER SI 600	FUSE HOLDER SI 600
0007.000	△	29201 650 0100		ANODENKAPPE M.HOCHSPANNUNGSKABEL 1/3/7	ANODE CAP W.HIGH VOLTAGE CABLE 1/3/7
0007.000	△	29201 360 0100		ANODENKAPPE M.HOCHSPANNUNGSKABEL 2/4/8	ANODE CAP W.HIGH VOLTAGE CABLE 2/4/8
0008.000	△	29210 703 0100		FOKUSLEITUNG 2/4/8/13	FOCUSING CABLE 2/4/8/13
0009.000		29703 357 1100		TASTSCHALTER PROGRAMM +	KEY SWITCH PROGRAMME +
0010.000		29703 357 1100		TASTSCHALTER PROGRAMM -	KEY SWITCH PROGRAMME -
0011.000		29703 357 1100		TASTSCHALTER LAUTSTÄRKE +	KEY SWITCH VOLUME +
0012.000		29703 357 1100		TASTSCHALTER LAUTSTÄRKE -	KEY SWITCH VOLUME -
0015.000		29303 153 0200		MONTAGECLIP T506	MOUNTING CLIP T506
0016.000		29303 153 0300		MONTAGECLIP IC400	MOUNTING CLIP IC400
0017.000		29303 153 1600	3	MONTAGECLIP T665/IC676/690	MOUNTING CLIP T665/IC676/690
0018.000		29303 156 0300		GLIMMERSCHEIBE T506	MICA WASHER T506
0019.000		29303 156 2000		FOLIE WAERMELEITEND IC676	FOIL HEAT CONDUCTING IC676

WW. = WAHLWEISE

WW. = OPTIONAL

POS. NR. POS. NO.	SACHNUMMER PART NUMBER	BEZEICHNUNG DESCRIPTION	POS. NR. POS. NO.	SACHNUMMER PART NUMBER	BEZEICHNUNG DESCRIPTION
C 412	84529 961 8700	ELKO 1000UF 20% 35V	CD 191	83250 041 4800	SMD DIODE LS 4148 13
C 446	84529 961 8700	ELKO 1000UF 20% 35V	CD 192	83250 041 4800	SMD DIODE LS 4148
C 506	85159 110 9800	FOKO FKP1/4 7000PF3,5% 1600V 1/3/7	CD 194	83094 550 5600	MELF-Z DIODE 5,6 C 0,5 W 13
C 506	85159 116 7800	FOKO FKP1/4 7800PF3,5% 1600V 2/4/8	CD 501	83250 041 4800	SMD DIODE LS 4148
C 506	85159 110 7000	FOKO FKP1/4 6800PF3,5% 1600V 1/3/7	CD 516	83250 041 4800	SMD DIODE LS 4148
C 601	△ 85117 930 3300	FOKO MP3 0,22UF 20% 250VW 1/2/3/4/7/8	CD 651	83094 551 8100	MELF-Z DIODE 18 B 0,5W
C 601	△ 85999 900 2500	FOKO MP3 0,15UF 20% 250VW 13	CD 654	83250 041 4800	SMD DIODE LS 4148
C 603	△ 86600 982 3400	SI-KERKO B-SS 1000PF 20%400V 13	CD 656	83250 041 4800	SMD DIODE LS 4148
C 604	△ 86600 982 3400	SI-KERKO B-SS 1000PF 20%400V 13	CD 673	83250 041 4800	SMD DIODE LS 4148
C 621	86500 905 1000	HV-KERKO 1000PF 20% 1KV	CD 830	83250 041 4800	SMD DIODE LS 4148
C 622	86500 905 1000	HV-KERKO 1000PF 20% 1KV	CD 901	83094 015 9200	SMD DIODE BA592 SIE 7/8
C 623	86500 905 1000	HV-KERKO 1000PF 20% 1KV	CD 902	83094 015 9200	SMD DIODE BA592 SIE 7/8
C 624	86500 905 1000	HV-KERKO 1000PF 20% 1KV	CD 926	83094 015 9200	SMD DIODE BA592 SIE 7/8
C 627	△ 86600 982 3800	SI-KERKO B-SS 2200PF 20% 400V	CD 927	83094 015 9200	SMD DIODE BA592 SIE 7/8
C 669	85159 110 6000	FOKO KF #7 1000PF 10% 1600V	CD 928	83094 015 9200	SMD DIODE BA592 SIE 7/8
C 671	86500 811 1100	HV-KERKO 270PF 20% 2KV	CD 929	83094 015 9200	SMD DIODE BA592 SIE 7/8
C 681	86500 670 4600	HV-KERKO 100PF 20% 1KV	CD 954	83250 041 4800	SMD DIODE LS 4148
C 819	81405 401 0400	EMIFIL 0,1 UF	CD 2827	83250 041 4800	SMD DIODE LS 4148
CD 181	83250 041 4800	SMD DIODE LS 4148	CD 2829	83250 041 4800	SMD DIODE LS 4148
			CIC 105	83058 446 6200	SMD IC TDA4662/V2 PHI/ 1/2/3/4/13
			CIC 105	83058 446 6500	SMD IC TDA4665/V3 PHI/ 7/8
			CT 101	83010 048 4800	SMD-TRANS.BC 848 B
			CT 106	83010 038 5800	SMD-TRANS.BC 858 B

Btx *32700#

ÄNDERUNGEN VORBEHALTEN / SUBJECT TO ALTERATION

GRUNDIG

TV

POS. NR. POS. NO.	SACHNUMMER PART NUMBER	BEZEICHNUNG DESCRIPTION	POS. NR. POS. NO.	SACHNUMMER PART NUMBER	BEZEICHNUNG DESCRIPTION
CT 110	83010 038 5800	SMD-TRANS.BC 858 B	IC 630	83052 678 4200	IC UC3842N/AN SGS/MOT
CT 115	83010 048 4800	SMD-TRANS.BC 848 B	IC 676	83052 043 1700	IC LM317T NSC/MOT/SGS
CT 169	83010 038 5800	SMD-TRANS.BC 858 B	IC 690	83052 057 0600	IC MC7805CT M.I.SOLIERNIPPPEL
CT 181	83010 068 5700	SMD-TRANS.BC 857 C	IC 810	83053 675 3000	IC TFMS5300 STEHEND/ TSOP
CT 186	83010 048 4800	SMD-TRANS.BC 848 B	IC 820	83052 100 6400	IC MC33164P-5RP
CT 191	83010 068 5700	SMD-TRANS.BC 857 C	IC 830	83056 024 0100	IC X24C02P XICOR
CT 193	83010 068 5700	SMD-TRANS.BC 857 C	IC 850	83051 550 9100	IC SDA5252A101 1/2/13
CT 325	83010 048 4800	SMD-TRANS.BC 848 B	IC 850	83051 550 8100	IC SDA522A101 3/4
CT 411	83010 038 5800	SMD-TRANS.BC 858 B	IC 850	83051 551 0100	IC SDA525A201 7/8
CT 826	83010 048 4800	SMD-TRANS.BC 848 B	L 108	81405 269 1500	DR N-GR 100UH 7/8
CT 840	83010 048 4800	SMD-TRANS.BC 848 B	L 303	81405 269 6400	DR S 10UH 5% RM5
CT 881	83010 038 5800	SMD-TRANS.BC 858 B	L 381	81049 820 1400	DAEMPFUNGSPERLE 4330 030 DAMPING BEAD 13
CT 901	83010 048 4800	SMD-TRANS.BC 848 B	L 506	81049 820 5600	FERRITPERLE HF70 BTL 3,5X FERRITE BEAD
CT 915	83010 048 4800	SMD-TRANS.BC 848 B	L 526	81405 263 6100	DR 0411 10UH 5% 13
CT 916	83010 048 4800	SMD-TRANS.BC 848 B	L 531	29203 115 9500	LINEARITAETSREGLER (90) 13 LINEARITY CONTROL
CT 917	83010 048 4800	SMD-TRANS.BC 848 B	L 533	09246 838 5100	ZB-SPULE /COIL 13
CT 921	83010 048 4800	SMD-TRANS.BC 848 B	WW.	09246 850 5100	ZB-SPULE (90) COLOR 13
CT 937	83010 048 4800	SMD-TRANS.BC 848 B	L 543	81405 260 3200	DR AX 0411-GA 220UH 13
CT 962	83010 038 5800	SMD-TRANS.BC 858 B	L 601	△ 29500 823 9600	FUNKENTSTOERDROSSEL 1/2/3/4/7/8
CT 963	83010 048 4800	SMD-TRANS.BC 848 B	L 601	△ 29500 826 9700	FUNKENTSTOERDROSSEL 13 INTERFERENCE SUPPR. COIL
CT 2821	83010 038 5800	SMD-TRANS.BC 858 B	L 819	81049 820 5100	FERRITPERLE HF55 BTL 3,5X FERRITE BEAD
CT 2825	83010 038 5800	SMD-TRANS.BC 858 B	L 912	81405 269 4400	DR N-GR 4,7MH
CT 2835	83010 038 5800	SMD-TRANS.BC 858 B	L 2836	81405 229 2200	DR ST 0411 6,8UH 2% SIE
CT 2845	83010 038 5800	SMD-TRANS.BC 858 B	L 3381	81049 820 1400	DAEMPFUNGSPERLE 4330 030 DAMPING BEAD
CT 2850	83015 342 6900	SMD TRANS PMBT2369	Q 172	83821 360 0400	QUARZ #136 2A 4,433619MHZ 20PF
D 323	83097 200 9200	Z DIODE 9,1 B 0,5W	Q 857	86023 311 5500	KERRER #155 18MHZ
D 324	83092 150 4500	DIODE 1N4148	R 166	87902 500 5100	ESTR PPK10A 10 KOHM LIN 13
D 401	83092 101 3800	DIODE 1N4936/1SR124-400	R 303	△ 87011 190 0100	KSW SI B 1 OHM 5%
D 405	83092 000 2100	DIODE BAV21 ITT/ TFK	R 337	△ 87011 210 2300	KSW SI B 8,2 OHM 5%
D 444	83092 101 3800	DIODE 1N4936/1SR124-400	R 408	87961 031 4000	ESTR P6A 2,2 KOHM LIN N6 13
D 512	83097 202 2100	Z DIODE 22 B 0,5W	R 411	87920 013 0900	ESTR P6/A 100 OHM LIN
D 513	83092 000 2100	DIODE BAV21 ITT/ TFK	R 412	△ 87004 290 0700	KSW NB 0207 1,8 OHM 5%
D 514	83097 201 1200	Z DIODE 12 C 0,5W	R 413	87961 031 5100	ESTR P6A 10 KOHM LIN N6 13
D 524	83092 010 0500	DIODE BA157	R 416	△ 87003 290 0100	KSW NB 0207 1 OHM 5%
D 543	83092 042 6800	DIODE BYV16 TEMIC/ BYV96	R 501	△ 87011 210 3300	KSW SI B 22 OHM 5% 1/2
D 622	83092 151 2700	DIODE 1 N 4007 -GA	R 502	△ 87053 290 7000	MOW 0411 150 OHM 10% 1/2/13
D 623	83092 151 2700	DIODE 1 N 4007 -GA	R 503	87052 269 9100	MOW 0411 0,51 OHM 10% 13
D 624	83092 151 2700	DIODE 1 N 4007 -GA	R 504	△ 87011 210 3300	KSW SI B 22 OHM 5%
D 661	83095 167 5400	DIODE BYT53B TFK/ EGP10B	R 512	△ 87001 212 8700	KSW 0207 3,9 KOHM 5% 1/3/7
D 662	83092 010 0500	DIODE BA157	R 512	△ 87001 212 7700	KSW 0207 1,5 KOHM 5% 2/4/8
D 663	83097 200 3600	Z DIODE 3,6 C 0,5W	R 513	△ 87003 290 8300	KSW NB 0207 2,7 KOHM 5%
D 664	83092 150 2000	DIODE 1 N 4004 -GA	R 522	87103 381 4500	MGW AX 1 MOHM 5% VR 37
D 666	83092 150 2000	DIODE 1 N 4004 -GA	R 524	△ 87008 290 2500	KSW NB 0207 10 OHM 5% 13
D 667	83092 010 0500	DIODE BA157	R 526	△ 87053 292 2100	MOW 0411 6,8 OHM 10% 13
D 668	△ 83095 167 5200	DIODE BYT53G TEMIC	R 532	87301 792 2500	DRW 7 10 OHM 10%
D 671	83092 040 5000	DIODE BY297 FAGOR/ BYW33	R 533	△ 87052 790 7700	MOW 0922 1,5 KOHM 5% DRA 13
D 682	83092 040 6000	DIODE BY299 FAGOR/ BYV37	R 542	87000 075 0000	KSW 0207 13 KOHM 5% 1/2/3/4/7/8
D 683	83053 060 0100	IC ZTK33B DPD ITT	R 543	△ 87053 290 2500	MOW 0411 10 OHM 5% DRA
D 826	83092 000 2100	DIODE BAV21 ITT/ TFK	R 554	△ 87053 210 2200	MOW 0411 7,5 OHM 5% SXS 1/3/7
D 1806	83099 446 0100	LE DIODE TLHR 4601 TFK 1/2/3/4/7/8	R 554	△ 87053 210 1300	MOW 0411 3,3 OHM 5% SXS 2/4/8
D 1806	83099 661 0000	LE DIODE TLDR 4100 13	R 554	△ 87053 290 1700	MOW 0411 4,7 OHM 5% DRA 13
F 130	81411 116 0300	FILTER 7X7 603 FARBE 657	R 609	△ 83112 000 2000	PTC RM5 B59.250C1080 SIE 1/2/3/4/7/8
F 901	81405 336 0500	SPULE 7X7 605	R 609	△ 83112 000 1000	PTC #1 DUO 13
F 906	83190 019 5600	OFW G 1962 SIE/SCF 114 1/2/3/4/13			
F 923	81411 124 0500	FILTER 7X7 405			
F 924	86027 550 2100	CER.TRAP 21 TPS 5,5 MHZ			
F 926	19203 065 9700	KERAMIK-FILTER 40 5,5 MHZ 1/2			
F 927	19203 013 9700	KERAMIK-FILTER 65 6,5 MHZ 7/8			
IC 110	83053 383 9500	IC TDA8395P/N2 7/8			
IC 150	83053 383 6100	IC TDA8361A 1/2/3/4/13			
IC 320	83053 372 3300	IC TDA7233 SGS			
IC 400	83053 436 5300	IC TDA3653B			

Btx *32700#

ÄNDERUNGEN VORBEHALTEN / SUBJECT TO ALTERATION

POS. NR. POS. NO.	SACHNUMMER PART NUMBER	BEZEICHNUNG DESCRIPTION
R 621	83110 050 1700	NTC 4,7 OHM 30% S237/S234 13
R 627	△ 87650 491 6100	MSW 0414 4,7 MOHM VDE
R 633	△ 87053 603 5300	MOW 0617 56 KOHM 10%
R 653	87000 056 7400	KSW 0207 1,1 KOHM 5% 1/2/3/4/7/8
R 654	87900 500 2500	ESTR.SK10-A 470 OHM LIN
R 664	△ 87053 690 4300	MOW 0617 56 OHM 5%
R 666	87000 073 9900	KSW 0207 0,82 OHM 5% 13
R 667	87000 073 9900	KSW 0207 0,82 OHM 5% 13
R 669	△ 87052 790 6500	MOW 0922 470 OHM 5% DRA
R 681	△ 87053 693 0100	MOW 0617 15 KOHM 10% 1/3/7/13
R 681	△ 87053 690 9900	MOW 0617 12 KOHM 2/4/8
R 685	△ 87003 290 2900	KSW NB 0207 15 OHM 5%
SI 600	△ 83156 170 0600	SI 5X20 T2,5A L 250V
T 501	83032 856 3700	TRANS.BC 637
T 506	83029 000 2000	TRANS S2055N TOS/ BU508D
WW.	83022 605 0900	TRANS BU508D/ ON4152 PHI
T 511	83022 015 4900	TRANS BC549B
T 523	83022 015 4900	TRANS BC549B
T 665	83024 221 8400	TRANS MJF18004C MOT/ BUL
T 686	83032 733 3700	TRANS.BC 337-25
TR 501	09246 865 0400	TRAFO TREIBER DRIVER TRANSFORMER
TR 550	△ 29221 031 5500	TRAFO DIODENSPLIT KPL. 2/4/8
TR 550	△ 29201 653 0100	TRAFO DIODENSPLIT 1/3/7
TR 550	△ 29221 031 5400	TRAFO DIODENSPLIT KPL. 13
TR 601	△ 29201 512 9700	DIODE SPLIT TRANSFORMER TRAFO SPERRWANDLER 1/3/7
TR 601	△ 29201 514 9700	TRAFO SPERRWANDLER KPL. 2/4/8
TR 601	△ 29201 513 9700	TRAFO SPERRWANDLER KPL. 13 B.O.-TYPE CONVERTER CPL.

POS. NR. POS. NO.	SACHNUMMER PART NUMBER	BEZEICHNUNG DESCRIPTION
----------------------	---------------------------	----------------------------

Ersatzteilliste Spare Parts List

GRUNDIG

TV

2 / 98

BILDROHRPLATTE PICTURE TUBE BOARD

SACH-NR. / PART NO.: 29305-022.87

POS. NR. POS. NO.	ABB. FIG.	SACHNUMMER PART NUMBER	ANZ. QTY.	BEZEICHNUNG DESCRIPTION
0001.000	△	29303-751.13		BILDROHRFASSUNG PICTURE TUBE SOCKET

POS. NR. POS. NO.	SACHNUMMER PART NUMBER	BEZEICHNUNG DESCRIPTION	POS. NR. POS. NO.	SACHNUMMER PART NUMBER	BEZEICHNUNG DESCRIPTION
C 717	8531-593-800	FOKO MKT10 4700PF 20% 1000V			
CD 734	8325-004-148	SMD DIODE LS 4148			
CD 742	8325-004-148	SMD DIODE LS 4148			
CD 762	8325-004-148	SMD DIODE LS 4148			
CD 781	8325-004-148	SMD DIODE LS 4148			
R 733	8705-329-097	MOW 0411 10 KOHM 5%			
R 753	8705-329-097	MOW 0411 10 KOHM 5%			
R 773	8705-329-097	MOW 0411 10 KOHM 5%			
T 736	8303-401-421	TRANS.BF 421 E6323SIE/PHI			
T 741	8303-401-422	TRANS.BF 422 WW.BF 422 S			
T 756	8303-401-421	TRANS.BF 421 E6323SIE/PHI			
T 761	8303-401-422	TRANS.BF 422 WW.BF 422 S			
T 776	8303-401-421	TRANS.BF 421 E6323SIE/PHI			
T 781	8303-401-422	TRANS.BF 422 WW.BF 422 S			

Es gelten die Vorschriften und Sicherheitshinweise gemäß dem Service Manual "Sicherheit", Sach-Nummer 72010 800 0000, sowie zusätzlich die eventuell abweichenden, landesspezifischen Vorschriften!



The regulations and safety instructions shall be valid as provided by the "Safety" Service Manual, part number 72010 800 0000, as well as the respective national deviations.

Btx *32700#

ÄNDERUNGEN VORBEHALTEN / SUBJECT TO ALTERATION

Es gelten die Vorschriften und Sicherheitshinweise gemäß dem Service Manual "Sicherheit", Sach-Nummer 72010-800.00, sowie zusätzlich die eventuell abweichenden, landesspezifischen Vorschriften!



The regulations and safety instructions shall be valid as provided by the "Safety" Service Manual, part number 72010-800.00, as well as the respective national deviations.

Btx *32700#

ÄNDERUNGEN VORBEHALTEN / SUBJECT TO ALTERATION

Ersatzteilliste Spare Parts List

5 / 98

BILDROHRPLATTE PICTURE TUBE BOARD

SACH-NR. / PART NO.: 29305 022 8800

POS. NR. POS. NO.	ABB. FIG.	SACHNUMMER PART NUMBER	ANZ. QTY.	BEZEICHNUNG DESCRIPTION
0800.000	△	29305 022 8800 BILDROHRPLATTE 29303 751 1300 BILDROHRFASSUNG		PCP PICTURE TUBE PICTURE TUBE SOCKET

POS. NR. POS. NO.	SACHNUMMER PART NUMBER	BEZEICHNUNG DESCRIPTION	POS. NR. POS. NO.	SACHNUMMER PART NUMBER	BEZEICHNUNG DESCRIPTION
C 717	85315 938 0000	FOKO MKT10 4700PF 20			
CD 734	83250 041 4800	SMD DIODE LS 4148			
CD 742	83250 041 4800	SMD DIODE LS 4148			
CD 762	83250 041 4800	SMD DIODE LS 4148			
CD 781	83250 041 4800	SMD DIODE LS 4148			
R 733	87053 690 9900	MOW 0617 12 KOHM 5%			
R 751	87900 500 3500	ESTR.SK10-A 1 KOHM L			
R 753	87053 690 9900	MOW 0617 12 KOHM 5%			
R 771	87900 500 3500	ESTR.SK10-A 1 KOHM L			
R 773	87053 690 9900	MOW 0617 12 KOHM 5%			
T 736	83034 014 2100	TRANS.BF 421 E6323SI			
T 741	83022 208 7100	TRANS.BF 871 SG TFK/			
T 756	83034 014 2100	TRANS.BF 421 E6323SI			
T 761	83022 208 7100	TRANS.BF 871 SG TFK/			
T 776	83034 014 2100	TRANS.BF 421 E6323SI			
T 781	83022 208 7100	TRANS.BF 871 SG TFK/			

Es gelten die Vorschriften und Sicherheitshinweise gemäß dem Service Manual "Sicherheit", Sach-Nummer 72010 800 0000, sowie zusätzlich die eventuell abweichenden, landesspezifischen Vorschriften!



The regulations and safety instructions shall be valid as provided by the "Safety" Service Manual, part number 72010 800 0000, as well as the respective national deviations.

Btx *32700#

ÄNDERUNGEN VORBEHALTEN / SUBJECT TO ALTERATION