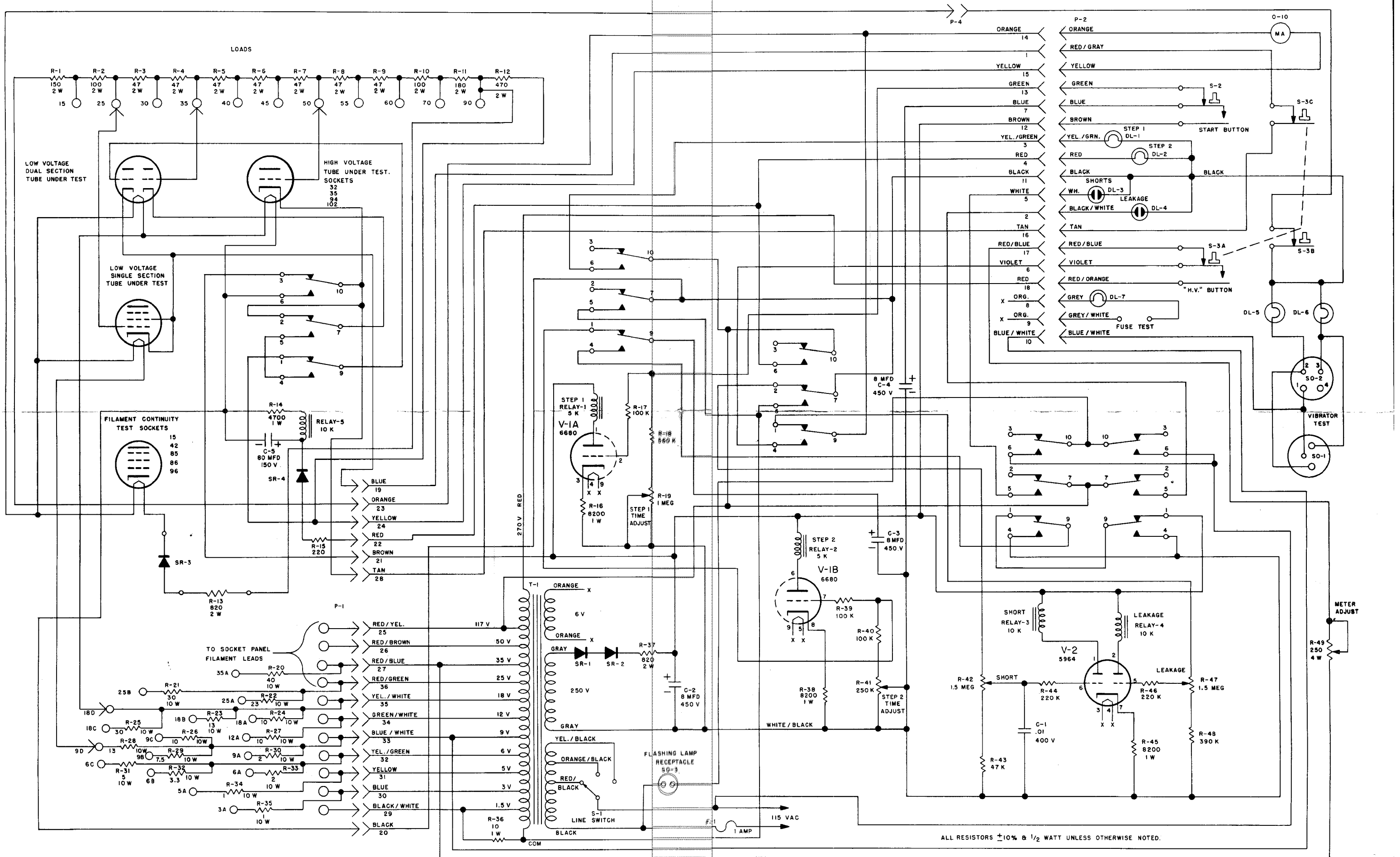


No. 36-800
TUBETESTER
SCHEMATIC



ALL RESISTORS ±10% & 1/2 WATT UNLESS OTHERWISE NOTED.