



FACSIMILE EQUIPMENT

PARTS REFERENCE LIST

MODEL: FAX1010 / 1020 / 1030

**(For Germany / United Kingdom / France /
Australia / Norway / Belgium / Netherlands /
Switzerland / Ireland / Finland / Denmark /
Austria / Spain / Italy / Israel / Portugal /
South Africa / Sweden / New Zealand)**

MFC1970MC

(For Australia / New Zealand)

© Copyright Brother 1997

All rights reserved

No part of this publication may be reproduced in any form or by any means without permission in writing from the publisher.

Specifications are subject to change without prior notice.

NOTES FOR USING THIS PARTS REFERENCE LIST

1. In the case of ordering parts, it needs mentioning the following items:

- (1) Code
- (2) Q' ty
- (3) Description

Note: No orders without Parts Code or Tool No. can be accepted.

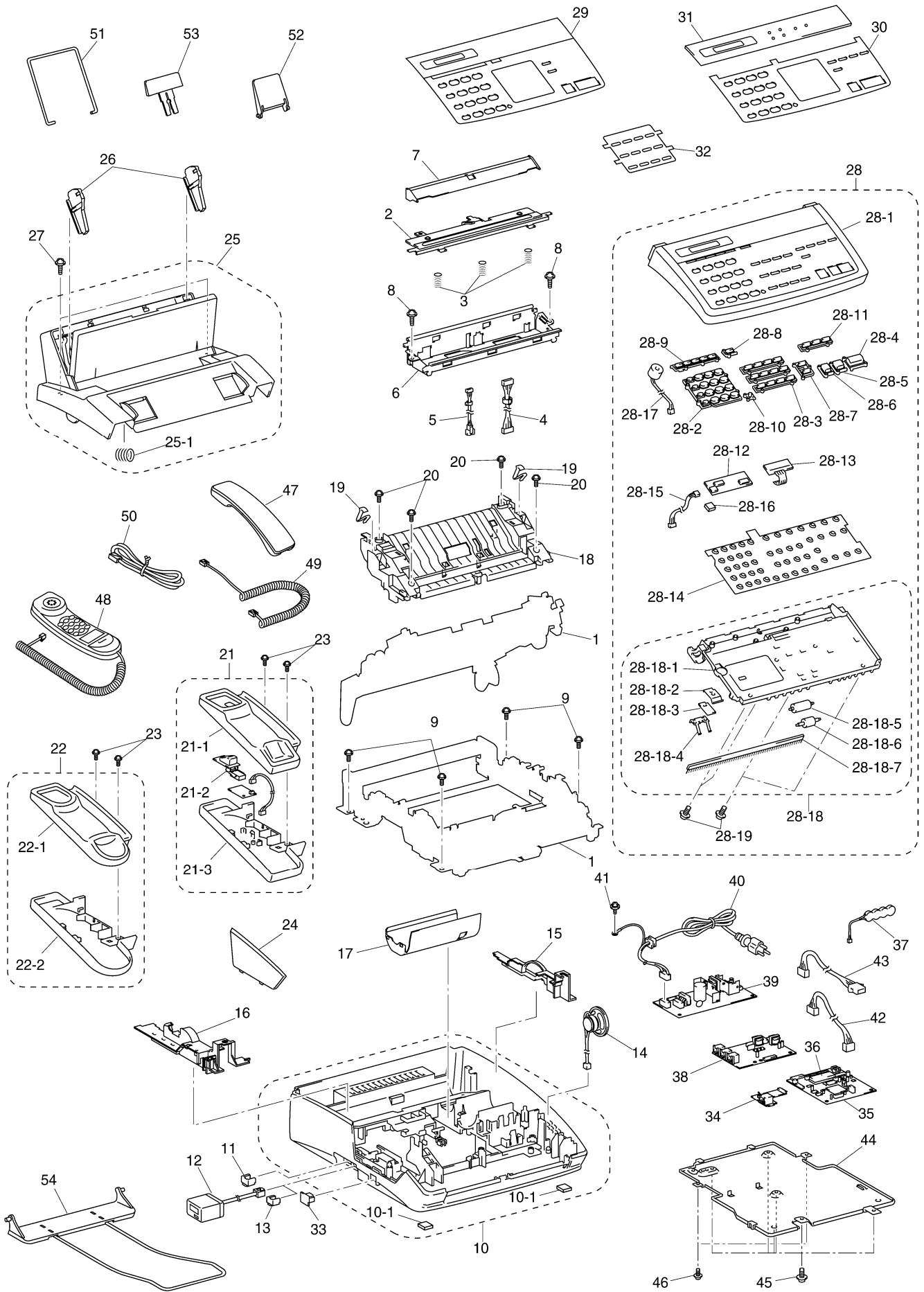
[Example]

REF.NO.	CODE	Q' TY	DESCRIPTION	REMARKS

2. Parts change will be informed by the technical information.

COUNTRIES

GERMANY ----- GER
UNITED KINGDOM ----- UK
FRANCE ----- FRA
ARL ----- AUSTRALIA
NORWAY ----- NOR
NETHERLANDS ----- NLD
SWITZERLAND ----- CHE
IRELAND ----- IRL
FINLAND ----- FIN
DENMARK ----- DEN
AUSTRIA ----- AUS
SPAIN ----- SPA
ITALY ----- ITA
ISRAEL ----- ISR
PORTUGAL ----- POR
SOUTH AFRICA ----- ZAF
SWEDEN ----- SWE
NEW ZEALAND ----- NZ



REF.NO.	CODE	QTY	DESCRIPTION	REMARKS
1			PLATEN FRAME & MAIN FRAME ATTACHMENT	
2	UF8070001	1	RECORDING HEAD ASSY	
3	UF8072001	3	SPRING, COMPRESSION	
4	UG5009001	1	HEAD-MAIN HARNESS	
5	UG5010001	1	HEAD-POWER HARNESS	
6	UF8018001	1	RECORDER FRAME	
7	UF8073001	1	HEAD PROTECTION PLATE	
8	U24014001	2	TAPTITE, CUP S M3.0X6	
10	UF8140003	1	MAIN COVER, WHITE(1138)	
10-1	UF6761001	2	RUBBER	
11	UF5745000	1	MJ COVER, EXT, FAX1020/1030 FOR GER/FRA/BEL/NLD/FIN/DEN/AUS/ITA/SWE, FAX1030 FOR UK	
12	UG3468000	1	BT-MJ ADAPTER FOR NZ	
12	LG3509004	4	TELEPHONE PLUG FOR ARL	<Eliminated>
13	UF7095000	1	MJ COVER, H/S, FAX1010 FOR CHE/GER, FAX1020/1030 FOR UK	
14	LG2049001	1	SPEAKER ASSY FOR FAX1010/1020	
14	LG2194001	1	SPEAKER ASSY FOR FAX1030, MFC1970MC	
15	UF8150002	1	SIDE COVER R, WHITE(1397)	
16	UF8147002	1	SIDE COVER L, WHITE(1397)	
17	UF8151003	1	ROM COVER, WHITE(1138) FOR GER/UK/CHE/IRE/DEN/SPA/ITA, FAX1020 FOR NOR/SWE, FAX1030 FOR AUS	
47	UF8151002	4	ROM COVER, WHITE(1397) FOR MFC1970MC	
17	UF8151004	1	ROM COVER, GRAY(1267) FOR FRA/ARL/BEL/NLD/FIN/ISR/POR/ZAF/NZ, FAX1020 FOR AUS, FAX1030 FOR NOR/SWE	
18	UF8143003	1	INNER COVER, WHITE(1138)	
19	UF5571001	2	PANEL LOCK SPRING	
20	087320815	4	TAPTITE, CUP S M3X8	
21	UF8164003	1	HANDSET HOLDER ASSY, WHITE(1138), FAX1030, FAX1020 FOR ARL/AUS/BEL/CHE/DEN/FIN/FRA/GER/IRL/ISR/ITA/NLD/NOR/NZ/POR/SPA/SWE/ZAF	
21-1	UF8165003	1	UPPER HANDSET HOLDER, WHITE(1138) FAX1030, FAX1020 FOR ARL/AUS/BEL/CHE/DEN/FIN/FRA/GER/IRL/ISR/ITA/NLD/NOR/NZ/POR/SPA/SWE/ZAF	
21-2	UF8167003	1	ACTUATOR HOOK, WHITE(1138) FAX1030, FAX1020 FOR ARL/AUS/BEL/CHE/DEN/FIN/FRA/GER/IRL/ISR/ITA/NLD/NOR/NZ/POR/SPA/SWE/ZAF	
21-3	UF8166003	1	LOWER HANDSET HOLDER, WHITE(1138) FAX1030, FAX1020 FOR ARL/AUS/BEL/CHE/DEN/FIN/FRA/GER/IRL/ISR/ITA/NLD/NOR/NZ/POR/SPA/SWE/ZAF	
22	UF8251001	1	B/T HANDSET HOLDER ASSY, FAX1020 FOR UK	
22-1	UF8252001	1	B/T UPPER HANDSET HOLDER FOR FAX1020 FOR UK	
22-2	UF8253001	1	B/T LOWER HANDSET HOLDER FOR FAX1020 FOR UK	
23	087310815	2	TAPTITE, CUP B M3X8	
24	UF8256003	1	W/O HANDSET COVER, FAX1010	
25	UF8153003	1	RECORDING PAPER COVER ASSY, WHITE(1138)	
25-1	UF4418001	1	SPRING, COMPRESSION	
(25-2)	UF8155003	1	PAPER REAR COVER, WHITE(1138)	
26	UF8162003	2	PAPER GUIDE	
27	087320815	2	TAPTITE, CUP S M3X8	
28	UF8168003	1	CONTROL PANEL ASSY, WHITE(1138) FOR FAX1010/1020	
28	UF8238004	1	CONTROL PANEL ASSY, WHITE(1138) FOR FAX1030, MFC1970MC	
28-1	UF8171003	1	CONTROL PANEL COVER, WHITE(1138) FOR FAX1010/1020	
28-1	UF8193003	1	CONTROL PANEL COVER, WHITE(1138) FOR FAX1030, MFC1970MC	
28-2	UF4393003	1	KEY, TEL, WHITE(1138)	

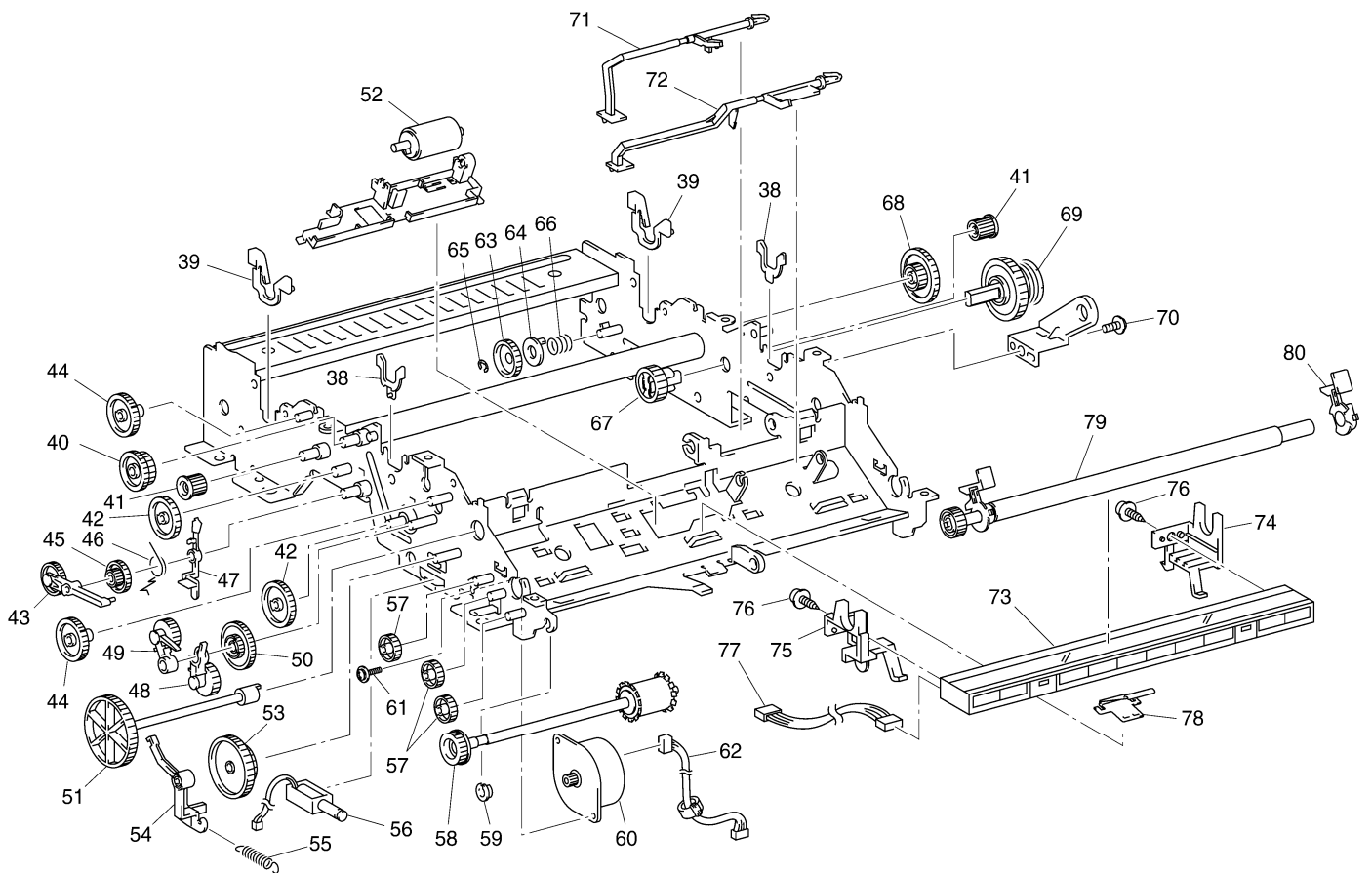
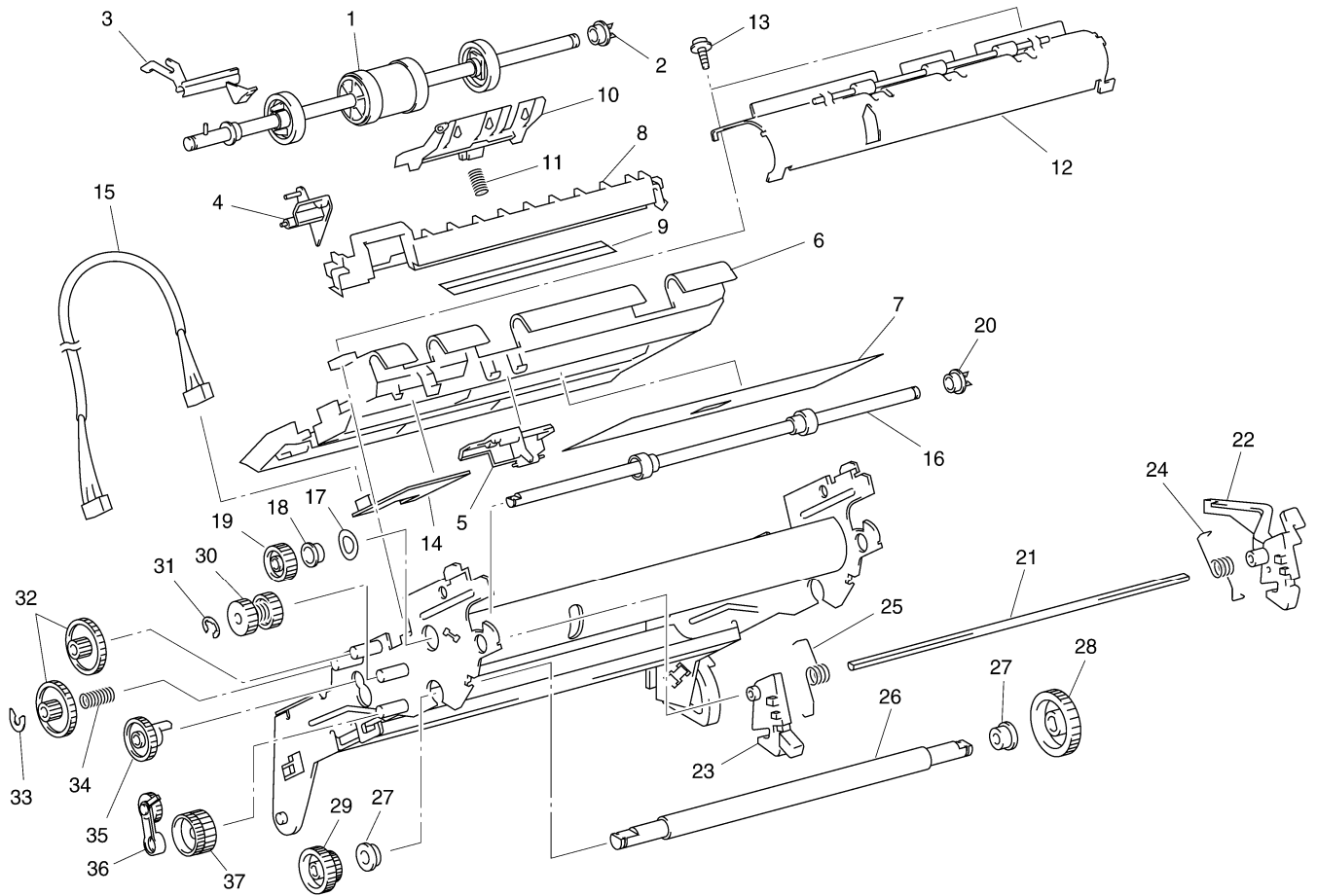
REF.NO.	CODE	Q'TY	DESCRIPTION	REMARKS
28-3	UF8176003	3	KEY, ONE TOUCH, WHITE(1138)	
28-4	UF8172002	1	KEY, START, BLUE(6155)	
28-5	UF8173001	1	KEY, STOP, ORANGE(3159)	
28-6	UF8174001	1	KEY, COPY, GRAY(1267)	
28-7	UF8179004	1	KEY, COPY MODE, WHITE(1138)	
28-8	UF8177003	1	KEY, MODE, WHITE(1138) FOR FAX1010/1020	
28-8	UF8177003	2	KEY, MODE, WHITE(1138) FOR FAX1030, MFC1970MC	
28-9	UL5712003	1	KEY, OPERATION, WHITE(1138) FOR FAX1010/1020	
28-9	UL5712003	2	KEY, OPERATION, WHITE(1138) FOR FAX1030, MFC1970MC	
28-10	UF4576003	1	KEY, SHIFT, WHITE(1138)	
28-11	UF8180003	1	KEY, MC, WHITE(1138) FOR FAX1030, MFC1970MC	
28-12	UG5035001	1	PANEL PCB ASSY FOR FAX1010/1020	
28-12	UG5048001	1	PANEL PCB ASSY FOR FAX1030, MFC1970MC	
28-13	LG2351001	1	LCD	
28-14	UG5021001	1	FPC KEY	
28-15	UG5018001	1	PANEL-MAIN HARNESS	
28-16	UF6761001	1	RUBBER	
28-17	UG5053001	1	MICROPHONE FOR FAX1030, MFC1970MC	
28-18	UF8178001	1	PANEL REAR COVER ASSY	
28-18-1	UF8175001	1	PANEL REAR COVER	
28-18-2	UF5585001	1	ADF SPRING PLATE	
28-18-3	UF5584000	1	SEPARATION RUBBER	
28-18-4	UF5586001	1	SPRING PLATE, ADF FRONT	
28-18-5	UF5587001	1	PRESSURE ROLLER	
28-18-6	UF8257001	1	EJECTION ROLLER	
28-18-7	UF8285001	1	ANTI-STATIC BRUSH	
28-19	087310815	4	TAPTITE, CUP B M3X8	
29	UF8300001	1	PANEL SHEET, FAX1010 FOR GER	
29	UF8269001	1	PANEL SHEET, FAX1010 FOR CHE	
29	UF8301001	1	PANEL SHEET, FAX1020 FOR AUS/GER	
29	UF8302001	1	PANEL SHEET, FAX1020 FOR UK	
29	UF8349001	1	PANEL SHEET, FAX1020 FOR FRA	
29	UF8350001	1	PANEL SHEET, FAX1020 FOR NOR	
29	UF8351001	1	PANEL SHEET, FAX1020 FOR BEL	
29	UF8352001	1	PANEL SHEET, FAX1020 FOR NLD	
29	UF8268001	1	PANEL SHEET, FAX1020 FOR CHE/IRL/ISR/POR/ZAF	
29	UF8353001	1	PANEL SHEET, FAX1020 FOR FIN	
29	UF8354001	1	PANEL SHEET, FAX1020 FOR DEN	
29	UF8355001	1	PANEL SHEET, FAX1020 FOR SPA	
29	UF8357001	4	PANEL SHEET, FAX1020 FOR ISR	
29	UF8356001	1	PANEL SHEET, FAX1020 FOR ITA	
29	UF8358001	1	PANEL SHEET, FAX1020 FOR SWE	
30	UF8425001	1	PANEL SHEET, FAX1030 FOR AUS/GER	
30	UF8266001	1	PANEL SHEET, FAX1030 FOR UK/CHE	
30	UF8427001	1	PANEL SHEET, FAX1030 FOR FRA	
30	UF8429001	1	PANEL SHEET, FAX1030 FOR NOR	
30	UF8430001	1	PANEL SHEET, FAX1030 FOR BEL	
30	UF8431001	1	PANEL SHEET, FAX1030 FOR NLD	
30	UF8432001	1	PANEL SHEET, FAX1030 FOR SWE	
30	UF8303001	1	PANEL SHEET, FAX1020 FOR ARL/NZ	
30	UF8409001	1	PANEL SHEET, FAX1030 FOR ARL/NZ	
30	UF8411001	1	PANEL SHEET, MFC1970MC FOR ARL/NZ	
31	UF8433001	1	LCD PLATE, FAX1030 FOR AUS/GER	
31	UF8435001	1	LCD PLATE, FAX1030 FOR FRA	
31	UF8437001	1	LCD PLATE, FAX1030 FOR NOR	

REF.NO.	CODE	Q'TY	DESCRIPTION	REMARKS
31	UF8439001	1	LCD PLATE, FAX1030 FOR NLD	
31	UF8267001	1	LCD PLATE, FAX1030 FOR BEL/CHE/UK	
31	UF8440001	1	LCD PLATE, FAX1030 FOR SWE	
31	UF8410001	1	LCD PLATE, FAX1030 FOR ARL/NZ	
31	UF8412001	1	LCD PLATE, MFC1970MC FOR ARL/NZ	
32	UF8183003	1	ADDRESS LABEL, WHITE(1138)	
33	UF4759000	1	PCI/F COVER	
34	UG5003001	1	MODULAR PCB ASSY FOR FAX1010/1020	
34	UG5003002	1	MODULAR PCB ASSY FOR FAX1030, MFC1970MC	
35	UG5059021	1	MAIN PCB SUB ASSY, FAX1010/1020 FOR AUS/BEL/CHE/DEN/FIN/FRA/GER/IRL/ITA/NLD/NOR/POR/ SPA/SWE/UK/ZAF	
35	UG5028002	1	MAIN PCB SUB ASSY, FAX1020 FOR NZ	
35	UG5028001	1	MAIN PCB SUB ASSY, FAX1020 FOR ISR	
35	UG5060032	1	MAIN PCB SUB ASSY, FAX1030 FOR BEL/CHE/NOR/SWE	
35	UG5060031	1	MAIN PCB SUB ASSY, FAX1030, MFC1970MC FOR GER/UK /FAR/ARL/AUS/NLD	
35	UG5056012	1	MAIN PCB SUB ASSY, FAX1030, MFC1970MC FOR NZ	
36	UG2477001	1	MASK ROM:1010-A FOR GER	
36	UG2943010	1	ONE TIME PROM:1010-2M FOR CHE	
36	UG2944003	1	ONE TIME PROM:1020-2M FOR GER	
36	UG2485001	1	MASK ROM:1020-A FOR UK	
36	UG2944005	1	ONE TIME PROM:1020-2M FOR FRA	
36	UG2944006	1	ONE TIME PROM:1020-2M FOR ARL	
36	UG2944007	1	ONE TIME PROM:1020-2M FOR NOR	
36	UG2944008	1	ONE TIME PROM:1020-2M FOR BEL	
36	UG2944009	1	ONE TIME PROM:1020-2M FOR NLD	
36	UG2944010	1	ONE TIME PROM:1020-2M FOR CHE	
36	UG2944011	1	ONE TIME PROM:1020-2M FOR IRL	
36	UG2944012	1	ONE TIME PROM:1020-2M FOR FIN	
36	UG2944013	1	ONE TIME PROM:1020-2M FOR DEN	
36	UG2944014	1	ONE TIME PROM:1020-2M FOR AUS	
36	UG2944015	1	ONE TIME PROM:1020-2M FOR SPA	
36	UG2944016	1	ONE TIME PROM:1020-2M FOR ITA	
36	UG2944017	1	ONE TIME PROM:1020-2M FOR ISR	
36	UG2944018	1	ONE TIME PROM:1020-2M FOR POR	
36	UG2944024	1	ONE TIME PROM:1020-2M FOR ZAF	
36	UG2944026	1	ONE TIME PROM:1020-2M FOR SWE	
36	UG2944027	1	ONE TIME PROM:1020-2M FOR NZ	
36	UG2928003	1	ONE TIME PROM:1030-2M FOR GER	
36	LG0025004	1	ONE TIME PROM:1030-2M FOR UK	
36	UG2928005	1	ONE TIME PROM:1030-2M FOR FRA	
36	UG2929007	1	ONE TIME PROM:1030-4M FOR NOR	
36	UG2929008	1	ONE TIME PROM:1030-4M FOR BEL	
36	UG2928009	1	ONE TIME PROM:1030-2M FOR NLD	
36	UG2929010	1	ONE TIME PROM:1030-4M FOR CHE	
36	UG2928014	1	ONE TIME PROM:1030-2M FOR AUS	
36	UG2929026	1	ONE TIME PROM:1030-4M FOR SWE	
36	UG2928006	1	ONE TIME PROM:1030,1970-2M FOR ARL	
36	UG2928027	1	ONE TIME PROM:1030,1970-2M FOR NZ	
37	UG3732001	1	BATTERY ASSY FOR FAX1030/MFC1970MC	
38	UG3713003	1	NCU PCB ASSY, FAX1010/1020 FOR GER	
38	UG3705010	1	NCU PCB ASSY, FAX1010/1020 FOR CHE/ZAF	
38	UG3537001	1	NCU PCB ASSY, FAX1020 FOR ISR	
38	UG3709004	1	NCU PCB ASSY, FAX1020 FOR UK	

REF.NO.	CODE	Q'TY	DESCRIPTION	REMARKS
38	UG3711005	1	NCU PCB ASSY, FAX1020 FOR FRA	
38	UG3709007	1	NCU PCB ASSY, FAX1020 FOR NOR/SWE	
38	UG3707008	1	NCU PCB ASSY, FAX1020 FOR BEL	
38	UG3707009	1	NCU PCB ASSY, FAX1020 FOR NLD	
38	UG3707011	1	NCU PCB ASSY, FAX1020 FOR IRL	
38	UG3707012	1	NCU PCB ASSY, FAX1020 FOR FIN	
38	UG3715013	1	NCU PCB ASSY, FAX1020 FOR DEN	
38	UG3707014	1	NCU PCB ASSY, FAX1020 FOR AUS	
38	UG3720015	1	NCU PCB ASSY, FAX1020 FOR SPA	
38	UG3720016	1	NCU PCB ASSY, FAX1020 FOR ITA	
38	UG3720048	1	NCU PCB ASSY, FAX1020 FOR POR	
38	UG3713053	1	NCU PCB ASSY, FAX1030 FOR GER	
38	UG3820082	1	NCU PCB ASSY, FAX1030 FOR UK	
38	UG3711055	1	NCU PCB ASSY, FAX1030 FOR FRA	
38	UG3709057	1	NCU PCB ASSY, FAX1030 FOR NOR/SWE	
38	UG3707058	1	NCU PCB ASSY, FAX1030 FOR BEL	
38	UG3707059	1	NCU PCB ASSY, FAX1030 FOR NLD	
38	UG3705060	1	NCU PCB ASSY, FAX1030 FOR CHE	
38	UG3611001	1	NCU PCB ASSY, FAX1020, FAX1030, MFC1970MC FOR NZ	
38	UG3705056	1	NCU PCB ASSY, MFC1970MC FOR ARL	
39	UG5061001	1	POWER SUPPLY PCB ASSY FOR WITHOUT CHE	
39	UG5057001	1	POWER SUPPLY PCB ASSY FOR CHE	
40	UF5918001	1	AC CORD ASSY FOR GER/NOR/AUS/SPA/ITA/SWE	
40	UG3308001	1	AC CORD ASSY FOR AUS/BEL/FIN/FRA/GER/IRL/ITA/NLD/NOR/ POR/SPA/SWE	
40	UF5919001	1	AC CORD ASSY FOR CHE	
40	UG3580001	1	AC CORD ASSY FOR DEN	
40	UG3305001	1	AC CORD ASSY FOR ISR/ZAF	
40	UF5917001	1	AC CORD ASSY FOR UK/IRL	
40	UG3307001	1	AC CORD ASSY FOR ARL/NZ	
41	UF4444001	1	SCREW, PAN(P WASHER) M4X6	
42	UG5019001	1	POWER-MAIN HARNESS	
43	UG5051001	1	POWER-HEAD HARNESS	
44	UF8152001	1	BOTTOM PLATE	
45	087310815	6	TAPTITE, CUP B M3X8	
46	U24014001	2	TAPTITE, CUP S M3.0X6	
47	LE5072003	1	HANDSET, FOR MFC1970MC FOR NZ/ARL,	
47	LE5498003	1	HANDSET, FAX1020, FAX1030 EXCEPT FOR UK	
47	LE5497003	1	HANDSET, FAX1030 FOR UK	
48	UF6403001	1	B/T HANDSET, FAX1020 FOR UK	

REF.NO.	CODE	Q'TY	DESCRIPTION	REMARKS
49	UL8019009	1	HANDSET CURLED CORD ASSY, WHITE(1255), FAX1030,FAX1020 FOR ARL/AUS/BEL/CHE/DEN/FIN/FRA/GER/IRL/ISR/ITA/NLD/NOR/NZ/POR/SPA/SWE/ZAF	
50	UG3625001	1	TELEPHONE LINE CORD FOR GER	
50	UG3469000	1	TELEPHONE LINE CORD FOR CHE	
50	UG3632001	1	TELEPHONE LINE CORD FOR FIN	
50	UG3633001	1	TELEPHONE LINE CORD FOR DEN	
50	UG3634001	1	TELEPHONE LINE CORD FOR ITA	
50	U85683001	1	TELEPHONE LINE CORD FOR ISR	
50	UG1570001	1	TELEPHONE LINE CORD FOR IRL/POR/SPA/ZAF	
50	LG3077001	1	TELEPHONE LINE CORD FOR IRL/SPA/ARL	
50	UG3626001	1	TELEPHONE LINE CORD FOR UK	
50	UG3627001	1	TELEPHONE LINE CORD FOR FRA	
50	UG3629001	1	TELEPHONE LINE CORD FOR NOR	
50	UG1575001	1	TELEPHONE LINE CORD FOR BEL	
50	UG3631001	1	TELEPHONE LINE CORD FOR NLD	
50	UG4205001	1	TELEPHONE LINE CORD FOR AUS	
50	UG3635001	1	TELEPHONE LINE CORD FOR SWE	
50	UG3290001	1	TELEPHONE LINE CORD FOR NZ	
51	UL6856000	1	TRAY EXTENSION	
52	UF8048001	1	RECORDING PAPER SUPPORT, GRAY(1333)	
53	UF8247001	1	DOCUMENT SUPPORT, GRAY(1333)	
54	UF8246001	1	DOCUMENT EJECTION TRAY ASSY	
54	LE0413004	4	DOCUMENT EJECTION TRAY ASSY FOR ARL/NZ	<Eliminated>
(55)	UF8304001	1	RIBBON CASSETTE UNIT FOR ARL/NZ	
(55)	UF8387001	1	RIBBON CASSETTE UNIT FOR GER/UK/FRA/NOR/BEL/NLD/CHE/IRL/FINDEN/AUS/SPA/ITA/ISR/POR/ZAF/SWE	
(55-1)	UF8245001	1	STARTER RIBBON (135M) FOR GER/UK/FRA/NOR/BEL/NLD/CHE/IRL/FIN/DEN/AUS/SPA/ITA/ISR/POR/ZAF/SWE	
(55-1)	UF8064001	1	STARTER RIBBON (30M) FOR ARL/NZ	
(56)	UF8306001	2	TH PROTECTION PAPER	
(57)	UF8446001	1	MYLAR LABEL, FAX1020 FOR ARL	
(57)	UF8455004	4	MYLAR LABEL, FAX1030 FOR ARL	<Eliminated>
(57)	UF8477001	1	MYLAR LABEL, MFC1970MC FOR ARL	
(58)	UF8519001	1	DUST COVER FOR ARL/NZ	
(59)	UF0130003	1	OWNER'S MANUAL, FAX1010 FOR GER	
(59)	UF0130010	1	OWNER'S MANUAL, FAX1010-1 FOR CHE (GERMAN)	
(59)	UF0140008	1	OWNER'S MANUAL, FAX1010-2 FOR CHE (FRENCH)	
(59)	UF0189011	1	OWNER'S MANUAL, FAX1020 FOR IRL	
(59)	UF8361011	1	OWNER'S MANUAL, FAX1020 FOR IRL/ZAF	
(59)	UF8361012	1	OWNER'S MANUAL, FAX1020 FOR FIN	
(59)	UF0189013	1	OWNER'S MANUAL, FAX1020 FOR DEN	
(59)	UF0189015	1	OWNER'S MANUAL, FAX1020 FOR SPA	
(59)	UF0189016	1	OWNER'S MANUAL, FAX1020 FOR ITA	
(59)	UF8361017	1	OWNER'S MANUAL, FAX1020 FOR ISR	
(59)	UF8361018	1	OWNER'S MANUAL, FAX1020 FOR POR	
(59)	UF0189003	1	OWNER'S MANUAL, FAX1020/1030 FOR AUS/GER	
(59)	UF0189004	1	OWNER'S MANUAL, FAX1020 FOR UK	
(59)	LE0193004	1	OWNER'S MANUAL, FAX1030 FOR UK	
(59)	UF8361005	1	OWNER'S MANUAL, FAX1020/1030 FOR FRA	
(59)	UF0189007	1	OWNER'S MANUAL, FAX1020 FOR NOR	
(59)	UF8361007	1	OWNER'S MANUAL, FAX1020/1030 FOR NOR	
(59)	UF8361008	1	OWNER'S MANUAL, FAX1020/1030 FOR BEL (DUTCH)	

REF.NO.	CODE	Q'TY	DESCRIPTION	REMARKS
(59)	UF8362008	1	OWNER'S MANUAL, FAX1020/1030 FOR BEL (FRENCH)	
(59)	UF8361009	1	OWNER'S MANUAL, FAX1020/1030 FOR NLD	
(59)	UF0189010	1	OWNER'S MANUAL, FAX1020/1030 FOR CHE (GERMAN)	
(59)	UF0190008	1	OWNER'S MANUAL, FAX1020/1030 FOR CHE (FRENCH)	
(59)	UF0189026	1	OWNER'S MANUAL, FAX1020 FOR SWE	
(59)	UF8361026	1	OWNER'S MANUAL, FAX1020/1030 FOR SWE	
(59)	LE0205006	1	OWNER'S MANUAL, FAX1030 FOR ARL	
(59)	UF8361027	1	OWNER'S MANUAL, FAX1020/1030/MFC1970MC FOR NZ	
(59)	LE0270027	1	OWNER'S MANUAL, MFC1970MC FOR NZ	
(60)	UF5469004	4	MULTI FUNCTION LINK MANUAL FOR ARL/NZ	<Eliminated>
(60)	UU0600001	1	MULTI FUNCTION LINK MANUAL FOR NZ	
(61)	UF8478001	1	QUICK REFERENCE GUIDE, FAX1030, MFC1970MC FOR ARL	
(62)	UF8897001	1	REMOTE CONTROL GUIDE, FAX1030 FOR AUS/CHE/GER (GERMAN)	
(62)	UF8898001	1	REMOTE CONTROL GUIDE, FAX1030 FOR UK	
(62)	UF8899001	1	REMOTE CONTROL GUIDE, FAX1030 FOR BEL/CHE/FRA (FRENCH)	
(62)	UF8901001	1	REMOTE CONTROL GUIDE, FAX1030 FOR NOR	
(62)	UF8902001	1	REMOTE CONTROL GUIDE, FAX1030 FOR BEL/NLD (DUTCH)	
(62)	UF8907001	1	REMOTE CONTROL GUIDE, FAX1030 FOR SWE	
(62)	UF8462004	4	REMOTE CONTROL GUIDE, FAX1030 FOR BEL	
(62)	UF8464004	4	REMOTE CONTROL GUIDE, FAX1030 FOR CHE	
(62)	UF8460001	1	REMOTE CONTROL GUIDE, FAX1020/1030/MFC1970MC FOR ARL/NZ	
(63)	UF8644001	1	WARRANTY CARD FOR FRA	
(63)	UF5118001	1	WARRANTY CARD FOR NOR	
(63)	237703001	1	WARRANTY CARD FOR NLD	
(63)	UF5164004	4	WARRANTY CARD FOR ISR	
(63)	UF5119001	1	WARRANTY CARD FOR SWE	
(63)	UU0605001	1	WARRANTY CARD FOR SPA	
(64)	UE3099001	1	CARTON, BROTHER FAX1010	
(64)	UE1644001	1	CARTON, BROTHER FAX1020 FOR GER/UK/FRA/NOR/BEL/NLD/CHE IRL/FIN/DEN/AUS/SPA/ITA/ISR/POR/ZAF/SWE	
(64)	UE3106001	1	CARTON, BROTHER FAX1020 FOR GER/UK/NOR/IRL/CHE/SPA/ ITA/SWE	
(64)	UE1645001	1	CARTON, BROTHER FAX1020 FOR ARL/NZ	
(64)	UE3107001	1	CARTON, BROTHER FAX1030 FOR GER/CHE/AUS	
(64)	LE0433001	1	CARTON, BROTHER FAX1030 FOR UK	
(64)	UE1658001	1	CARTON, BROTHER FAX1030 FOR GER/UK/FRA/NOR/BEL/NLD/CHE AUS/SWE	
(64)	UE1659001	1	CARTON, BROTHER FAX1030 FOR ARL/NZ	
(64)	LE0206001	1	CARTON, BROTHER FAX1030 FOR ARL	
(64)	LE0271001	1	CARTON, BROTHER MFC1970MC FOR ARL/NZ	
(65)	UE1511001	1	STYROFOAM, EXCEPT FOR MFC1970MC, ARL/NZ	
(65)	LE0369001	1	STYROFOAM, MFC1970MC FOR ARL/NZ	
(66)	UE1514001	1	ACCESSORY BOX	
(67)	UE1660001	1	BAG, 620X800H (FOR MACHINE)	
(68)	UF8997001	1	ADJUSTING SHEET, A	
(69)	UF8263001	1	TEST CHART-027	
(70)	UF9333004	4	TEST CHART-028	<Eliminated>
(71)	UF2647001	1	CLEANING KIT ASSY	
(72)	LE0218001	1	EJECTION SUPPORT	
(73)	LE0438001	1	MFL INTERFACE ASSY, MFC1970MC FOR NZ	
(74)	LE0544001	1	SEPARATION PAD HOLDER SUPPLY ASSY	



1.PLATEN FRAME & MAIN FRAME ATTACHMENT

REF.NO.	CODE	QTY	DESCRIPTION	REMARKS
1	UF8116001	1	PAPER FEED ROLLER ASSY	
2	UF0026001	1	PAWLED BUSHING	
3	UF8118001	1	PAPER FRONT COVER SENSING ACTUATOR	
4	UF8111001	1	PAPER-EDGE SENSOR ACTUATOR	
5	UF8112001	1	PAPER EJECTION SENSOR ACTUATOR	
6	UF8109001	1	PAPER FEED CHUTE ASSY (INCLUDING PAPER FEED CHUTE, CHUTE FILM, PAPER FEED SUB CHUTE, SUB CHUTE FILM, SEPARATION PAD, SPRING, SENSOR PCB ASSY, SENSOR-MAIN HARNESS, PAPER EDGE SENSOR ACTUATOR, AND PAPER EJECTION SENSOR ACTUATOR)	
7	UF8139001	1	CHUTE FILM	
8	UF8104001	1	PAPER FEED SUB CHUTE	
9	UF8249001	1	SUB CHUTE FILM	
10	UF8265001	1	SEPARATION PAD	
11	UL5184001	1	SPRING, COMPRESSION	
12	UF8086001	1	CHUTE ASSY	
13	087320815	2	TAPTITE, CUP S M3X8	
14	UG5000001	1	SENSOR PCB ASSY	
15	UG5014001	1	SENSOR-MAIN HARNESS	
16	UF0761001	1	PAPER EJECTION ROLLER	
17	UF8090001	1	CURVED WASHER	
18	UF8105001	1	BUSHING	
19	UF6048000	1	GEAR, 40	
20	UF0026001	1	PAWLED BUSHING	
21	UF8505001	1	LOCK LEVER SHAFT	
22	UF8506001	1	LOCK LEVER R	
23	UF8504001	1	LOCK LEVER L	
24	UF8126001	1	LOCK SPRING R	
25	UF8125001	1	LOCK SPRING L	
26	UF8095001	1	PLATEN	
27	UF8097001	2	BUSHING	
28	UF8101001	1	GEAR,33 RB	
29	UF8098001	1	GEAR,23	
30	UF8076001	1	CLUTCH GEAR ASSY	
31	048030345	1	RETAINING RING, E3	
32	UF8094001	2	GEAR,18/41	
33	UF8088001	1	PLASTIC RETAINING RING	
34	UF8087001	1	SPRING COMPRESSION	
35	UF8122001	1	GEAR,55	
36	UF8123001	1	PLANET GEAR, 34	
37	UF8093001	1	GEAR,39/24	
38	UF3665000	2	RIBBON BUSHING	
39	UF8013001	2	PAWLED RIBBON BUSHING B	
40	UF8039001	1	GEAR,33/45	
41	UF8025001	1	GEAR,18	
42	UF8034001	2	GEAR,39	
43	UF8046001	1	ARM C ASSY	
44	UF8036001	1	GEAR,33	
45	UF8040001	1	GEAR,36/27	
46	UF8149001	1	ACTUATOR SPRING	
47	UF8148001	1	COVER SENSOR ACTUATOR	
48	UF8030001	1	ARM A ASSY	
49	UF8032001	1	ARM B ASSY	
50	UF8029001	1	GEAR,20/90	

1.PLATEN FRAME & MAIN FRAME ATTACHMENT

REF.NO.	CODE	QTY	DESCRIPTION	REMARKS
51	UF8035001	1	SEPARATION ROLLER GEAR	
52	UF5511001	1	SEPARATION ROLLER	
53	UF8037001	1	GEAR,20/40	
54	UF8038001	1	CLUTCH LEVER	
55	UF6664001	1	SPRING, EXTENSION	
56	UG3086001	1	SOLENOID	
57	UF6616000	3	GEAR, 14/20	
58	UF8144001	1	DOCUMENT EJECTION ROLLER	
59	UF8146001	1	BUSHING	
60	Z26436101	1	MOTOR	CHG
61	U09759001	1	SCREW, PAN (S/P WASHER) M3X6	
62	UG5012001	1	MOTOR-MAIN HARNESS	
63	UF6069000	1	SLIP GEAR, 40	
64	UF6067001	1	FRICTION PAD	
65	048030345	1	RETAINING RING, E3	
66	UF8043001	1	BACK TENSION SPRING	
67	UF8028001	1	GEAR,24	
68	UF8037001	1	GEAR,20/40	
69	UF8023001	1	FRICTION TORQUE TRANSMISSION ASSY (GEAR,46 ASSY)	
70	U24014001	1	TAPTITE, CUP S M3.0X6	
71	UF8022001	1	DOCUMENT FRONT SENSOR ACTUATOR	
72	UF8024001	1	DOCUMENT PAPER SENSOR ACTUATOR	
	UG5064001	1	CIS UNIT, MFC1970MC	
73	UG5064001	1	CIS UNIT, FAX1010/1020/1030	
74	UF8578001	1	CIS HOLDER R	
75	UF8579001	1	CIS HOLDER L	
76	087310815	2	TAPTITE, CUP B M3X8	
77	UG5013001	1	CIS-MAIN HARNESS	
78	UF8041001	1	CIS LEAF SPRING	
79	UF8053001	1	WHITE PRESSURE ROLLER ASSY	
(79-1)	UF8054001	1	WHITE PRESSURE ROLLER	
(79-2)	UF8056001	1	BUSHING L	
(79-3)	UF8057001	1	WHITE PRESSURE ROLLER GEAR	
80	UF8058001	1	BUSHING R	

brother®