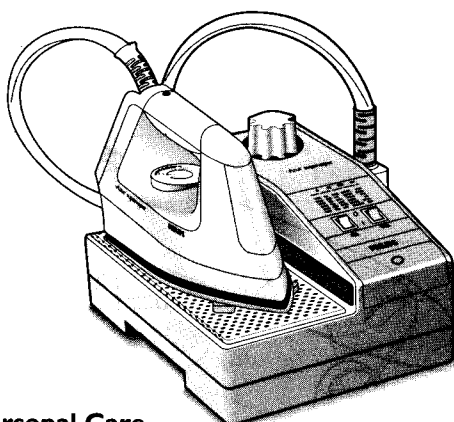


Service  
Service  
**Service**



**HD 1845**  
**HD 1846**  
**HI 900**  
**HI 904**

Philips Domestic Appliances and Personal Care

# Service Manual

Service manual 4822 729 21392 herewith cancels

## PRODUCT INFORMATION

The HI 900 and HI 904 are the successors of the HD 1845 and HD 1846.

They only differs with regard to colours.

The colours of the HD 1845 and HD 1846 were white and blue.

The colours of the HI 900 and HI 904 are white and green.

	HD 1845 / HI 900	HD 1846 / HI 904
soleplate	linished	inox
variable steam	-	x
shot of steam	-	x
jet of steam	-	x
max. steam output	50 gr / min	60 gr / min
Voltage	: 220 - 240 V	
Power consumption	: Boiler 1200 Watts Iron 800 Watts	

Soleplate temperature : Dial at max. position : 225 ± 25 °C

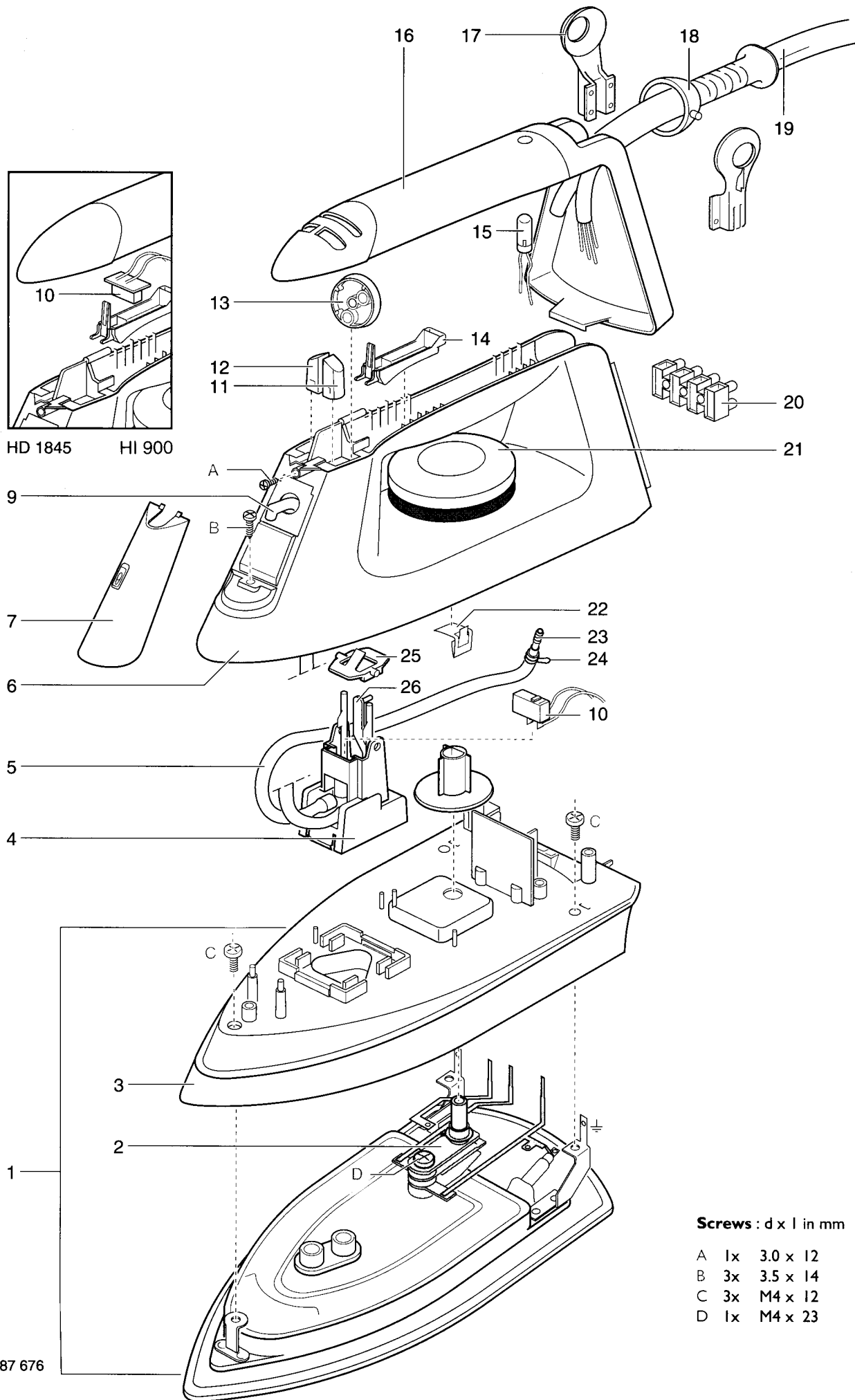
Features : contents boiler 0.9 litre  
: length steam hose 1.7 m  
: length cordset 2.0 m.

**In case the specific components of the HD 1845 and HD 1846 are not available anymore, these components will be replaced by the components of the HI 900 and HI 904 in deviating colours.**

**Product meets the requirements regarding interference suppression on radio and TV.**



**EXPLODED VIEW IRON**



**Screws : d x l in mm**

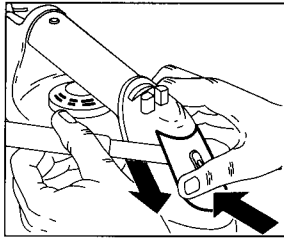
- A 1x 3.0 x 12
- B 3x 3.5 x 14
- C 3x M4 x 12
- D 1x M4 x 23

**PARTS LIST IRON**

pos	description	service code	HD 1845	HDI846	HI 900	HI 904
1	soleplate unit 220 - 240 V	4822 259 10133	x	-	-	-
	soleplate unit 220 - 240 V	4822 259 10134	-	x	-	-
	soleplate unit 220 - 240 V	4822 259 10201	-	-	x	-
	soleplate unit 220 - 240 V	4822 259 10194	-	-	-	x
2	thermostat	4822 282 30238	x	x	x	x
3	skirt	4822 442 00608	x	-	x	-
	skirt	4822 441 80979	-	x	-	-
	skirt	4822 442 00414	-	-	-	x
4	deviator assy	4822 360 10138	-	x	-	x
5	steam hose	4822 690 80134	-	x	-	x
6	handle printed	4822 418 40949	x	x	-	-
	handle printed	4822 498 10587	-	-	x	x
7	nose cover	4822 441 80987	x	-	x	-
	nose cover	4822 441 80981	-	x	-	x
9	jet of steam hose	4822 690 80133	-	x	-	x
10	microswitch	4822 282 30239	x	x	x	x
11	jet of steam button white	4822 410 62966	-	x	-	-
12	shot of steam button white	4822 410 62967	-	x	-	-
11+12	jet + shot of steam buttons green	4822 410 10555	-	-	-	x
13	steam dial	4822 412 40235	-	x	-	-
	steam dial	4822 410 10556	-	-	-	x
14	steam command lever	4822 410 62968	x	x	x	x
15	pilot light 220 - 240 V	4822 134 41161	x	x	x	x
16	inlay	4822 441 80978	x	-	-	-
	inlay	4822 441 80982	-	x	-	-
	inlay	4822 442 00415	-	-	x	-
	inlay	4822 442 00413	-	-	-	x
17	swivel ear	4822 325 60391	x	x	x	x
18	ball swivel	4822 325 60389	x	x	x	x
19	steam hose / cable	4822 530 21058	x	x	x	x
20	terminal block (4 pole)	4822 290 61189	x	x	x	x
21	thermostat dial	4822 412 40236	x	x	x	x
	thermostat dial	4822 410 10557	-	-	x	x
22	dial rattle	4822 492 71445	x	x	x	x
23	hose joint	4822 530 40513	x	x	x	x
24	spring clamp	4822 492 71001	x	x	x	x

## DISASSEMBLY ADVICE IRON

### NOSE COVER 7



### LAMP 15

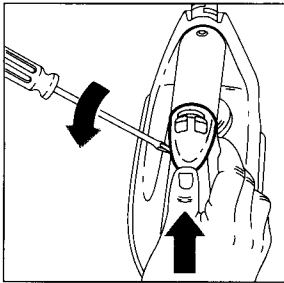
### MICROSWITCH 10

### STEAM DIAL 13

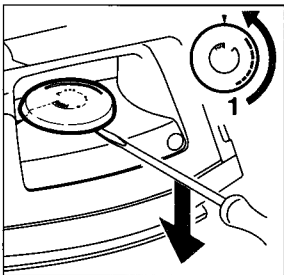
### JET OF STEAM BUTTON 11

### SHOT OF STEAM BUTTON 12

remove NOSE COVER 7  
remove SCREW A



### DIAL 21



### HANDLE 6

### SOLEPLATE 1

### MICROSWITCH 10

### DEVIATOR 5

### THERMINAL BLOCK 20

### JET OF STEAM HOSE 11

remove DIAL 21  
remove NOSE COVER 7  
remove INLAY 16  
remove STEAM DIAL 13  
remove BUTTON 11  
remove BUTTON 12  
remove SCREWS THER-  
MINAL BLOCK 20  
remove STEAM HOSE 19  
remove CLAMP 24  
remove SCREW B 3x

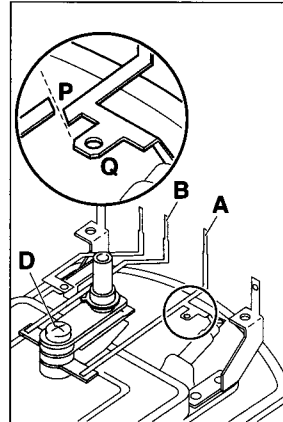
### THERMOSTAT 2

### SKIRT 3

remove DIAL 21  
remove NOSE COVER 7  
remove INLAY 16  
remove STEAM DIAL 13  
remove BUTTON 11  
remove BUTTON 12  
remove SCREWS THER-  
MINAL BLOCK 20  
remove STEAM HOSE 19  
remove THERMINAL  
BLOCK 20  
remove CLAMP 24  
remove SCREW B 3x  
remove SCREW C 3x  
remove HANDLE 6

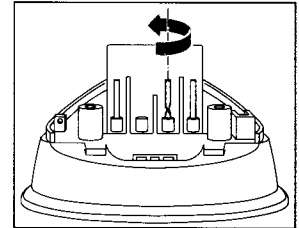
### THERMOSTAT 2 ONLY

cut CONDUCTOR A  
at location P  
remove SCREW D



### ASSEMBLY REQUIREMENTS THERMOSTAT 2

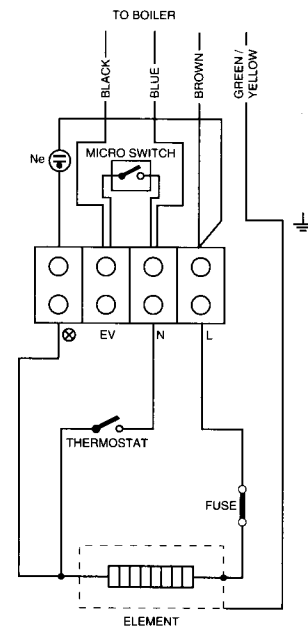
Instead of metal conductor A,  
the new thermostat has a wire  
with AMP clamp.  
After fixing screw D, connect  
the AMP clamp to tag Q.  
After assembling SKIRT 3  
ALWAYS turn conductor B  
through 180 degrees.



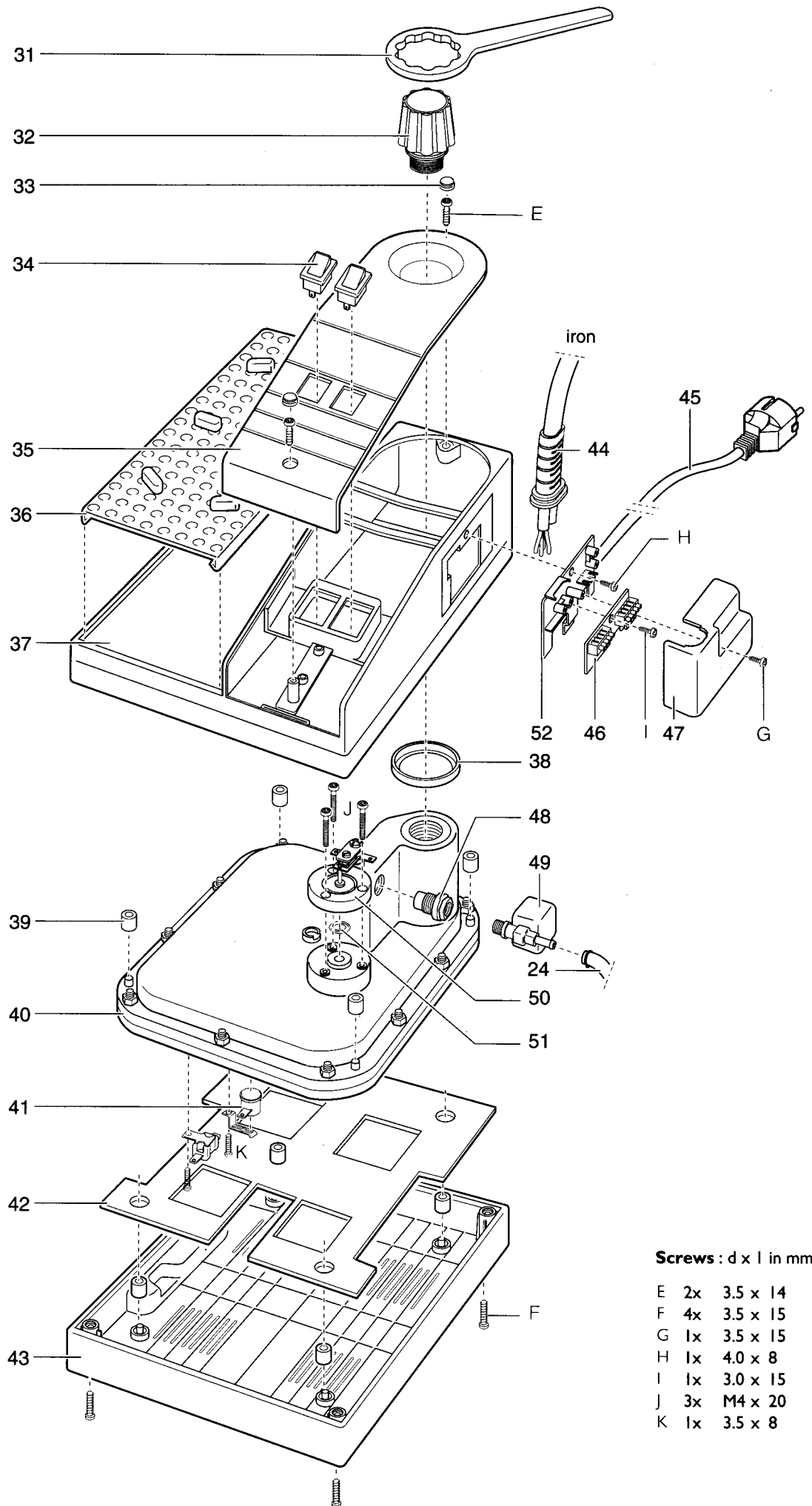
### ADJUSTMENT AND CONTROLS

#### Thermostat 2

Thermostat ( 2 ) supplied as a spare part or fitted to the sole plate  
( 1 ) has already been adjusted by the supplier and secured by glue.  
**To avoid disfunction of the iron , NEVER readjust the  
thermostat.**



# EXPLODED VIEW BOILER



**Screws : d x l in mm**

- E 2x 3.5 x 14
- F 4x 3.5 x 15
- G 1x 3.5 x 15
- H 1x 4.0 x 8
- I 1x 3.0 x 15
- J 3x M4 x 20
- K 1x 3.5 x 8

## PARTS LIST + DISASSEMBLY ADVICE BOILER

### Parts list boiler

pos	description	service code
31	safety cap spanner	4822 395 50454
32	safety cap	4822 462 72002
33	screw cap	4822 462 72001
34	switch assy (220 - 240 V)	4822 273 20382
35	inlay printed HD 1845/46	4822 441 80996
	inlay printed HI 900/04	4822 442 00416
36	iron rest with studs HD 1845/46	4822 458 30667
	iron rest with studs HI 900/04	4822 458 10543
37	upper housing	4822 441 80995
38	sealing ring	4822 466 62475
39	buffer	4822 462 71999
40	boiler body + fuse, boiler thermostat, pressostat, sieve and electro valve	4822 418 10211
41	boiler thermostat	4822 282 30244
42	insulating plate	4822 466 93347
43	lower housing	4822 441 80997
44	grommet	4822 325 60394
45	cordset Euro plug	4822 321 11031
	cordset Italian plug	4822 321 11029
	cordset English plug	4822 321 11028
46	connector assy	4822 290 61204
47	cover	4822 441 80994
48	sieve	4822 360 50893
49	electro valve + O - ring	4822 360 50902
50	pressostat	4822 282 10254
51	O - ring pressostat	4822 530 51273

### Disassembly advice boiler

#### SWITCH 34

#### SEALING 38

remove CAP 33  
remove SCREW E 2x  
remove INLAY 35

#### HOSE 19

#### GROMMET 44

#### CORDSET 45

remove SCREW G  
remove COVER 47  
unplug WIRING HOSE 19  
remove SCREW  
CORDCLAMPING  
remove CLAMP 24

#### BOILER 40

#### PRESSOSTAT 50

#### SEALING 51

#### SIEVE 48

#### ELECTRO VALVE 49

#### BOILER THERM. 41

#### INSULATING PLATE 42

remove CAP 33  
remove SCREW E 2x  
remove INLAY 35  
remove WIRING SWITCHES  
remove SCREW G  
remove WIRING HOSE 19  
remove WIRING CORDSET 45  
remove CLAMP 24  
remove SCREW F 4x

## ADJUSTMENT AND CONTROLS

### Pressostat 50

The pressostat ( 50 ) fixed to the boiler ( 40 ) has already been adjusted.

The adjustment has been secured by glue.

**To avoid dangerous situations, NEVER readjust the pressostat which has already been fixed to the boiler.**

**After replacement of the pressostat , the pressostat MUST be adjusted.**

To adjust the pressostat, the following adjustment procedure must be followed

- The boiler is filled with water.
- Instead of CAP 32, a manometer is screwed on to the boiler.
- The product is switched on and the boiler pressure is set to 2.0 - 2.2 Bar.
- When this level has been reached, adjust the set screw of the pressostat so that the contacts are just open.
- Switch off the product and let it cool down to room temperature.
- After cooling down, switch the product on again and check if the pressure is still between the limits 2.0 - 2.2 Bar.
- Secure the set screw with Loctite or similar glue.

**N.B. IN CASE NO MANOMETER IS AVAILABLE, ALWAYS REPLACE THE COMPLETE BOILER ( 40 ).**

### NOTES

- When the thermal fuse is open, the boiler has been subjected to too high temperatures.  
**In that case, the complete boiler must be replaced for safety reasons.**
- To avoid leakage of the sealings and damage to the components in and on the boiler,  
**Never clean the boiler with vinegar, a descaling agent or other chemicals**
- The boiler body doesn't contain serviceable parts.  
**Never disassemble the body of the boiler.**
- **When the safety valve has been activated, the complete product has to be replaced.**
- **After the product has been repaired, it should function properly and has to meet the safety requirements as laid down and officially established at this moment.**

