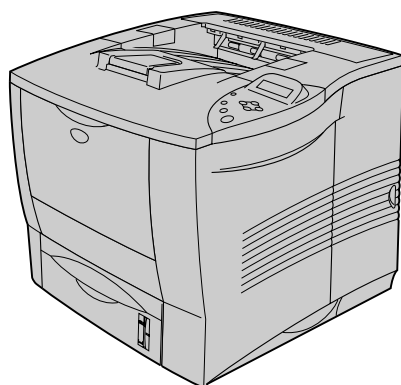




## Brother Laser Printer PARTS REFERENCE LIST

MODEL: HL-2460



Read this list thoroughly before maintenance work.  
Keep this list in a convenient place for quick and easy reference at all times.

March 2001  
PL-PRN011

### NOTE FOR USING THIS PARTS REFERENCE LIST

- In the case of ordering parts, it needs mentioning the following items:
  - Code
  - Q'ty
  - Description
  - Symbol (PCB No., Revision, and Parts location mounted on the PCB.)

*Note: No orders without Parts Code or Tool No. can be accepted.*

< Example >

REF.NO.	CODE	Q'TY	DESCRIPTION	SYMBOL	REMARK

Revision No.: marked on the **main printed circuit board**.

**B48K056 - 201A**

Design change indication  
Specification No.  
Pattern alteration No.  
Circuit board No.

Revision No.: marked on the **power supply printed circuit board**.

**Rev. A**

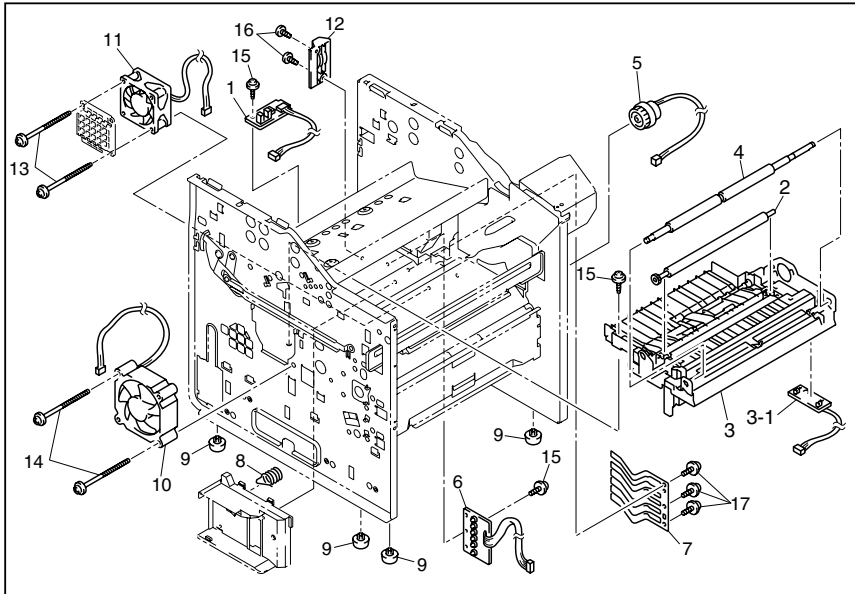
Design change indication  
(The first version has no sign.)

- Design-changed parts:  
If the parts are changed, any one of the following symbols is indicated in the REMARKS column.
  - #A: Compatible between old and new
  - #B: Replaceable from old to new
  - #D: Incompatible
  - #: Newly established
- The original of this list was made based on the information available in March 2001.
- Parts are subject to change in design without prior notice.

## CONTENTS

1.	<u>FRAME</u> .....	1
2.	<u>DRIVE</u> .....	1
3.	<u>SCANNER UNIT</u> .....	3
4.	<u>PAPER EJECT</u> .....	3
5.	<u>PAPER FEED</u> .....	5
6.	<u>MP TRAY</u> .....	5
7.	<u>PAPER TRAY</u> .....	7
8.	<u>FIXING UNIT</u> .....	9
9.	<u>COVERS / LABELS</u> .....	11
10.	<u>SWITCH PANEL</u> .....	13
11.	<u>MAIN PCB</u> .....	13
12.	<u>ENGINE PCB</u> .....	15
13.	<u>HIGH-VOLTAGE POWER SUPPLY PCB</u> .....	15
14.	<u>LOW-VOLTAGE POWER SUPPLY PCB</u> .....	17
15.	<u>AC CORDS</u> .....	17
16.	<u>ACCESSORIES</u> .....	19
17.	<u>PACKING MATERIALS</u> .....	21
18.	<u>PERIODICAL MAINTENANCE PARTS</u> .....	23

1. FRAME



MODEL HL-2460 84T-U05-500

T/I NO. PR2001044

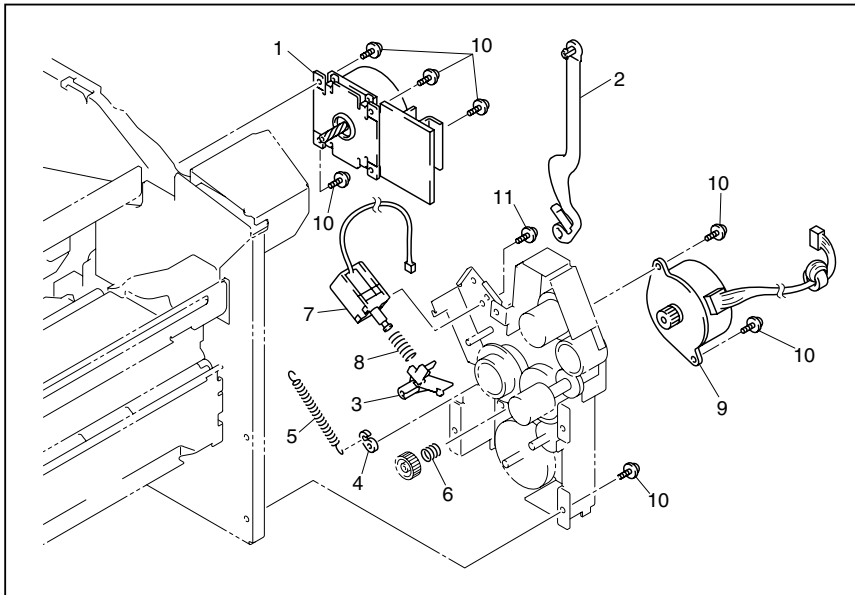
1. FRAME

REF.NO.	CODE	Q'TY	DESCRIPTION	REMARK
1	LJ8530001	1	EJECT SENSOR PCB ASSY	
2	LJ0893001	1	TRANSFER ROLLER 52 ASSY	
3	LJ0149001	1	TRANSFER BASE ASSY	
3-1	LJ8534001	1	SENSOR RELAY PCB R ASSY	
4	LJ0173001	1	REGIST ROLLER ASSY	
5	LJ0175001	1	ELECTROMAGNETIC CLUTCH REGIST	
6	LJ8538001	1	SIZE SW PCB ASSY	
7	LJ0193001	1	SIZE SWITCH SPRING	
8	LJ0364001	1	GUIDE PLATE SPRING	
9	UH2208001	4	RUBBER FOOT	
10	LJ0214001	1	FAN MOTOR 80	
11	LJ0259001	1	FAN MOTOR 60	
12	LJ0551001	1	CF SLOT	
13	LJ0670001	2	TAPTITE, PAN B M3X35	
14	087323016	2	TAPTITE, CUP S M3X30	
15	087320616	3	TAPTITE, CUP S M3X6	
16	085320616	2	TAPTITE, BIND B M3X6	
17	LJ0822001	3	TAPTITE, CUP S M3X4	

MODEL HL-2460 84T-U05-500

T/I NO. PR2001044

2. DRIVE



MODEL HL-2460 84T-U05-550

T/I NO. PR2001044

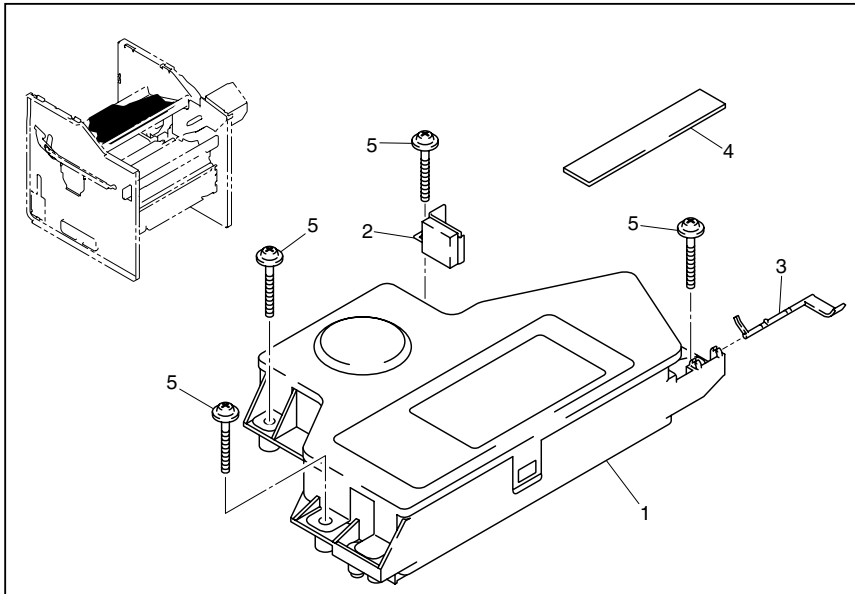
2. DRIVE

REF.NO.	CODE	Q'TY	DESCRIPTION	REMARK
1	LJ0227001	1	MAIN MOTOR ASSY	
2	LJ0232001	1	DRUM GEAR LINK	
3	LJ0244001	1	SOLENOID LEVER	
4	UH2378000	1	SPRING HOOK	
5	LJ0247001	1	SECTOR GEAR 35 SPRING	
6	LJ0264001	1	FRICTION SPRING	
7	LJ0265001	1	SOLENOID ASSY	
8	LJ0309001	1	SOLENOID SPRING MP	
9	LJ0267001	1	FEEDING MOTOR ASSY	
10	087320616	7	TAPTITE, CUP S M3X6	
11	U11776001	1	SCREW, FLANGED M3X3.5	

MODEL HL-2460 84T-U05-550

T/I NO. PR2001044

### 3. LASER UNIT



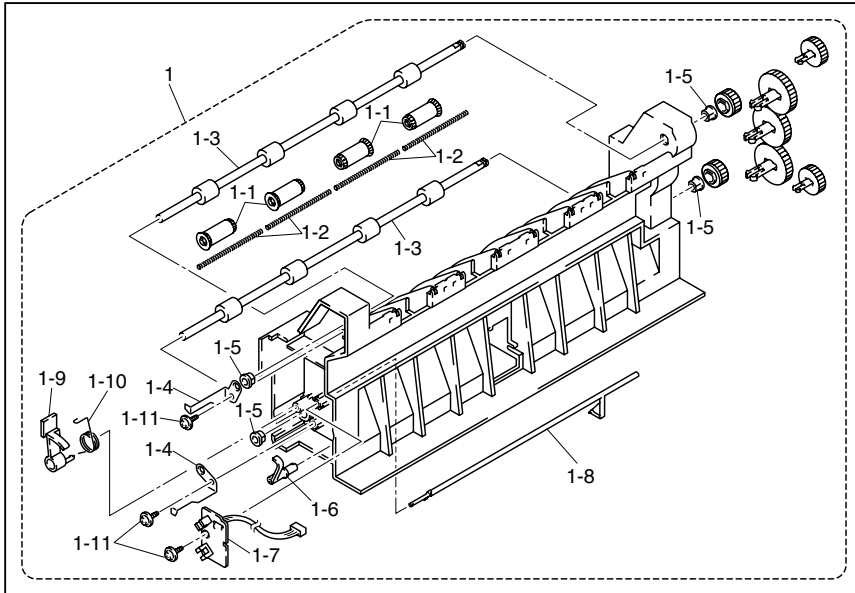
MODEL HL-2460 84T-U05-700

### 3. LASER UNIT

REF.NO.	CODE	Q'TY	DESCRIPTION	REMARK
1	LJ0935001	1	SCANNER UNIT (SP)	
2	LJ0743001	1	DUST GUARD PLATE ASSY	
3	LJ0397001	1	SHUTTER LINK	
4	LJ0914001	1	PLATE	
5	087322015	4	TAPTITE, CUP S M3X20	

MODEL HL-2460 84TU-05-700

### 4. PAPER EJECT



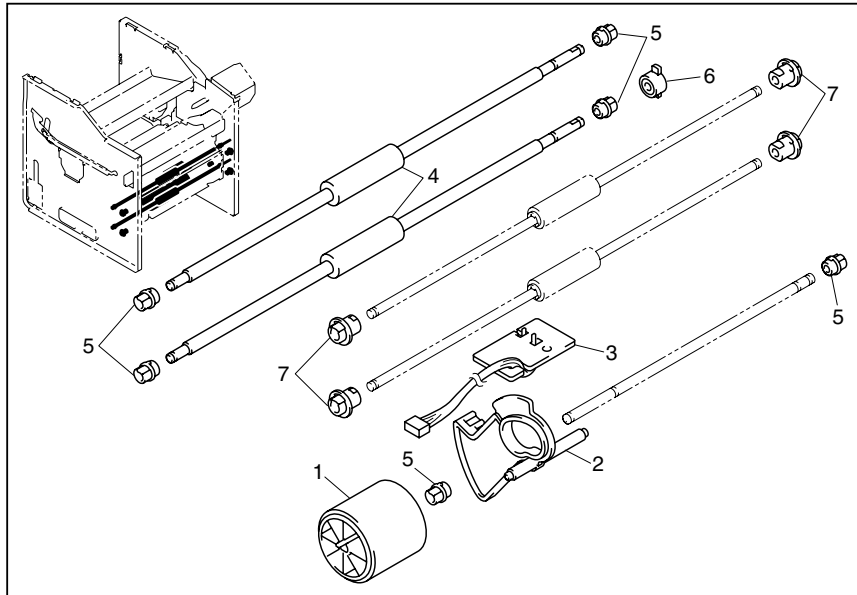
MODEL HL-2460 84T-U05-420

### 4. PAPER EJECT

REF.NO.	CODE	Q'TY	DESCRIPTION	REMARK
1	LJ0105001	1	PAPER EJECT UNIT	
1-1	UH3323001	4	EJECT PINCH ROLLER ASSY	
1-2	UH3948001	4	PINCH SPRING	
1-3	LJ0668001	2	EJECT ROLLER ASSY	
1-4	LJ0657001	2	EJECT ROLLER GROUND PLATE	
1-5	LJ0477001	4	BEARING 6	
1-6	LJ0718001	1	REAR ACTUATOR 4	
1-7	LJ0665001	1	REAR TRAY PCB ASSY	
1-8	LJ0110001	1	REAR ACTUATOR 3	
1-9	LJ0111001	1	REAR TRAY ACTUATOR	
1-10	LJ0112001	1	REAR TRAY ACTUATOR SPRING	
1-11	087310815	3	SCREW, CUP B TITE 3X8	

MODEL HL-2460 84T-U05-420

### 5. PAPER FEED



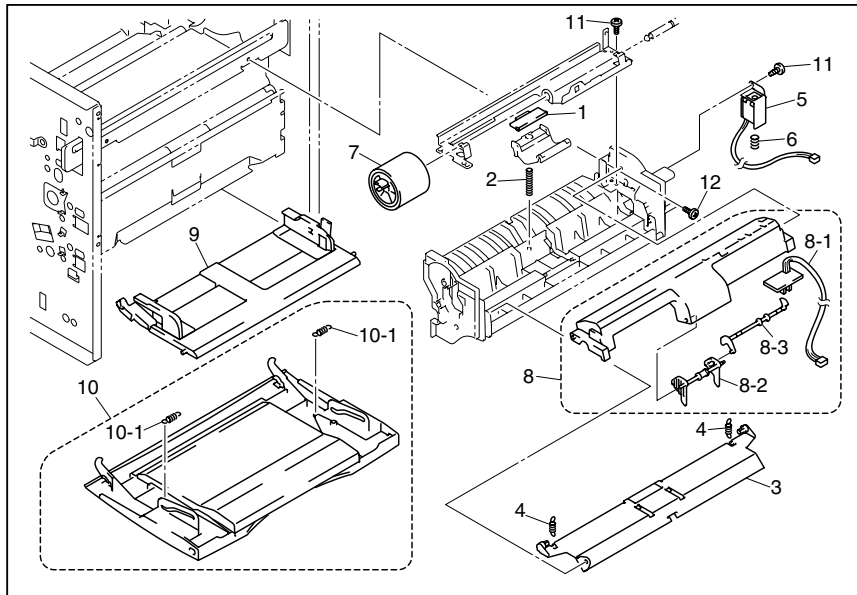
MODEL HL-2460 84T-U05-600

### 5. PAPER FEED

REF.NO.	CODE	Q'TY	DESCRIPTION	REMARK
1	LJ0270001	1	PAPER FEED ROLLER ASSY 45 *1	*1 A component part of the PAPER FEEDING KIT. Refer to "18. PERIODICAL MAINTENANCE PARTS".
2	LJ0273001	1	PE SENSOR ACTUATOR	
3	LJ8542001	1	TRAY PE SENSOR PCB ASSY	
4	LJ0277001	2	PAPER FEED ROLLER ASSY	
5	LJ0279001	6	BEARING	
6	LJ0717001	1	ONEWAY CLUTCH	
7	LJ0284001	4	PAPER FEED ROLLER BEARING	

MODEL HL-2460 84TU-05-600

### 6. MP TRAY



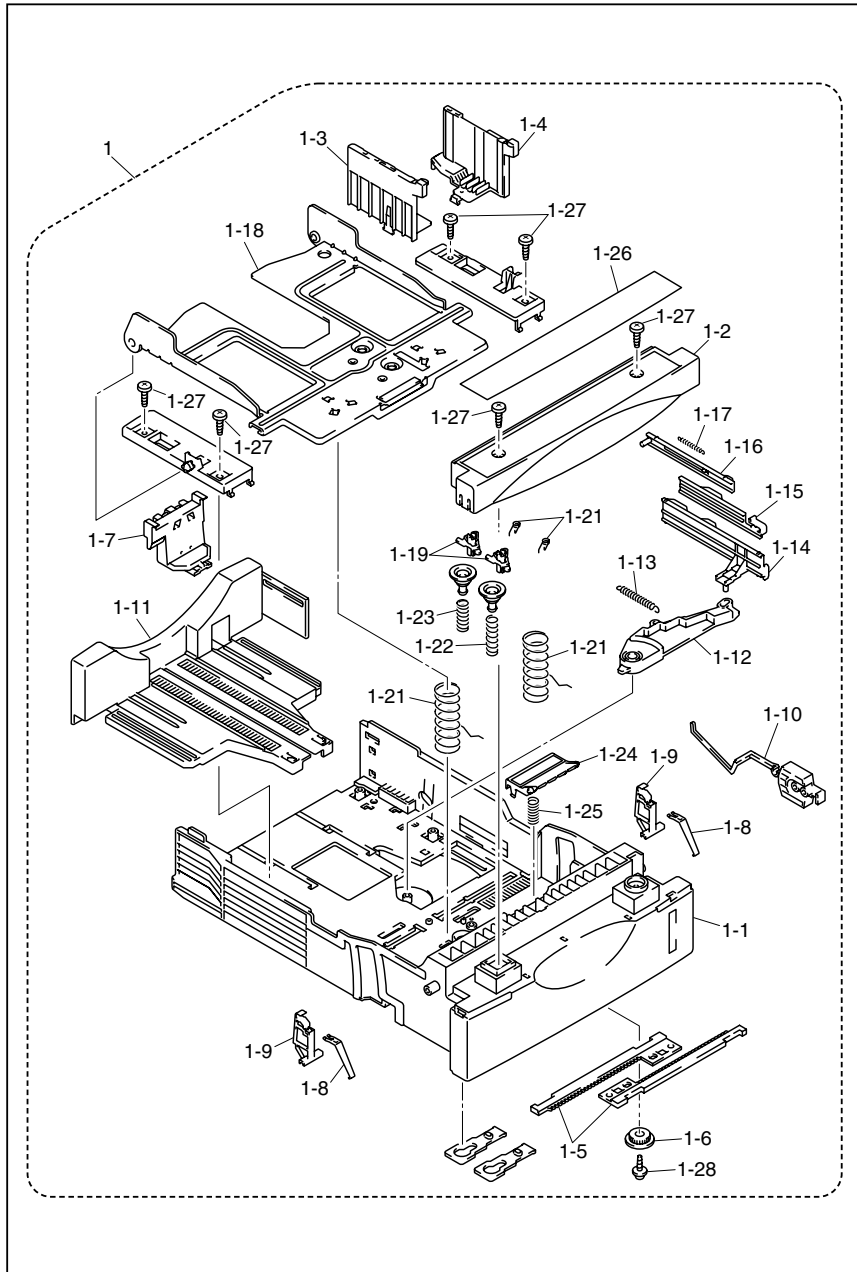
MODEL HL-2460 84T-U05-630

### 6. MP TRAY

REF.NO.	CODE	Q'TY	DESCRIPTION	REMARK
1	LJ0295001	1	SEPARATION PLATE ASSY MP	
2	LJ0298001	1	SEPARATION PAD SPRING MP	
3	LJ0299001	1	PLATE ASSY MP	
4	LJ0305001	2	PLATE SPRING MP	
5	LJ0307001	1	SOLENOID ASSY MP	
6	LJ0309001	1	SOLENOID SPRING MP	
7	LJ0311001	1	PAPER FEED ROLLER ASSY MP	
8	LJ0326001	1	ROLLER COVER ASSY MP	
8-1	LJ8545001	1	MP PE SENSOR PCB ASSY	
8-2	LJ0328001	1	PE SENSOR ACTUATOR MP	
8-3	LJ0329001	1	PE SENSOR ACTUATOR 2 MP	
9	LJ0330001	1	TRAY ASSY MP	
10	LJ0334001	1	TRAY COVER ASSY MP	
10-1	LJ0337001	2	TRAY COVER ROCK SPRING	
11	085310815	2	TAPTITE, BIND B M3X8	
12	085320816	1	TAPTITE, BIND S M3X8	

MODEL HL-2460 84T-U05-630

7. PAPER TRAY



MODEL HL-2460 84T-U05-650

T/I NO. PR2001044

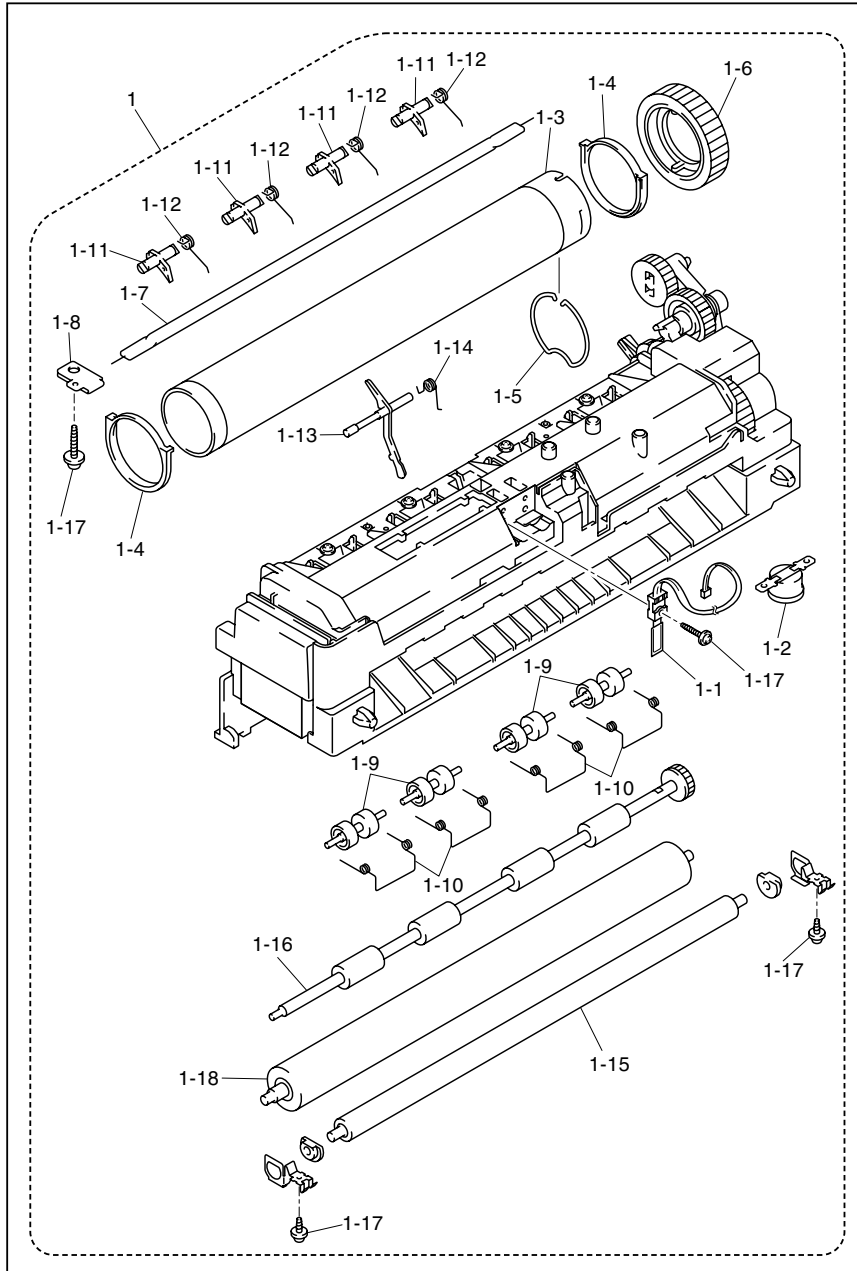
7. PAPER TRAY

REF.NO.	CODE	Q'TY	DESCRIPTION	REMARK
1	LJ0944001	1	PAPER TRAY UNIT (SP)	
1-1	LJ0340001	1	BASE TRAY	
1-2	LJ0228001	1	PAPER TRAY COVER	
1-3	LJ0341001	1	SIDE GUIDE L	
1-4	LJ0729001	1	SIDE GUIDE R ASSY *3	
1-5	LJ0819001	2	SIDE GUIDE RACK 2	
1-6	UL9081001	1	SIDE GUIDE GEAR	
1-7	LJ0664001	1	REAR GUIDE ASSY	
1-8	LJ0347001	2	SUPPORTER STOPPER SPRING	
1-9	LJ0348001	2	SUPPORTER STOPPER L	
1-10	LJ0350001	1	PAPER INDICATOR	
1-11	LJ0351001	1	EX REAR TRAY	
1-12	LJ0357001	1	SIZE DETECTION LINK	
1-13	LJ0358001	1	SIZE DETECTION LINK SPRNG	
1-14	LJ0359001	1	SIZE DETECTION CAM *3	
1-15	LJ0360001	1	TRAY 1D DETECTION CAM	
1-16	LJ0361001	1	LTR/LGL DETECTION CAM	
1-17	LJ0362001	1	LTR/LGL DETECTION CAM SPRING	
1-18	LJ0818001	1	PLATE UNIT	
1-19	LJ0370001	2	PLATE SPRING CHANGEOVER KNOB	
1-20	LJ0722001	2	PLATE SPRING	
1-21	LJ0371001	2	PLATE SPRING A	
1-22	LJ0372001	1	PLATE SPRING C	
1-23	LJ0373001	1	PLATE SPRING D	
1-24	LJ0374001	1	SEPARATION PAD ASSY *2	*2 A component part of the PAPER FEEDING KIT. Refer to "18. PERIODICAL MAINTENANCE PARTS".
1-25	LJ0377001	1	SEPARATION PAD SPRING	
1-26	LJ0809001	1	PAPER TRAY LABEL	
1-27	085411015	6	TAPTITE, BIND B M4X10	
1-28	UU0552001	1	TAPTITE, CUP B 3X8	*3 When either of the SIDE GUIDE R ASSY (LJ0729001) or the SIZE DETECTION CAM (LJ0359001) needs to be replaced, be sure to replace the both part at the same time.

MODEL HL-2460 84T-U05-650

T/I NO. PR2001044 / PR2001055

8. FIXING UNIT



MODEL HL-2460 84T-U05-770

T/I NO. PR2001044

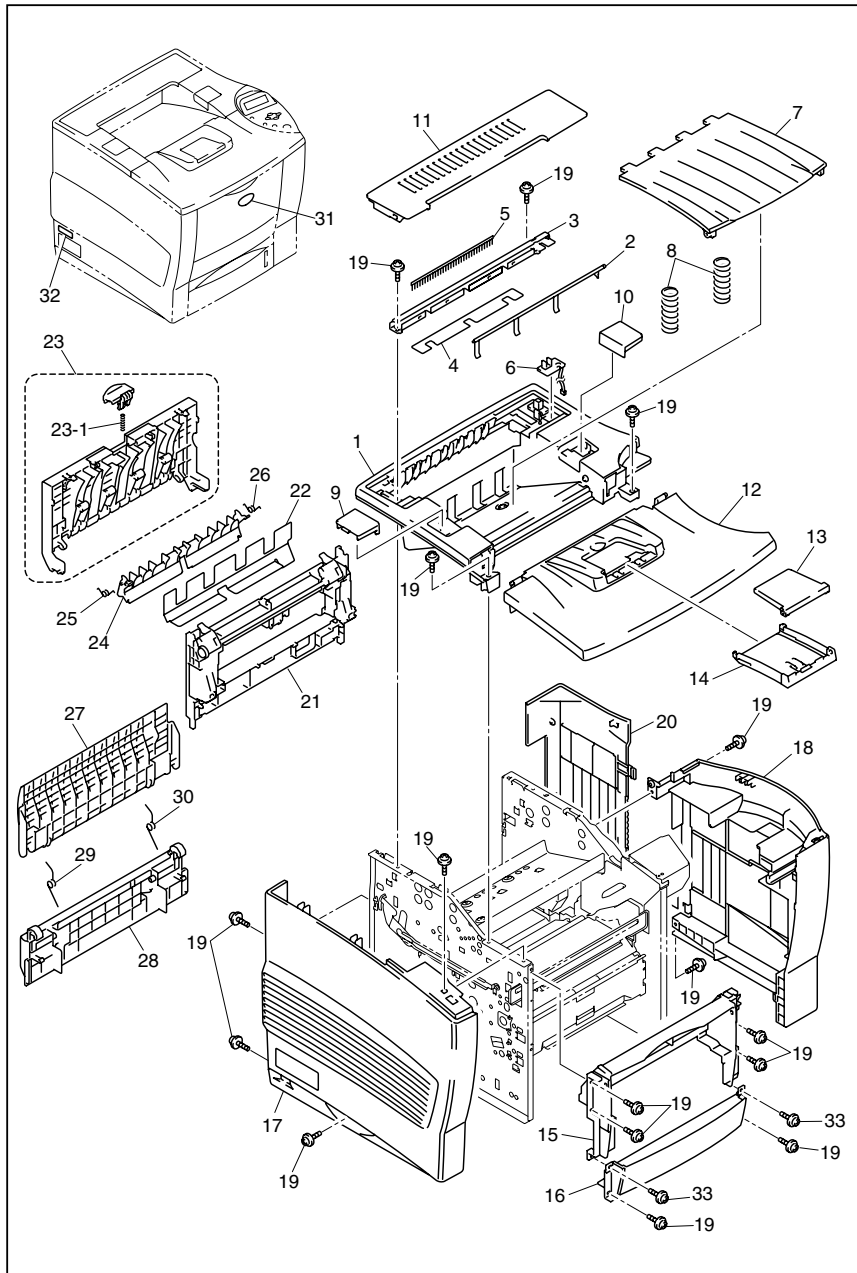
8. FIXING UNIT

REF.NO.	CODE	Q'TY	DESCRIPTION	REMARK
1	LJ0959001	1	FIXING UNIT, 115V (SP)	
1	LJ0963001	1	FIXING UNIT, 230V (SP)	
1-1	LJ0994001	1	THERMISTOR ASSY B	
1-2	LJ0402001	1	THERMOSTAT	
1-3	LJ0965001	1	HEAT ROLLER 34 (SP)	
1-4	LJ0411001	2	H/R BEARING 34	
1-5	LJ0412001	1	HEAT ROLLER STOP RING	
1-6	LJ0413001	1	H/R GEAR 30	
1-7	LJ0966001	1	FIXING HEATER 115 ASSY (SP)	
1-7	LJ0967001	1	FIXING HEATER 230 ASSY (SP)	
1-8	LJ0415001	1	POWER FEED PLATE	
1-9	LJ0772001	4	EJECT PRESSURE ROLLER F	
1-10	LJ0424001	4	PRESSURE SPRING	
1-11	LJ0427001	4	SEPARATE PAWL	
1-12	LJ0428001	4	SEPARATE PAWL SPRING	
1-13	LJ0429001	1	FU ACTUATOR	
1-14	LJ0430001	1	FU ACTUATOR SPRING	
1-15	LJ0773001	1	CLEANER ROLLER ASSY	
1-16	LJ0109001	1	EJECT ROLLER ASSY	
1-17	087311415	2	TAPTITE, CUP B M3X14	
1-18	LJ0435001	1	PRESSURE ROLLER	

MODEL HL-2460 84T-U05-770

T/I NO. PR2001044 / PR2001059

9. COVERS / LABELS



MODEL HL-2460 84T-U05-400/670

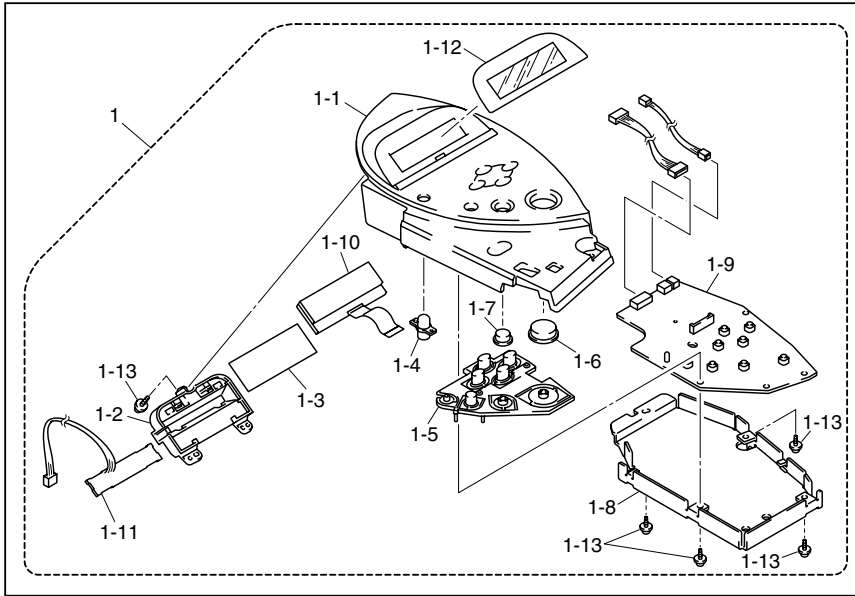
9. COVERS / LABELS

REF.NO.	CODE	Q'TY	DESCRIPTION	REMARK
1	LJ0062001	1	TOP COVER	
2	LJ0063001	1	PAPER ACTUATOR	
3	LJ0064001	1	ACTUATOR PLATE	
4	LJ0830001	1	ACTUATOR PLATE FILM	
5	LJ0065001	1	EJECT DISCHARGING BRUSH	
6	LJ8522001	1	FULL SENSOR PCB ASSY	
7	LJ0066001	1	SWING PAPER TRAY	
8	LJ0067001	2	SWING PAPER TRAY SPRING	
9	LJ0068001	1	MX CAP B	
10	LJ0069001	1	MX CAP C	
11	LJ0070001	1	MX CAP A	
12	LJ0071001	1	OPEN COVER	
13	UH1540001	1	PAPER STOPPER	
14	UH1541002	1	PAPER STOPPER GUIDE	
15	LJ0072001	1	FRONT COVER 1	
16	LJ0073001	1	FRONT COVER 2	
17	LJ0074001	1	SIDE COVER L	
18	LJ0075001	1	SIDE COVER R 1	
19	087320816	16	TAPTITE, CUP S M3X8	
20	LJ0076001	1	SIDE COVER R 2	
21	LJ0077001	1	REAR COVER ASSY	
22	LJ0913001	1	REAR FILM	
23	LJ0085001	1	REAR TRAY ASSY	
23-1	LJ0093001	1	ROCK SPRING	
24	LJ0094001	1	FLAP	
25	LJ0095001	1	FLAP SPRING L	
26	LJ0096001	1	FLAP SPRING R	
27	LJ0804001	1	FU PROTECTION COVER UPPER	
28	LJ0805001	1	FU PROTECTION COVER LOWER	
29	LJ0806001	1	FU PROTECTION COVER SPRING L	
30	LJ0807001	1	FU PROTECTION COVER SPRING R	
31	LJ5030001	1	BROTHER EMBLELM	
32	UH0905001	1	PATENT LABEL	
32	LJ4421001	1	MARKING LABEL N/S	
32	LJ4541001	1	HOT LINE LABEL	
32	UH3297001	1	C-TICK MARK	
33	087321015	2	TAPTITE, CUP S M3X10	

MODEL HL-2460 84T-U05-400/670



10. SWITCH PANEL



MODEL HL-2460 84T-U05-410

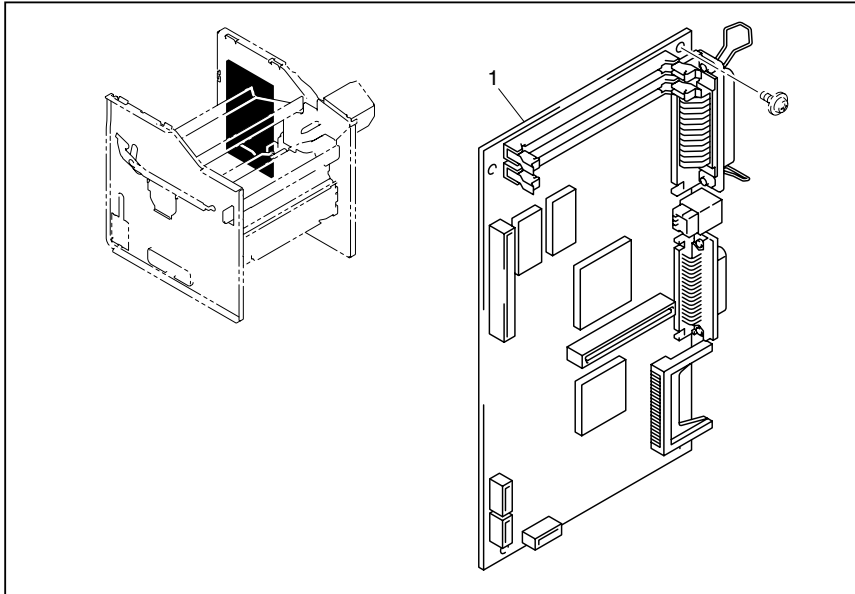
10. SWITCH PANEL

REF.NO.	CODE	Q'TY	DESCRIPTION	REMARK
1	LJ0098001	1	SW PANEL UNIT	
1	LJ0982001	1	SW PANEL UNIT NB	
1-1	LJ0849001	1	PRINTED PANEL COVER	
1-2	LJ0100001	1	LCD HOLDER	
1-3	LJ0456001	1	DIFFUSION FILM	
1-4	LJ5296001	1	PANEL LIGHT GUIDE	
1-5	LJ5297001	1	KEY	
1-6	LJ5298001	1	KEY TOP A	
1-7	LJ5299001	1	KEY TOP B	
1-8	LJ0103001	1	PANEL REAR COVER	
1-9	LJ8525001	1	PANEL PCB ASSY	
1-10	LJ8529001	1	LCD:LMG16D2	
1-11	LJ8362001	1	BACK LIGHT PCB ASSY	
1-12	LJ0730001	1	CLEAR PANEL ASSY	
1-12	LJ0983001	1	CLEAR PANEL ASSY NB	
1-13	087310816	5	TAPTITE, CUP B M3X8	

MODEL HL-2460 84T-U05-410

T/I NO. PR2001056

11. MAIN PCB



MODEL HL-2460 84T-U05-103

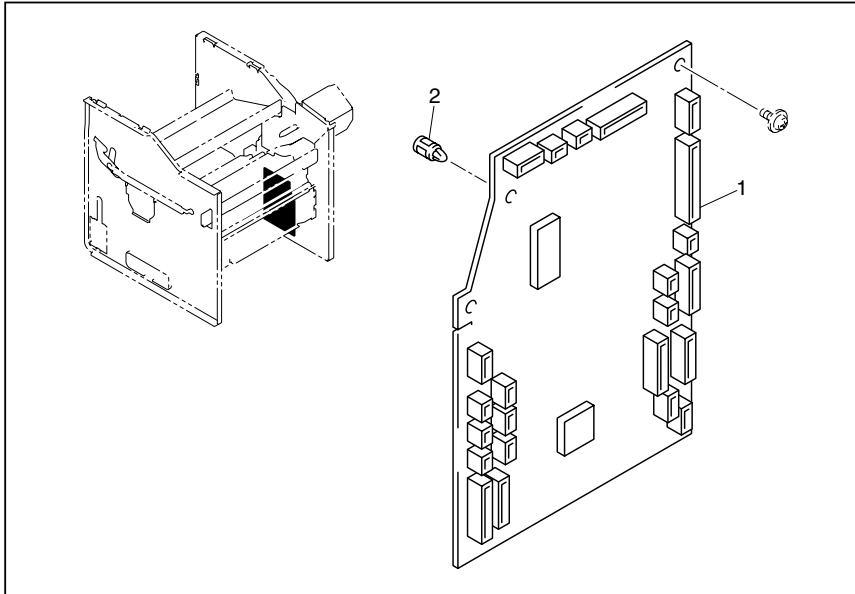
11. MAIN PCB

REF.NO.	CODE	Q'TY	DESCRIPTION	SYMBOL	REMARK
1	LJ0048001	1	MAIN PCB ASSY, HL-2460	B512120-200J	

MODEL HL-2460 84T-U05-103

T/I NO. PR2001057

12. ENGINE PCB



MODEL HL-2460 84T-U05-104

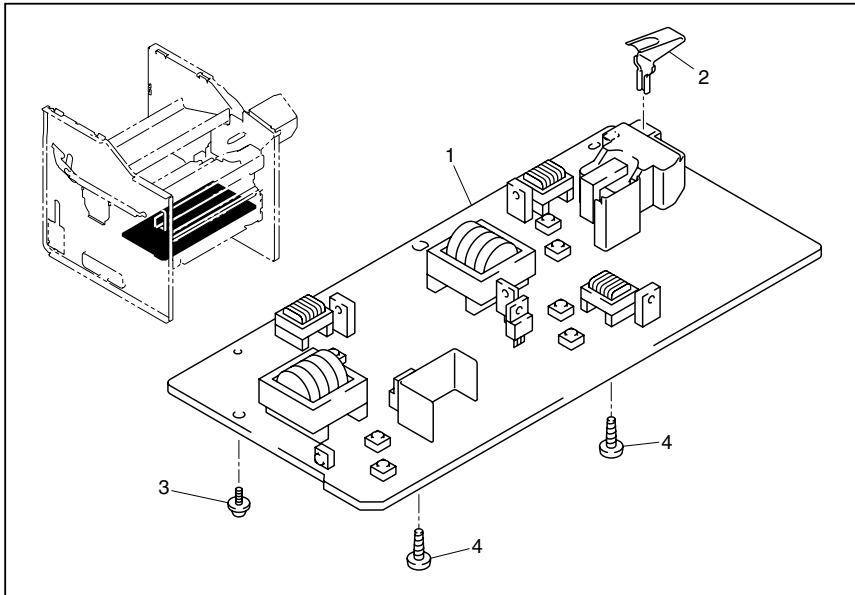
12. ENGINE PCB

REF.NO.	CODE	Q'TY	DESCRIPTION	SYMBOL	REMARK
1	LJ8501001	1	ENGINE PCB ASSY, 2460	B512088-200J	
2	LJ0821001	1	ENGINE PCB SUPPORT		

MODEL HL-2460 84T-U05-104

T/I NO. PR2001057

13. HIGH-VOLTAGE POWER SUPPLY PCB



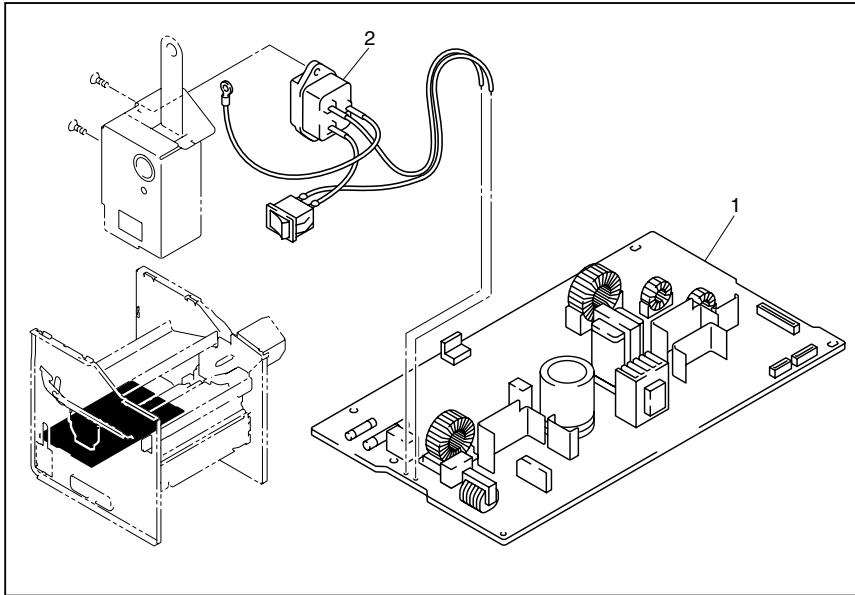
MODEL HL-2460 84T-U05-200

13. HIGH-VOLTAGE POWER SUPPLY PCB

REF.NO.	CODE	Q'TY	DESCRIPTION	SYMBOL	REMARK
1	LJ8519001	1	HVPS PCB ASSY, 2460		
2	LJ0051001	1	TRANSFER PLATE		
3	087320616	1	TAPTITE, CUP S M3X6		
4	085411015	2	TAPTITE, BIND B M4X10		

MODEL HL-2460 84T-U05-200

14. LOW-VOLTAGE POWER SUPPLY PCB



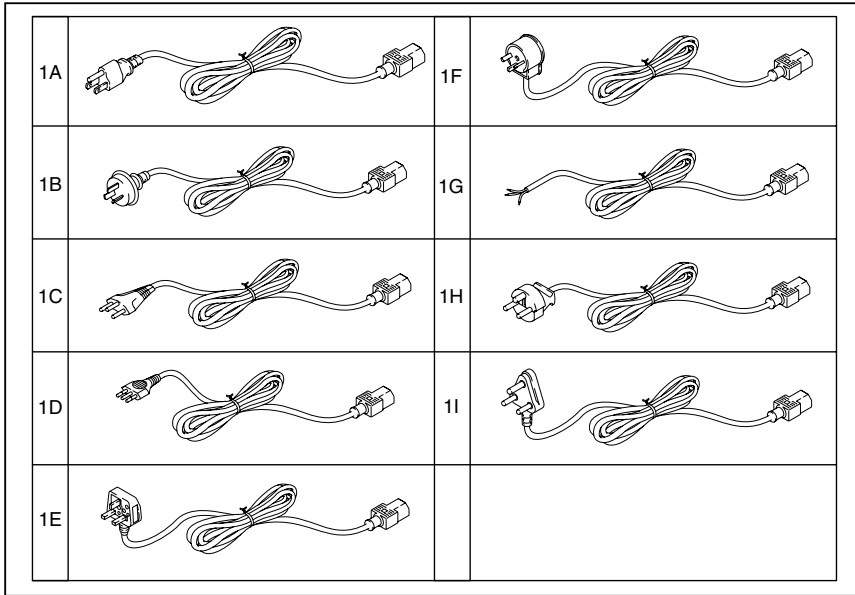
MODEL HL-2460 84T-U05-300

14. LOW-VOLTAGE POWER SUPPLY PCB

REF.NO.	CODE	Q'TY	DESCRIPTION	SYMBOL	REMARK
1	LJ8551001	1	MAIN LVPS PCB ASSY 2460, 115V		
1	LJ8520001	1	MAIN LVPS PCB ASSY 2460, 230V		
2	LJ0457001	1	INLET UNIT 2460, 115V		
2	LJ0052001	1	INLET UNIT 2460, 230V		

MODEL HL-2460 84T-U05-300

15. AC CORDS



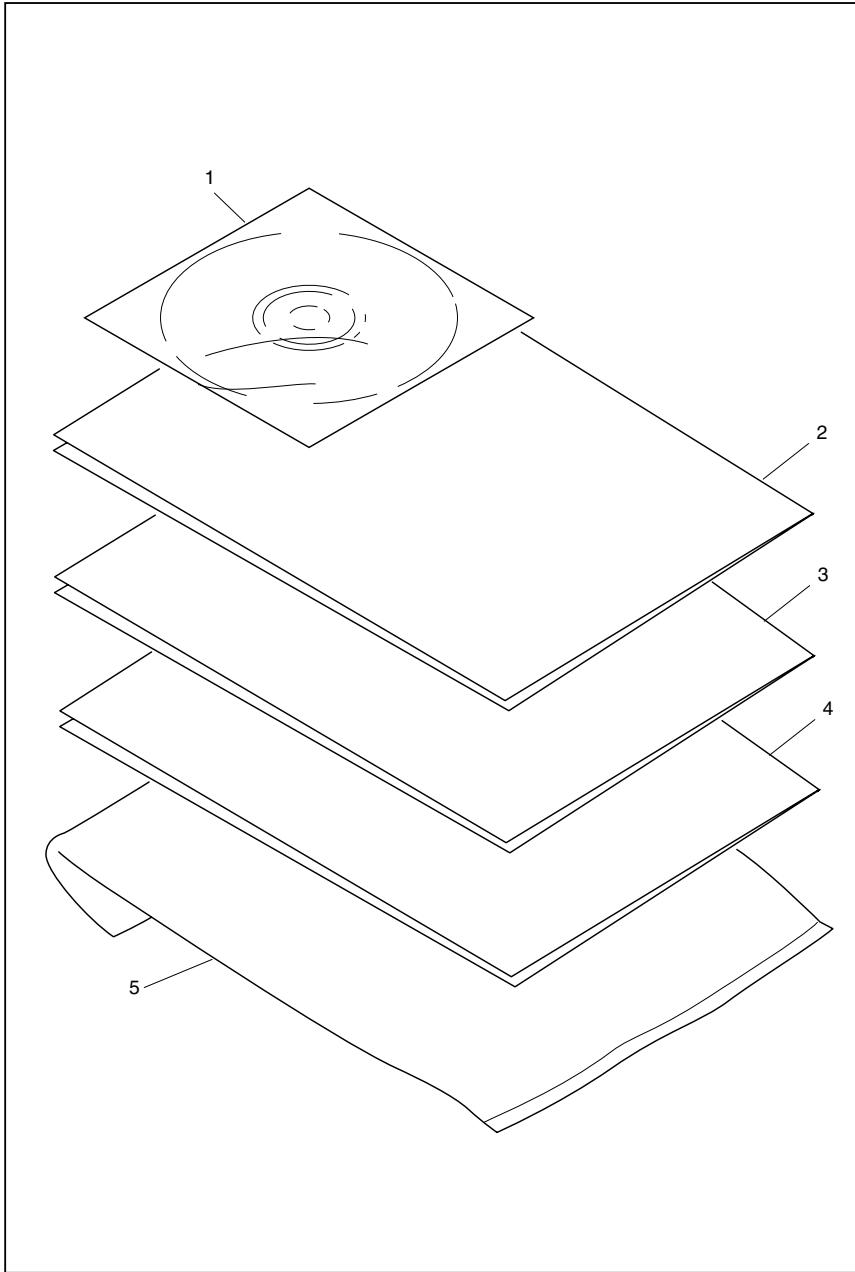
MODEL HL-2460 84T-U05-050

15. AC CORDS

REF.NO.	CODE	Q'TY	DESCRIPTION	SYMBOL	REMARK
1A	UH1051001	1	AC CORD, UL/CSA		
1B	UK4503001	1	AC CORD ASSY, SAA		
1C	UK4502001	1	AC CORD ASSY, SEV		
1D	UK4099001	1	AC CORD, CHLI		
1E	UH1054001	1	AC CORD, BS		
1F	U34322001	1	AC CORD #6, ISRAEL		
1G	UK4094001	1	AC CORD, DEMKO		
1H	UK4501001	1	AC CORD ASSY, VDE		
1I	LJ8288001	1	AC CORD ASSY, SOUTH AFRICA		

MODEL HL-2460 84T-U05-050

16. ACCESSORIES



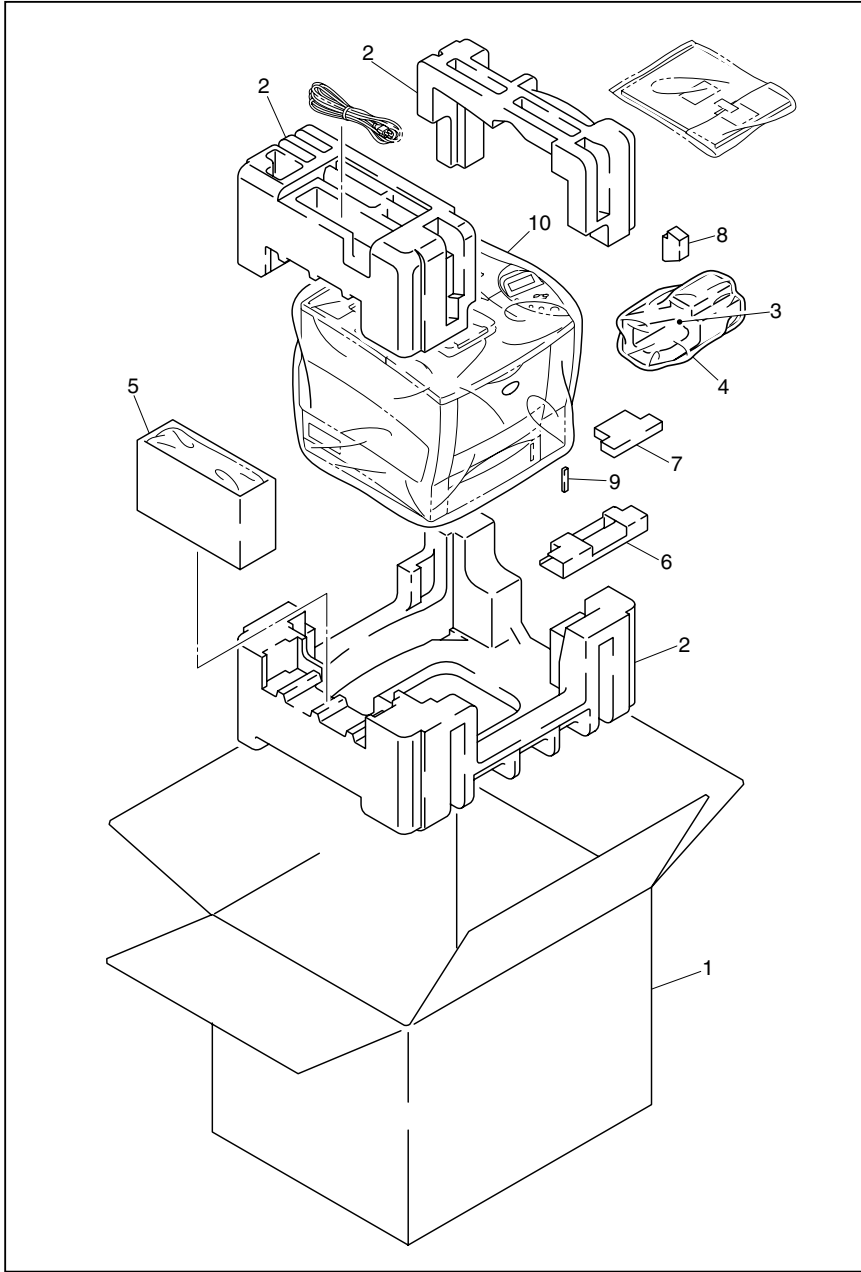
MODEL HL-2460 84T-U05-920

16. ACCESSORIES

REF.NO.	CODE	Q'TY	DESCRIPTION	REMARK
1	LJ0441001	1	CD ASSY	
2	LJ0463001	1	SET UP GUIDE, USA	
2	LJ0685001	1	SET UP GUIDE FRA	
2	LJ0442001	1	SET UP GUIDE GER	
2	LJ0720001	1	SET UP GUIDE NOR	
2	LJ0686001	1	SET UP GUIDE NL	
2	LJ0726001	1	SET UP GUIDE DEN	
2	LJ0690001	1	SET UP GUIDE SPA	
2	LJ0687001	1	SET UP GUIDE ITA	
2	LJ0725001	1	SET UP GUIDE SWE	
3	LJ0741001	1	SOFT GUIDE US	
3	LJ0734001	1	SOFT GUIDE FRA	
3	LJ0770001	1	SOFT GUIDE GER	
3	LJ0738001	1	SOFT GUIDE NOR	
3	LJ0735001	1	SOFT GUIDE NL	
3	LJ0740001	1	SOFT GUIDE DEN	
3	LJ0737001	1	SOFT GUIDE SPA	
3	LJ0736001	1	SOFT GUIDE ITA	
3	LJ0739001	1	SOFT GUIDE SWE	
4	LJ5631001	1	NETWORK SET UP GUIDE US	
4	LJ5633001	1	NETWORK SET UP GUIDE FRA	
4	LJ5632001	1	NETWORK SET UP GUIDE GER	
4	LJ5638001	1	NETWORK SET UP GUIDE NOR	
4	LJ5634001	1	NETWORK SET UP GUIDE NL	
4	LJ5635001	1	NETWORK SET UP GUIDE DEN	
4	LJ5636001	1	NETWORK SET UP GUIDE SPA	
4	LJ5637001	1	NETWORK SET UP GUIDE ITA	
4	LJ5639001	1	NETWORK SET UP GUIDE SWE	
5	LJ4961001	1	BAG, 215X350H	

MODEL HL-2460 84T-U05-920

17. PACKING MATERIALS



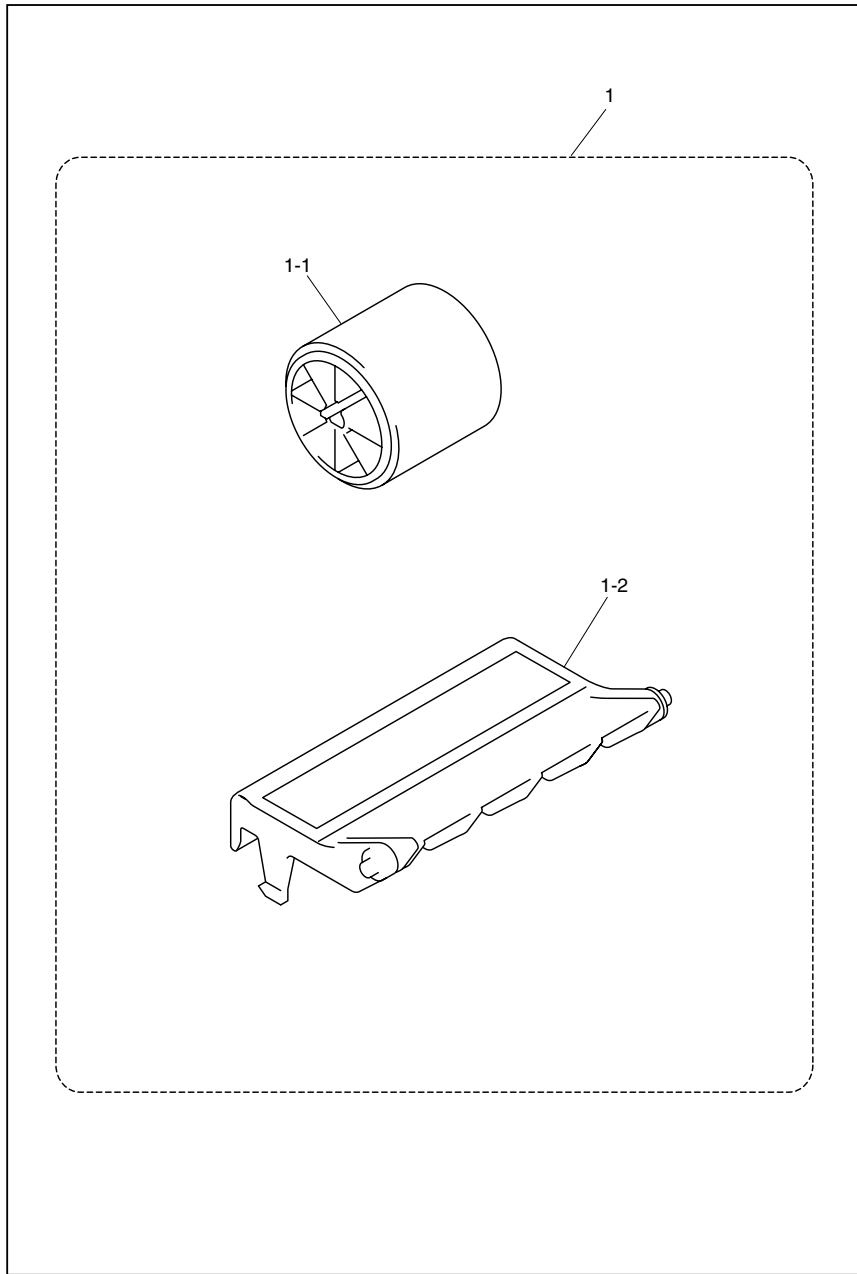
MODEL HL-2460 84T-U05-930

17. PACKING MATERIALS

REF.NO.	CODE	Q'TY	DESCRIPTION	REMARK
1	LJ0879001	1	CARTON, HL-2460	
1	LJ0972001	1	CARTON, HL-2460 NB	
2	LJ0445001	1	STYROFOAM ASSY	
3	LJ0851001	1	PLATE HOLDER SF	
4	LJ0900001	1	BAG, 300X360H	
5	LJ0856001	1	CARTRIDGE CARTON	
6	LJ0449001	1	TRAY HOLD PAD	
7	LJ0973001	1	SPACER MP	
8	LJ0852001	1	SWING PAPER TRAY HOLDER	
9	LJ0894001	1	INDICATER SPONGE	
10	LJ0763001	1	BAG, 1000X1000H	

MODEL HL-2460 84T-U05-930

18. PERIODICAL MAINTENANCE PARTS



MODEL HL-2460 84T-U05

18. PERIODICAL MAINTENANCE PARTS

REF.NO.	CODE	Q'TY	DESCRIPTION	REMARK
1	LJ0977001	1	PAPER FEEDING KIT	
1-1	LJ0270001	1	PAPER FEED ROLLER ASSY 45 *1	
1-2	LJ0374001	1	SEPARATION PAD ASSY *2	
			*1 Refer to "5. PAPER FEED".	
			*2 Refer to "7. PAPER TRAY".	

MODEL HL-2460 84T-U05