

SCHEMATIC DIAGRAM (Parts list on pages 61~66.)

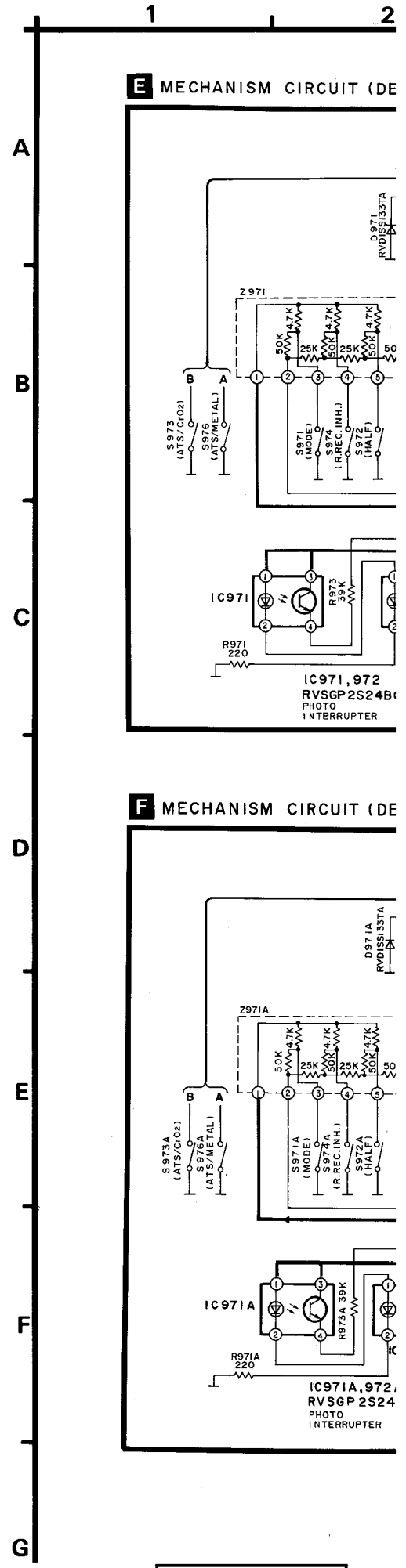
(This schematic diagram may be modified at any time with the development of new technology.)

Note 1:

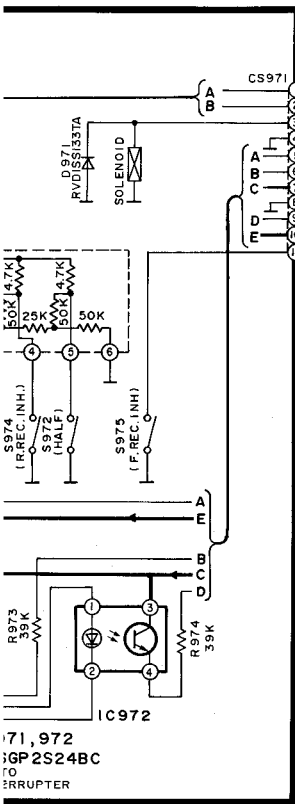
- S601 : Voltage selector in "240V" position. (For [GC] area only.) (110V ↔ 127V ↔ 220V ↔ 240V)
- S701 : DECK 2 Stop switch (■).
- S702 : DECK 2 Forward-side playback switch (▶).
- S703 : DECK 2 Reverse-side playback switch (◀).
- S704 : DECK 2 Fast-forward search switch (▶▶ TPS).
- S705 : DECK 2 Rewind search switch (◀◀ TPS).
- S706 : DECK 2 Open/close switch (▲ OPEN/CLOSE).
- S707 : DECK 2 Record switch (● REC).
- S708 : DECK 2 Pause switch (■ PAUSE).
- S709 : DECK 2 Automatic-record-muting switch (● AUTO REC MUTE).
- S710 : Auto tape calibration switch (ATC).
- S711 : DECK 1 Counter reset switch (COUNTER 1 RESET)
- S712 : Power "STANDBY ⚡ /ON" switch (POWER, STANDBY /ON).
- S713 : DECK 1 Stop switch (■).
- S714 : DECK 1 Forward-side playback switch (▶).
- S715 : DECK 1 Reverse-side playback switch (◀).
- S716 : DECK 1 Fast-forward search switch (▶▶ TPS).
- S717 : DECK 1 Rewind search switch (◀◀ TPS).
- S718 : DECK 1 Open/close switch (▲ OPEN/CLOSE).
- S719 : DECK 1 Record switch (● REC).
- S720 : DECK 1 Pause switch (■ PAUSE).
- S721 : DECK 1 Automatic-record-muting switch (● AUTO REC MUTE).
- S722 : Auto tape calibration switch (ATC).
- S723 : DECK 2 Counter reset switch (COUNTER 2 RESET).
- S724 : Dolby noise-reduction switch (DOLBY NR; [D], [C]).
- S725 : Synchro-start switch (SYNCHRO START).
- S726 : Tape-to-tape recording-speed switch (SPEED; X1, X2).
- S727 : Reverse-mode select switch (REVERSE MODE).
- S803 : DECK 2 Cassette holder open detection switch in "off" position.
- S804 : DECK 2 Cassette holder close detection switch in "off" position.
- S853 : DECK 1 Cassette holder open detection switch in "off" position.
- S854 : DECK 1 Cassette holder close detection switch in "off" position.
- S971 : DECK 1 Mode switch in "off" position.
- S971A : DECK 2 Mode switch in "off" position.
- S972 : DECK 1 Half switch in "off" position.
- S972A : DECK 2 Half switch in "off" position.
- S973 : DECK 1 ATS (CrO₂) switch in "off" position.
- S973A : DECK 2 ATS (CrO₂) switch in "off" position.
- S974 : DECK 1 Reverse rec. inhibit switch in "off" position.
- S974A : DECK 2 Reverse rec. inhibit switch in "off" position.
- S975 : DECK 1 Forward rec. inhibit switch in "off" position.
- S975A : DECK 2 Forward rec. inhibit switch in "off" position.
- S976 : DECK 1 ATS (Metal) switch in "off" position.
- S976A : DECK 2 ATS (Metal) switch in "off" position.
- Resistance are in ohms (Ω), 1/4 watt (W) unless specified otherwise.
1K=1,000 (Ω), 1M=1,000k (Ω)
- Capacity are in micro-farads (μF) unless specified otherwise.
- All voltage values shown in circuitry are under no signal condition and playback mode with volume control at minimum position otherwise specified.
() Voltage values at record mode.
- For measurement us EVM.
- Important safety notice
Components identified by Δ mark have special characteristics important for safety. When replacing any of these components, use only manufacturer's specified parts.
- (———— +B ————) indicates +B (bias).
- (- - - - -B - - - -) indicates -B (bias).
- (———— → ————) indicates the flow of the playback signal.
- (———— ← ————) indicates the flow of the record signal.
- The supply part number is described alone in the replacement parts list,

Ref. No.	Production Part No.	Supply Part No.
IC4	M5218AL	M5218L
IC152	XLU2040F-T2	XLU2040F-T1
IC302, 352	BA4560FT1	SVIBA4560FT1

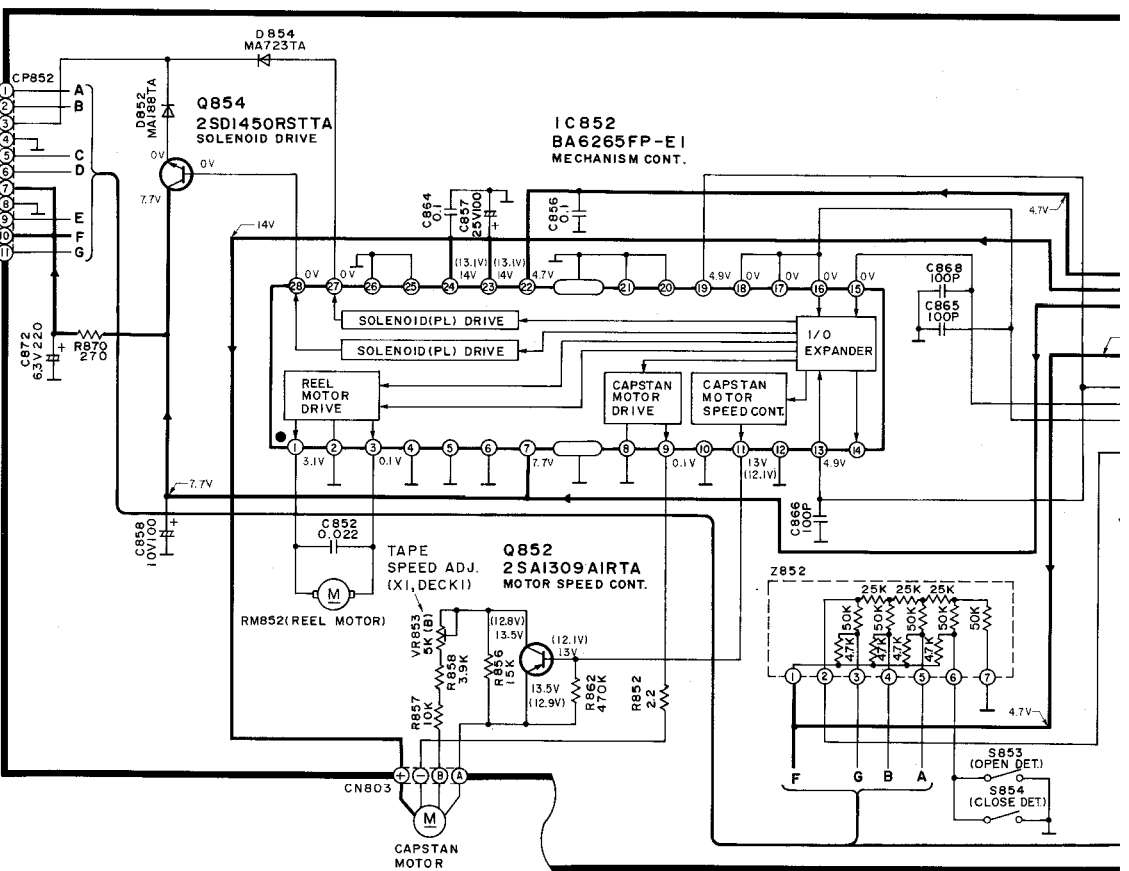
※ marks indicate printed resistor.



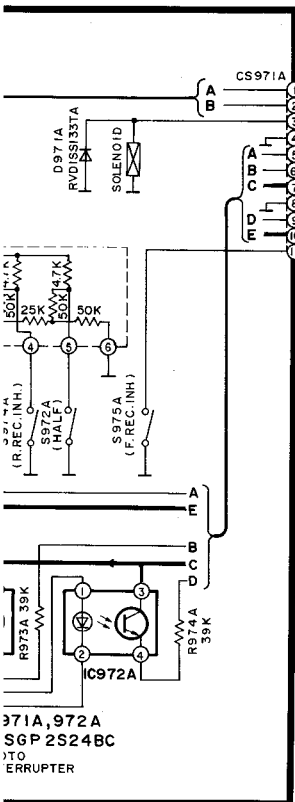
UNIT (DECK 1)



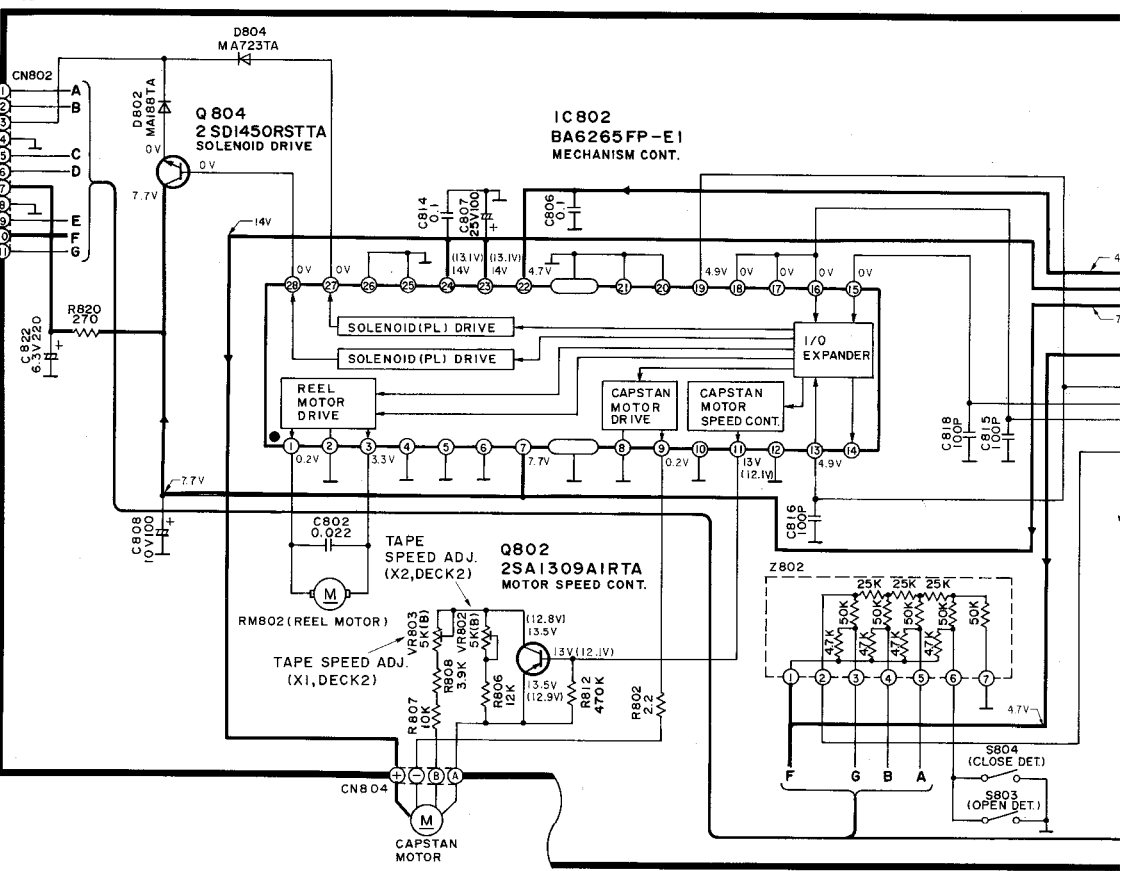
B MOTOR CIRCUIT (DECK 1)



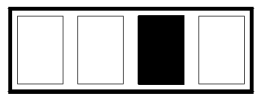
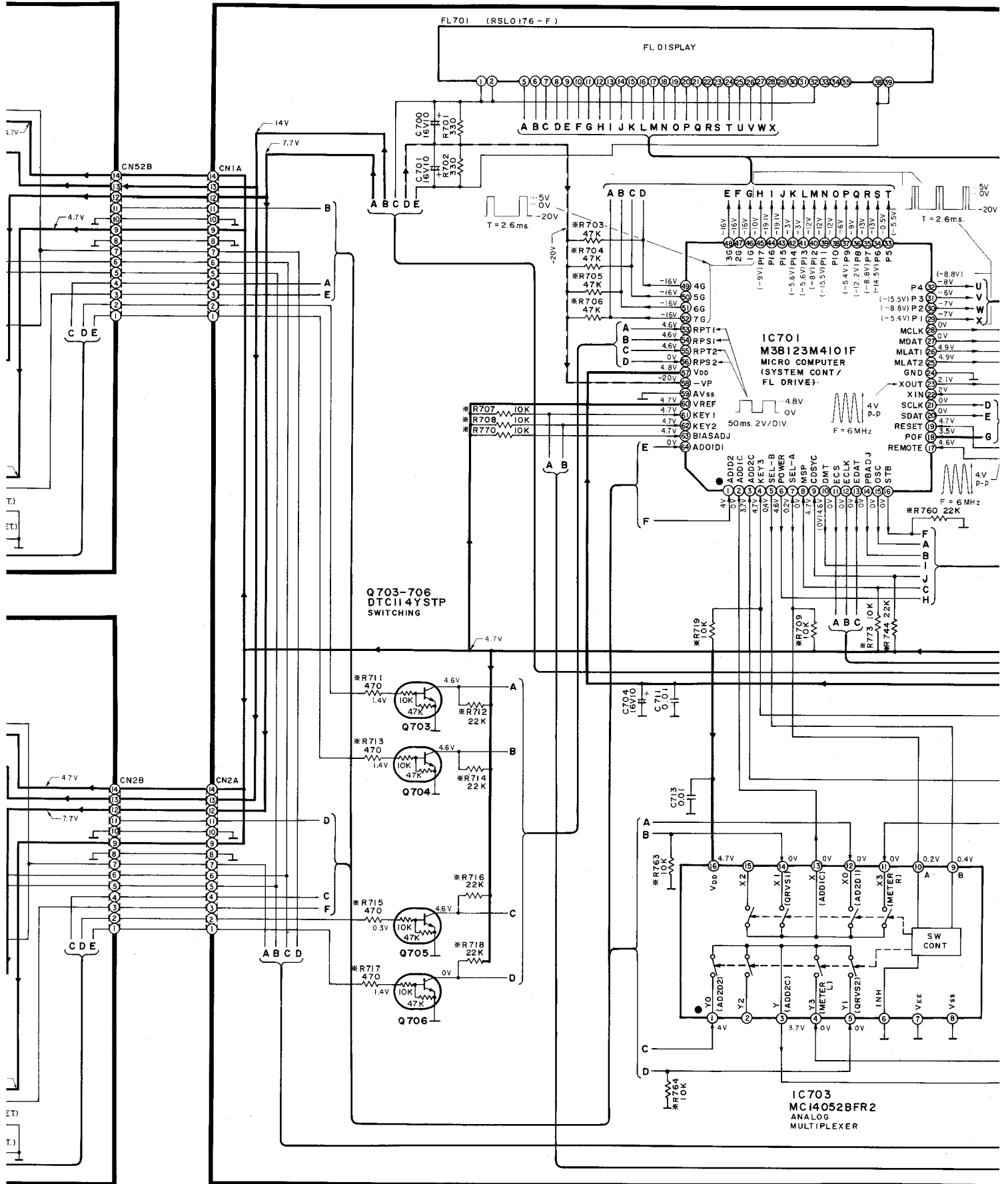
UNIT (DECK 2)

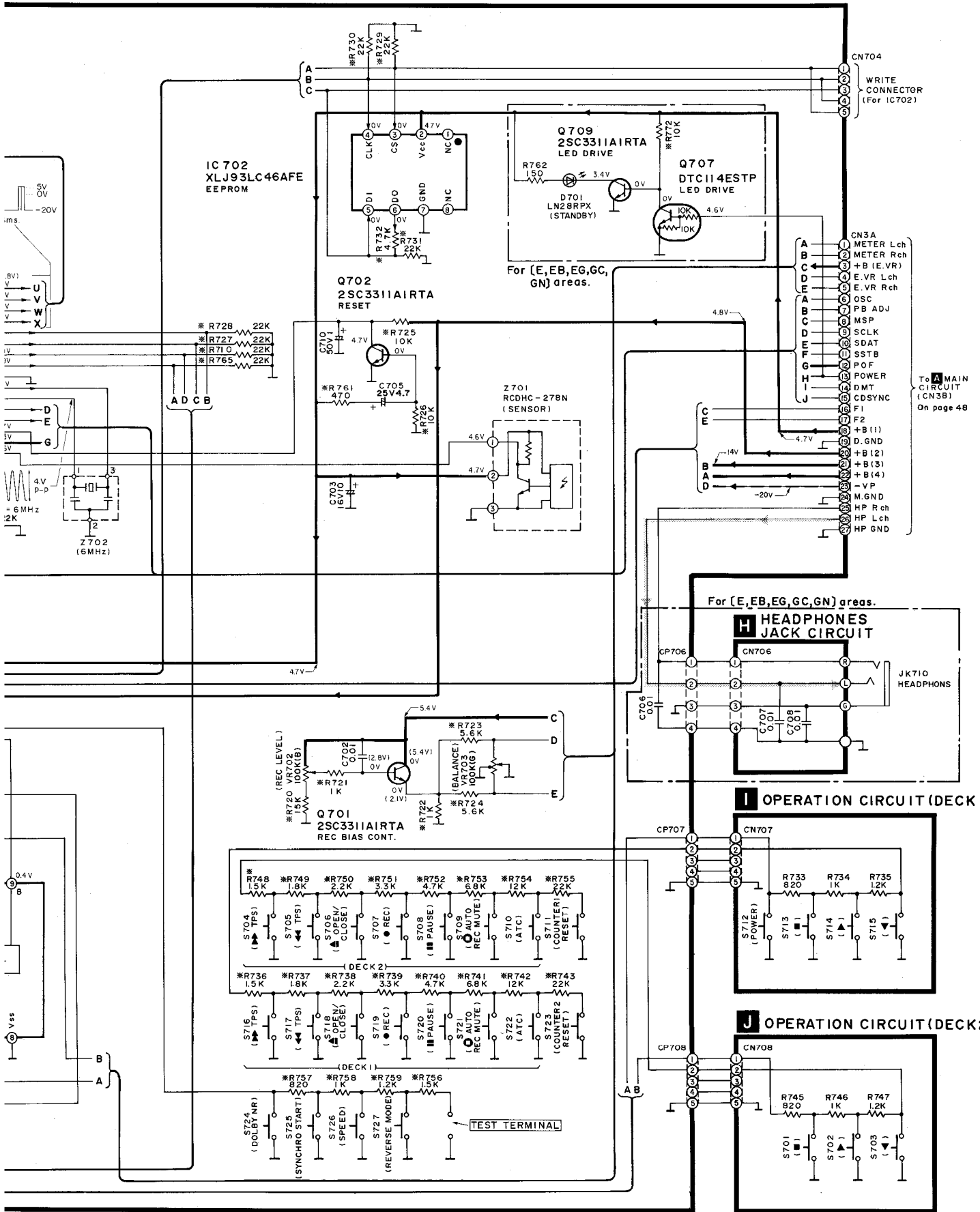


C MOTOR CIRCUIT (DECK 2)



FL CIRCUIT

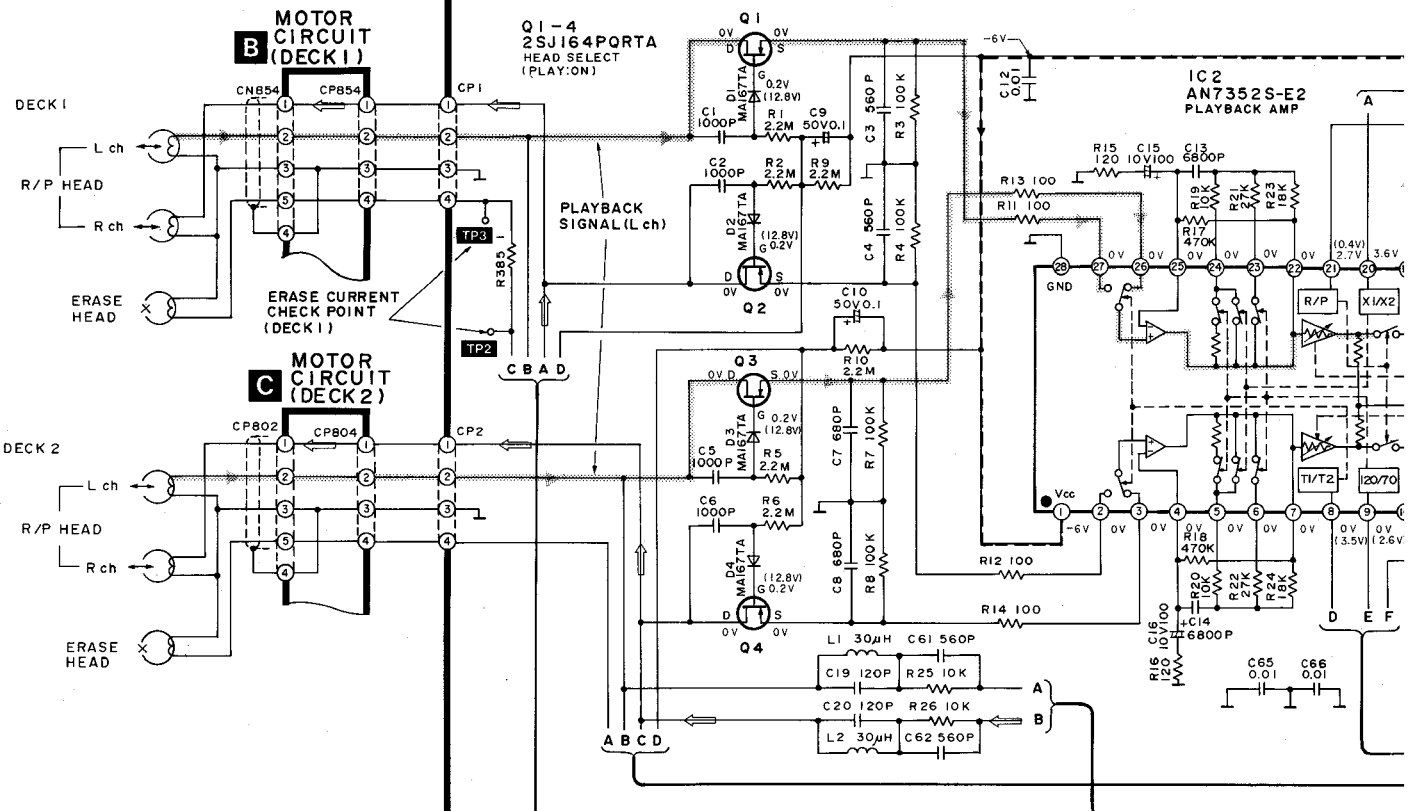




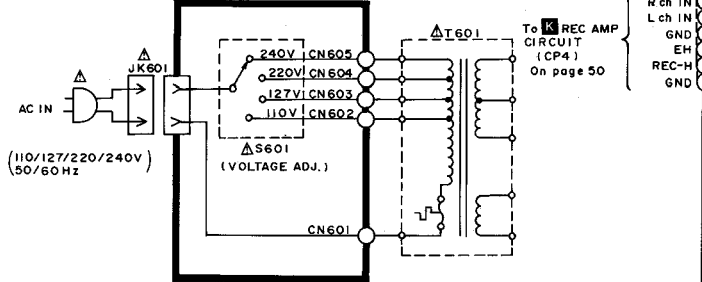
To MAIN CIRCUIT (CN3B) On page 48



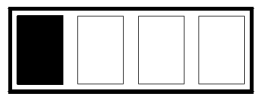
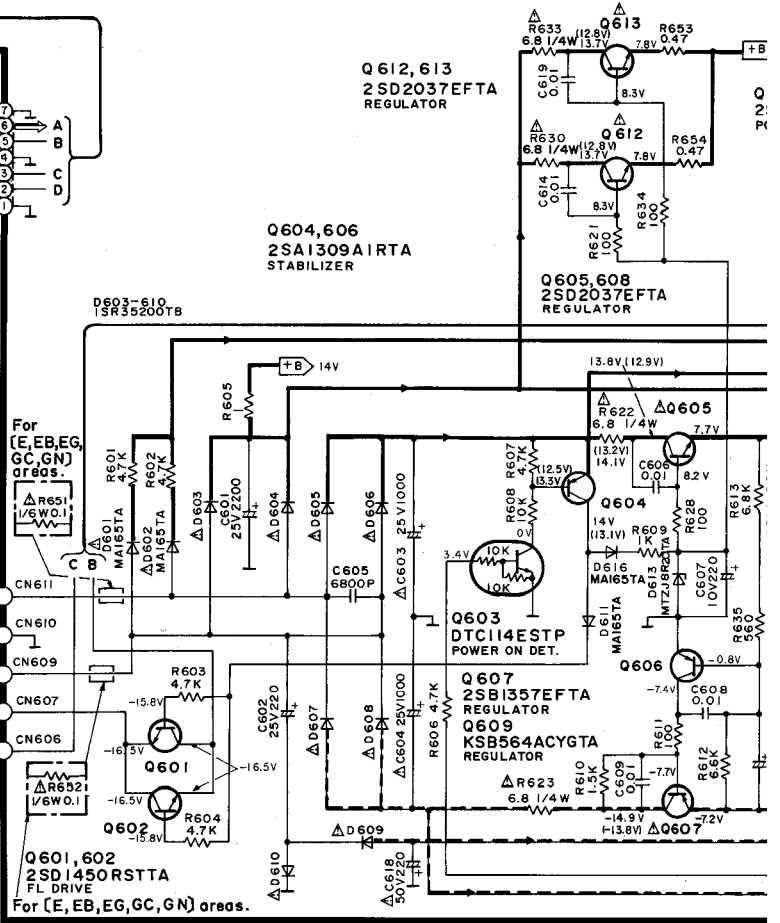
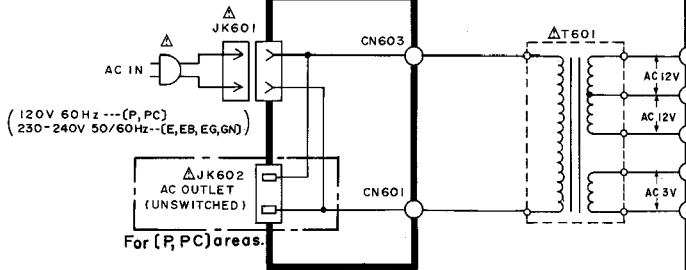
A MAIN CIRCUIT (PLAYBACK EQ AMP/POWER SUPPLY/DOLBY NR/HX PRO/B I)



D POWER SUPPLY CIRCUIT For (GC) area.

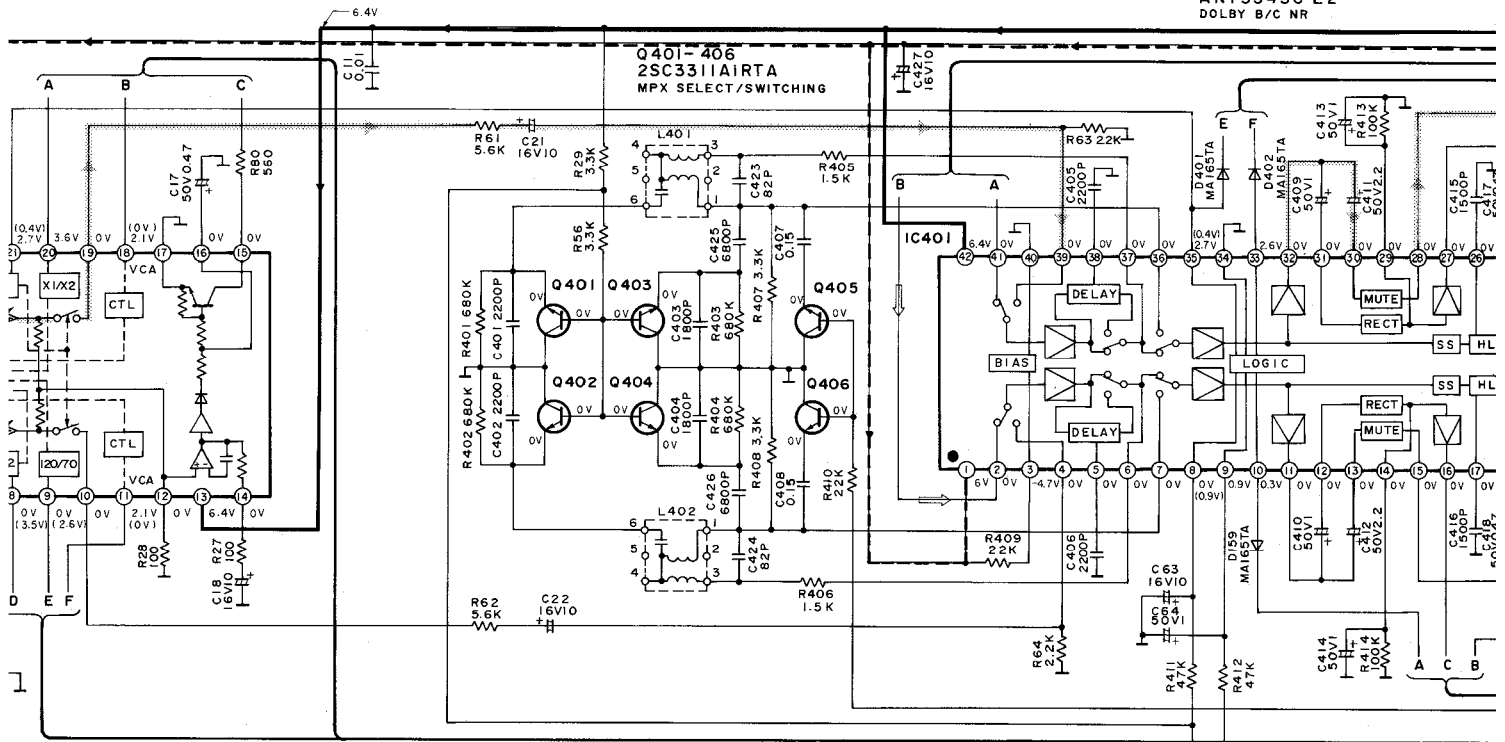


D POWER SUPPLY CIRCUIT For (P, PC, E, EB, EG, GN) areas.

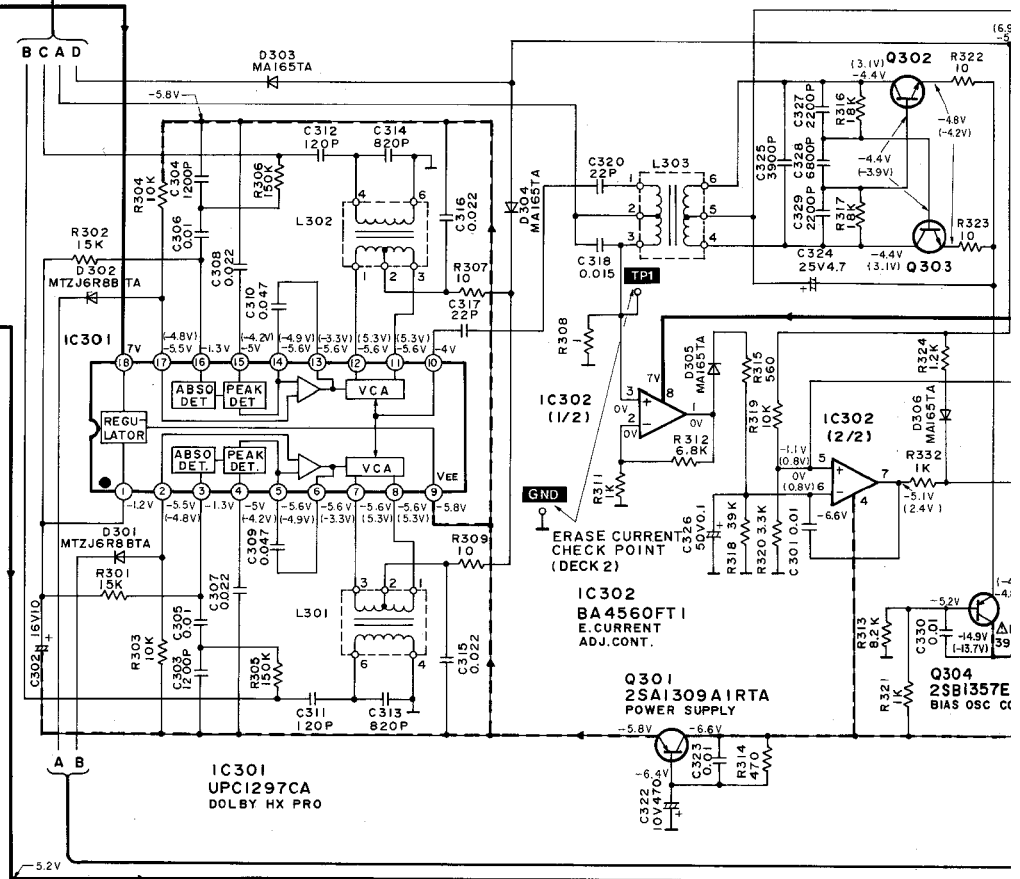
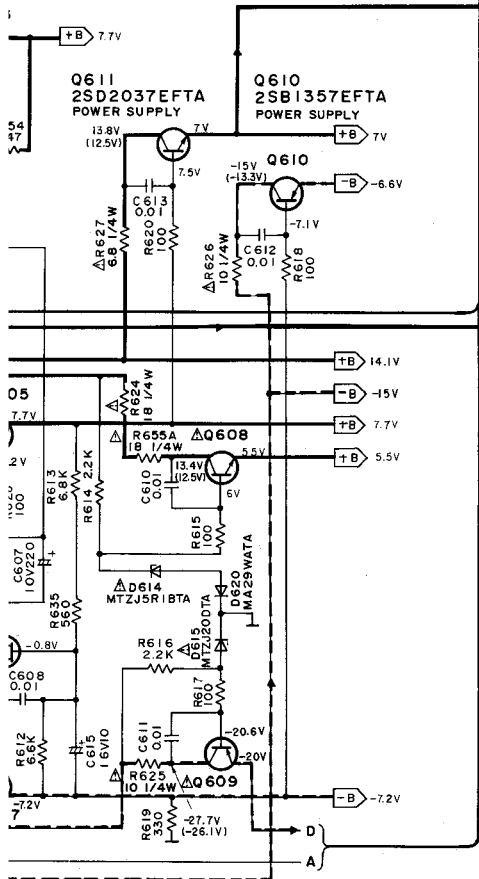


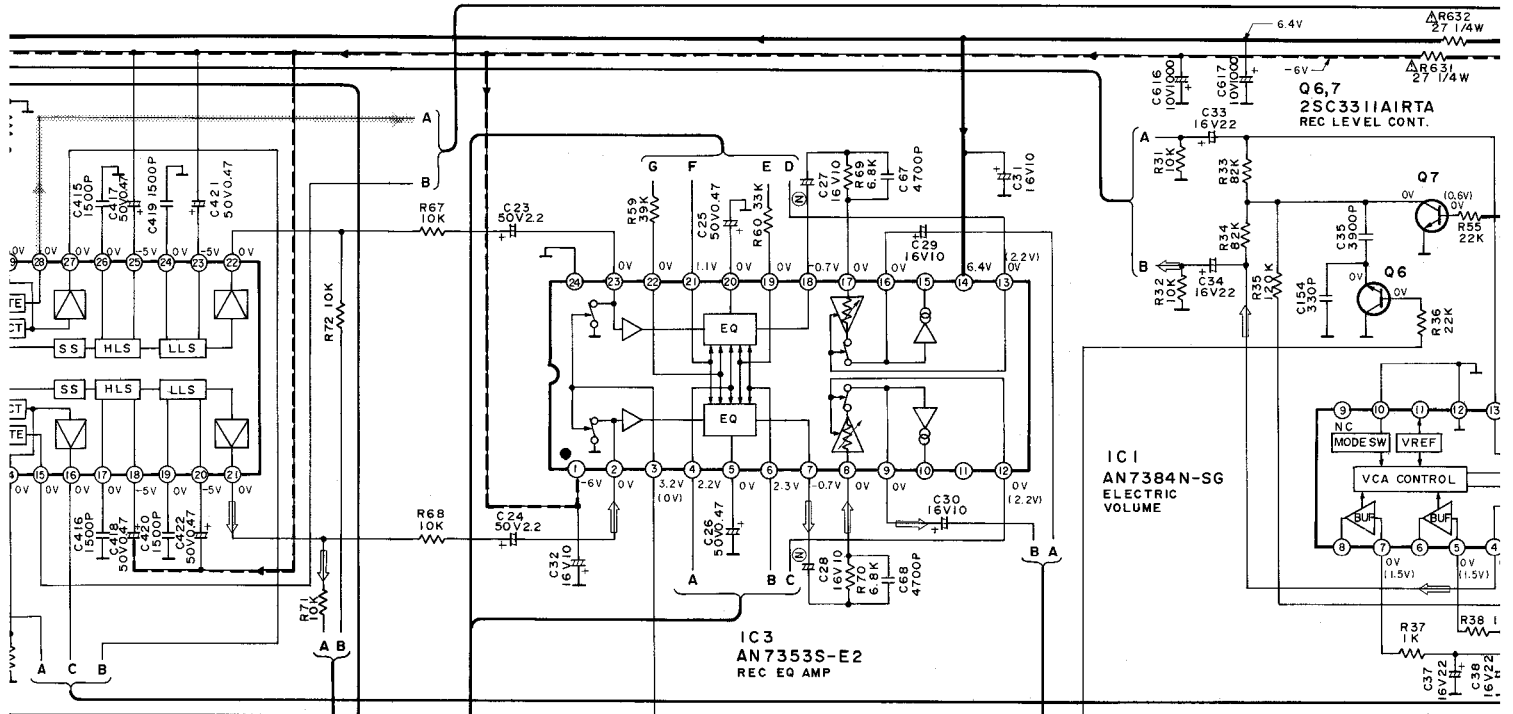
RO/BIAS OSC/REC EQ AMP/CONTROL/ELECTRIC VOLUME)

IC401
AN7354SC-E2
DOLBY B/C NR

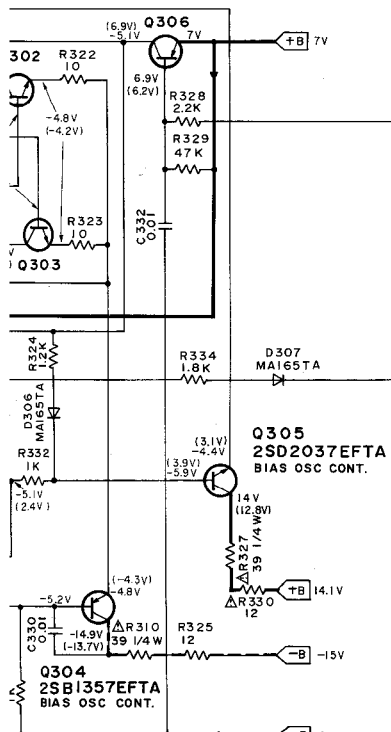


Q302,303
2SC3311AIRTA
BIAS OSC

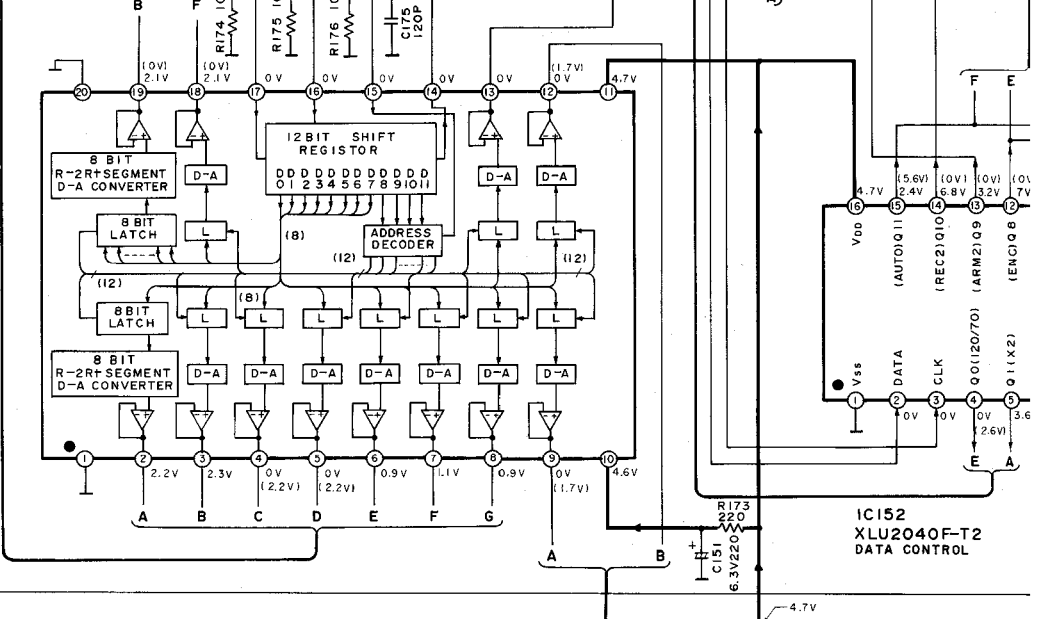




303 11AIRTA
 Q306 2SB1030AQSTA
 BIAS OSC CONT.

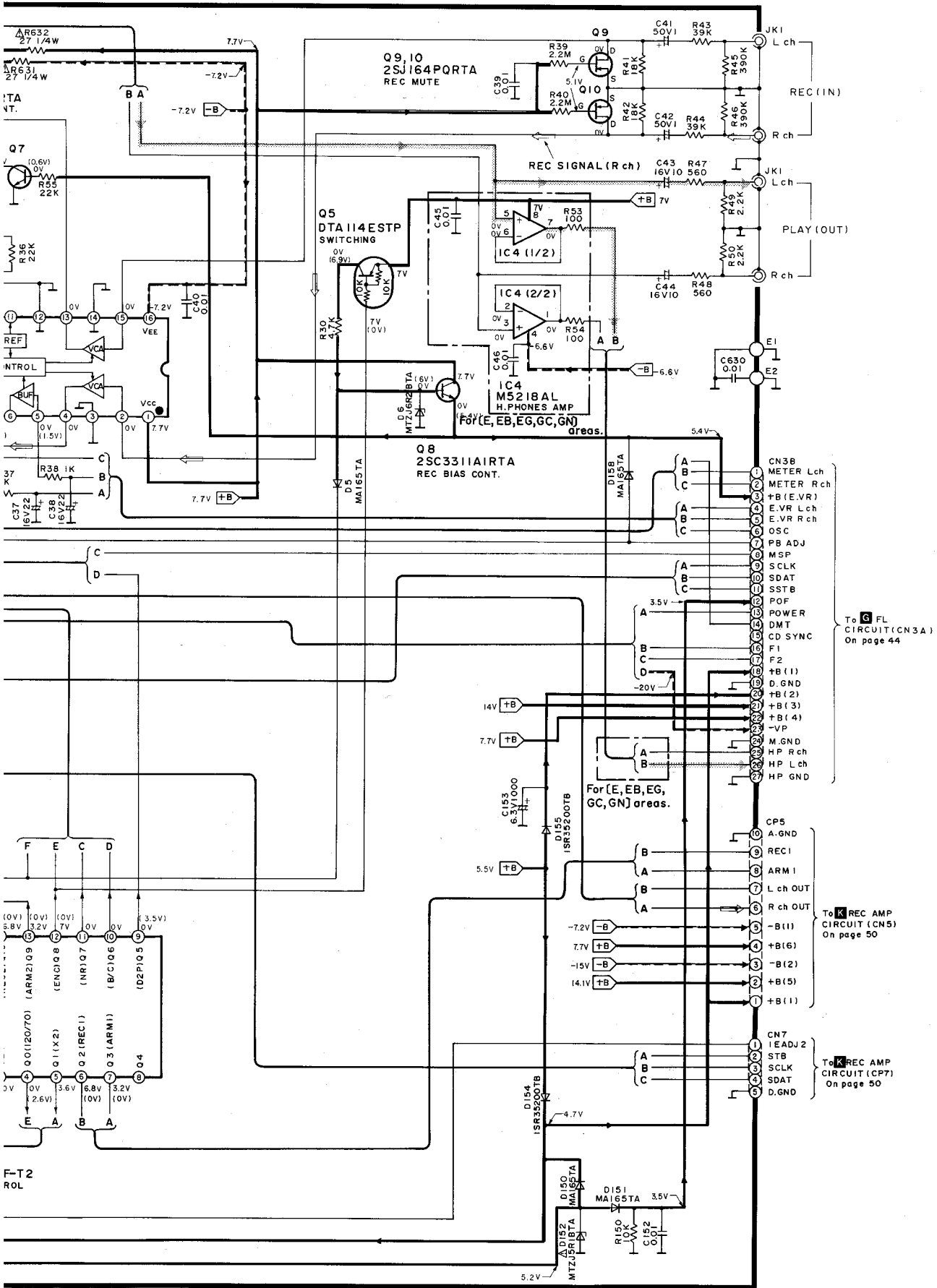


IC151
 M62352FPE1
 12-ch D/A
 CONVERTER



IC152
 XLU2040F-T2
 DATA CONTROL





To G FL CIRCUIT (CN3A) On page 44

To K REC AMP CIRCUIT (CN5) On page 50

To REC AMP CIRCUIT (CP7) On page 50



