



# Part List, SP/Mechanical

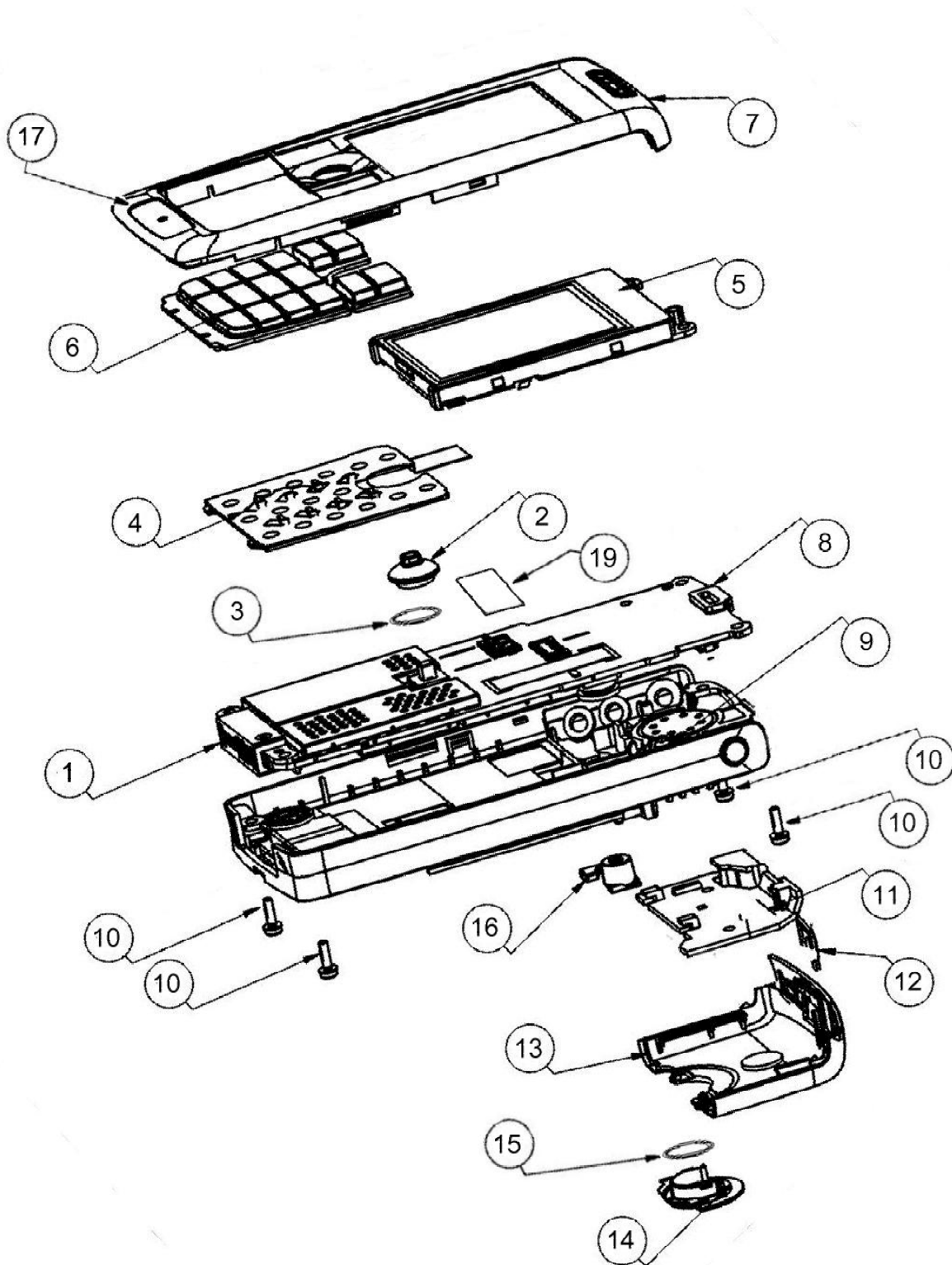
Applicable for T630/T628

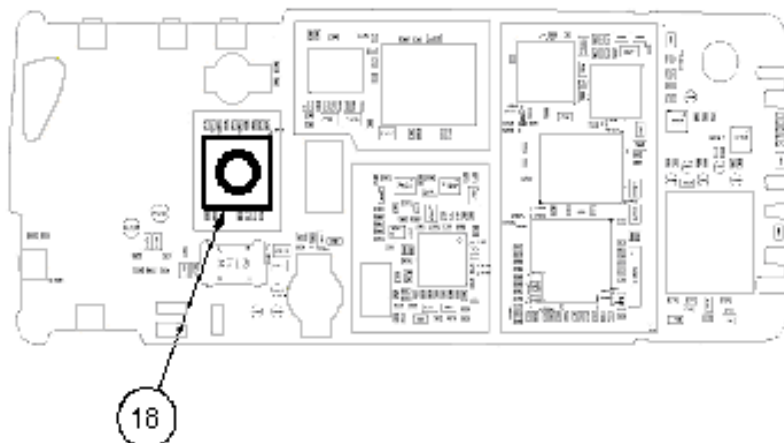
## Contents

<b>1</b>	<b>Exploded View T630</b> .....	<b>2</b>
1.1	Exploded view Phone.....	2
1.2	Exploded view Frame.....	4
<b>2</b>	<b>Part List T630</b> .....	<b>5</b>
2.1	Part List Phone.....	5
2.2	Part List Frame.....	6
<b>3</b>	<b>Part List Label</b> .....	<b>6</b>
<b>4</b>	<b>Revision History</b> .....	<b>7</b>

# 1 Exploded View T630

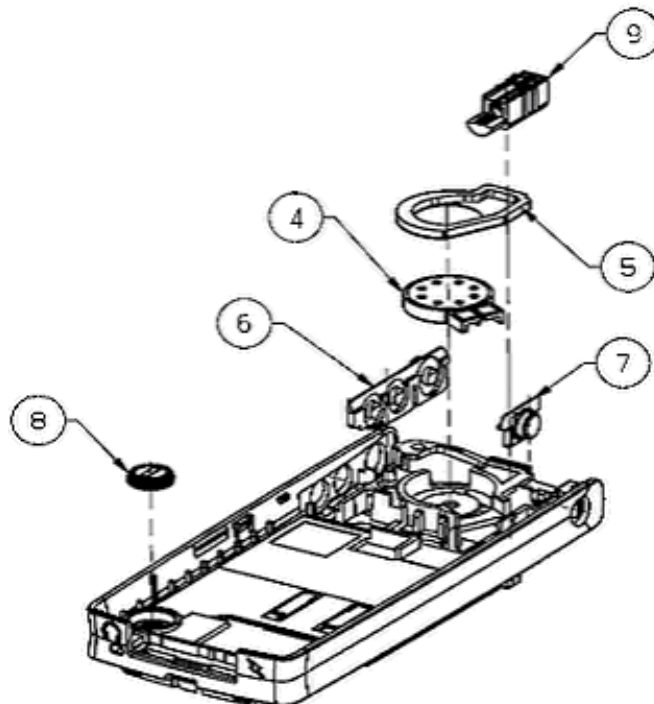
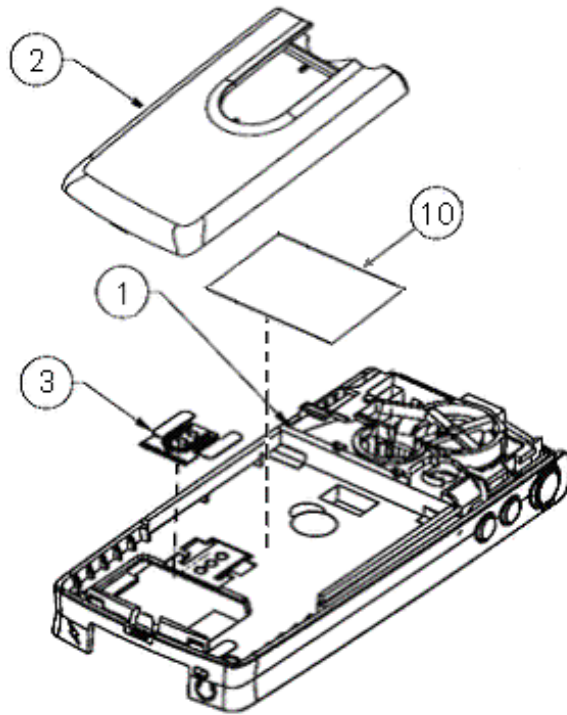
## 1.1 Exploded view Phone







## 1.2 Exploded view Frame





## 2 Part List T630

### 2.1 Part List Phone

Contains mechanical parts.

Pos. number refers to the Exploded View.

Parts available to order will be found in the Web Shop.

Pos.	Description	Part Number	Comments
1	System Connector Solder Less	RNV 799 13	
2	Joystick Button Base	SXA 109 4506	
3	Dust Gasket for Joystick Button	SXA 109 4427	
4	Key Foil Assy.	SXK 109 5752	
5	Display (TFT).	SXK 109 5990	
6	Keyboard, Latin, WHITE	SXA 109 4509/1	
6	Keyboard, Arabic, WHITE	SXA 109 4509/2	
6	Keyboard, Chinese, WHITE	SXA 109 4509/3	
6	Keyboard, Hebrew, WHITE	SXA 109 4509/4	
6	Keyboard, Cyrillic, WHITE	SXA 109 4509/5	
6	Keyboard, Bopomofo, WHITE	SXA 109 4509/6	
6	Keyboard, Thai, WHITE	SXA 109 4509/7	
6	Keyboard, Hindi, WHITE	SXA 109 4509/8	
7	Front Assy. Cpl/White	SXK 109 5756/1Z	
8	Sound Channel Gasket	SXA 109 3006	
9	Frame	SXA 109 4510	Frame , see below
10	Screw with Washer	SXA 109 3392	4 pieces
11	Antenna Assy.	SXK 109 4967	
12	Power On/Off key	SXA 109 4519	
13	Antenna Cover Assy. White	SXK 109 5758/1	
14	Camera Ring, White	SXA 109 4511	
15	Camera Module gasket	SXA 109 3013	
16	Plug (ext. antenna connector) White	SXA 109 4520	
17	Label Co-Brand, General	SVF 930 2283/	
17	Label Co-Brand, T-Mobile	SVF 930 2283/2	
17	Label Co-Brand, Orange	SVF 930 2283/3	
17	Label Co-Brand, Vodafone	SVF 930 2283/4	
17	Label Co-Brand, Telefonica	SVF 930 2283/5	
17	Label Co-Brand, WIND	SVF 930 2283/6	
17	Label Co-Brand, O2	SVF 930 2283/7	
17	Label Co-Brand, TIM	SVF 930 2283/8	
17	Label Co-Brand, Quickshare, White	SVF 930 2283/10	
18	Camera Module	SXK 109 5635	
19	ZIF Tape	SXA 214 6104	



## 2.2 Part List Frame

Pos.	Description	Part Number	Comments
1	Frame, White (Liquid silver)	SXA 109 4510	
2	Battery Cover Cpl. White	SXK 109 5902/1	
3	Sim-Lock Lid	SXA 109 3008	
4	Speaker	RLE 907 17	
5	Speaker Gasket	SXA 109 2385	
6	Volume/Camera keys	SXA 109 4514	
7	Internet Access Key	SXA 109 2544	
8	Microphone Assy.	SXK 109 4962	
9	Vibrator	SXK 109 5217	
10	KRH-Label	SVF 930 361/1	

## 3 Part List Label

Pos	Description	Part Number	Comments
	KRH-Label	SVF 930 361/1	
	Printer Ribbon	LZK 102 734/1	

## 4 Revision History

Rev.	Date	Changes / Comments
A	2003-11-18	First release