

**SONY**

# Video/RGB Monitor Service Bulletin

Sony Service Company - Technical Services  
A Division of Sony Corporation of America  
Sony Drive, Park Ridge, New Jersey 07656

**Model:** GVM-2000, GVM-2100, GVM-2100Q

**No. 6**

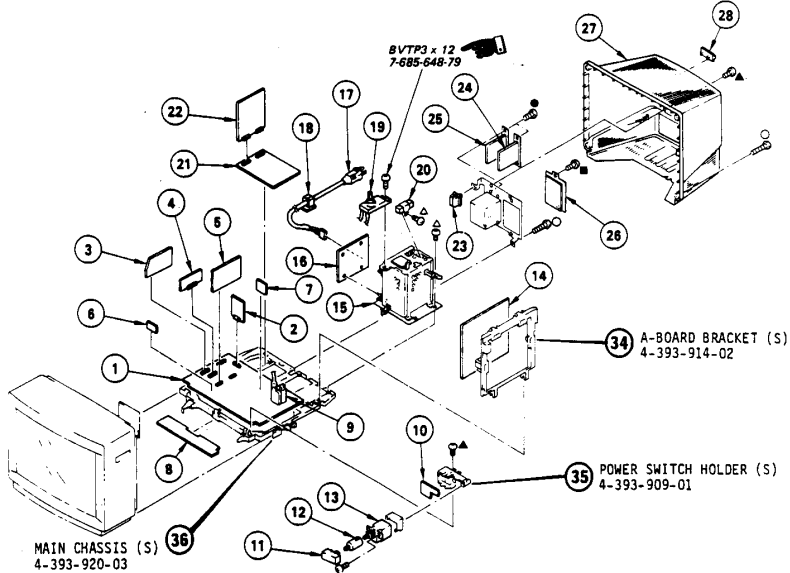
**Subject:** Part Number Registration

**Date:** March 12, 1993

**Symptom:** (\*\*)  
What is the part number of the Main Chassis and others?

**Solution:** Please add the following part numbers to your Service Manual:

ITEM NO.	DESCRIPTION	PART NUMBER
-	BVTP 3 X 12 SCREW	7- 685-648-79
34	A-BOARD BRACKET	4-393-914-02
35	POWER SWITCH HOLDER	4-393-909-01
36	MAIN CHASSIS (S)	4-393-920-03



Reference: DP92-0035



PRINTED IN U.S.A.  
CSI-112393-1

CSI-112 GVM Monitors