

Philips Domestic Appliances and Personal Care

Service Manual

PRODUCT INFORMATION

| | HI 120 | HI 124 | HI 126 |
|---------------------|--------|--------|--------|
| colour white | x | x | - |
| colour red | - | - | x |
| sole plate finished | x | - | - |
| sole plate coated | - | x | x |
| pilot lamp | x | x | x |
| spray unit | x | x | x |

Voltage / frequency : 220 - 240 V, 50 - 60 Hz
: 110 - 127 V, 50 - 60 Hz

Power consumption : 900 - 1100 Watts

Product meets the requirements regarding interference suppression on radio and TV.

ASSEMBLY ADVICE

CORDSET 5

remove **SCREW A**
remove **BACK PLATE 101**

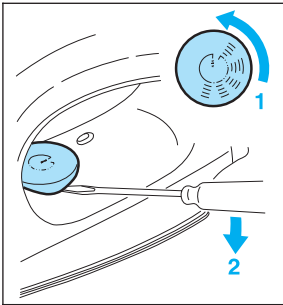
SOLE PLATE 1

THERMOSTAT 3

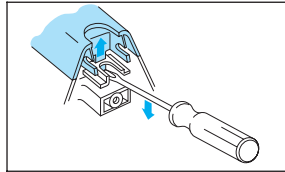
INSULATION STUDS 3

LAMP 4

remove **DIAL 102**



remove **SCREW A**
remove **BACK PLATE 101**
remove **SCREW B 3x**
remove **CORDSET 5**
remove **INLAY 8**

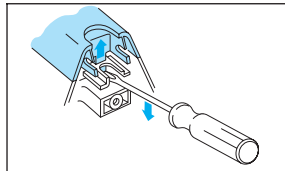


remove **SCREW C 3x**
remove **HANDLE 104**

INLAY 8

RELEASE MECHANISM 9

remove **SCREW A**
remove **BACK PLATE 101**
remove **CORDSET**
remove **INLAY 8**



NOTE:

After the product has been repaired, it should function properly and has to meet the safety requirements and legal regulations as laid down and officially established at this moment.

ADJUSTMENT AND CONTROLS

Thermostat 3

Thermostat (3), fitted to sole plate (1) has already been adjusted by the supplier and secured by glue.

To avoid disfunction of the iron, **NEVER** readjust the thermostat.

Adjustment Thermostat 3, supplied as a spare part.

Connect the connecting strips to an Ohm meter.
Set the vertical slot of the thermostat bush to the 11 o'clock position (see picture).

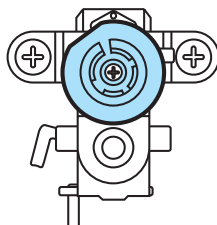
Turn the adjusting screw clockwise or anti-clockwise until the Ohm meter indicates "0". (the contacts are closed)

Then turn the adjusting screw clockwise until the Ohm meter indicates ∞. (the contacts are open)

While free turning the thermostat bush, check if the thermostat switches in the 11 o'clock position.

Secure the adjusting screw by glue.

After adjusting the thermostat, always check the temperature of the soleplate, with the dial set on the **MAX.** position. ($220 \pm 20 \text{ }^{\circ}\text{C}$)



PARTS LIST HI 120 / HI 124 / HI 126

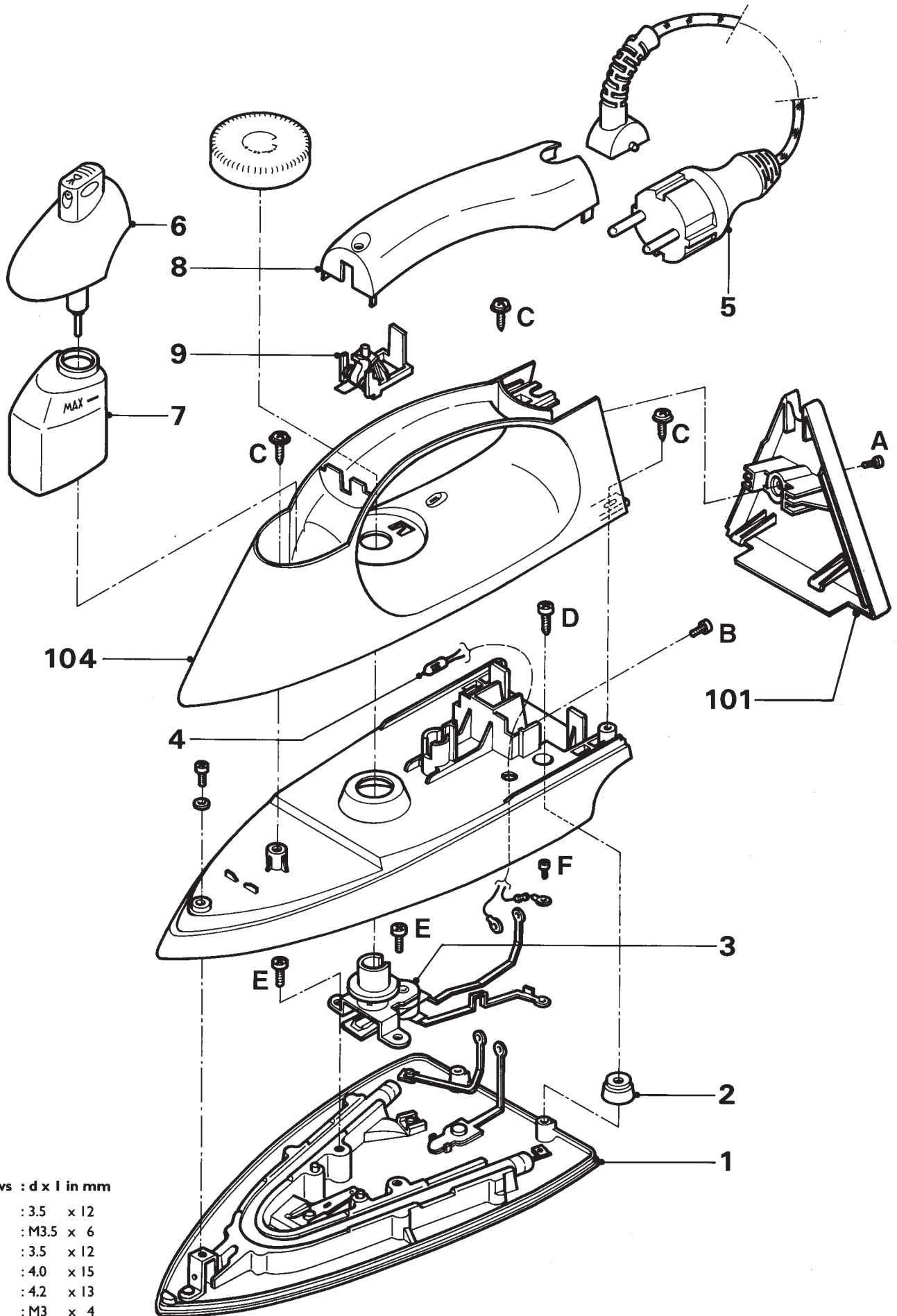
| POS. | DESCRIPTION | SERVICE CODE |
|------|---|----------------|
| 1 | SOLE PLATE 110 - 127 V (incl. pos. 3) | 4822 259 10209 |
| | SOLE PLATE 220 - 240 V (incl. pos. 3) | 4822 259 10211 |
| 2 | INSULATION STUDS | 4822 532 12722 |
| 3 | THERMOSTAT | 4822 282 10298 |
| 4 | PILOT LAMP 100 - 240 V | 4822 134 10055 |
| 5 | CORDSET EURO PLUG | 4822 321 10951 |
| | CORDSET UK PLUG | 4822 321 10952 |
| | CORDSET UL PLUG | 4822 321 10947 |
| 6 | SPRAY UNIT + WATER TANK (7), COLOUR WHITE | 4822 360 10234 |
| | SPRAY UNIT + WATER TANK (7), COLOUR RED | 4822 360 10235 |
| 7 | WATER TANK | 4822 418 10213 |
| 8 | INLAY, COLOUR WHITE | 4822 442 00623 |
| | INLAY, COLOUR RED | 4822 442 00624 |
| 9 | RELEASE MECHANISM | 4822 417 11329 |

NOTES: For standardisation reasons:

- * only the coated sole plate will be supplied for those types, which are suitable for 220 - 240 V.
- * only the finished sole plate will be supplied for those types, which are suitable for 110 - 127 V.
- * only the release mechanism with red operation push button will be supplied.
- * only cordsets with a length of 2.6 m will be supplied. the colour of the cordset may differ from the original colour.

Parts, with numbers from 100 and higher, cannot be ordered separately.

EXPLODED VIEW HI 120 / HI 124 / HI 126



Screws : d x l in mm

- A 1x : 3.5 x 12
- B 3x : M3.5 x 6
- C 3x : 3.5 x 12
- D 3x : 4.0 x 15
- E 2x : 4.2 x 13
- F 1x : M3 x 4