

Service
Service
Service



Philips Domestic Appliances and Personal Care

Service Manual

PRODUCT INFORMATION

Features

- Dynaglide soleplate coating
- Spray feature
- Self clean function
- Steam output (15 grams/min)
- Detachable tank
- Water tank capacity 120 ml

Safety Information

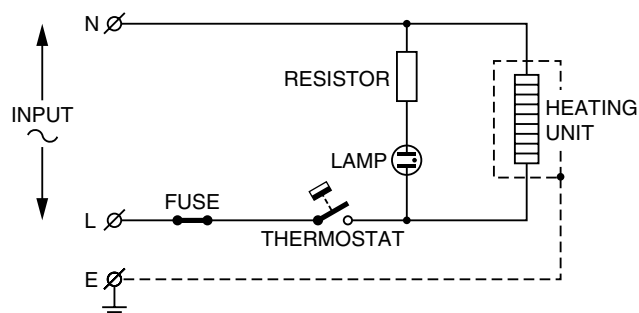
- This product meets the requirements regarding interference suppression on radio and TV.
- After the product has been repaired, it should function properly and has to meet the safety requirements as officially laid down at this moment.

TECHNICAL INFORMATION

| | |
|-------------------|-----------------------------------|
| Voltage | : 220 ~ 240 V |
| Frequency | : 50 ~ 60 Hz |
| Power consumption | : 1200 ~ 1440 W |
| Dimension (F-box) | : 284 x 114 x 146 mm ³ |
| Weight | : 1100 grams |

Self Clean

When the self clean button is pushed, a sudden flow of water is released from the tank into the soleplate. This thermal shock will cause water scale particles to come loose from the steam chamber. These particles are then flushed out through the steam vents by the water.



PUMP ASSY 3

- remove DOSING UNIT 1
- remove OPERATION KNOB 4
- remove screw A
- remove INLAY 102

LAMP ASSY 8

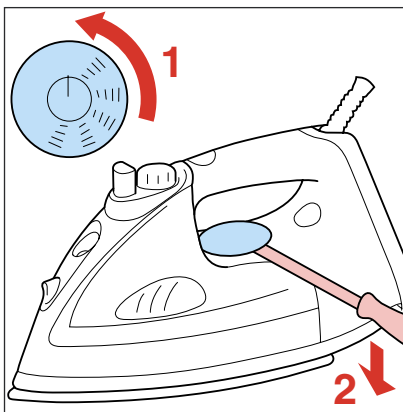
CORDSET 7

SWIVEL 6

LAMP COVER 9

- remove screw B (2x)
- remove BACK PLATE 5
- remove screw C (2x) cord clip

DIAL 10



COVER 15

SOLEPLATE 17

THERMOSTAT BUSH 14

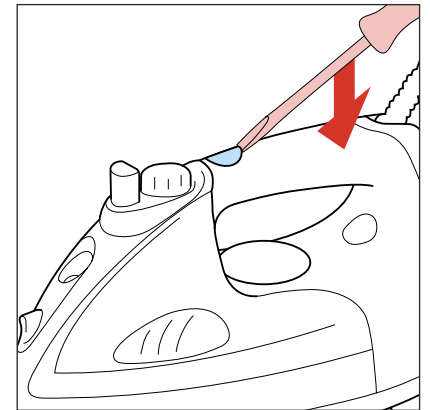
COVER SEAL 18

- remove TANK ASSEMBLY 2
- remove screw B (2x)
- remove BACK PLATE 5
- remove screw C (2x) cord clip
- remove DIAL 10
- remove screw D (2x)
- remove screw E (2x)
- remove HANDLE ASSEMBLY 13
- remove screw F (3x)
- remove COVER 15

EJECTION KNOB 12

EJECTOR SPRING 20

SLIDING PIECE 21



REPAIR INSTRUCTIONS

- In case of any defect in the thermostat, the complete soleplate has to be replaced.
- Parts with position number more than 100 cannot be ordered separately.

PARTS LIST

| Pos | Service code | Description | Consist of |
|-----|----------------|---------------------------|---------------|
| 1 | 4239 021 17580 | Dosing unit | |
| 2 | 4239 021 17390 | Tank assembly - PRC | 101,102,19 |
| | 4239 021 19130 | Tank assembly - Singapore | 101,102,19 |
| 3 | 4239 020 90560 | Pump assembly (spray) | |
| 4 | 4239 026 14470 | Operation knob (spray) | |
| 5 | 4239 015 35820 | Backplate - PRC | |
| | 4239 015 36110 | Backplate - Singapore | |
| 6 | 4239 026 14300 | Swivel | |
| 7 | 4239 000 06800 | Cord set - PRC | |
| | 4239 000 07140 | Cord set - Singapore | |
| 8 | 4239 020 92720 | Lamp assembly | |
| 9 | 4239 026 00880 | Lamp cover | |
| 10 | 4239 021 17430 | Dial - PRC | |
| | 4239 021 19120 | Dial - Singapore | |
| 11 | 4239 014 53790 | Rattle spring | |
| 12 | 4239 026 14390 | Ejection knob | |
| 13 | 4239 021 17380 | Handle assembly | 9,11,12,20,21 |
| 14 | 4239 026 12360 | Thermostat bush | |
| 15 | 4239 026 03360 | Cover | |
| 16 | 4239 015 70150 | Ryton ring | |
| 17 | 4239 021 17230 | Soleplate assembly | |
| 18 | 4239 015 54220 | Cover seal | |
| 19 | 4239 015 54210 | Tank top seal | |
| 20 | 4239 014 53490 | Ejector spring | |
| 21 | 4239 026 04740 | Sliding piece | |

