

Service Information

2001-08-17

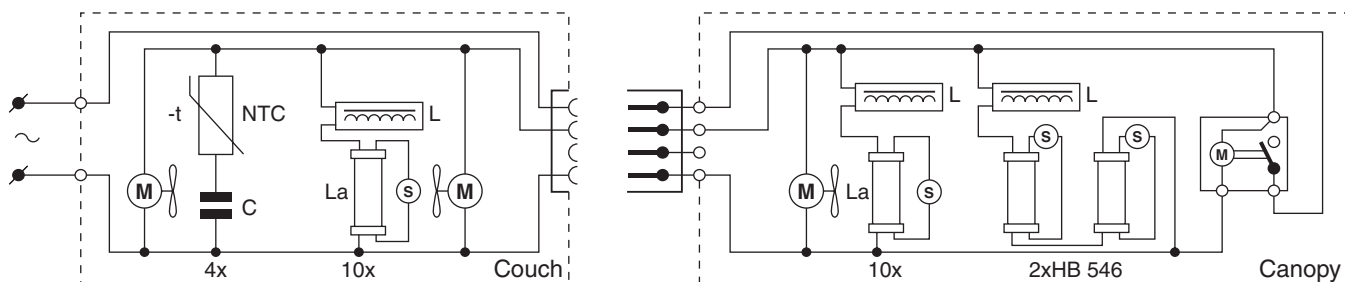
HB545/A HB545/B
HB546/A HB546/B

DAP 326

Domestic Appliances and Personal Care

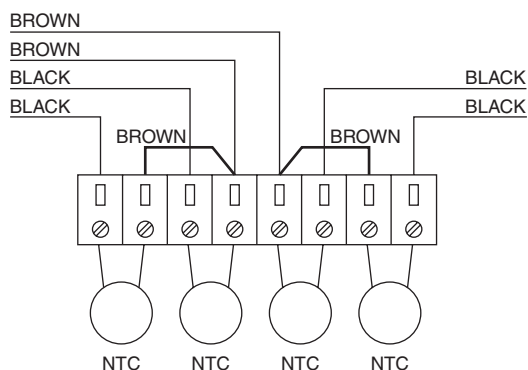
COMBI SOLARIUM

The introduction of different inrush current limiting components as from production code 0101 has resulted in a type number change into **HB545/B** and into **HB546/B**, see diagram below.



A burned NTC resistor or overheated wiring points to a wiring fault at the connecting block.

The correct wiring is shown below.



The newly introduced parts are:

4222 062 94580 NTC resistor 22Ω

4222 062 94600 capacitor 50μF/250V

4222 062 94570 connecting block 8 sections