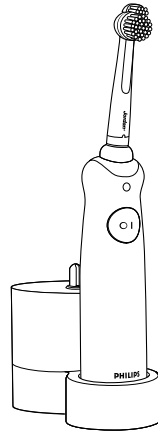


Service
Service
Service



Philips Domestic Appliances and Personal Care

Service Manual

PRODUCT INFORMATION

Small-volume brush head
Active tip
Controlled Pressure System
End-rounded bristles
Charging indication light, that lights green, when the battery is being charged
Storage for brush head on the charger
Number of brushes inserted in luxury carton: 1
Topography colour V-shape : green

TECHNICAL DATA

Voltage : 110-127 V, 200-240 V,
50-60 Hz
Power consumption : 3 Watts
Speed (top) : up to 15.000 brush strokes
per minute
Pressure control click at : 250 gr.
Charging time (empty to full) : 16 hours
Operating time (full to empty) : \pm 25 minutes
Battery type : NiCd

Product meets the requirements regarding interference suppression on radio and TV.

SERVICE INFORMATION

Hand unit tooth brush (1)

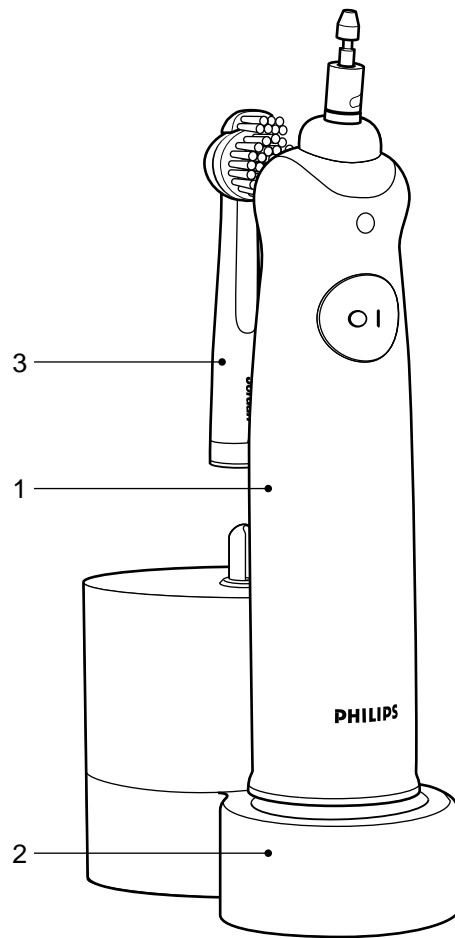
Never open the hand unit of the tooth brush, because the unit is not water tight anymore.
In case of a defect, then complete unit must be replaced.

Charging unit (2)

In case of a defective charging unit or cordset, the complete charging unit must be replaced.

NOTES

When discarding the appliance, remove the built-in rechargeable battery.
The battery should be completely empty of charge.



Pos	Description	Service code
1	Rechargeable hand unit (NiCd)	4822 218 12089
2	Charging unit 200-240 V. Euro plug	4822 219 10751
	Charging unit 110-127 V. Taiwan	4822 219 10752
	Charging unit 220 V. Korean plug	4822 219 10753
	Charging unit 220-240 V. Australia/N.Z.	4822 219 10754
3	Set of brushes (2 pcs in blister pack)	4822 479 20271
	Dir. for use: UK, D, N, S, SF, D and Gr	4822 736 17086
	Dir. for use: UK, D, F, NL, E, P, I and TR	4822 736 17087
	Dir. for use: Far East languages + UK	4822 736 17088