



Philips Domestic Appliances and Personal Care

Service Manual 4322 277 00214 is herewith cancelled

Service Manual

PRODUCT INFORMATION

	Battery type	Color setting	Operation time (fully charged)
HR 6072	NiCd	Antique white + Blue	>6 minutes
HR 6073	NiMH	Antique white + Blue	>11 minutes

TECHNICAL SPECIFICATION

Adapter AC / AC	: 230V / 7V AC
Rechargeable batteries	: 4 x 1.2V
Charge indicator	: LED
Dry dust cap capacity	: 0.45 Liters
Wet dust cap capacity	: 0.1 Liters
Weight	: 1 kg
Dimensions	: 77 x 15 x 11 cm
Cord length	: 1.8 m

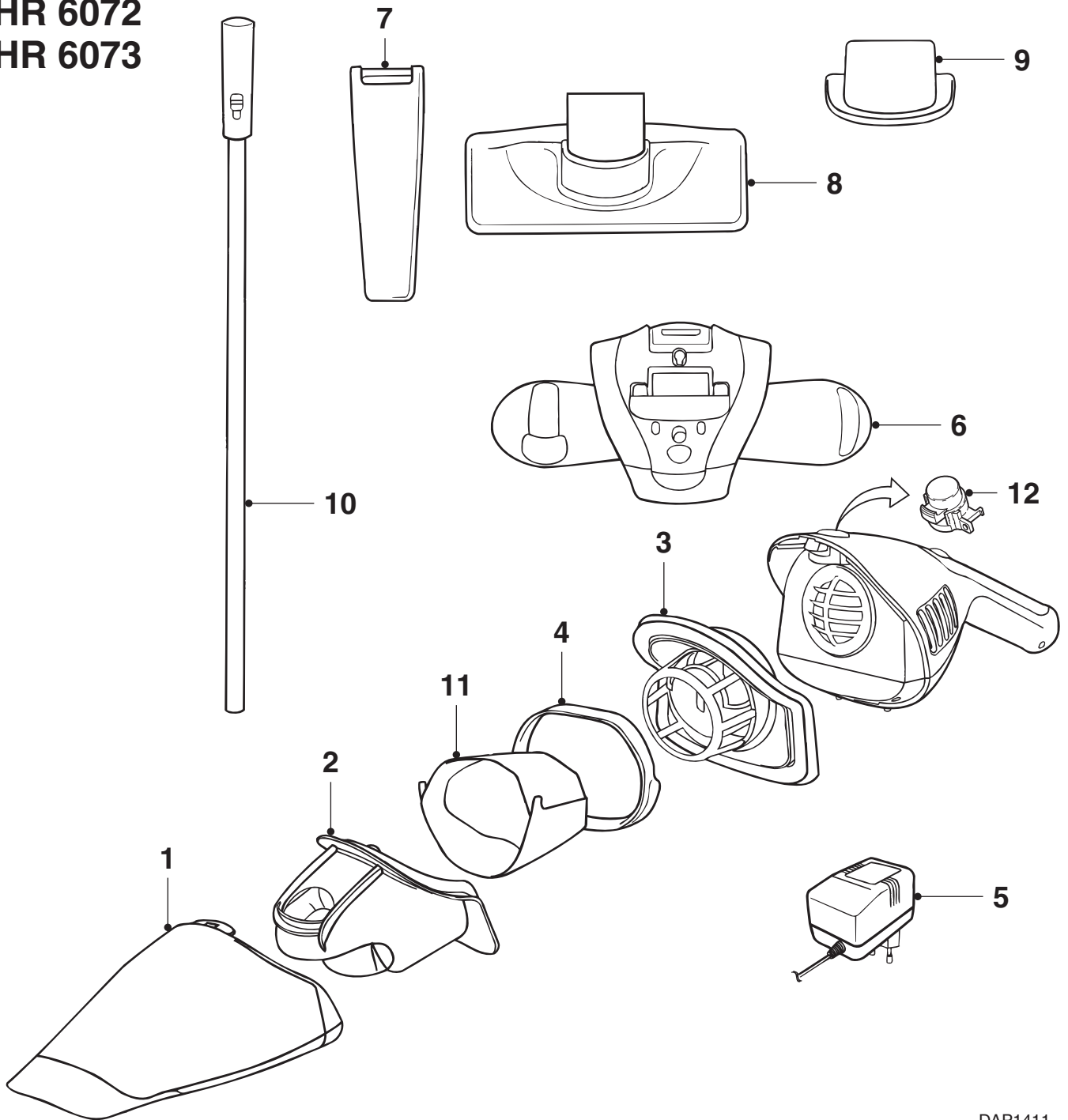
SERVICE INFORMATION

- Washable permanent filter is available under type number HR6918.
- The rechargeable batteries contained substances, which may pollute the environment. Dispose unused cells at especially assigned places.
- If a repair has been executed, ensure that all the functions of the appliance are working correctly.

This product meets the requirements regarding interference suppression on radio and TV.

After the product has been repaired, it should function properly and has to meet the safety requirements as officially laid down at this moment.

HR 6072
HR 6073



DAP1411

Item	Description	Service code
1	Dust container	9965 000 06725
2	Deflector	9965 000 06732
3	Filter holder	9965 000 06731
4	Ring	9965 000 06730
5	Adapter - EU	9965 000 06425
	Adapter - UK	9965 000 06426
	Adapter - Taiwan	9965 000 06427
	Adapter - Korea	9965 000 06428
6	Holder	9965 000 06429
7	Crevice tool	9965 000 06431
8	Floor nozzle	9965 000 06430
9	Squeegee	9965 000 06727
10	Extension pole	9965 000 06510
11	Dust bag HR 6918	9965 000 06729
12	Jack release button assy	9965 000 12781