

Service
Service
Service



HR 6060/A
HR 6060/B
HR 6061/A
HR 6061/B

Philips Domestic Appliances and Personal Care

Service Manual

PRODUCTION INFORMATION

	Battery type	Color setting	Operation time (fully charged)
HR6060/A	NiCd	Pale green / thistel	>9 minutes
HR6060/B	NiCd	Pale gray / lilac	>9 minutes
HR6061/A	NiMH	Pale green / thistel	>12 minutes
HR6061/B	NiMH	Pale gray / lilac	>12 minutes

TECHNICAL SPECIFICATION

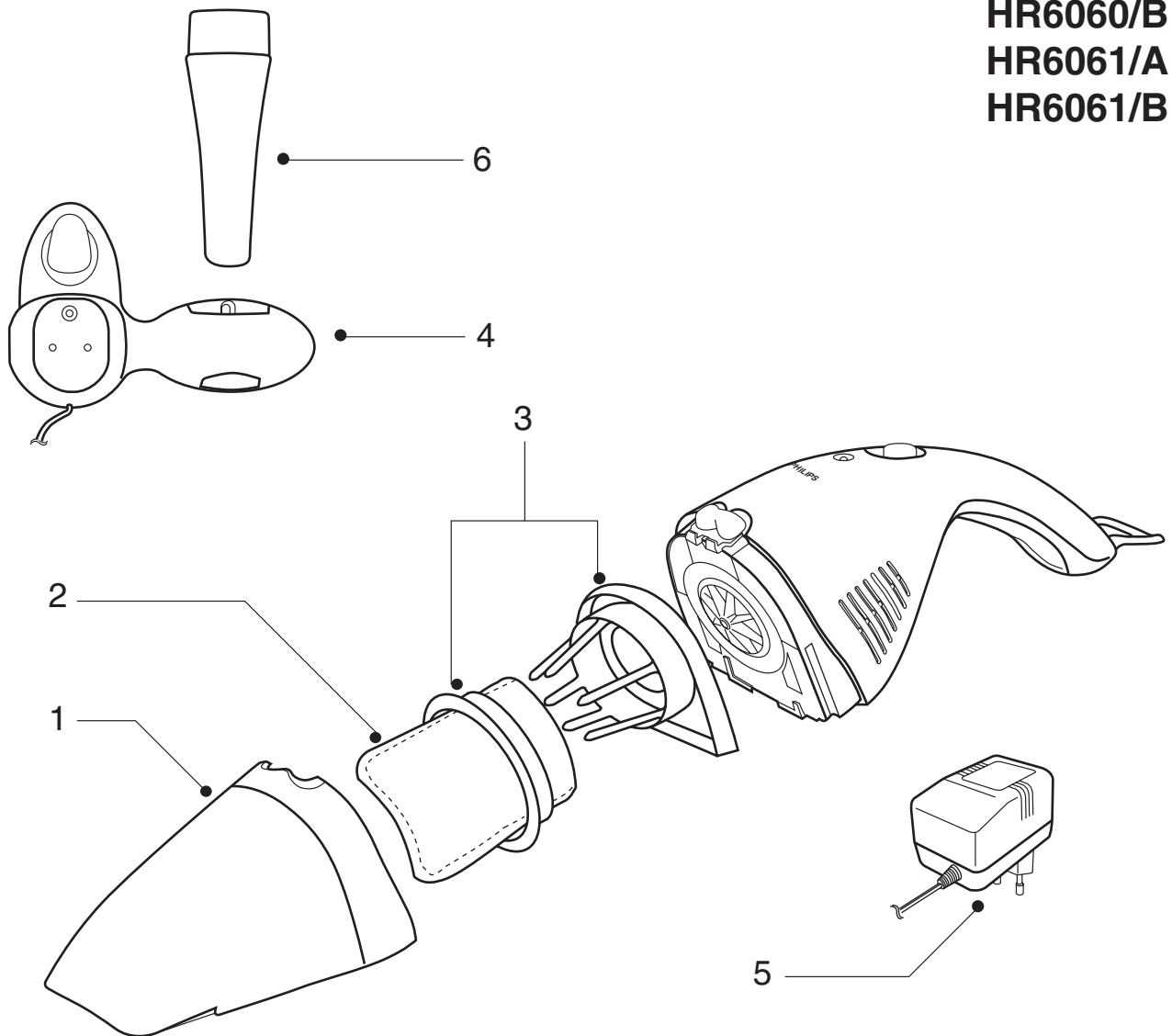
Transformer ac / ac : 230V / 7V
 Rechargeable batteries : 3 x 1.2V
 Charge indicator : LED
 Dust capacitor : 0.3 Liter

SERVICE INFORMANCE

- The dust container and wall holder are all interchangeable for all versions, only with color difference.
- Washable permanent filter is available under type number HR6934
- The rechargeable batteries contained substances, which may pollute the environment. Dispose unused cells at especially assigned places.
- If a repair has been executed, ensure that all the functions of the appliance are working correctly.



HR6060/A
HR6060/B
HR6061/A
HR6061/B



Item	Description	Service code
1	Dust container HR606X/A	9965 000 04824
	Dust container HR606X/B	9965 000 04825
2	Dust bag	9965 000 03256
3	Filter holder assy	9965 000 04826
4	Wall holder HR606X/A	9965 000 04827
	Wall holder HR606X/B	9965 000 04828
5	Adapter 230V EU	9965 000 04829
6	Extension tube HR606X/A	9965 000 04830
	Extension tube HR606X/B	9965 000 04831