



Philips Domestic Appliances and Personal Care

# Service Manual

MSH coding 8832 388 00000  
8832 389 00000

## PRODUCT INFORMATION

Power	- 9 V alkaline battery (not included)
Weighing range	- 0 - 5000 gram (5 kg)
Weighing division	- d = 1 gram
Dimensions (l x w x h)	- diameter 22 x 4 cm (HR 2388) - 24.5 x 22 x 4 cm (HR 2389)
Weight	- 475 gram (HR 2388) - 725 gram (HR 2389)
F-box (l x w x h)	- 23.7 x 7.0 x 31.4 cm)
Application	- only for domestic use

## Full memory backup

This appliance has "full memory backup": if the appliance has not been used for more than 3 minutes, it will switch off automatically to save the battery. If you have just weighed on the weighing plate, the previously shown weight will be displayed again when you press button ①.

## Storage

Make sure that there is nothing on the weighing plate when the appliance is not in use.

- Always place the appliance on a solid, smooth and horizontal surface when you use it.
- Only for type HR 2389: remove the protective foil before you use the scales for the first time.
- A microwave oven which is switched on, may cause interference, which may lead to unreliable weighing results. Place the scales at a safe distance of at least 1.5 metres from a microwave oven which is switched on or use the scales when the microwave is switched off.

## Battery

The scales work on a 9-volt battery (not included). We advise you to use a Philips 6LR 61 Alkaline battery on account of its long life and environmental friendliness.

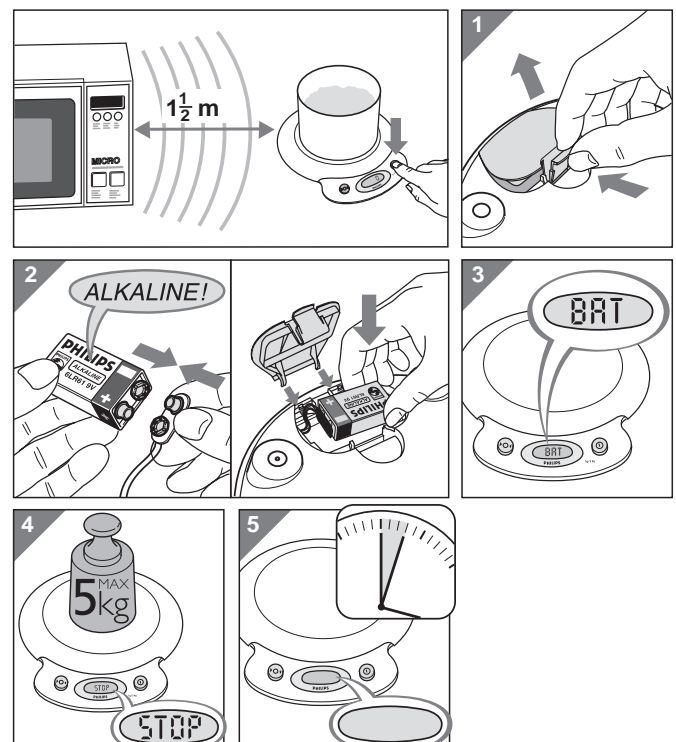
## Battery replacement

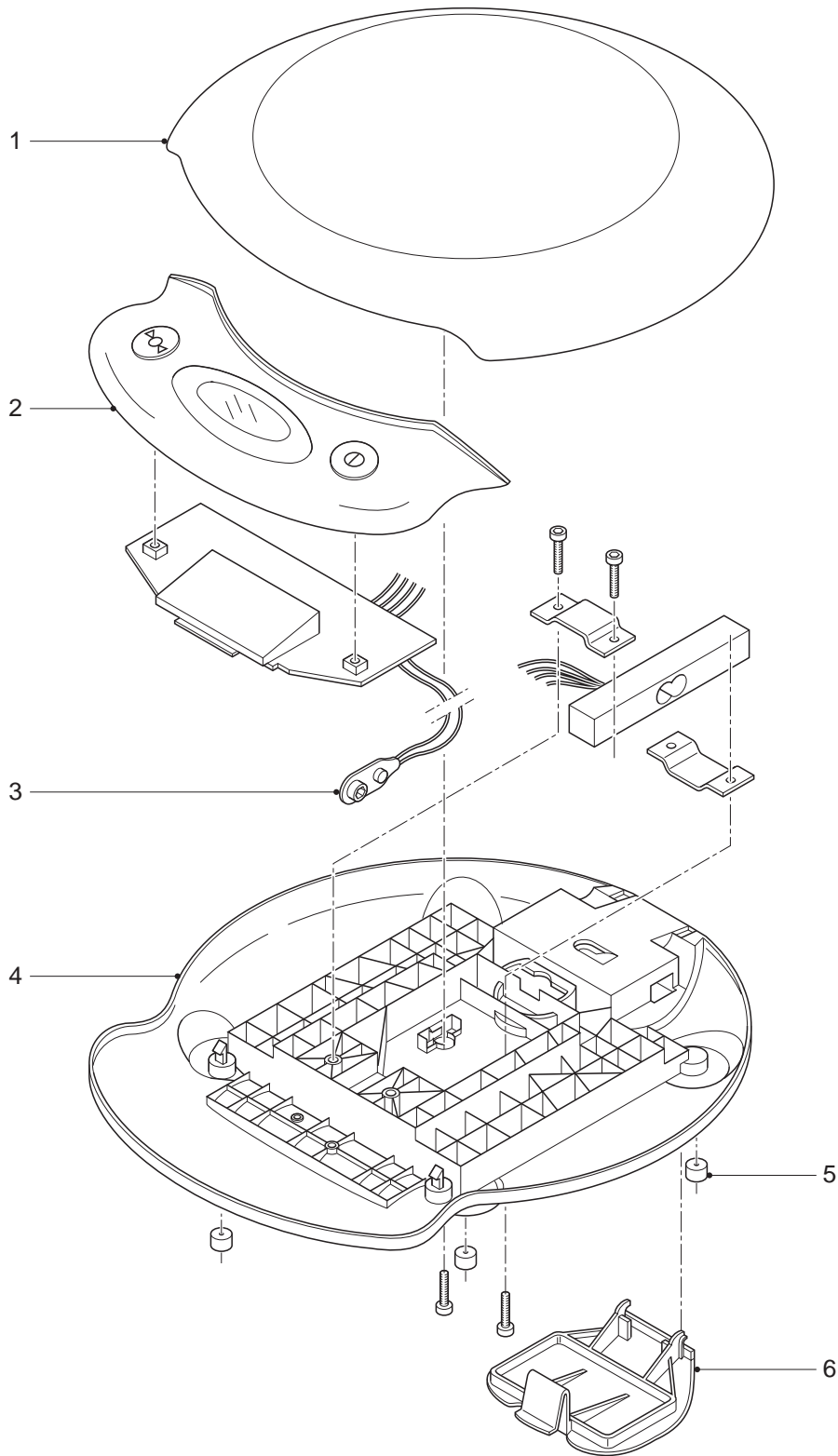
- If the BAT indication appears on the display briefly when you switch on the appliance, the battery is low but still has a reserve capacity. If BAT is displayed continuously, the battery must be replaced.
- It is not advisable to use a rechargeable battery in this appliance.

The scales indicate weight with a division of 1 gram (d = 1 g).

- Press button ① to switch the scales on.
- After 1 - 2 seconds the appliance is ready for use.

**Please note:** If the weighing plate has been overloaded (more than 5 kilograms), STOP will become visible on the display.





DAP 0516

		<b>HR 2388</b>	<b>HR 2389</b>
1	4822 466 11695	X	-
	4822 466 11696	-	X
2	4822 441 12067	X	-
	4822 441 12069	-	X
3	4822 290 80346	X	X
4	4822 441 12066	X	-
	4822 441 12068	-	X
5	4822 462 10992	X	X
6	4822 442 01122	X	-
	4822 442 01123	-	X