

Philips Domestic Appliances and Personal Care

Service Manual

PRODUCT INFORMATION

Type	HP 355	HP 405	HP 505	HP 555
Mains supply 100 - 127 V	X	X	X	X
Mains supply 200 - 240 V	X	X	X	X
Battery NiMh	-	X	X	X
Battery NiCd	X	X	X	X
Power consumption	3 W	3 W	3 W	3 W
Charge indication LED (green)	-	X	X	X
Charge full indication LED (green)	-	-	-	X
Timer indication LED (red)	-	-	-	X
Container for 4 brushes	-	-	X	X
Wall holder facility	-	X	X	X

SERVICE INFORMATION

Hand unit tooth brush (1)

Never open the hand unit of the tooth brush, because the unit is not water tight anymore.
In case of a defect, the complete hand unit must be replaced.

Charging unit (2)

In case of a defective charging unit or cordset, the complete charging unit must be replaced.

NOTES

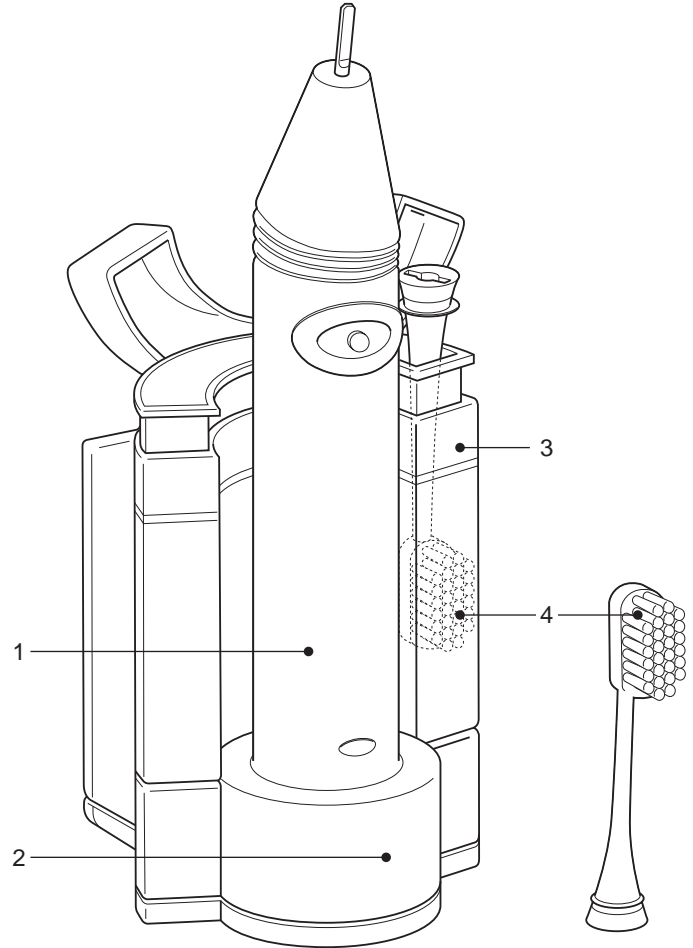
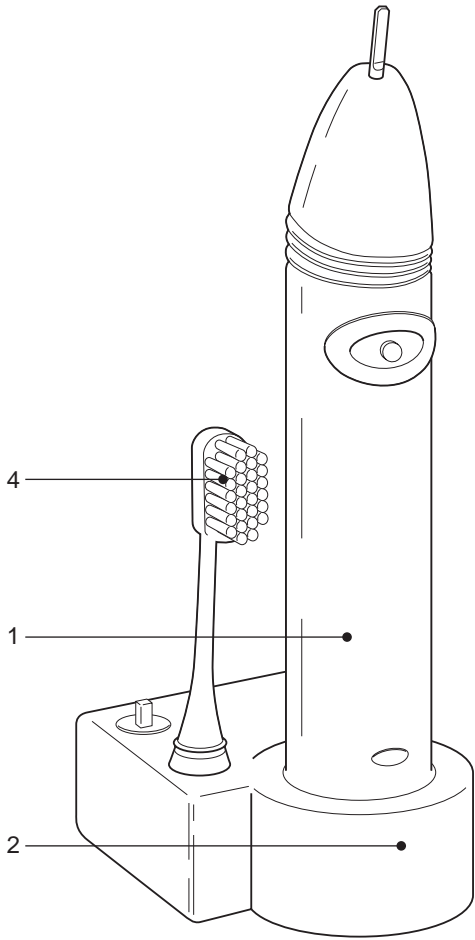
For standardisation reasons, the hand units of the HP 355 and HP 405 have to be replaced by the hand unit of the HP 505.
The charging unit of the HP 355 has to be replaced by the charging unit of the HP 405

When discarding the appliance, remove the built-in rechargeable battery.
The battery should be completely empty of charge.

Product meets the requirements regarding interference suppression on radio and T.V.

**HP 355
HP 405**

**HP 505
HP 555**



Pos	Description	Service code	HP 355	HP 405	HP 505	HP 555
1	hand unit toothbrush NiMh	4822 690	10074	10074	10074	10076
1	hand unit toothbrush NiCd	4822 690	10075	10075	10075	10077
2	charging unit 200-240 V	4822 219	10021	10021	10023	10023
2	charging unit 100-127 V	4822 219	10022	10022	10024	10024
3	container brushes	4822 441 81111	-	-	X	X
4	2 brushes HP 5926/2	4822 479 20129	X	X	X	X
4	2 brushes HP 5926/4	4822 479 20131	X	X	X	X
4	2 brushes for children HP 5927/2	4822 479 20132	X	X	X	X