

Service  
Service  
Service



Philips Domestic Appliances and Personal Care

# Service Manual

## PRODUCT INFORMATION

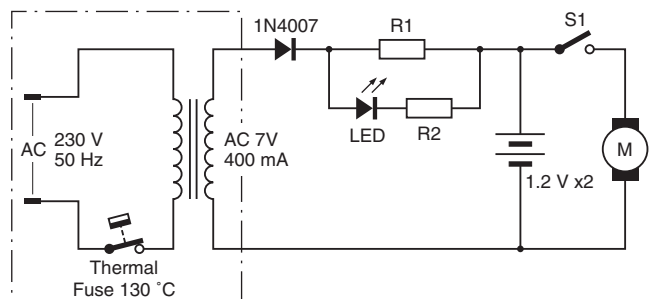
Rechargeable batteries	: 2 x 1.2V NiCd / 2 x 1600 mA
Transformer AC / AC	: 230 / 7V AC - 400 mA
Charger indicator	: Led red
Operation time (fully charged)	: > 10 minutes
Dust capacity (dry)	: 0.3 L
Colour setting	: Comfort white
Weight	: 0.6 kg
Dimensions	: 13 x 10.5 x 38.5 cm
Cord length	: 1.8 m
Air flow	: 0.22 m <sup>3</sup> / minute

## SERVICE INFORMATION

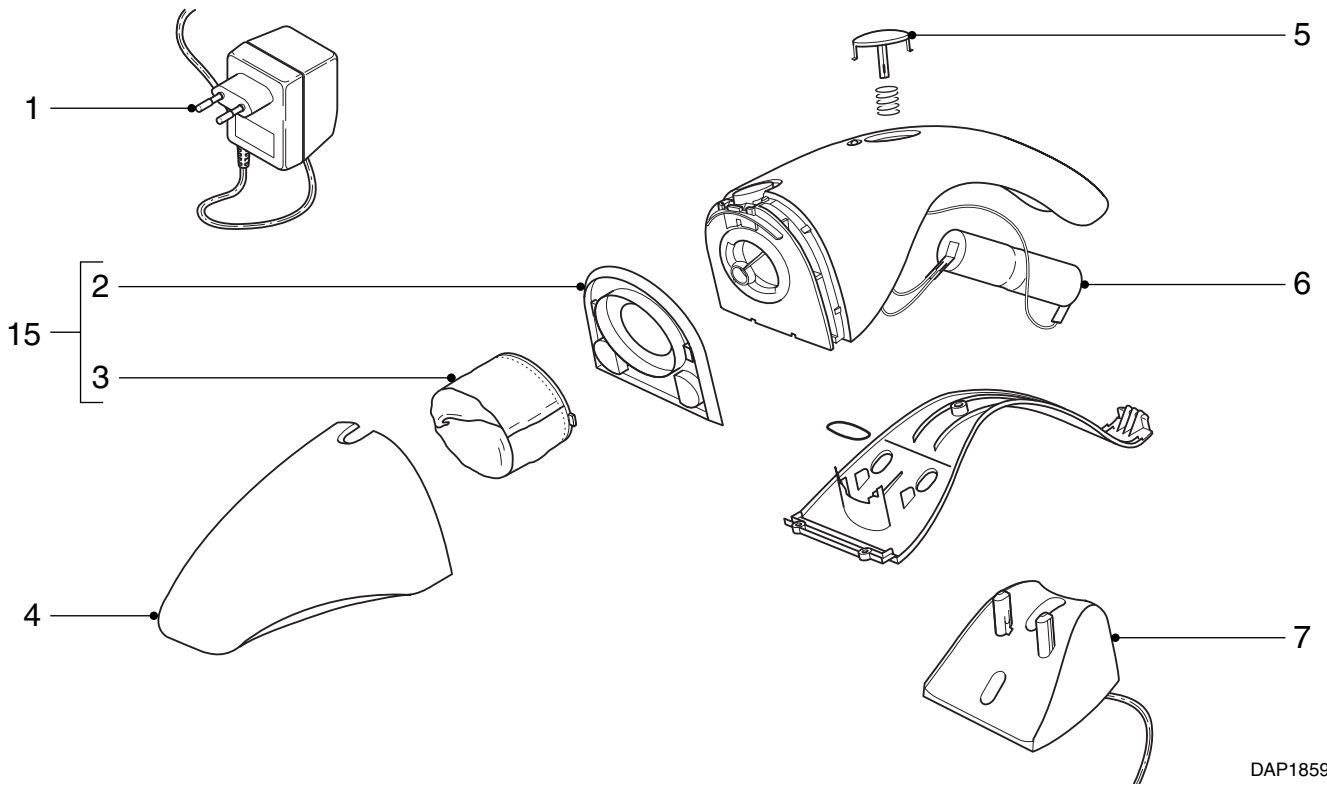
- The dust container and wall holder are all interchangeable for all versions, only with color difference.
- Washable permanent filter is available under type number FC 8035 (8838 035 01010).
- The rechargeable batteries contained substances, which may pollute the environment. Dispose unused cells at especially assigned places.
- If a repair has been executed, ensure that all the functions of the appliance are working correctly.
- Operating time is defined as the time it takes to discharge 50 % of the nominal capacity of the batteries.

This product meets the requirements regarding interference suppression on radio and TV.

After the product has been repaired, it should function properly and has to meet the safety requirements as officially laid down at this moment.



# FC 6044



DAP1859

Item	Description	Service code
1	Adapter - EU	9965 000 06425
	Adapter - U.K.	9965 000 06426
	Adapter - Taiwan	9965 000 06427
	Adapter - Korea	9965 000 06428
2	Filter holder assy	9965 000 11090
3	Dust bag dry	9965 000 10791
4	Dust container	9965 000 11089
	white	
5	Switch knob assy	9965 000 11092
6	Rechargeable batterie	NiCd
	Not available	
7	Wall holder	white
	9965 000 11091	
15	Filter assy	9965 000 13456
	Dry filter set (2 pcs)	8838 035 01010