

Service
Service
Service



Philips Domestic Appliances and Personal Care

Service Manual 4322 277 00638 is herewith cancelled

Service Manual

GENERAL INFORMATION

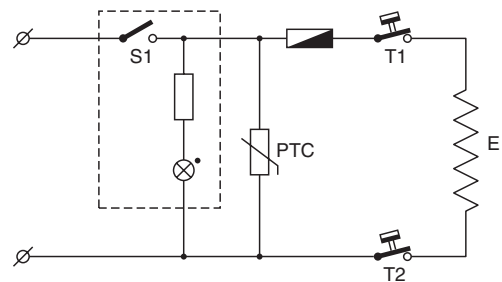
SAP coding HD 5400/7

After actuating the main switch S1 (item 10/11) water in container 33 starts to heat up, because thermostats T1 and T2 are switched on (item 23 and 31).

After the boiling point has been reached, sensor-spring 19 expands and pushes rod 20 downwards. The hot water flows along thermostat T1 and rubber valve 24, into filter 1.

When all the hot water has passed, thermostat T1 has been heated up and has switched off the heating element. The function of thermostat T2 (item 31) is only to limit the temperature of the heating element.

To start the process again, cold water must be poured via lid 40, along sensor 19. This sensor will close valve 24 and thermostat 23 will cool down immediately and switch on the element.



PRODUCT INFORMATION

Voltage	: 230 V
Frequency	: 50 - 60 Hz
Power consumption	: Heating element 1250 W PTC-element 50 W
Coloursetting	: Grey/Lilac
Tank/jug capacity	: 1000 cc

SERVICE INFORMATION

Thermostat T1	: 75°C
Thermostat T2	: 140°C
Fuse cut-off temp.	: 192°C

REPAIR INSTRUCTION

1. De-scaling

In case the valve system is nearly or less clogged by scale, operate the coffeemaker two times with a 10-15% solution of vinegar, citric or tartar acid.

Do not use other de-scaling agents as they may harm the appliance.

In addition to this operation it is recommended to clean the inside of the glass tank with a acid-soaked cloth. After the de-scaling procedure, operate the coffeemaker with tap water to rinse away any residual substances.

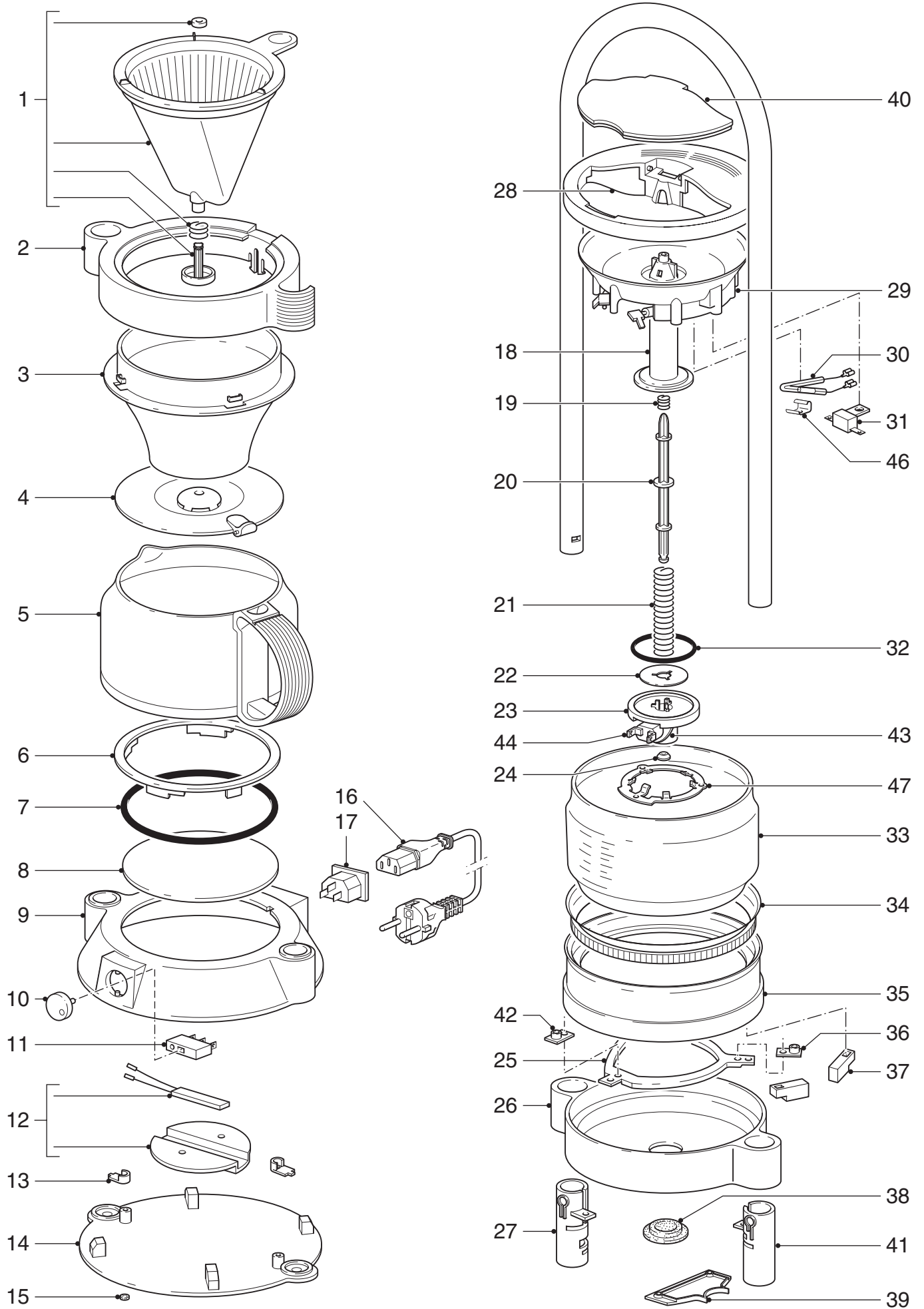
2. Exchanging rubber valve item 24

To get some room simply push rod 20 downwards at place A. Now the small rubber valve can be removed and a new be fixed.

This product meets the requirements regarding interference suppression on radio and TV.

After the product has been repaired, it should function properly and has to meet the safety requirements as officially laid down at this moment.

HD 5400/7



Pos	Service code	Description
1	9965 000 06592	FILTER ASSY
2	9965 000 09351	FILTER SWIVEL
3	9965 000 09352	FILTER HOLDER
4	9965 000 09353	JUG COVER LID
5	8827 976 70000	JUG 1000 CC GREY/LILAC
6	4822 532 12339	HOTPLATE RING
7	9965 000 06596	SILICONE RING
8	4822 466 83242	HOTPLATE
9	9965 000 09354	FOOT PLATE
10	9965 000 09355	SWITCH COVER
11	9965 000 06600	SWITCH
12	9965 000 06601	HEATING ELEMENT
13	4822 404 40851	FIXING PIECE
14	9965 000 09358	BOTTOM
15	9965 000 06603	FOOT RUBBER
16	4822 321 11485	CORD
17	4822 265 11568	APPLIANCE INLET
18*	9965 000 09357	INLET VALVE ASSY (NEW)
19*		INLET VALVE ASSY (NEW)
20*		INLET VALVE ASSY (NEW)
21*		INLET VALVE ASSY (NEW)
22	4822 532 13075	RING
23*		INLET VALVE ASSY (NEW)
24*		INLET VALVE ASSY (NEW)
25	4822 404 40852	FIXING BRACKET
26	9965 000 09356	HOUSING PART
27	9965 000 09362	FIXING BUSH
28	9965 000 09359	TANK LID
29	9965 000 06608	HEATING ELEMENT, 230 V / 1250 W
30	9965 000 12800	THERMAL FUSE, 192 °C
31	4822 282 20289	THERMOSTAT HEATING ELEMENT
32	4822 532 52702	SEALING RING
33	4822 418 40998	GLASS CONTAINER
34	4822 532 61282	SEALING RING
35	9965 000 09360	ELEMENT HOUSING
36	4822 466 12075	ISOLATION PART
37	9965 000 06610	ISOLATION PART
38	4822 532 52703	RUBBER SEALING
39	9965 000 09364	COVER CORD TERMINAL
40	9965 000 09361	COVER LID WATERTANK
41	9965 000 09363	FIXING BUSH
42	9965 000 06614	ISOLATION PART
43	9965 000 06615	GASKET
44	9965 000 06616	THERMOSTAT VALVE
45		
46	9965 000 06617	BRACKET THERM. FUSE
47	9965 000 06618	SPRING

*** ATTENTION !!!**

If one of the parts from the mechanical valve construction is defect and has to be repaired, it's not possible to replace only one part of the construction.

This because of a major change in the new kit assy.

Therefore the whole assy has to be replaced.