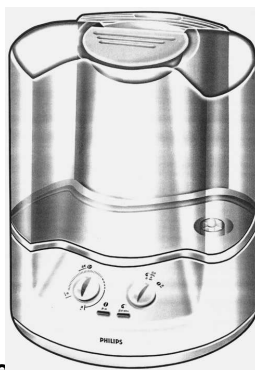


Service Service Service



Philips Domestic Appliances and Personal Care

Service Manual

PRODUCT INFORMATION

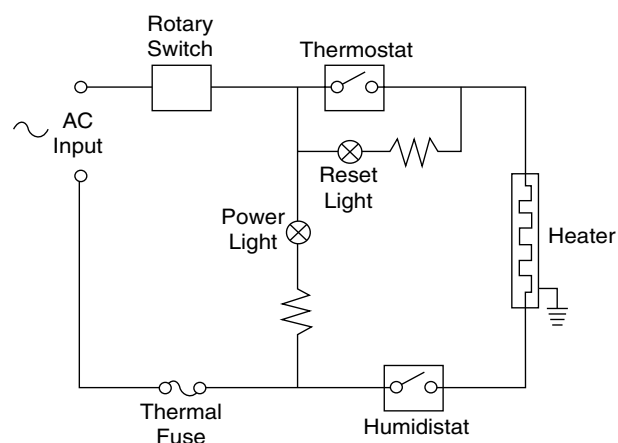
Voltage	: 220V
Frequency	: 50Hz
Power consumption	: 365W
Capacity	: 4 Liters

SERVICE INFORMATION

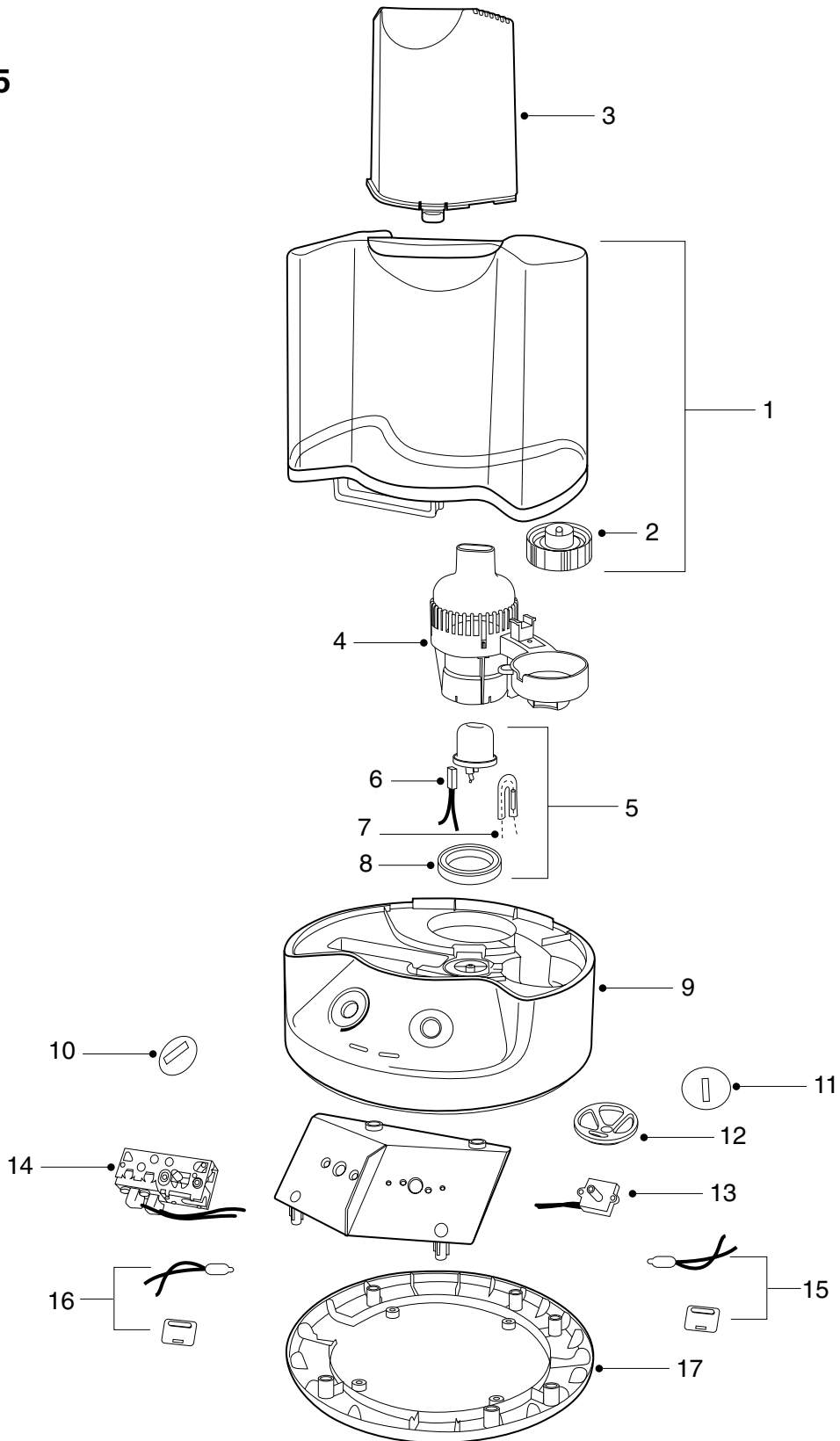
- When the appliance is turned ON, it is normal to take about 2-3 minutes to warm up and begin to mist.
- When the water tank is empty, the Automatic Shunt Off, which control by a thermostat, will function. After refilled the water tank, it has to wait for about 5 minutes for the Automatic Shunt Off function to reset.

Note:

When the appliance is first turned ON, the Adjustable Humidistat Knob should be in HI position to shorten the warm up time. In LO position, it will take longer to start.



HD4195



1	Tank	9965 000 01403	10	Humidity knob	9965 000 01415
2	Tank cap	9965 000 01404	11	ON/OFF knob	9965 000 01416
3	Funnel	9965 000 01405	12	Holder	9965 000 01417
4	Cover	9965 000 01408	13	ON/OFF switch	9965 000 01418
5	Heater assy	9965 000 01410	14	Humidistat	9965 000 01419
6	Thermostat	9965 000 01411	15	Refill light assy	9965 000 01420
7	Thermal fuse	9965 000 01426	16	ON/OFF light assy	9965 000 01421
8	Sealing ring	9965 000 01413	17	Base	9965 000 01422
9	Body	9965 000 01414			