



Philips Domestic Appliances and Personal Care

Service Manual

PRODUCT INFORMATION

Functions, features and operational aspects :

	HD 3271	HD 3272	HD 3273
Switch : 4 positions :			
○ off	x	x	x
⚙ cold air	x	x	x
● 1000 Watts	x	x	x
●● 2000 Watts	x	x	x
Thermostat with frost protection ❄	-	x	x
Pilot light	-	x	x
Resettable cut-out	x	x	x
Wall bracket / Stand	-	-	x

Voltage / frequency 50 -60 Hz : 220 - 230 V
 Power consumption : 2000 Watts
 Safety : insulation class

Product meets the requirements regarding interference suppression on radio and TV.

CAPS OPERATION KNOBS 1

SWITCH KNOB 2

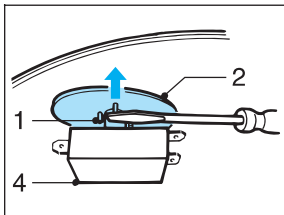
THERMOSTAT KNOB 3

SWITCH 4

THERMOSTAT 5

PILOT LIGHT 9

remove **SCREW A (4x)**
 remove **FRONT PART 101**
 remove **CAPS OPERATION KNOBS 2**



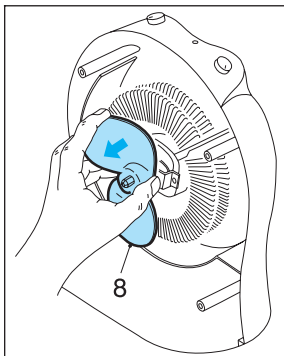
MOTOR 7

HEATING ELEMENT 6

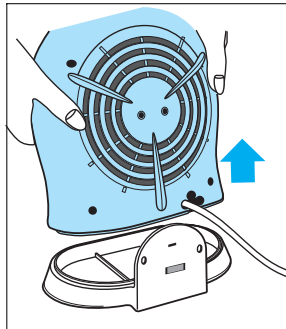
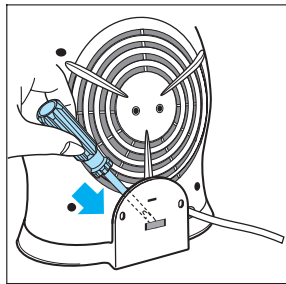
remove **SCREW A 4x**
 remove **FRONT PLATE 101**
 remove **SCREW B 2x**

FAN BLADE 8

remove **SCREW A 4x**
 remove **FRONT PLATE 101**



STAND 102



POS.	DESCRIPTION	SERVICE CODE
1	CAP OPERATION KNOBS	4822 462 10812
2	SWITCH KNOB	4822 410 10791
3	THERMOSTAT KNOB	4822 410 10792
4	SWITCH	4822 273 10319
5	THERMOSTAT	4822 282 10299
6	HEATING ELEMENT	4822 259 10212
7	MOTOR	4822 361 10521
8	FAN BLADE	4822 515 20148
9	PILOT LAMP	4822 134 10056

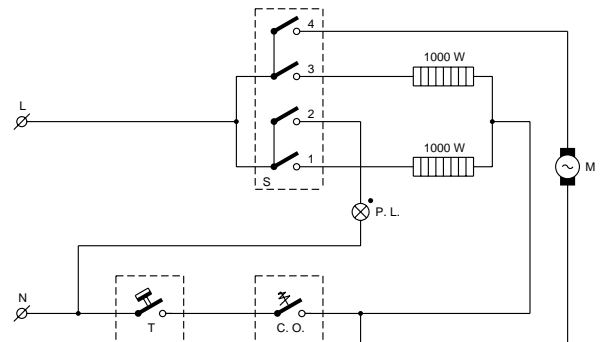
NOTE:

For standardisation reasons, only the red-coloured operation knobs have been incorporated into this manual.

The grey coloured knobs have to be replaced by the red-coloured ones.

When a cordset has to be replaced, always use a cordset with core wires with a diameter of 1.0 mm².

Parts, with numbers from 100 upwards, cannot be ordered separately.



L = LINE
 N = NEUTRE
 T = THERMOSTAT (Not included in HD3271)
 C. O. = CUT OUT
 P. L. = PILOT LIGHT (Not included in HD3271)
 S = SWITCH
 M = MOTOR

DAP0244

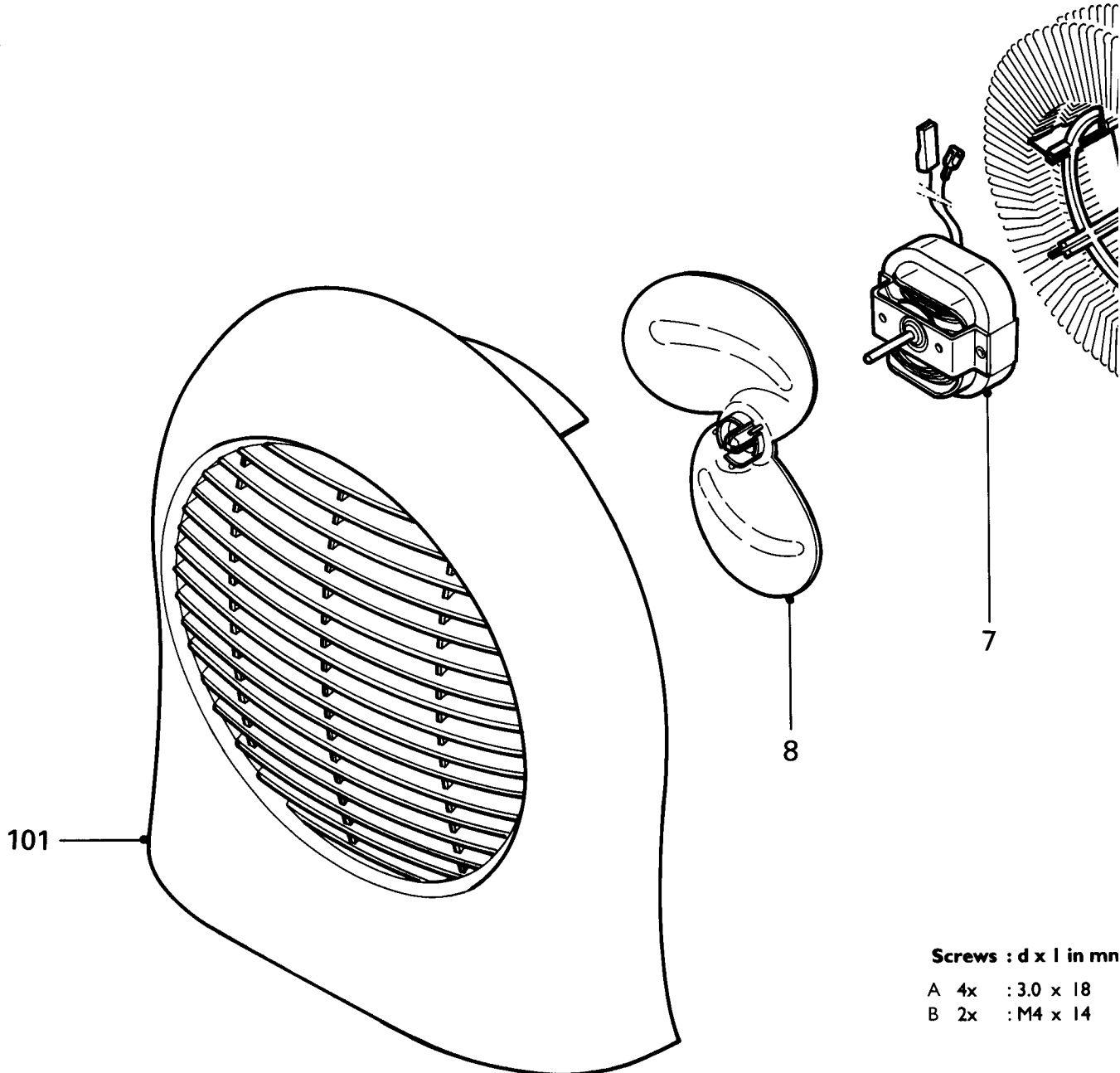
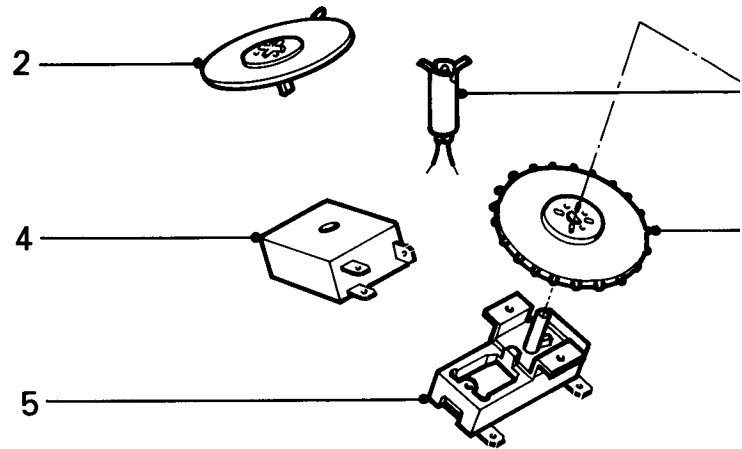
NOTE: AFTER THE PRODUCT HAS BEEN REPAIRED, IT SHOULD FUNCTION PROPERLY AND HAS TO MEET THE SAFETY REQUIREMENTS AND LEGAL REGULATIONS AS LAID DOWN AND OFFICIALLY ESTABLISHED AT THIS MOMENT.

Possible complaints

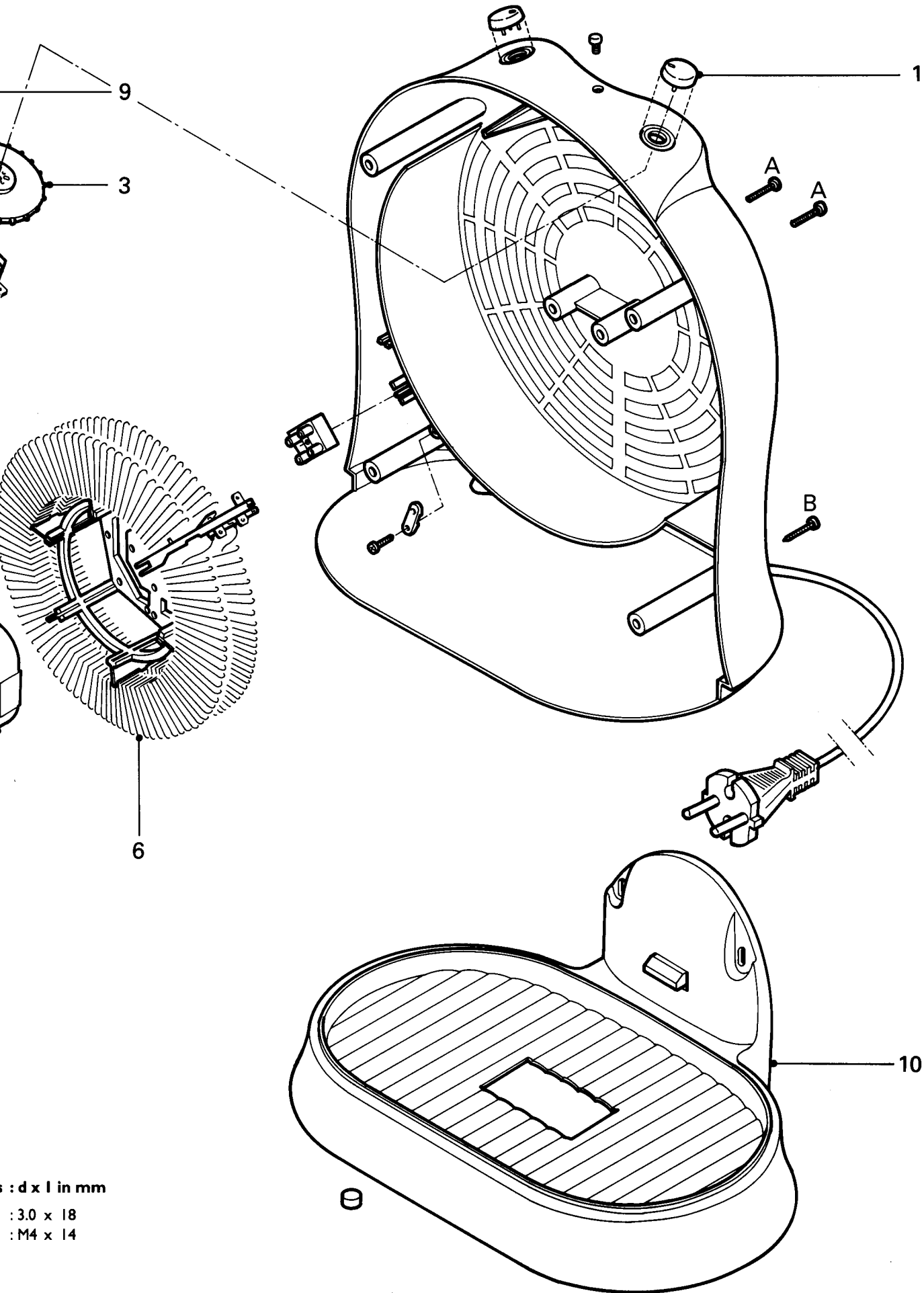
The heater doesn't function :

- 1) When set to the cool air setting
 - action: Set the thermostat knob to the highest position.
- 2) The overheating safety device has been activated
 - action: To reset the overheating device, remove the mains plug from the wall socket and let the heater cool down for 30 minutes.

EXPLODED VIEW HD 3271 / HD 3272 / HD 3273



Screws : d x l in mm
A 4x : 3.0 x 18
B 2x : M4 x 14



Dimensions: d x l in mm
 : 30 x 18
 : M4 x 14