



Philips Domestic Appliances and Personal Care

# Service Manual

SAP coding HD2580/01

## PRODUCT INFORMATION

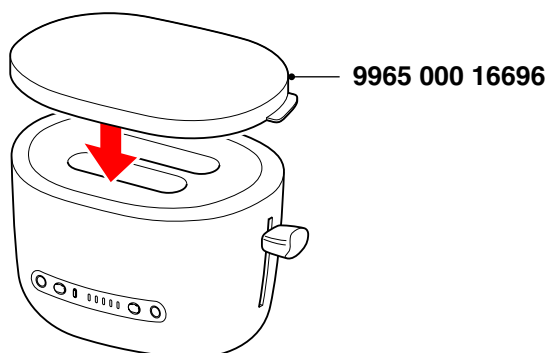
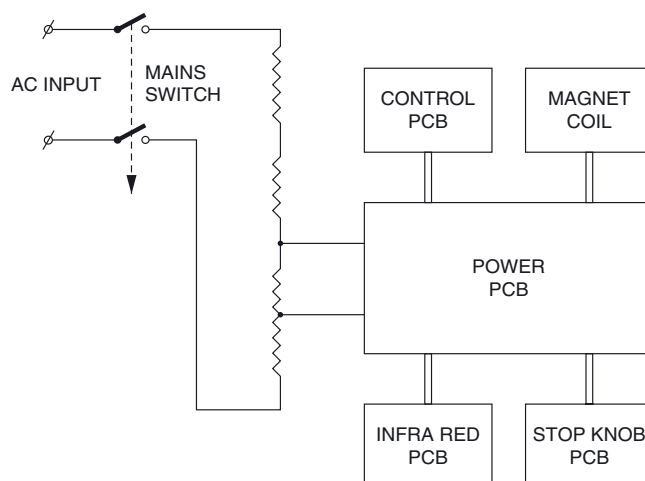
Voltage : 220 - 240 V  
 Frequency : 50 - 60 Hz  
 Power consumption : 830 W  
 Coloursetting : White

## SERVICE INFORMATION

To open the appliance, a special screwdriver is needed.

The code number to order this special screwdriver is:  
 9965 000 15315

For the **HD2580/82 version**, the white dust cover ordering number is 9965 000 16696

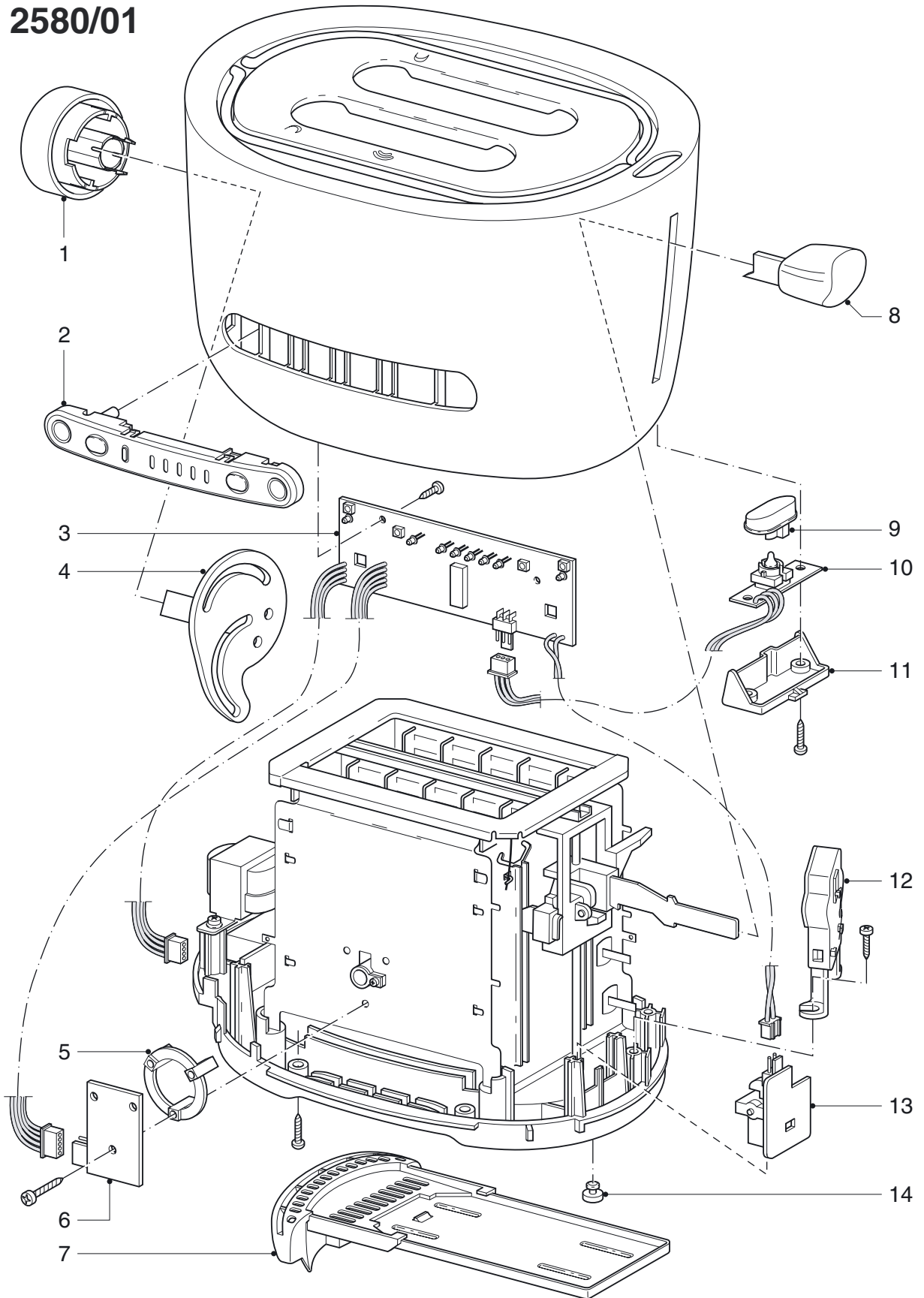


This product meets the requirements regarding interference suppression on radio and TV.

After the product has been repaired, it should function properly and has to meet the safety requirements as officially laid down at this moment.



# HD 2580/01



Pos	Description		Service code
1	Bunwarmer knob	white	9965 000 14830
2	Control panel assy		9965 000 14832
3	Main PCB assy		9965 000 14833
4	Bunwarmer wheel		9965 000 14834
5	Sensor support		9965 000 14835
6	Sensor PCB assy		9965 000 14836
7	Crumtray complete	white	9965 000 14837

Pos	Description		Service code
8	Leverbar knob	white	9965 000 14838
9	Cancel Button		9965 000 14839
10	Cancel PCB assy		9965 000 14840
11	Cancel PCB holder	white	9965 000 14841
12	Mains switch assy		9965 000 14842
13	Solenoid PCB assy		9965 000 14843
14	Rubber feet	white	9965 000 14844