



Philips Domestic Appliances and Personal Care

Service Manual

PRODUCT INFORMATION

Features

Iron

Professional

- Aluminium soleplate
- Max. steam output 90 g/min
- Shot of steam (SOS)
- Cord length 1.9 m

Boiler

- Inox boiler
- Capacity 1.5 litres
- Vario steam
- Steam ready indicator
- manometer
- anti scaling funnel

Safety Information

- This product meets the requirements regarding interference suppression on radio and TV.
- After the product has been repaired, it should function properly and has to meet the safety requirements and legal regulations as officially laid down at this moment.

TECHNICAL INFORMATION

Voltage : 220 - 240 V

Frequency : 50 - 60 Hz

Power consumption : Iron : 700 W
Boiler : 1500 W

Pressure : 3.5 bar

Water advice

Suitable for tap water use. However if the tap water in your area is very hard, we advise you to mix it with a equal portion of distilled water or to use distilled water only.

Vertical Steam

When the iron is kept in a vertical position, the shot of steam (S.O.S) button can be used to iron hanging fabrics such as curtains.

Vario steam

The vario steam function allows user to have control over the steam rate and this prevent over moisturising the cloth.

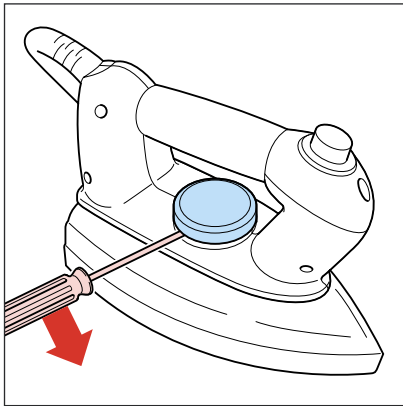
Manometer

It is a device clearly indicating the pressure inside the boiler is within the safe or 'no danger zone'.

Anti calc

The anti calc is integrated in the funnel and softens the water that goes into the boiler.

REPLACE DIAL 1



IRON HANDLE 2 + 3

INLAY 4

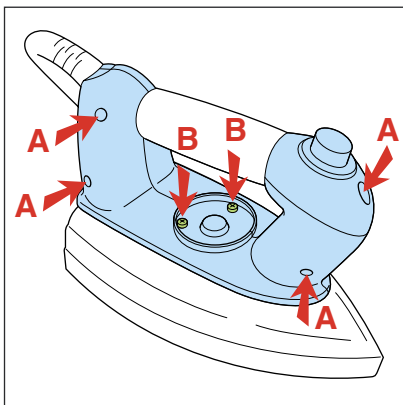
IRON LAMP 7

STEAM TRIGGER 8

MICRO SWITCH 11

FRONTAL JET STEAM KNOB 14

- disassemble DIAL 1
- remove screw A (4x)
- remove screw B (2x)



CORK HANDLE 5

- disassemble DIAL 1
- remove screw A (4x)
- remove screw B (2x)
- disassemble IRON HANDLE 2 + IRON HANDLE 3 INLAY 4
- remove screw C (2x)

INTERMEDIATE CABLE 9

SWIVEL 10

- disassemble DIAL 1
- remove screw A (4x)
- remove screw B (2x)
- disassemble IRON HANDLE 2 + IRON HANDLE 3 INLAY 4
- remove screw C (2x)
- disassemble CORK HANDLE 5
- remove screw D (3x)

IRON METAL SKIRT 12

SOLEPLATE UNIT 13

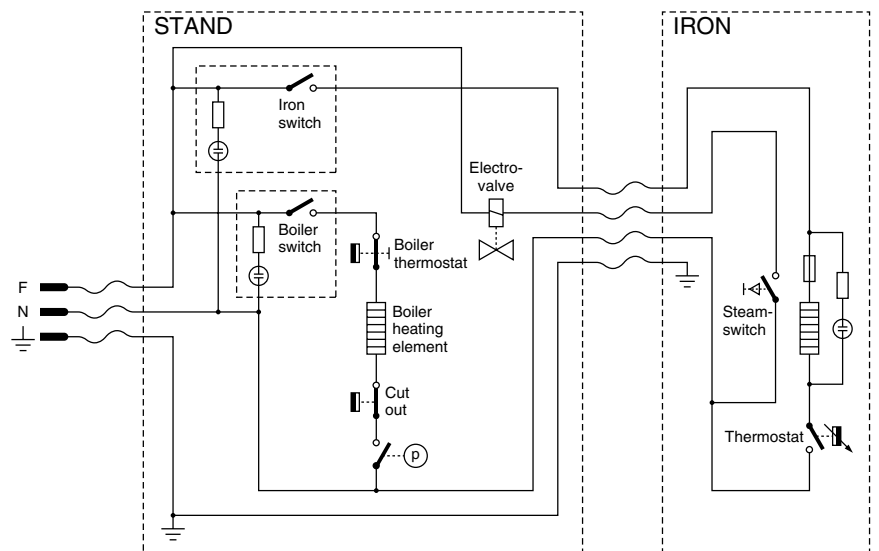
- disassemble DIAL 1
- remove screw A (4x)
- remove screw B (2x)
- disassemble IRON HANDLE 2 + IRON HANDLE 3 INLAY 4
- remove screw C (2x)
- disassemble CORK HANDLE 5
- remove screw D (3x)
- remove screw E (2x)

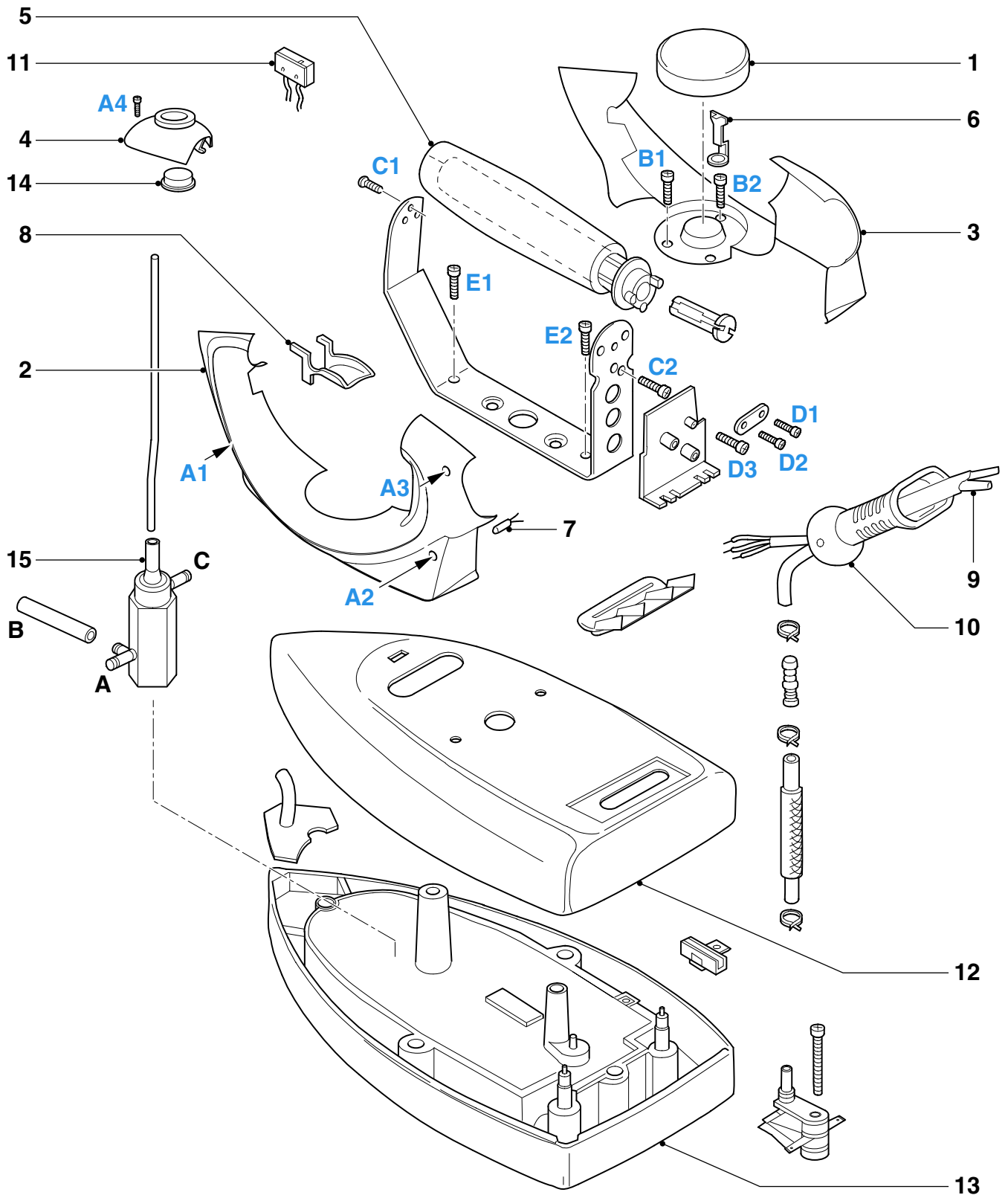
REPAIR INSTRUCTIONS - IRON

- No specific issues

OPTIONAL (accessories)

- No specific issues





Pos	Service code	Description
1	9965 000 13323	Dial
2	9965 000 13324	Iron Handle - Left part
3	9965 000 13325	Iron Handle - right part
4	9965 000 13331	Inlay
5	9965 000 13300	Cork handle
6	9965 000 13301	Thermostat joint
7	9965 000 13305	Iron Lamp
8	9965 000 13306	Steam trigger

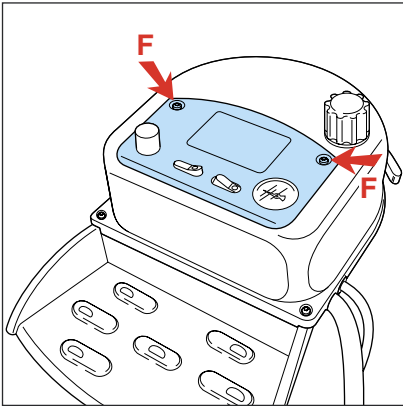
Pos	Service code	Description
9	9965 000 13307	Intermediate cable
10	9965 000 13238	Swivel
11	9965 000 13308	Micro switch
12	9965 000 13332	Iron metal skirt
13	9965 000 13333	Soleplate unit (professional)
14	9965 000 13334	Frontal jet of steam knob
15	4239 010 08940	Steam deviator

■ = changed

disassemble SAFETY CAP 21

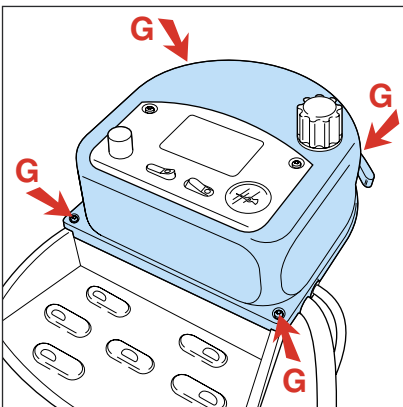
SWITCH PANEL 22

remove screw F (2x)



SUPERIOR STAND 23

remove screw G (4x)



remove the SUPERIOR STAND 23 now and you will see the respective parts of the Boiler

Pos	Service code	Description
21	9965 000 13348	Safety cap
22	9965 000 13349	Switch panel
23	9965 000 13313	Superior stand
24	9965 000 13251	Main switch
25	9965 000 13314	Tray rubber foot
26	9965 000 13315	Iron clip
27	9965 000 13328	Steam dial
28	9965 000 01900	Steam regulation
29	9965 000 13316	Electrovalve
30	9965 000 01782	Filling hole gasket
31	9965 000 13317	Lateral Alu protection
32	9965 000 13318	Complete tray
33	9965 000 13330	Complete boiler unit, Inox
34	4822 462 71999	Boiler rubber feet
35a	9965 000 13320	Supply cable (Europe)
35b	9965 000 13321	Supply cable (Italy)
36	9965 000 13322	Inferior stand
37	9965 000 13329	Boiler lamp
38	9965 000 08246	Funnel and Anticalc
39	9965 000 13350	Manometer

REPAIR INSTRUCTIONS - STAND

- For disassembly, you will need a Torx screwdriver 362 TR T20 x 100.
- The thermostat fitted to the SOLEPLATE UNIT 13 has been adjusted by supplier and secured by glue.
To avoid disfunction of the iron, NEVER readjust the thermostat.
- To avoid leakage of the sealings and damage to the components in and on the boiler, NEVER clean the boiler with vinegar, a descaling agent or other chemicals.
- The boiler doesn't contain serviceable parts. NEVER disassemble the boiler body or component and/or components on and in the boiler.
- The boiler is required to be rinsed after every ten times use.
- ALWAYS REPLACE BOILER (Pos 33) WHEN:
 - the mechanical safety valve has been activated.
 - the boiler thermostat or hand –resettable safety thermostat are open.
 - the electrovalve fails or the sieve is soiled with scale.

