

Service
Service
Service

FC8428
/02
/A



Philips Domestic Appliances and Personal Care

Service Manual

PRODUCT INFORMATION

- Colour: Crushed ice
- Electronically controlled motor speed
- Built-in cord winder
- Dustbag-full indicator in dust cover
- This product meets the requirements regarding interference suppression on radio and TV.
- After the product has been repaired, it should function properly and has to meet the safety requirements as officially laid down at this moment.

TECHNICAL INFORMATION

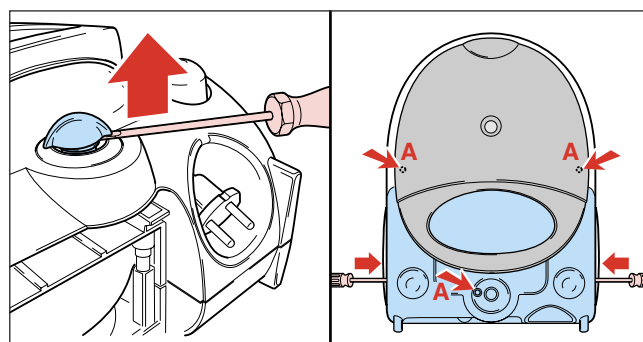
- Maximum air displacement : 34 l/sec.
- Maximum vacuum water column : 260 cm
- Power consumption (IEC) 225V : 1500 W
- Dust storage capacity : 2 l
- Cord length (depends on version) : 6 m
- Filter system : 5 filters
- Dimensions of cleaner : 382 x 292 x 218 mm
- Dimensions of packaging : 510 x 305 x 330 mm
- Net weight : 4,5 Kg
- Gross weight : 8,0 Kg
- Noise : 79 dB

OPTIONAL (accessories)

- FC8021 S-paper dustbags 8838 021 0000
- FC8044 Exhaust HEPA filter 8838 044 01010
- HR6997 Sydney cotton dustbag 8836 997 01010

DISASSEMBLY- AND RE-ASSEMBLY ADVISE

- First lift and remove the knob and printed knob base and then loosen mounting screws **A**.

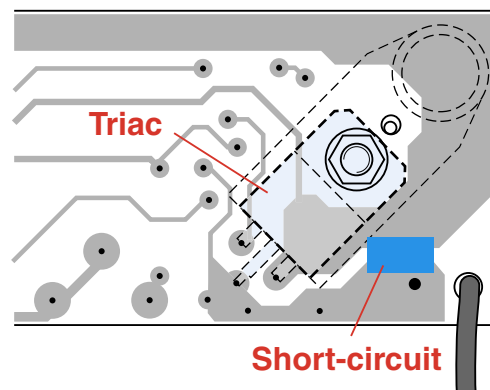
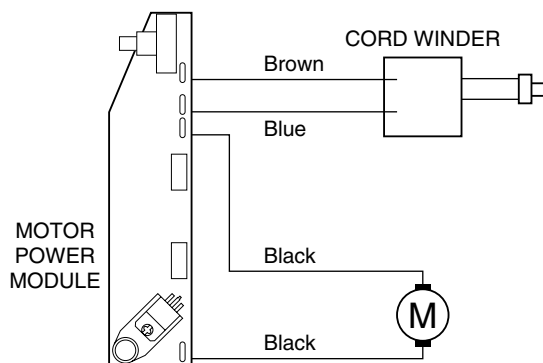


- Lift the motor housing (item 26) out of the lower housing and take out the cord winder unit.
- To disassemble the cord winder, use TORX screwdriver no. T10, which is one of a set consisting of T20; T15; T10; T9; T8; T7 and T6 (code number 4822 395 50145).

REPAIR INSTRUCTION

- The spare parts have been standardized as much as possible.
- Cotton dustbags are used in countries where paper dustbags are unobtainable.
- If the reel half spring unit is replaced, shaft **F** must be lubricated with **silicone grease**. Do not apply any silicone grease to or spill any grease on terminals (36) or conductors (35).
- **Item 34** is provided with a long cord-winder spring, but both long and short cords can be used in combination with this spring. (L = 9.3 m)
- Depending on the length of the original cord, the spare cord may have to be shortened.
- The cord winder spring must be tensioned to the maximum level and then be rewound approx. 1.5 turn
- The RPM can be adjusted by means of the potentiometer mounted on the PCB (**item 25**). The RPM is correctly adjusted if the motor starts automatically and continues to run smoothly with the ON/OFF position and the adjustable potentiometer in minimum position.
- If the function of the electronic control unit (**item 25**) is not required, the Triac must be short-circuited in the manner shown in the circuit diagram.
- When the vacuum cleaner is used to suck up fine dust, the pores of the dustbag may become clogged, causing the passage of air through the dustbag to become obstructed. As a result, the dustbag-full indicator will indicate that the dustbag needs to be replaced, even though the dustbag is not full at all.

ELECTRICAL DIAGRAM

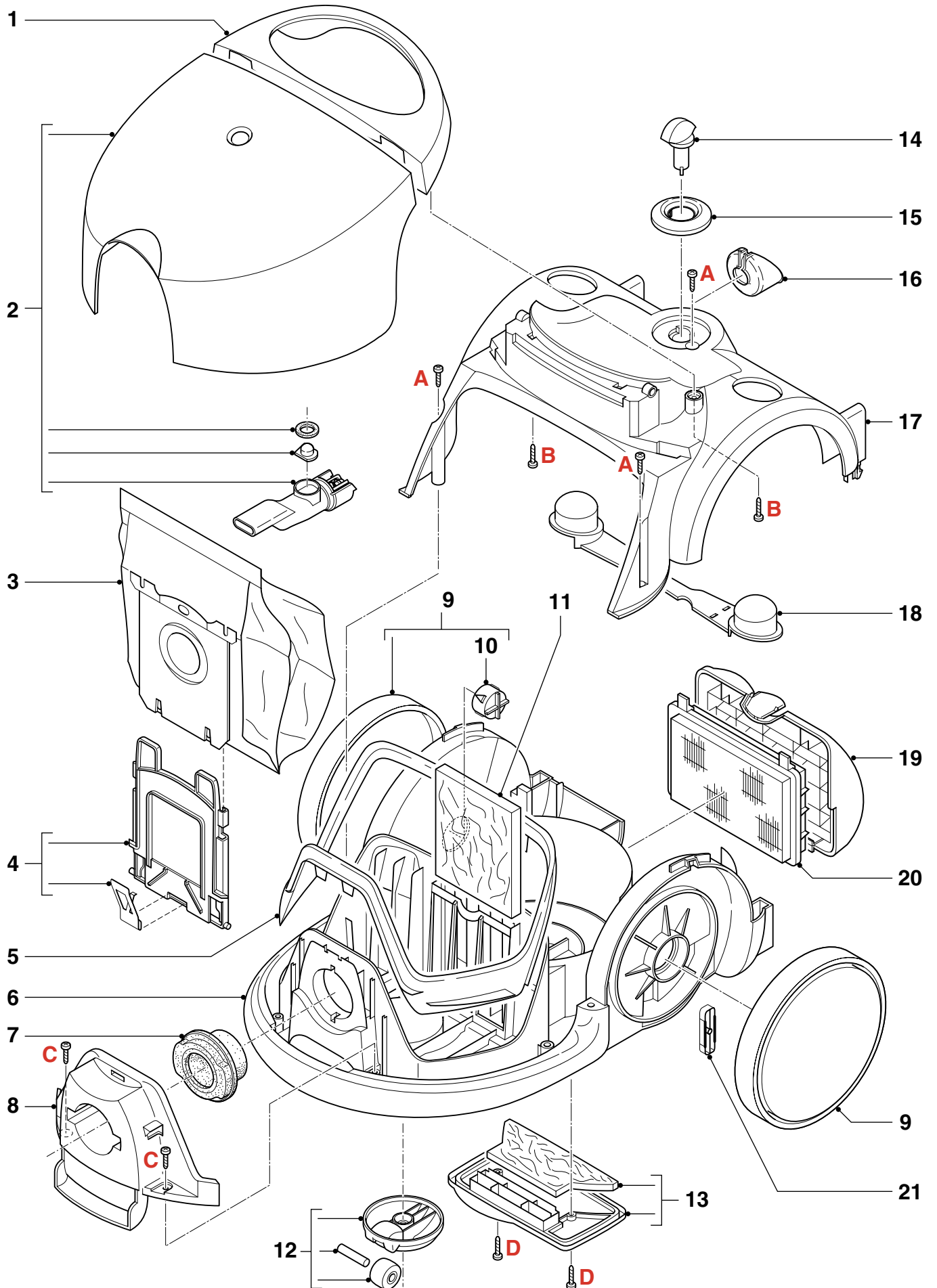


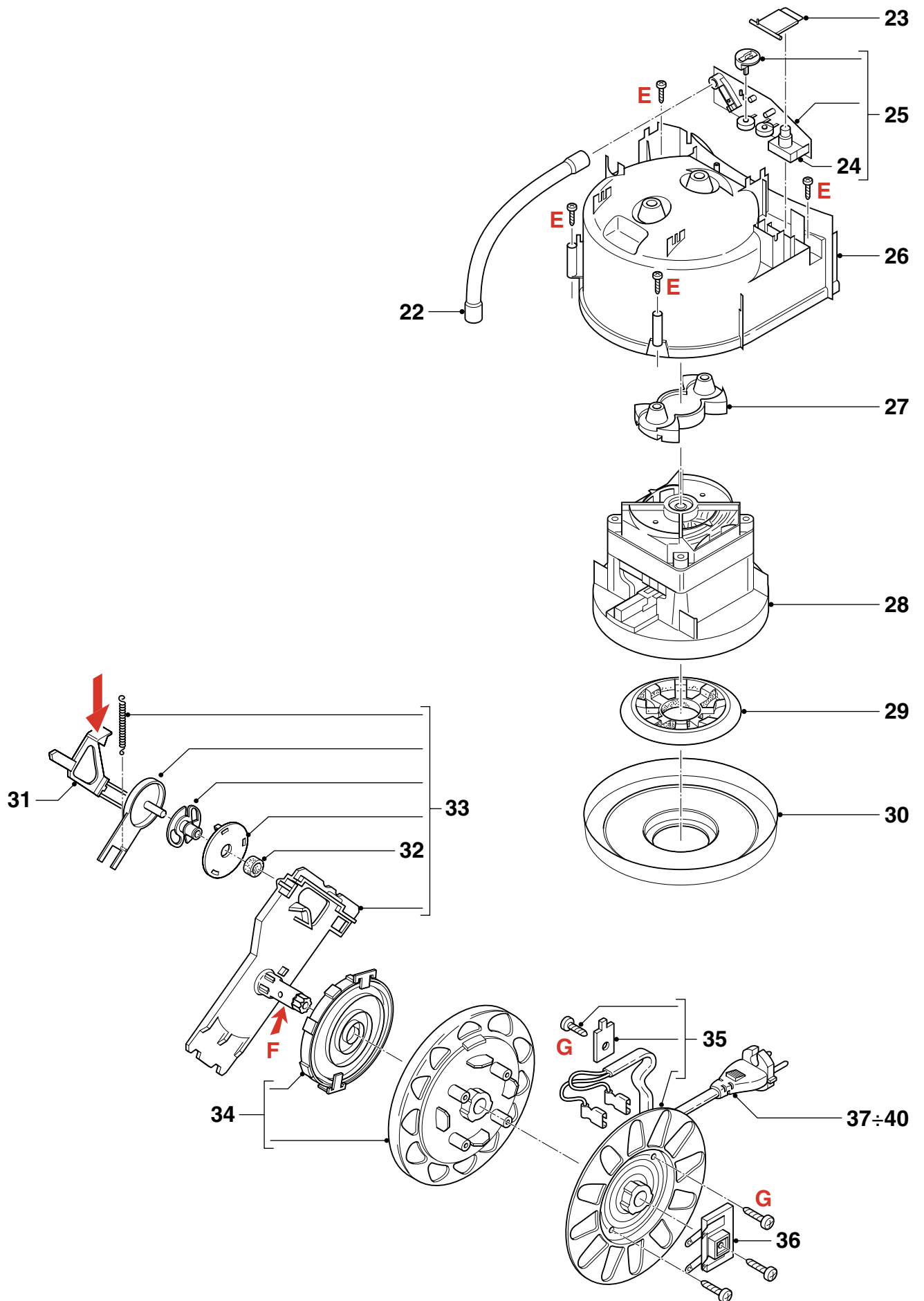
PARTS LIST

FC8428/02/A

Pos	Service code	Description	
1	4341 009 00690	handle	Crushed ice
2	4341 009 00740	dust cover	Crushed ice
3	8838 021 00000	S-bag set	
	4822 480 10115	cotton dustbag	(opt.)
4	4341 009 00760	dustbag frame	
5	4341 001 70180	dust cover sealing	
6	4341 009 00800	lowerhousing assy	
7	4341 001 70190	inlet rubber	
8	4341 003 02180	nose piece	
9	4341 009 00790	rear wheel standard	
10	4322 003 12220	wheel bush	
11	4822 480 40234	safety filter	
12	4341 009 00770	caster assy	
13	4341 009 00780	cover and filter	
14	4341 005 00780	turn knob grip stand	
15	4341 005 01360	knob base	
16	4341 003 02280	cord outlet	
17	4341 009 00810	upper housing	
18	4341 003 02310	pedal	
19	4341 003 02450	S-class back grille	
20	8838 044 01010	S-class filter	
21	4341 003 02240	wheel peg	
22	4341 003 02330	cooling tube	
23	4341 003 02390	switch lever	
24	4322 006 50600	switch soldered	
25	4341 006 20560	PCB ANS EL 220 - 240 V	
	4341 006 20570	PCB ANS EL 120 V	
26	4341 003 02320	motor cap	
27	4341 001 70210	buffer back	

Pos	Service code	Description	
28	4322 009 06430	motor ANS 1451 230 V	
	4322 009 06770	motor ANS 1241 EL 120 V	
29	4822 466 62655	buffer ring front	
30	4341 003 02360	ANS motor disc	
31	4322 003 06620	push rod	
32	4322 001 72360	brake tyre	
33	4322 009 07640	base plate assy	
34	4322 009 07610	reel half spring unit	
	4322 009 09060	reel half spring unit PRC	
35	4341 005 01330	reel half contact side	
36	4341 005 00790	contact plate assy	
37	4322 006 01770	flat cord set Japan/Taiwan	5.3 m
	4341 006 01890	cordset 1.0 / 5.3 m PRC / R	
38	4322 006 02100	flat cord set U.K./H.K.	6.3 m
39	4322 006 02060	flat cord set Euro/Korea	6.3 m
40	4322 006 02080	flat cord set Swiss	
41	4341 003 01960	bend stand.	
42	4341 004 20520	bend and hose assy	
43	4322 007 31640	leaf spring	
44	4322 001 99120	tube bush	
45	4322 007 45550	tube spring	
46	4322 004 41140	metal tube stand.	(opt.)
47	4322 004 22510	telesc.tube stand.	
48	4341 003 02470	accessory clip	
49	4341 003 01900	crevice nozzle stand.	
50	4322 004 22560	small nozzle stand.	
51	4322 004 22570	dusting brush stand.	
52	4322 004 22490	reach & clean nozzle stand.	
53	4322 004 22970	twist & clean nozzle stand.	(opt.)
54	4322 005 11040	polishing disc	(opt.)
55	8838 041 01010	pads for twist & clean nozzle	(opt.)





EXPLODED VIEW

FC8428/02/A

