

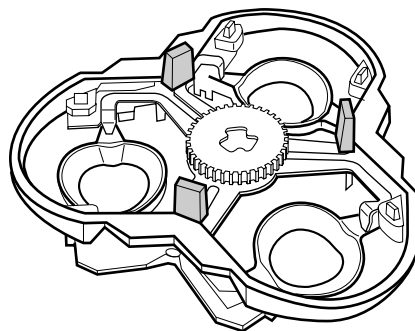
# Service Information

1998-11-16

HQ 5615/A HQ 5620/A  
HQ 5655/A HQ 5660/A

DAP 186

Domestic Appliances and Personal Care



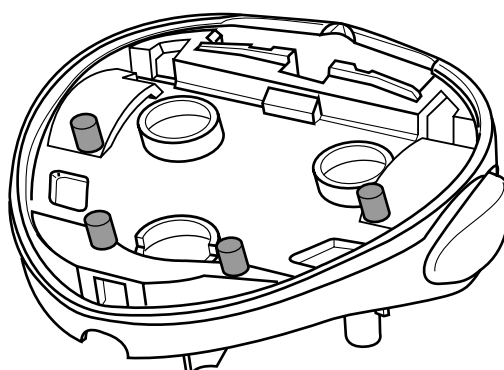
## CoolSkin

To solve problems with the **locking of the shaving** heads now a universal retaining plate is available under the same codenumber **4822 402 11012**.

This new retaining plate can be recognised by the fact that it has distinctive pegs on the hair chamber side of the outer frame.

**To avoid future repairs on this item, all shavers with a production code up to 9844 that are handed in for repair must be fitted with this new retaining plate.**

To prevent the mix-up of old and new retaining plates, it is advised to destroy all old retaining plates still present in your service organisation.



**Shavers HQ 5615 / HQ 5620 with production codes up to 9820** have hair chambers 4822 442 01327 which do not have 4 pegs like the new hair chambers.

If a new hair chamber with 4 pegs is to be fitted on a shaver with this production code, the pegs have to be removed, otherwise the trimmer will not fit.