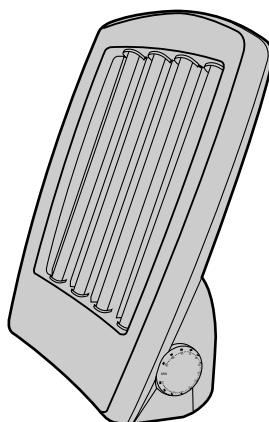


Service Service Service



Philips Domestic Appliances and Personal Care

Service Manual

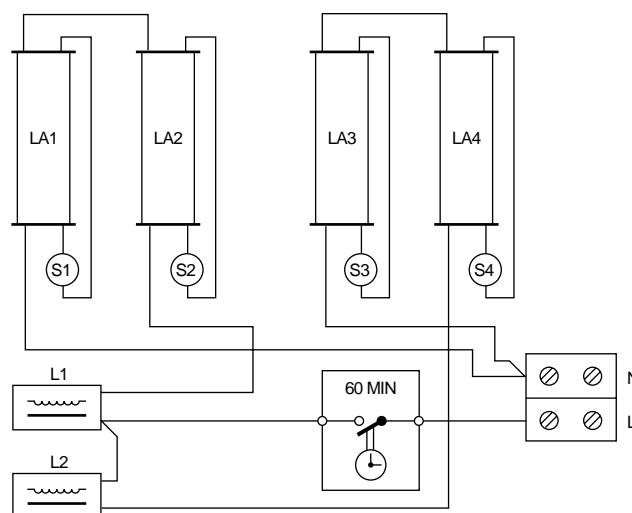
SAP coding HB 172

GENERAL

This solarium is especially intended for the tanning of the face. The UVA-source consists of 2x2 series connected TL's. The radiation distance is 10 cm or less. In connection with this small distance the advice is to wear protecting goggles during the cure.

HINTS FOR REPAIRS

- After the screws (item A) have been loosened the cover (item 1) can be removed.
- Starter(s) and lamp(s) can be replaced now.
If one lamp or starter is defective 2 lamps will not burn because of the series connection.
By changing it can be found which lamp or starter is defective.
- When the reflector has been removed the internal wiring can be checked.
- For the replacement of a ballast the tubular staple must be drilled out.
The new ballast can be fastened with a M4 bolt and nut.

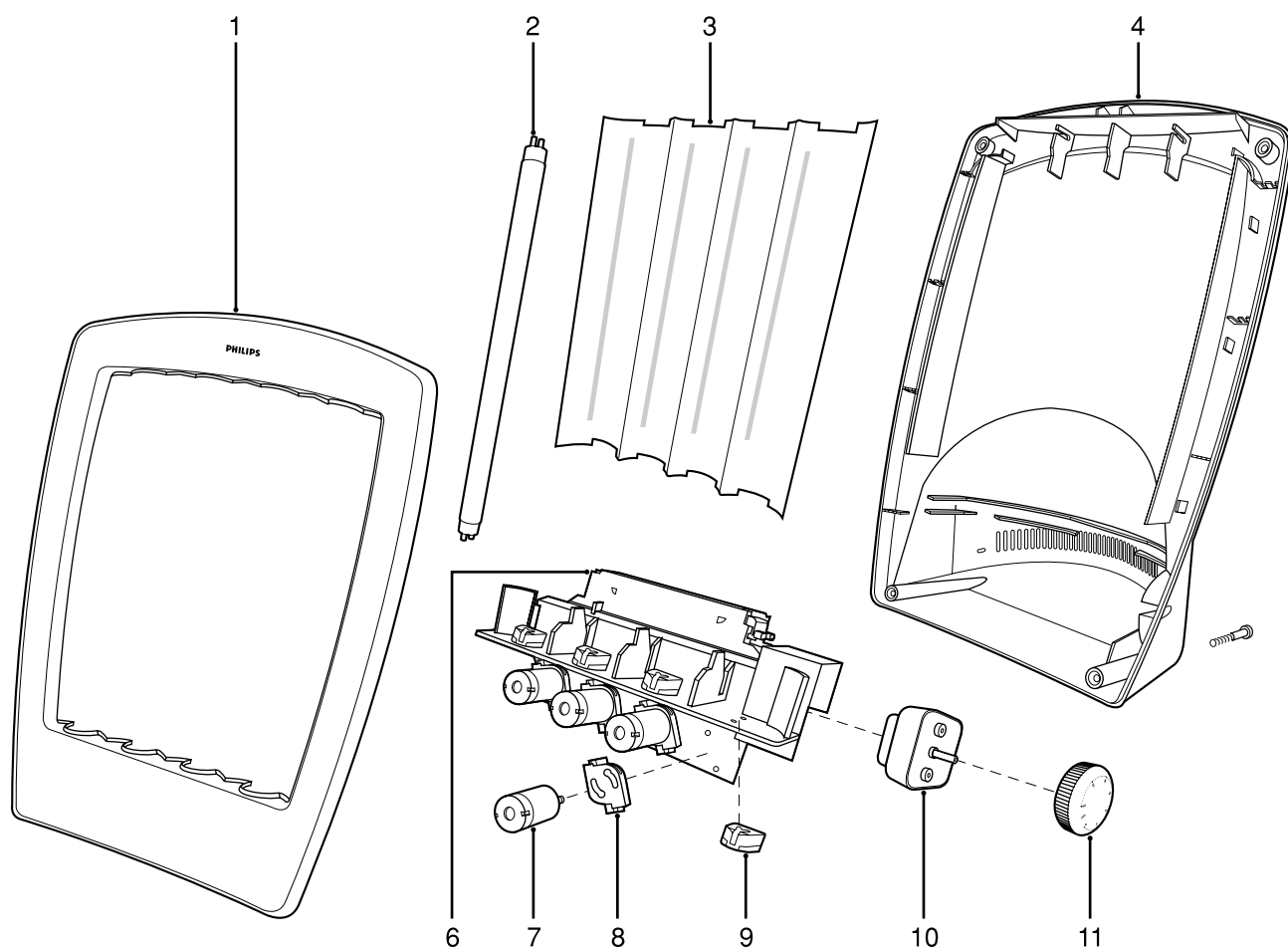


TECHNICAL DATA

Input	: 75W
UVA-source	: 4 x TL CLEO 15W
Radiation area	: 20 x 26 cm
Radiation distance	: 10 cm
Starter	: 4 x S2
Ballast	: 2 x 30W
Timer	: 60 min./Diehl
Protecting goggles	: 4822 690 80072
Output UVX36 meter	: >3.4mW/cm ²



HB 172/A



- | | | |
|----|----------------|------------------|
| 1 | 9965 000 06238 | cover |
| 2 | 4822 134 30026 | TL CLEO 15W |
| 3 | 9965 000 06237 | reflector |
| 4 | 9965 000 06235 | housing |
| 6 | 4822 142 60359 | ballast 30W/230V |
| 7 | 5322 219 80597 | starter S2 |
| 8 | 4822 255 10153 | starter holder |
| 9 | 4822 255 10182 | lamp holder |
| 10 | 4822 349 40073 | timer |
| 11 | 9965 000 06236 | timer knob |