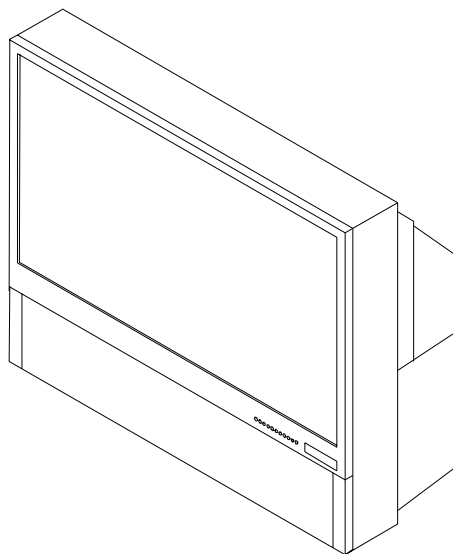




Service Manual

PROJECTION TELEVISION
K20 CHASSIS - ADDENDUM



WT-42313
WT-42315 See Note
WT-42413

Note: For parts specific to the WT-42315, refer to the attached addendum. For all other service and parts information, refer to the WT-42313 / WT-42413 Service Manual.

CAUTION:

Before servicing this chassis, it is important that the service person read the "SAFETY PRECAUTIONS" and "PRODUCT SAFETY NOTICE" contained in this manual.

SPECIFICATIONS

- | | | | |
|-----------------------------|---------------------------------------|-------------------------|--|
| • Power | : AC 120V, 60Hz
240W | • Speaker | : Two 5" round, full range (8Ω 5W) |
| • Frequency Range | : VHF 54 ~ 470MHz
UHF 470 ~ 806MHz | • Input Level | : VIDEO IN JACK (RCA Type)
1.0Vp-p 75Ω unbalanced
: AUDIO IN JACK (RCA Type)
-4.7dBm 43kΩ unbalanced
: S-VIDEO IN JACK (Y/C separate)
Y=1.0 Vp-p C=0.286Vp-p(BURST)
75Ω unbalanced
: COMP / Y, Cr, Cb (RCA Type)
Y=1.0 Vp-p. Cr, Cb=700mVp-p
: ATV / Y(G), Pr(R), Pb(B), H, V
Y 1.0Vp-p with sync 75Ω (RCA Type)
Pr, Pb: 700mV 75Ω
H, V: 3.0Vp-p 75Ω |
| • Antenna Input | : VHF/UHF 75Ω unbalanced | • Digital Inputs | MonitorLink™/DVI |
| • CRT Size | : [7 inches] | • Output Level | : VIDEO OUT JACK (RCA Type)
1.0Vp-p 75Ω unbalanced
: AUDIO OUT JACK (RCA Type)
-4.7dBm 4.7kΩ unbalanced |
| • High Voltage | : 32.0kV (at 0A) | | |
| • Cabinet Dimensions | : 39"(W)x34"(H)x25"(D) | | |
| • Weight | : 105 lbs | | |

- Weight and dimensions shown are approximate.
- Design specifications are subject to change without notice.

MITSUBISHI DIGITAL ELECTRONICS AMERICA, INC.

9351 Jeronimo Road, Irvine, CA 92618-1904

Copyright © 2004 Mitsubishi Digital Electronics America, Inc.

All Rights Reserved

MODEL: WT-42313 / WT-42315 / WT-42413

[#] Model Legend: (a) WT-42313, (b) WT-42315, (c) WT-42413

Ref #	Part #	Part Name & Description	[#]
C9C31	181P351080	C-ELEC - 10V 1000M-M	
C9C32	181P352030	C-ELEC - 16V 47M-M	
C9C35	181P212060	C-ELEC - 16V 47M-M	
C9C41	181P352030	C-ELEC - 16V 47M-M	
C9C42	181P210040	C-ELEC - 6.3V 100M-M	
C9C51	181P350080	C-ELEC - 6.3V 3300M-M	
C9D00	189P153040	C-M-POLY - 250VAC 0.1M-M	
C9D01	189P153040	C-M-POLY - 250VAC 0.1M-M	
CF2L00	299P128010	CERAMIC-OSC - CSB500F2	
CF2LA0	299P128010	CERAMIC-OSC - CSB500F2	
CF2V01	299P259010	OSC-CERAMIC - CSALA2M69G4ZF01-B0 2.69MHZ	
CF7A01	299P261010	OSC-CERAMIC - CSTLS27M0X51-A0	
SWITCHES			
S7L21	432P109010	SW-KEY BOARD - KSHS611BT	
S7L22	432P109010	SW-KEY BOARD - KSHS611BT	
S7L23	432P109010	SW-KEY BOARD - KSHS611BT	
S7L24	432P109010	SW-KEY BOARD - KSHS611BT	
S7L25	432P109010	SW-KEY BOARD - KSHS611BT	
S7L26	432P109010	SW-KEY BOARD - KSHS611BT	
S7L27	432P109010	SW-KEY BOARD - KSHS611BT	
S7L28	432P109010	SW-KEY BOARD - KSHS611BT	
S7L29	432P109010	SW-KEY BOARD - KSHS611BT	
MISCELLANEOUS			
	LENS-TAPE	DF TAPE - ADHESIVE	
	246C351050	CORD-AC - POWER	
	292C955010	CLIP-RADIATOR	
	305P702030	2RF-SW	
	330P288010	YOKE-DEFL - VK20 R/G/B	
	411D044020	CORE-FERRITE - R19.5 L32	
	411D062010	CORE-FERRITE - R15 L18	
	411D063020	CORE-FERRITE - CAT3035	
	449C141030	SOCKET-CRT	
	453B036040	CAP-ANODE - 14.5"	
	453B036050	CAP-ANODE - 22"	
	453B036060	CAP-ANODE - 12"	
	480P053010	SPEAKER - 5"	
	490P220030	LENS-BARREL - ALL COLORS	
	494D006010	MIRROR - 42"	
AG6B01	224D019090	AIR GAP - 1.5+0.5KV	
AG6G01	224D019090	AIR GAP - 1.5+0.5KV	
AG6R01	224D019090	AIR GAP - 1.5+0.5KV	
F5A00	283P043060	FUSE - LF251 3A	
F9A02	283P044020	FUSE - LF251 10A	
F9A03	283P043090	FUSE - LF251 5A	
F9A04	283P044020	FUSE - LF251 10A	
F9A05	283P043090	FUSE - LF251 5A	
F9B01	283P043060	FUSE - LF251 3A	
F9D00	283D131040	FUSE - S10A 125A	
J2C01	452C383010	CONNECTOR-DSUB	
J2D01	452C385010	CONNECTOR-DVI	
K9A50	287P100010	RELAY-PWR - DG9D1-0(M)-II-0.25W	
PC9A21	268P058020	PHOTO-COUPLER - ON3131-R/ON3161-R	
PC9A50	268P106010	PHOTO-COUPLER - CNZ3133	
PJ2J00	440C407010	PIN-JACK-BOARD-6P	
PJ2J01	440C410020	PIN-JACK-BOARD-5P	
PJ2J02	440C410010	PIN-JACK-BOARD-5P	
PJ2J03	440C410010	PIN-JACK-BOARD-5P	

Ref #	Part #	Part Name & Description	[#]
PJ2J05	440C408010	PIN-JACK-BOARD-3P	
PJ2J11	440C412010	PIN-JACK-BOARD-3P	
TU1A01	295P516010	TUNER-TV - 115-V-F045AP	
TU1B01	295P516020	TUNER-TV - 115-V-F025AP	
X2L00	285P426010	QTZ-CRYST - 3.579545MHZ	
X2LA0	285P426010	QTZ-CRYST - 3.579545MHZ	
X2M30	285P426040	QTZ-CRYST - 20.000MHZ	
X2N00	285P426020	QTZ-CRYST - 4.000000MHZ	
X2S00	285P426020	QTZ-CRYST - 4.000000MHZ	
X3A01	285P413010	QTZ-CRYST - 18.432MHZ	
X7A13	285P426030	QTZ-CRYST - 10.000MHZ	
X7H00	285P335050	QTZ-CRYST - 80.000MHZ	
Z7K01	939P617010	UNIT-PREAMP - GP1U283Q	
PRINTED CIRCUIT BOARDS			
	930B909001	ASSY-PWB-MAIN	
	930B910001	ASSY-PWB-POWER	
	930B911001	ASSY-PWB-SIGNAL	c
	930B911002	ASSY-PWB-SIGNAL	ab
	930B912001	ASSY-PWB-TERMINAL	
	934C005003	ASSY-PWB-CRT	
	934C006003	ASSY-PWB-SVM	
	935C996001	ASSY-PWB-DOUBLER	
	935D660003	ASSY-PWB-PREAMP	
	935D661001	ASSY-PWB-UNI	
	935D662003	ASSY-PWB-CONTROL	
	935D663003	ASSY-PWB-DBF	
COSMETIC PARTS			
	705C011010	DOOR - CONTROL	
	750A433010	COVER-BACK	
	750A435020	GRILLE-SPEAKER	a
	761A208010	GRILLE-SPEAKER	bc
	750A436010	PANEL - TERMINAL-BOARD	
	750A482010	COVER-BACK - TERMINAL	
	760B271010	INLAY-TERMINAL	
ACCESSORIES			
	290P116010	REMOTE CONTROL - V22	a
	290P117010	REMOTE CONTROL - V22+/V23	bc
	I/QR WT42313	GUIDE-QR	a
	I/QR WT42315	GUIDE-QR	b
	I/QR WT42413	GUIDE-QR	c
	853B399010	CARD-REGISTRATION	
	I/B WT42313	GUIDE - OWNERS	a
	I/B WT42315	GUIDE - OWNERS	b
	I/B WT42413	GUIDE - OWNERS	c

MODELS: WS-42311 / WT-42315 / WT-42413

[[#] Model Legend: (a) WT-42313, (b) WT-42315, (c) WT-42413

Ref #	Part #	Part Name & Description	[#]
SCREEN ASSEMBLY PARTS			
(1)	491P136020	SCREEN-LENTICULAR	
(2)	491P137020	LENS-FRESNEL	
(3)	596C569010	SCREEN - BRACKET-CORNER	
(4)	598D298010	SCREEN - BRACKET-MASK	
(5)	598D300010	SCREEN - BRACKET-SIDE	
(6)	598D548010	SCREEN - BRACKET-BTM	
(7)	598D549010	BRACKET-SHIELD	
(8)	641B942010	SCREEN - HOLDER-TOP	
(9)	641B942020	SCREEN - HOLDER-T	
(10)	641B943010	SCREEN - HOLDER-SIDES	
(11)	750A434030	FRAME-FRONT - WT-42313	ab
(11)	750A434020	FRAME-FRONT - WT-42413	c
(12)	760D628070	DIAMOND SHIELD	

