



*FS-1010
Laser Printer*

PARTS LIST

Published in Oct., 2001

FS101070770

842FS1050120

Contents

1. Modules, page 3
2. Enclosures, page 4
3. Upper Frame, page 5
4. Process Unit (PU-40), page 6
5. Drive Unit, page 7
6. Paper Feed Unit, LSU, page 8
7. Fuser Unit, page 9
8. Paper Cassette, page 10
9. Parts List, page 11

Legends

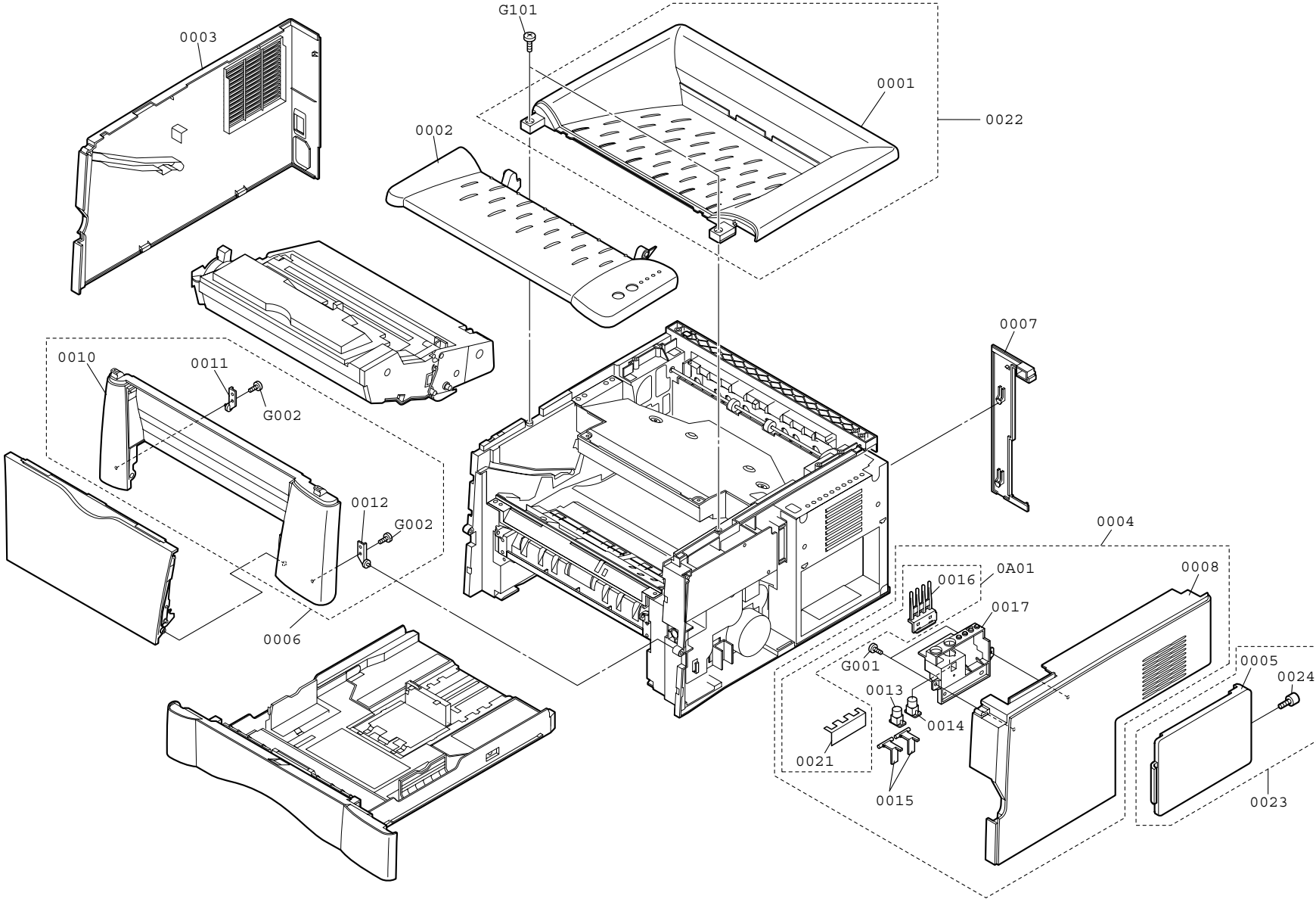
- ISP = Initial Service Parts
- Twn = Taiwan, Phn=Philippines

1 - Modules

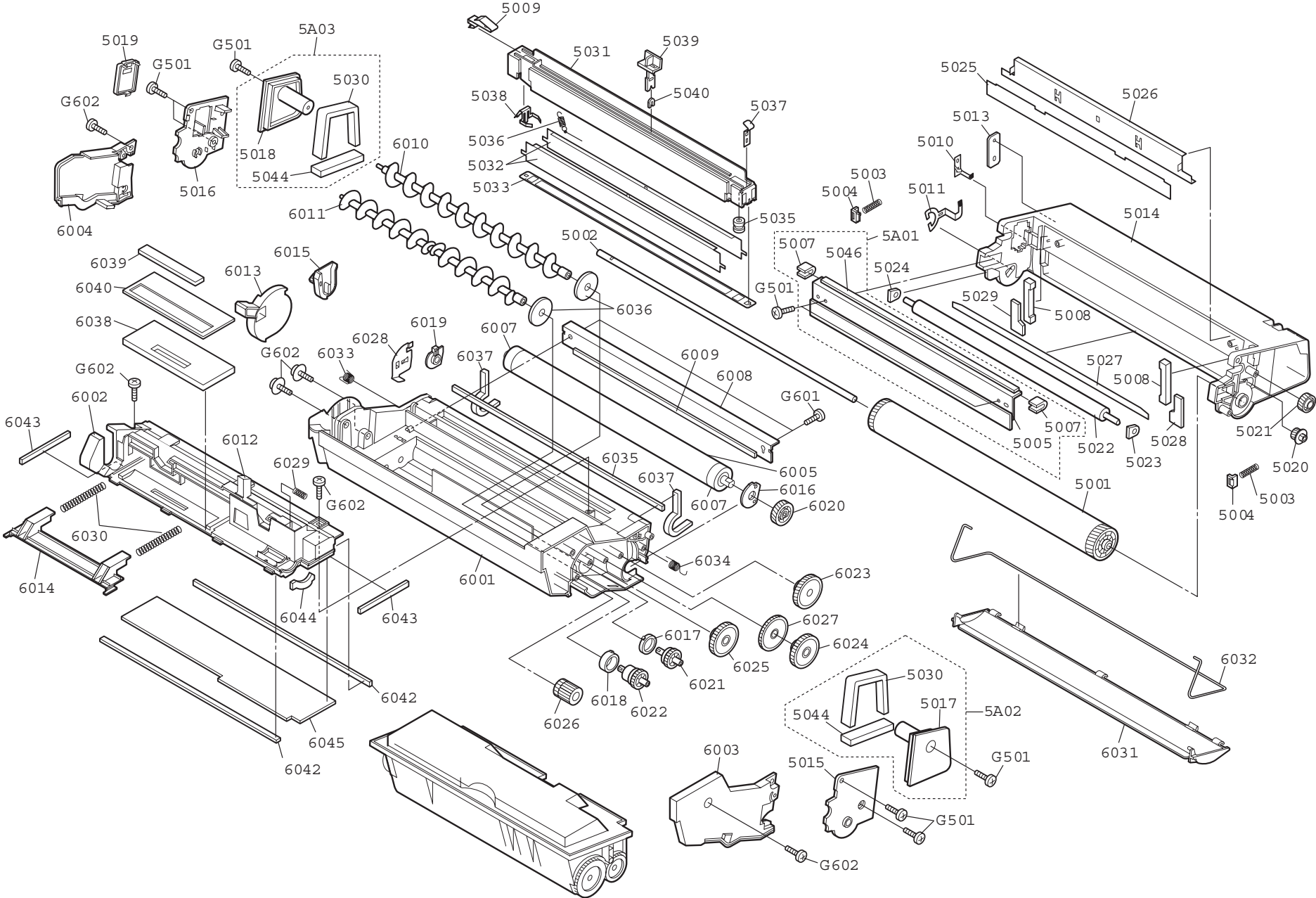
Modules

| Ref. No. | Part Number | Alternative #1 | Alternative #2 | Description | ISP | Q'ty | KMDE | KMA | TwN | KMC | Phn | Remarks |
|----------|-------------|----------------|----------------|-------------------------|------|------|------|-----|-----|-----|-----|---------|
| | 5PLPXKVAPKX | | | PU-42 PROCESS UNIT | 1 | 1 | Yes | Yes | Yes | Yes | Yes | |
| | 5PLPXKYAPKX | | | FK-42 FUSER UNIT (E) | 240V | 1 | 1 | Yes | No | No | No | Yes |
| | 5PLPXKZAPKX | | | FK-42 FUSER UNIT (U) | 120V | 1 | 1 | No | Yes | Yes | No | No |
| | 5PLPXLAAJKC | | | FK-42 FUSER UNIT (J) | 100V | 1 | 1 | No | No | No | Yes | No |
| | 5PLPXKWAPKX | | | LK-42 SCANNER UNIT | 1 | 1 | Yes | Yes | Yes | Yes | Yes | Yes |
| | 5PLPXKXAPKX | | | DR-42 DRIVE UNIT | 1 | 1 | Yes | Yes | Yes | Yes | Yes | Yes |
| | 5PLPXU5AEKX | | | MC-40 MCH ASSY | 1 | 1 | Yes | Yes | Yes | Yes | Yes | Yes |
| | 5PLPXLBAPKX | | | PC-42 CASSETTE ASSY A4 | 1 | 1 | Yes | No | Yes | Yes | Yes | No |
| | 5PLPXMLAPKX | | | PC-42 CASSETTE ASSY LTR | 1 | 1 | No | Yes | No | No | No | Yes |

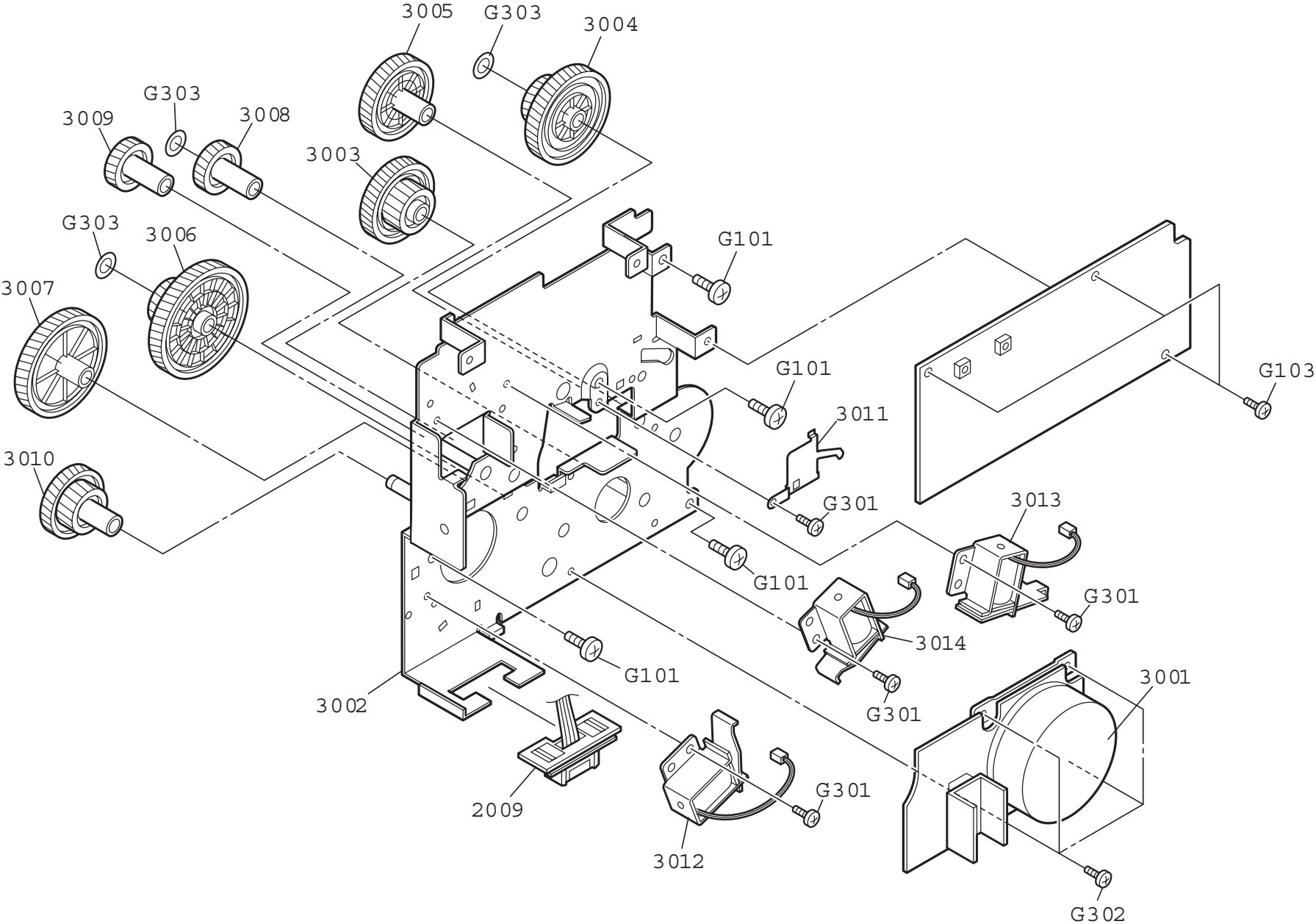
2 - Enclosures



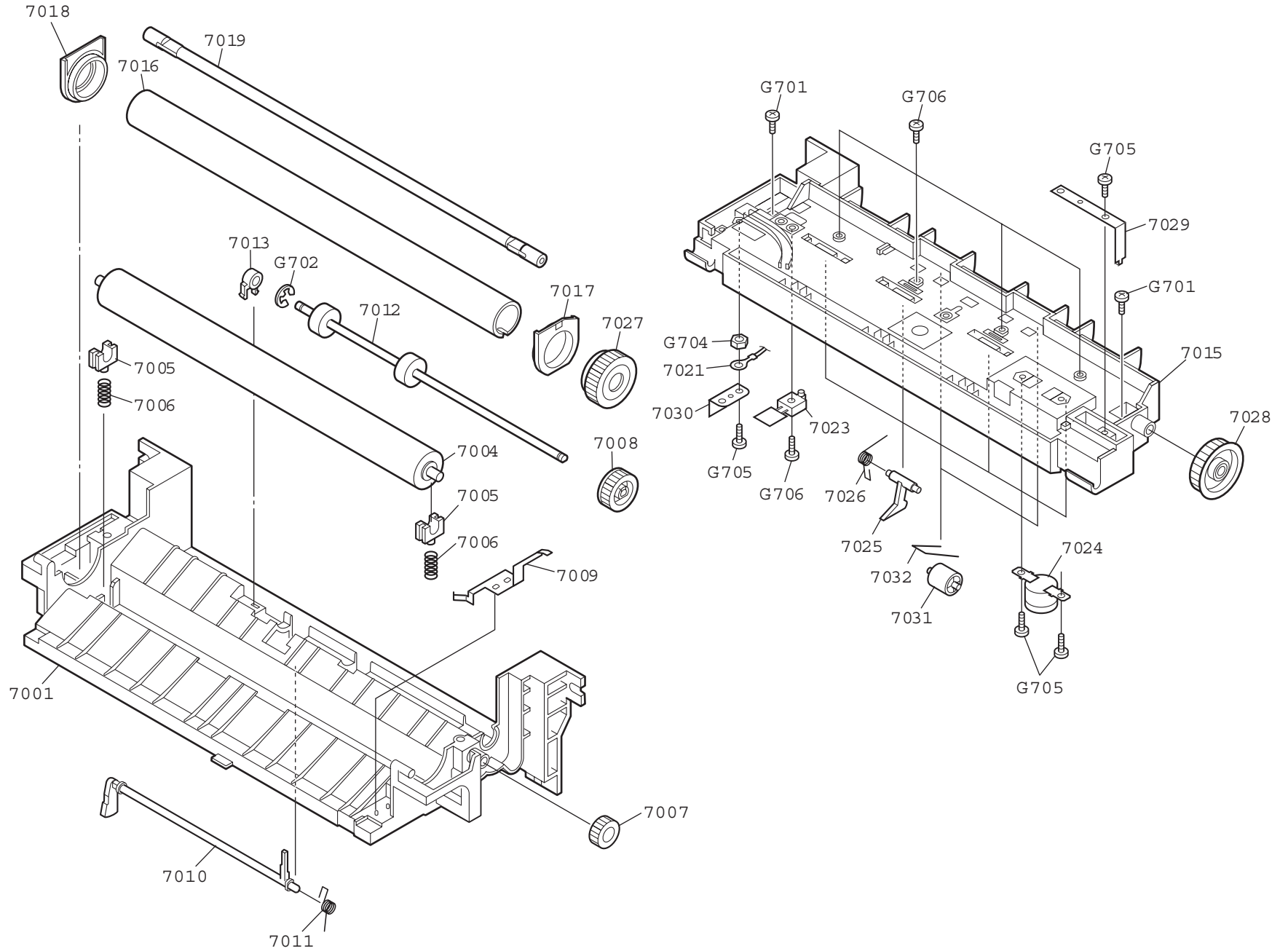
4 - Process Unit (PU-40)



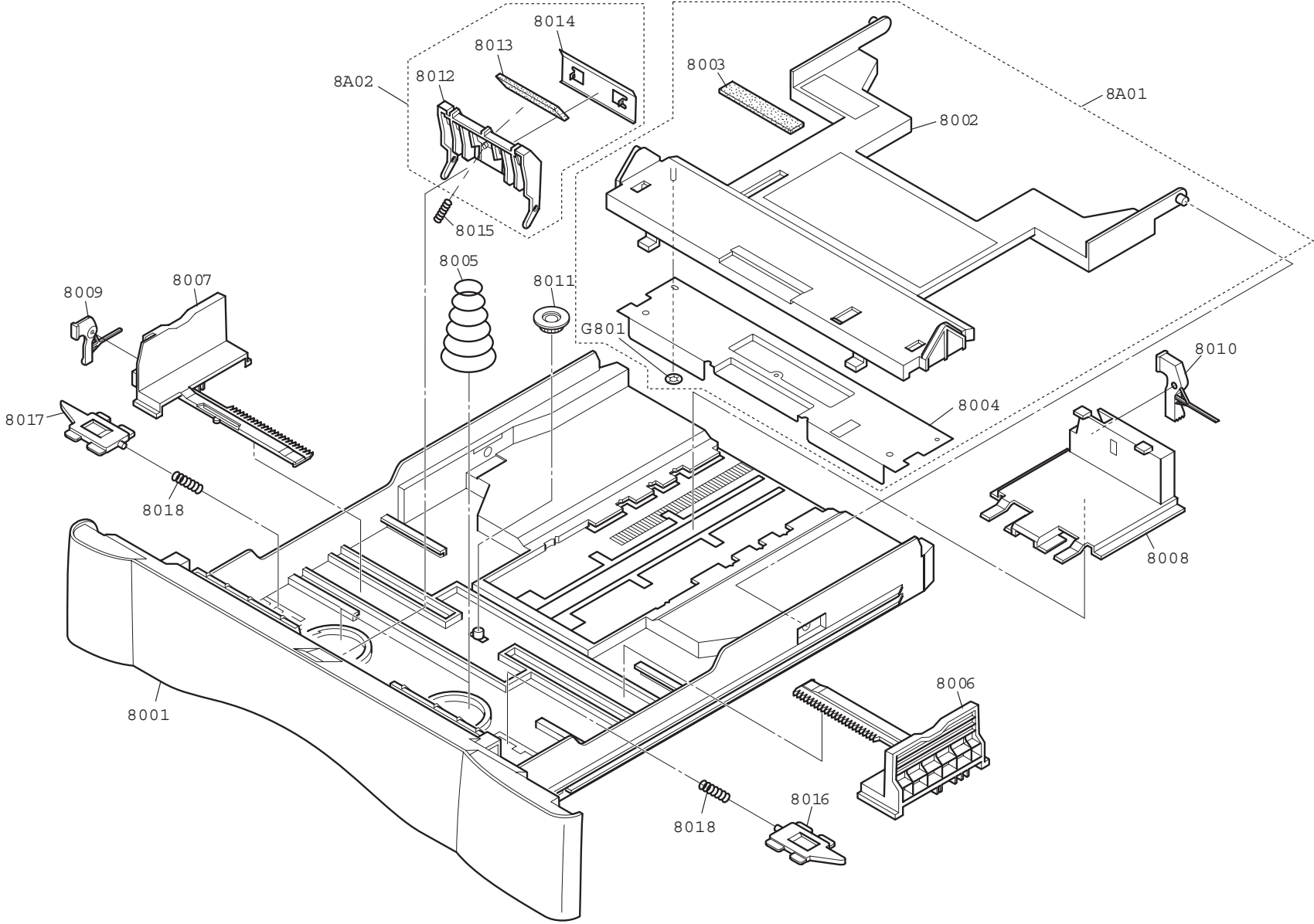
5 - Drive Unit



7 - Fuser Unit



8 - Paper Cassette



9 - Parts List

0000 – 0999

| Ref. No. | Part Number | Alternative #1 | Alternative #2 | Description | ISP | Q'ty | KMDE | KMA | TwN | KMC | Phn | Remarks |
|----------|--------------|----------------|----------------|------------------|-----|------|------|-----|-----|-----|-----|---------|
| 0001 | 5MVB886CH008 | | | COVER TOP | | 1 | Yes | Yes | Yes | Yes | Yes | |
| 0002 | 5MVB876CH013 | | | LID TOP | 1 | 1 | Yes | Yes | Yes | Yes | Yes | |
| 0003 | 5MVB886CH009 | | | COVER LEFT | 1 | 1 | Yes | Yes | Yes | Yes | Yes | |
| 0004 | 5AAY3010E+27 | | | COVER RIGHT ASSY | 1 | 1 | Yes | Yes | Yes | Yes | Yes | |
| 0005 | 5MVB773CH001 | | | COVER DIMM | 1 | 1 | Yes | Yes | Yes | Yes | Yes | |
| 0006 | 5AAYA94E++06 | | | COVER FRONT ASSY | 1 | 1 | Yes | Yes | Yes | Yes | Yes | |
| 0007 | 5MVB851SH003 | | | COVER REAR SIDE | 1 | 1 | Yes | Yes | Yes | Yes | Yes | |
| 0008 | 5MVB885CH004 | | | COVER RIGHT | | 1 | Yes | Yes | Yes | Yes | Yes | |
| 0011 | 5MVX422DN005 | | | HINGE FRONT L | | 1 | Yes | Yes | Yes | Yes | Yes | |
| 0012 | 5MVX422DN006 | | | HINDE FRONT R | | 1 | Yes | Yes | Yes | Yes | Yes | |
| 0013 | 5MVX444SH001 | | | BUTTON A | | 1 | Yes | Yes | Yes | Yes | Yes | |
| 0014 | 5MVX444SH002 | | | BUTTON B | | 1 | Yes | Yes | Yes | Yes | Yes | |
| 0015 | 5MVX322SN002 | | | LEVER BUTTON | | 1 | Yes | Yes | Yes | Yes | Yes | |
| 0017 | 5MVB764SH013 | | | HOLDER PANEL | | 1 | Yes | Yes | Yes | Yes | Yes | |
| 0022 | 5AAY3010E+46 | | | COVER TOP ASSY | | 1 | Yes | Yes | Yes | Yes | Yes | |
| 0023 | 5AAY3010E+47 | | | COVER DIMM ASSY | | 1 | Yes | Yes | Yes | Yes | Yes | |
| 0024 | 5MMT263SN012 | | | SCREW OP | | 1 | Yes | Yes | Yes | Yes | Yes | |
| 0025 | 5MVS825LD001 | | | DISCHARGER FD | | 1 | Yes | Yes | Yes | Yes | Yes | |
| 0026 | 5MMX761LD002 | | | PLATE SHIELD | | 1 | Yes | Yes | Yes | Yes | Yes | |
| 0A01 | 5AAY3010E+51 | | | GUIDE LED KIT | | 1 | Yes | Yes | Yes | Yes | Yes | |

1000 – 1999

| Ref. No. | Part Number | Alternative #1 | Alternative #2 | Description | ISP | Q'ty | KMDE | KMA | TwN | KMC | Phn | Remarks |
|----------|--------------|----------------|----------------|---------------------|-----|------|------|-----|-----|-----|-----|---------|
| 1002 | 5MVB874CH002 | | | COVER PWB | | 1 | Yes | Yes | Yes | Yes | Yes | |
| 1003 | 5MVX721DN001 | | | LEVER INTERLOCK | | 1 | Yes | Yes | Yes | Yes | Yes | |
| 1006 | 5MMW351LD006 | | | SPRING INTERLOCK | | 1 | Yes | Yes | Yes | Yes | Yes | |
| 1007 | 5MML622LD003 | | | PLATE EARTH JOINT | | 1 | Yes | Yes | Yes | Yes | Yes | |
| 1008 | 5AAY3010E+31 | | | EARTH GUIDE ASSY | | 1 | Yes | Yes | Yes | Yes | Yes | |
| 1009 | 5AAVROLL+056 | | | ROLLER FEED J ASSY | 1 | 1 | Yes | Yes | Yes | Yes | Yes | B-8700 |
| 1010 | 5MMT766SN007 | | | SHAFT FEED | | 1 | Yes | Yes | Yes | Yes | Yes | |
| 1011 | 5MVM176DN026 | | | BUSH FEED | | 2 | Yes | Yes | Yes | Yes | Yes | |
| 1012 | 5MVT676DB002 | | | PULLY FEED | | 1 | Yes | Yes | Yes | Yes | Yes | |
| 1013 | 5MVX432DB009 | | | ACTUATOR REGIST | | 1 | Yes | Yes | Yes | Yes | Yes | |
| 1014 | 5MVX542DB003 | | | ACTUATOR PE | | 1 | Yes | Yes | Yes | Yes | Yes | |
| 1015 | 5MMW151LD005 | | | SPRING ACTUATOR REG | | 1 | Yes | Yes | Yes | Yes | Yes | |

1000 – 1999 (Continued)

| Ref. No. | Part Number | Alternative #1 | Alternative #2 | Description | ISP | Q'ty | KMDE | KMA | TwN | KMC | Phn | Remarks |
|----------|----------------|----------------|----------------|---------------------|-----|------|------|-----|-----|-----|-----|---------|
| 1017 | 5AAYA88E++12 | | | ROLLER REGIST ASSY | | 1 | Yes | Yes | Yes | Yes | Yes | |
| 1118 | 5MVS722KF008 | | | SHEET REGIST L | | 1 | Yes | Yes | Yes | Yes | Yes | YC-6046 |
| 1119 | 5MVS622KF010 | | | SHEET REGIST R | | 1 | Yes | Yes | Yes | Yes | Yes | YC-6046 |
| 1019 | 5MMX532LD005 | | | CONTACT EARTH REG | | 1 | Yes | Yes | Yes | Yes | Yes | |
| 1020 | 5MMT876SN074 | | | ROLLER TRANSFER | 1 | 1 | Yes | Yes | Yes | Yes | Yes | |
| 1023 | 5MVG127DB048 | | | GEAR TC Z18 | | 1 | Yes | Yes | Yes | Yes | Yes | |
| 1024 | 5MMX432LD005 | | | CONTACT TRANSFER | | 1 | Yes | Yes | Yes | Yes | Yes | |
| 1025 | 5MMX331LD003 | | | PLATE EARTH BRUSH | | 1 | Yes | Yes | Yes | Yes | Yes | |
| 1026 | 5AAYA88E++07 | | | MPF ASSY E | 1 | 1 | Yes | Yes | Yes | Yes | Yes | |
| 1029 | 5AAY3010E+18 | | | TE SENSOR ASSY | 1 | 1 | Yes | Yes | Yes | Yes | Yes | |
| 1030 | 5MMW261LD036 | | | SPRING TE SENSOR | | 1 | Yes | Yes | Yes | Yes | Yes | |
| 1031 | 5MMS775SL001 | | | PLATE CONTROLLER | 1 | 1 | Yes | Yes | Yes | Yes | Yes | |
| 1032 | 5MVG148DN045 | | | GEAR Z38H | 1 | 1 | Yes | Yes | Yes | Yes | Yes | |
| 1033 | 5MVG148DN046 | | | GEAR FREE Z40H | 1 | 1 | Yes | Yes | Yes | Yes | Yes | |
| 1034 | 5MVG138DN041 | | | GEAR FREE Z25S | 1 | 1 | Yes | Yes | Yes | Yes | Yes | |
| 1035 | 5MVG148DN047 | | | GEAR Z34S | 1 | 1 | Yes | Yes | Yes | Yes | Yes | |
| 1036 | 5MVG148DN048 | | | GEAR Z40S | 1 | 1 | Yes | Yes | Yes | Yes | Yes | |
| 1037 | 5MVG148DN049 | | | GEAR Z37S | 1 | 1 | Yes | Yes | Yes | Yes | Yes | |
| 1038 | 5MMW271LD010 | | | SPRING FREE | 1 | 1 | Yes | Yes | Yes | Yes | Yes | |
| 1039 | 5MMT364SN003 | | | PIN DRIVE | 1 | 3 | Yes | Yes | Yes | Yes | Yes | |
| 1040 | 5MVB663SB048 | | | COVER CORD | | 1 | Yes | Yes | Yes | Yes | Yes | |
| 1041 | 5AAVCLTCH015 | | | CLUTCH FEED | 1 | 1 | Yes | Yes | Yes | Yes | Yes | |
| 1042 | 5AAVCLTCH016 | | | CLUTCH REGIST | 1 | 1 | Yes | Yes | Yes | Yes | Yes | |
| 1043 | 5AAVCLTCH017 | | | CLUTCH MPF | 1 | 1 | Yes | Yes | Yes | Yes | Yes | |
| 1044 | 5MVX111DN003 | | | RING STOPPER | 1 | 5 | Yes | Yes | Yes | Yes | Yes | |
| 1045 | 5MMX332LD013 | | | PLATE EARTH MPF | | 1 | Yes | Yes | Yes | Yes | Yes | |
| 1046 | 5MVX322SB020 | | | ACTUATOR FUSER B | | 1 | Yes | Yes | Yes | Yes | Yes | |
| 1047 | 5AAY3010E+58 | | | COVER REAR ASSY | 1 | 1 | Yes | Yes | Yes | Yes | Yes | |
| 1048 | 5AAY3010E+36 | | | ROLLER EXIT UP ASSY | 1 | 1 | Yes | Yes | Yes | Yes | Yes | |
| 1049 | 5MVG137DN030 | | | GEAR EXIT Z23 UP | 1 | 1 | Yes | Yes | Yes | Yes | Yes | |
| 1050 | 5MVM176DW001 | | | BUSH EXIT | | 1 | Yes | Yes | Yes | Yes | Yes | |
| 1051 | 5MVS228RB019 | | | FOOT | | 4 | Yes | Yes | Yes | Yes | Yes | |
| 1052 | 5EZN2402403+01 | | | FAN MOTOR | 1 | 1 | Yes | Yes | Yes | Yes | Yes | |
| 1059 | 5MMT876SN073 | | | ROLLER REGIST LOW | | 1 | Yes | Yes | Yes | Yes | Yes | |
| 1060 | 5MMT865SN010 | | | ROLLER REGIST UP | | 1 | Yes | Yes | Yes | Yes | Yes | |
| 1061 | 5MVX221DB019 | | | BUSH REGIST LEFT | | 1 | Yes | Yes | Yes | Yes | Yes | |
| 1062 | 5MVX221DW006 | | | BUSH REGIST RIGHT | | 1 | Yes | Yes | Yes | Yes | Yes | |
| 1063 | 5MMW261LD023 | | | SPRING REGIST R | | 2 | Yes | Yes | Yes | Yes | Yes | |
| 1064 | 5MVG127DB047 | | | GEAR REGIST Z20 | | 1 | Yes | Yes | Yes | Yes | Yes | |

1000 – 1999 (Continued)

| Ref. No. | Part Number | Alternative #1 | Alternative #2 | Description | ISP | Q'ty | KMDE | KMA | TwN | KMC | Phn | Remarks |
|----------|-----------------|----------------|----------------|---------------------|-----|------|------|-----|-----|-----|-----|---------|
| 1065 | 5MVG126DB025 | | | GEAR REGIST Z13 | | 1 | Yes | Yes | Yes | Yes | Yes | |
| 1066 | 5MVT653DW001 | | | PIN CASSETTE | | 1 | Yes | Yes | Yes | Yes | Yes | |
| 1067 | 5MMW341LD005 | | | SPRING PIN CASSETTE | | 1 | Yes | Yes | Yes | Yes | Yes | |
| 1068 | 5MMT365SN003 | | | PIN CONTACT BIAS | | 1 | Yes | Yes | Yes | Yes | Yes | |
| 1069 | 5MMW361LD015 | | | SPRING PIN BIAS | | 1 | Yes | Yes | Yes | Yes | Yes | |
| 1074 | 5MVX866SH012 | | | GUIDE TURN | | 1 | Yes | Yes | Yes | Yes | Yes | |
| 1075 | 5AAY3010E+41 | | | SEPARATOR MPF ASSY | 1 | 1 | Yes | Yes | Yes | Yes | Yes | |
| 1076 | 5MMW261LD038 | | | SPRING SEPA MPF | | 1 | Yes | Yes | Yes | Yes | Yes | |
| 1077 | 5MVX221DB023 | | | BUSH TC L | 1 | 1 | Yes | Yes | Yes | Yes | Yes | |
| 1078 | 5MMW251LD043 | | | SPRING TC L | | 1 | Yes | Yes | Yes | Yes | Yes | |
| 1079 | 5MVX221DW008 | | | BUSH TC R | 1 | 1 | Yes | Yes | Yes | Yes | Yes | |
| 1080 | 5MMW261LD034 | | | SPRING TC R | | 1 | Yes | Yes | Yes | Yes | Yes | |
| 1081 | 5MVB874SH018 | | | COVER REAR | | 1 | Yes | Yes | Yes | Yes | Yes | |
| 1082 | 5MVB874SH019 | | | TRAY EXIT FU | | 1 | Yes | Yes | Yes | Yes | Yes | |
| 1085 | 5MMX332LD021 | | | BKT PULLEY FD | | 1 | Yes | Yes | Yes | Yes | Yes | |
| 1086 | 5MVM273DB005 | | | PULLEY EXIT | | 1 | Yes | Yes | Yes | Yes | Yes | |
| 1087 | 5AAVROLL*045 | | | ROLLER MPF ASSY | 1 | 1 | Yes | Yes | Yes | Yes | Yes | |
| 1088 | 5MVX854SH002 | | | HOLDER MP FEED | | 1 | Yes | Yes | Yes | Yes | Yes | |
| 1089 | 5MMT766SN008 | | | SHAFT MPF | | 1 | Yes | Yes | Yes | Yes | Yes | |
| 1090 | 5MVX111DN003 | | | RING STOPPER | | 3 | Yes | Yes | Yes | Yes | Yes | |
| 1091 | 5MVX432DB010 | | | ACTUATOR MPF | | 1 | Yes | Yes | Yes | Yes | Yes | |
| 1092 | 5MVX221DN014 | | | CAM MPF R | | 1 | Yes | Yes | Yes | Yes | Yes | |
| 1093 | 5MVM176DN026 | | | BUSH FEED | | 2 | Yes | Yes | Yes | Yes | Yes | |
| 1094 | 5ENXGP1A73A**01 | | | PT SENSOR | 1 | 1 | Yes | Yes | Yes | Yes | Yes | |
| 1095 | 5AACCNRM0GEA | | | CONN.CORD ASSY | | 1 | Yes | Yes | Yes | Yes | Yes | |
| 1098 | 5MVX861SH004 | | | TRAY MPF A | | 1 | Yes | Yes | Yes | Yes | Yes | |
| 1099 | 5MVX751SH001 | | | TRAY MPF B | | 1 | Yes | Yes | Yes | Yes | Yes | |
| 1111 | 5MVM161DW001 | | | BUSH PULLEY FEED | | 2 | Yes | Yes | Yes | Yes | Yes | |
| 1A02 | 5AAY3010E+40 | | | BOTTOM MPF ASSY | | 1 | Yes | Yes | Yes | Yes | Yes | |

2000 – 2999

| Ref. No. | Part Number | Alternative #1 | Alternative #2 | Description | ISP | Q'ty | KMDE | KMA | TwN | KMC | Phn | Remarks |
|----------|----------------|----------------|----------------|----------------|---------------|------|------|-----|-----|-----|-----|---------|
| 2002 | 5AAPRCZC2011BH | | | P.W.BOARD ASSY | ENGINE KP-882 | 1 | 1 | Yes | No | No | No | No |
| 2002 | 5AAPRCZC2011DH | | | P.W.BOARD ASSY | ENGINE KP-882 | 1 | 1 | No | Yes | No | No | Yes |
| 2002 | 5AAPRCZC2011EH | | | P.W.BOARD ASSY | ENGINE KP-882 | 1 | 1 | No | No | No | Yes | No |
| 2002 | 5AAPRCZC2011FH | | | P.W.BOARD ASSY | ENGINE KP-882 | 1 | 1 | No | No | Yes | No | No |
| 2003 | 5AAPRCZC1009AH | | | P.W.BOARD ASSY | BIAS KP-884 | 1 | 1 | Yes | Yes | Yes | Yes | Yes |

2000 – 2999 (Continued)

| Ref. No. | Part Number | Alternative #1 | Alternative #2 | Description | ISP | Q'ty | KMDE | KMA | TwN | KMC | Phn | Remarks |
|----------|----------------|----------------|----------------|------------------------|-------------|------|------|-----|-----|-----|-----|---------|
| 2009 | 5AACNRM1GEA | | | CONN.CORD ASSY | | 1 | Yes | Yes | Yes | Yes | Yes | |
| 2016 | 5AAPRLGC2023BH | | | P.W.BOARD ASSY | MAIN KP-888 | 1 | 1 | Yes | Yes | Yes | Yes | Yes |
| 2017 | 5MMX773SL001 | | | PLATE SW REG | | 1 | Yes | Yes | Yes | Yes | Yes | |
| 2018 | 5MVS765KF001 | | | SHEET SW REG | | 1 | Yes | Yes | Yes | Yes | Yes | |
| 2019 | 5AAEA93E++1 | | | SWITCHING REGULATOR(E) | 240V | 1 | 1 | Yes | No | No | No | Yes |
| 2019 | 5AAEA93U++1 | | | SWITCHING REGULATOR(U) | 120V | 1 | 1 | No | Yes | Yes | Yes | No |

3000 – 3999

| Ref. No. | Part Number | Alternative #1 | Alternative #2 | Description | ISP | Q'ty | KMDE | KMA | TwN | KMC | Phn | Remarks |
|----------|-----------------|----------------|----------------|------------------|-----------|------|------|-----|-----|-----|-----|---------|
| 3001 | 5AAXMT061GEA | | | MOTOR MAIN | for 14PPM | 1 | 1 | Yes | Yes | Yes | Yes | Yes |
| 3002 | 5MMX776SL005 | | | PLATE DRIVE | | 1 | Yes | Yes | Yes | Yes | Yes | |
| 3003 | 5MVG168DN017 | | | GEAR Z68H-Z21H | | 1 | Yes | Yes | Yes | Yes | Yes | |
| 3004 | 5MVG159DN012 | | | GEAR Z48H-Z21H | | 1 | Yes | Yes | Yes | Yes | Yes | |
| 3005 | 5MVG148DN044 | | | GEAR Z40H | | 1 | Yes | Yes | Yes | Yes | Yes | |
| 3006 | 5MVG169DN032 | | | GEAR Z95H-Z21H | | 1 | Yes | Yes | Yes | Yes | Yes | |
| 3007 | 5MVG169DN033 | | | GEAR Z53H | | 1 | Yes | Yes | Yes | Yes | Yes | |
| 3008 | 5MVG138DN042 | | | GEAR Z24H | | 1 | Yes | Yes | Yes | Yes | Yes | |
| 3009 | 5MVG137DN029 | | | GEAR Z21H | | 1 | Yes | Yes | Yes | Yes | Yes | |
| 3010 | 5MVG148DN050 | | | GEAR Z36H-Z21H | | 1 | Yes | Yes | Yes | Yes | Yes | |
| 3011 | 5MMX521LD005 | | | PLATE EARTH DRUM | | 1 | Yes | Yes | Yes | Yes | Yes | |
| 3012 | 5EZSA2402410301 | | | SOLENOID FEED | | 1 | 1 | Yes | Yes | Yes | Yes | Yes |
| 3013 | 5EZSA2402410401 | | | SOLENOID REGIST | | 1 | 1 | Yes | Yes | Yes | Yes | Yes |
| 3014 | 5EZSA2402410501 | | | SOLENOID MPF | | 1 | 1 | Yes | Yes | Yes | Yes | Yes |

4000 – 4999

| Ref. No. | Part Number | Alternative #1 | Alternative #2 | Description | ISP | Q'ty | KMDE | KMA | TwN | KMC | Phn | Remarks |
|----------|----------------|----------------|----------------|---------------------|--------------|------|------|-----|-----|-----|-----|---------|
| 4001 | 5MVB876CB003 | | | FRAME MIDDLE | | 1 | Yes | Yes | Yes | Yes | Yes | |
| 4002 | 5MMX875SL005 | | | PLATE LSU | | 1 | Yes | Yes | Yes | Yes | Yes | |
| 4003 | 5MVQ711GX004 | | | MIRROR EXIT | | 1 | Yes | Yes | Yes | Yes | Yes | |
| 4005 | 5MVX721SB004 | | | SHUTTER LSU | | 1 | Yes | Yes | Yes | Yes | Yes | |
| 4006 | 5AAY3010E+26 | | | FULL SENSOR ASSY | | 1 | 1 | Yes | Yes | Yes | Yes | Yes |
| 4007 | 5MMX221LD024 | | | SPRING MIRROR | | 2 | Yes | Yes | Yes | Yes | Yes | |
| 4009 | 5MMW341LD006 | | | SPRING SHUTTER LSU | | 1 | Yes | Yes | Yes | Yes | Yes | |
| 4010 | 5MMW261LD040 | | | SPRING FULL SENSOR | | 1 | Yes | Yes | Yes | Yes | Yes | |
| 4011 | 5MVVL661WN34 | | | LABEL LASER CAUTION | | 1 | Yes | Yes | Yes | Yes | Yes | |
| 4013 | 5AAPRELR1001AH | | | P.W.BOARD ASSY | ERASE KP-790 | 1 | 1 | Yes | Yes | Yes | Yes | 49539 |

4000 – 4999 (Continued)

| Ref. No. | Part Number | Alternative #1 | Alternative #2 | Description | ISP | Q'ty | KMDE | KMA | TwN | KMC | Phn | Remarks |
|----------|--------------|----------------|----------------|-------------|-----|------|------|-----|-----|-----|-----|---------|
| 4021 | 5MVS319RF004 | | | SEAL LSU D | | 1 | Yes | Yes | Yes | Yes | Yes | |

5000 – 5999

| Ref. No. | Part Number | Alternative #1 | Alternative #2 | Description | ISP | Q'ty | KMDE | KMA | TwN | KMC | Phn | remarks |
|----------|--------------|----------------|----------------|-------------------|-----|------|------|-----|-----|-----|-----|---------|
| 5019 | 5MVX331PH001 | | | CAP MCH | | 1 | Yes | Yes | Yes | Yes | Yes | |
| 5A01 | 5AAY3010E+52 | | | BLADE KIT | | 1 | Yes | Yes | Yes | Yes | Yes | |
| 5A02 | 5AAY3010E+53 | | | COVER DRUM R2 KIT | | 1 | Yes | Yes | Yes | Yes | Yes | |
| 5A03 | 5AAY3010E+54 | | | COVER DRUM L2 KIT | | 1 | Yes | Yes | Yes | Yes | Yes | |

7000 – 7999

| Ref. No. | Part Number | Alternative #1 | Alternative #2 | Description | ISP | Q'ty | KMDE | KMA | TwN | KMC | Phn | remarks |
|----------|-----------------|----------------|----------------|---------------------|------------|------|------|-----|-----|-----|-----|----------------|
| 7001 | 5MVX876KB004 | | | FRAME FUSER LOW | | 1 | Yes | Yes | Yes | Yes | Yes | |
| 7004 | 5MMT876SN075 | | | ROLLER PRESS | | 1 | Yes | Yes | Yes | Yes | Yes | |
| 7005 | 5MVX221XN003 | | | BUSH PRESS | | 2 | Yes | Yes | Yes | Yes | Yes | |
| 7006 | 5MMW261LD037 | | | SPRING PRESS | | 2 | Yes | Yes | Yes | Yes | Yes | |
| 7007 | 5MVG127DN070 | | | GEAR IDLE Z18 | | 1 | Yes | Yes | Yes | Yes | Yes | |
| 7008 | 5MVG137DN031 | | | GEAR EXIT Z23 | | 1 | Yes | Yes | Yes | Yes | Yes | |
| 7009 | 5MMX665LD004 | | | PLATE EARTH FUSER | | 1 | Yes | Yes | Yes | Yes | Yes | |
| 7010 | 5MVX731CB002 | | | ACTUATOR FUSER A | | 1 | Yes | Yes | Yes | Yes | Yes | |
| 7011 | 5MMW261LD017 | | | SPRING ACTUATOR | | 1 | Yes | Yes | Yes | Yes | Yes | |
| 7012 | 5MMT774SN001 | | | ROLLER EXIT LOW | | 1 | Yes | Yes | Yes | Yes | Yes | |
| 7013 | 5MVX211DB016 | | | BUSH EXIT | | 1 | Yes | Yes | Yes | Yes | Yes | |
| 7014 | 5MVVL731WN14 | | | LABEL FUSER CAUTION | | 1 | Yes | Yes | Yes | Yes | Yes | |
| 7015 | 5MVB863KB003 | | | FRAME FUSER UP | | 1 | Yes | Yes | Yes | Yes | Yes | |
| 7016 | 5MMT876AX001 | | | ROLLER HEAT | | 1 | Yes | Yes | Yes | Yes | Yes | |
| 7017 | 5MVM188XN015 | | | BUSH HEAT R | | 1 | Yes | Yes | Yes | Yes | Yes | |
| 7018 | 5MVM188XN016 | | | BUSH HEAT L | | 1 | Yes | Yes | Yes | Yes | Yes | |
| 7019 | 5EZPB2413120101 | | | HEATER LAMP (E) | 240V 14PPM | 1 | 1 | Yes | No | No | No | Yes |
| 7019 | ISPA93U++002 | | | HEATER LAMP (U) | 120V 14PPM | 1 | 1 | No | Yes | Yes | No | No |
| 7019 | ISPA94J++001 | | | HEATER LAMP (J) | 100V 14PPM | 1 | 1 | No | No | No | Yes | No |
| 7023 | 5AAXTM014GEA | | | THERMISTOR ASSY | | 1 | 1 | Yes | Yes | Yes | Yes | Yes |
| 7024 | 5EYFFQ16001++01 | | | THERMO CUT OUT | | 1 | 1 | Yes | Yes | Yes | Yes | Yes |
| 7025 | 5AAVSEPRT015 | | | SEPARATOR ASSY | | 4 | Yes | Yes | Yes | Yes | Yes | B-8652/YC-6067 |
| 7026 | 5MMW261LD055 | | | SPRING SEPARATOR | | 4 | Yes | Yes | Yes | Yes | Yes | B-8652/YC-6067 |
| | 5MVS222KN006 | | | SHEET REAR | | 2 | Yes | Yes | Yes | Yes | Yes | B-8652 |
| | 5MVS222KW001 | | | SHEET REAR B | | 2 | Yes | Yes | Yes | Yes | Yes | B-8664 |

7000 – 7999 (Continued)

| Ref. No. | Part Number | Alternative #1 | Alternative #2 | Description | ISP | Q'ty | KMDE | KMA | TwN | KMC | Phn | remarks |
|----------|--------------|----------------|----------------|---------------|-----|------|------|-----|-----|-----|-----|---------|
| 7027 | 5MVG148XN008 | | | GEAR HEAT Z33 | | 1 | Yes | Yes | Yes | Yes | Yes | |
| 7028 | 5MVG148XN009 | | | GEAR IDLE Z34 | | 1 | Yes | Yes | Yes | Yes | Yes | |
| 7029 | 5MML531RD001 | 5MML531RD002 | | HOLDER LAMP A | | 1 | Yes | Yes | Yes | Yes | Yes | |
| 7030 | 5MML211RD002 | | | HOLDER LAMP B | | 1 | Yes | Yes | Yes | Yes | Yes | |
| 7031 | 5MVM273DB005 | | | PULLEY EXIT | | 2 | Yes | Yes | Yes | Yes | Yes | |
| 7032 | 5MMW601LD011 | | | SPRING PULLEY | | 2 | Yes | Yes | Yes | Yes | Yes | |

8000 – 8999

| Ref. No. | Part Number | Alternative #1 | Alternative #2 | Description | ISP | Q'ty | KMDE | KMA | TwN | KMC | Phn | Remarks |
|----------|--------------|----------------|----------------|---------------------|-----|------|------|-----|-----|-----|-----|---------|
| 8001 | 5MVB886SH063 | | | BASE CASSETTE | | 1 | Yes | Yes | Yes | Yes | Yes | |
| 8004 | 5MMS856SL001 | | | PLATE BOTTOM | | 1 | Yes | Yes | Yes | Yes | Yes | |
| 8005 | 5MMW552LD002 | | | SPRING CASSETTE | | 2 | Yes | Yes | Yes | Yes | Yes | |
| 8006 | 5MVX765SH002 | | | GUIDE SIDE R | | 1 | Yes | Yes | Yes | Yes | Yes | |
| 8007 | 5MVX765SH003 | | | GUIDE SIDE L | | 1 | Yes | Yes | Yes | Yes | Yes | |
| 8008 | 5MVX664SH003 | | | STOPPER PAPER | | 1 | Yes | Yes | Yes | Yes | Yes | |
| 8009 | 5MVX541DG003 | | | LEVER SIDE | | 1 | Yes | Yes | Yes | Yes | Yes | |
| 8010 | 5MVX541DG002 | | | LEVER REAR | | 1 | Yes | Yes | Yes | Yes | Yes | |
| 8011 | 5MVG127DN071 | | | GEAR CASSETTE | | 1 | Yes | Yes | Yes | Yes | Yes | |
| 8015 | 5MMW251LD047 | | | SPRING SEPARATOR C | | 1 | Yes | Yes | Yes | Yes | Yes | |
| 8016 | 5MVX431DW001 | | | LOCK CASSETTE R | | 1 | Yes | Yes | Yes | Yes | Yes | |
| 8017 | 5MVX431DW002 | | | LOCK CASSETTE L | | 1 | Yes | Yes | Yes | Yes | Yes | |
| 8018 | 5MMW251LD045 | | | SPRING LOCK | | 2 | Yes | Yes | Yes | Yes | Yes | |
| 8019 | 5MMP141LD003 | | | PLATE STOPPER | | 1 | Yes | Yes | Yes | Yes | Yes | |
| 8020 | 5MMP141LD002 | | | PLATE SIDE GUIDE | | 1 | Yes | Yes | Yes | Yes | Yes | |
| 8021 | 5MMW171LD006 | | | SPRING STOPPER | | 1 | Yes | Yes | Yes | Yes | Yes | |
| 8A01 | 5AAVB0T0M009 | 5AAY3010E+49 | | BOTTOM CASSETTE KIT | | 1 | Yes | Yes | Yes | Yes | Yes | |
| 8A02 | 5AAVSEPR013 | 5AAY3010E+50 | | SEPARATOR KIT | | 1 | Yes | No | No | No | Yes | |

Accrsories and Packing Matters

| Ref. No. | Part Number | Alternative #1 | Alternative #2 | Description | ISP | Q'ty | KMDE | KMA | TwN | KMC | Phn | Remarks |
|----------|--------------|----------------|----------------|----------------|-----|------|------|-----|-----|-----|-----|---------|
| A-002 | 5AACAC428EEA | 5AACAC476EEA | 5AACAC479EEA | AC CORD ASSY | | 1 | Yes | No | No | No | Yes | |
| A-002 | 5AACAC393ULA | 5AACAC482ULA | | AC CORD ASSY | | 1 | No | Yes | Yes | No | No | |
| A-002 | 5AACAC444JAA | 5AACAC483JAA | | AC CORD ASSY | | 1 | No | No | No | Yes | No | |
| A-003 | 5AAMDK5P**01 | | | CLEANING KIT C | | 1 | Yes | Yes | Yes | Yes | Yes | |
| P-001 | 5AAKA94E++02 | | | PACKING ASSY E | | 1 | Yes | No | No | No | Yes | |
| P-001 | 5AAKA94U++02 | | | PACKING ASSY U | | 1 | No | Yes | No | No | No | |

Accrsoories and Packing Matters (Continued)

| Ref. No. | Part Number | Alternative #1 | Alternative #2 | Description | ISP | Q'ty | KMDE | KMA | TwN | KMC | Phn | Remarks |
|----------|--------------|----------------|----------------|--------------|-----|------|------|-----|-----|-----|-----|---------|
| P-001 | 5AAKA94TW+01 | | | PACKING ASSY | TWN | 1 | No | No | Yes | No | No | |
| P-001 | 5AAKA94J++02 | | | PACKING ASSY | J | 1 | No | No | No | Yes | No | |

Firmware DIMM

| Ref. No. | Part Number | Alternative #1 | Alternative #2 | Description | ISP | Q'ty | KMDE | KMA | TwN | KMC | Phn | Remarks |
|----------|----------------|----------------|----------------|-------------------|------------|------|------|-----|-----|-----|-----|---------|
| PWBA/D | 5AAPRMEG4023KQ | | | P.W.B ASSY KP-893 | FLASH DIMM | 1 | 1 | Yes | Yes | Yes | Yes | Yes |