

KRC-665R/591

KRC-591V/591Y/591YV

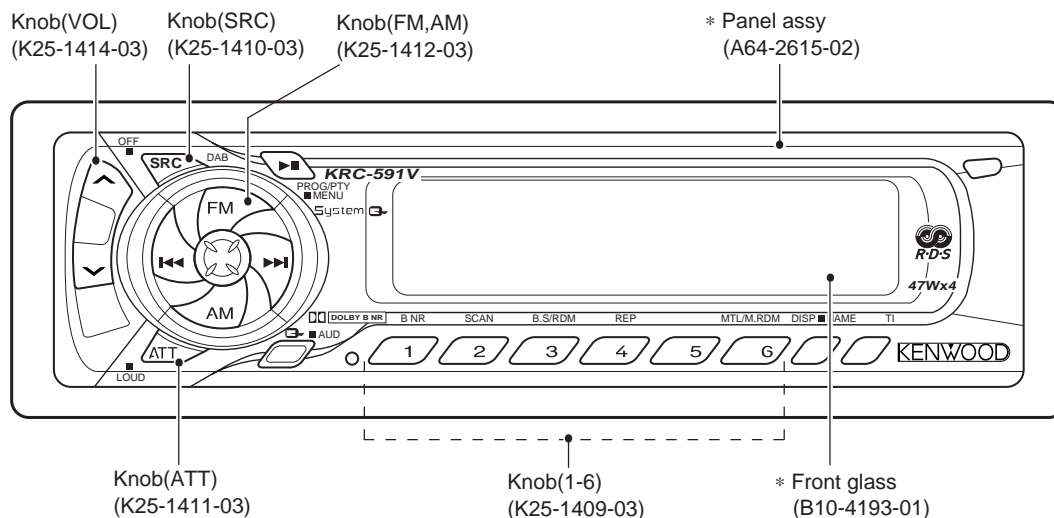
SERVICE MANUAL

MECHANISM EXTENSION CORD

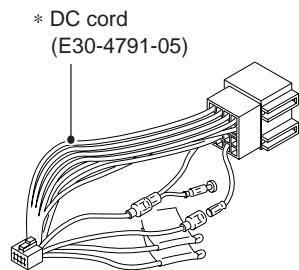
W05-0477-00 (7P)

W05-0609-00 (10P)

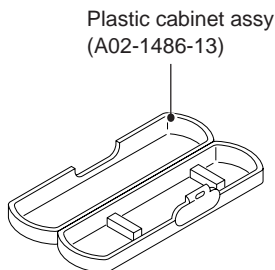
● **KRC-591V**



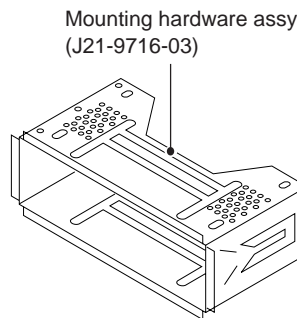
* Refer to the PARTS LIST



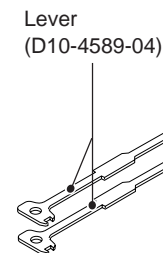
* DC cord
(E30-4791-05)



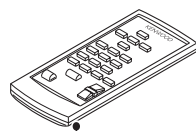
Plastic cabinet assy
(A02-1486-13)



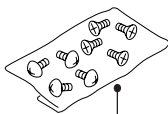
Mounting hardware assy
(J21-9716-03)



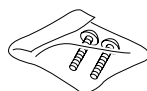
Lever
(D10-4589-04)



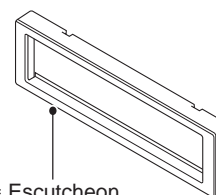
Remote controller assy RC-410
(A70-2025-05)
: KRC-665R only



Screw set
(N99-1719-05)
: KRC-665R only



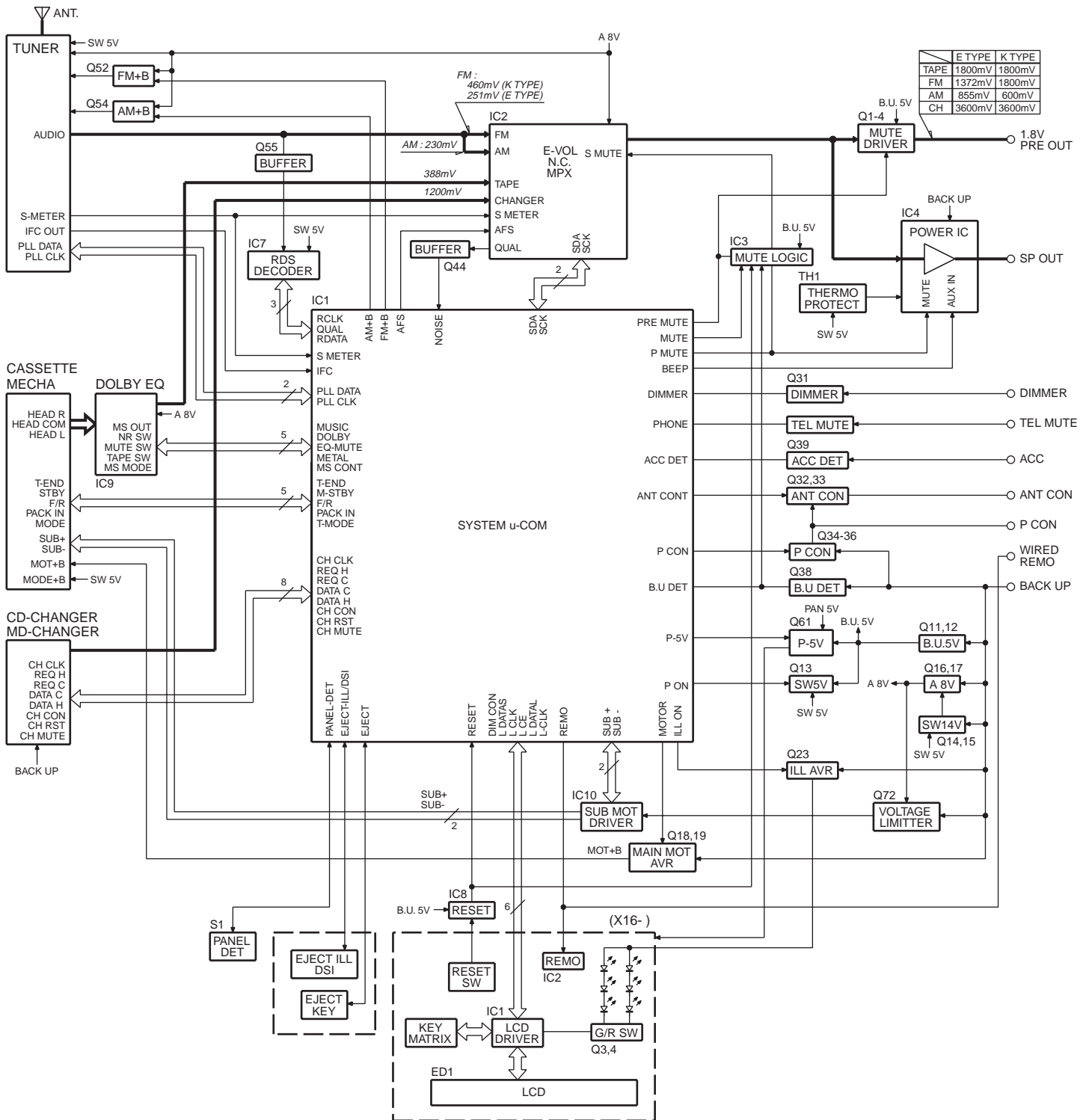
Screw set
(N99-1656-05)



* Escutcheon
(B07-3054-02)

KRC-665R/591/591V/591Y/591YV

BLOCK DIAGRAM



KRC-665R/591/591V/591Y/591YV

COMPONENT DESCRIPTION

● SYNTHESIZER UNIT (X14-68XX-XX)

Component	Purpose • Function	Operation • Conditions • Compatibility
IC1	SYSTEM μ -COM	
IC2	E-VOL, N.C. NPX	
IC3	Mute logic circuit	4 input NOR gate x 4
IC4	Power IC	
IC7	RDS Decoder	
IC8	Reset IC	"L" detection voltage: 3.0 V or less
IC9	Equalizer amplifier	DOLBY B
IC10	Sub motor driver	
IC11	EEPROM	
Q1	Audio mute SW	Front L-channel is muted when base goes "H".
Q2	Audio mute SW	Front R-channel is muted when base goes "H".
Q3	Audio mute SW	Rear L-channel is muted when base goes "H".
Q4	Audio mute SW	Rear R-channel is muted when base goes "H".
Q11,Q12	B.U. 5V AVR	Darlington connection
Q13	SW 5V	ON when base goes "L".
Q14,Q15	SW 14V	Audio 8V ON/OFF SW Q15 is turned ON when Q14's base goes "H".
Q16,Q17	AUDIO 8V AVR	Darlington connection
Q18,Q19	Main motor SW	Q19 is turned ON when Q18's base goes "H".
Q20,Q21	ILL power ON/OFF SW	Q21 is turned ON when Q20's base goes "H".
Q23	ILL AVR	Inverted darlington connection
Q31	Dimmer control SW	Small light detection when base goes "H".
Q32,Q33	Power antenna SW	Q33 is turned ON when Q32's base goes "H".
Q34,Q37	Power control SW	Q34 is turned ON when Q37's base goes "H".
Q35,Q36	Power control circuit output protection	When the output voltage decrease is detected, Q37 is turned off to protect the output. When the power control switch is turned on, Q35 protects the system from misoperation.
Q38	B.U detection	"L" when B.U is present. "H" when B.U is absent or when momentary power down detection.
Q39	ACC detection	"L" when ACC is present.
Q42	Mute driver	For driving the audio mute switch. ON when the base goes "L".
Q43	MUTE SW for E-VOL.	Turns on when base goes "L" and E-VOL is muted.
Q44	Noise buffer	
Q51,Q52	FM+B SW	Q52 is turned ON when Q51's base goes "H".
Q53,Q54	AM+B SW	Q54 is turned ON when Q53's base goes "H".
Q55	Composite signal buffer	
Q61	PANEL 5V SW	ON when the base goes "L".
Q71	MSTC SW	ON when the base goes "H".
Q72	Sub motor AVR	7.3V output when AUDIO 8V is turned on.
Q82	EJECT ILL/DSI SW	ON when the base goes "L".

● SWITCH UNIT (X16-16XX-XX)

Component	Purpose • Function	Operation • Conditions • Compatibility
IC1	LCD driver	
IC2	Remocon IC	
Q1	Key scan start SW	ON when the base goes "L".
Q2	Remocon IC VDD supply SW	Supply of Remocon IC VDD when the base goes "L".
Q3	Key Illumination SW (Green)	ON (Key Illumination Green) when the base goes "H".
Q4	Key Illumination SW (Red)	ON (Key Illumination Red) when the base goes "H".

KRC-665R/591/591V/591Y/591YV

MICROCOMPUTER'S TERMINAL DESCRIPTION

● IC1(SYNTHESIZE UNIT : X14-68XX-XX)

Pin No.	Pin Name	I/O	Description	Processing Operation
1	TYPE 1	I	Destination type selection port	
2	TYPE 2	I	Destination type selection port	
3	IFC	I	F/E IFC OUT input terminal	H: Station exists Vth: 2.5V
4	AVSS	-	A/D,D/A converter ground connection terminal	Connected to GND lines.
5	IC2-TYPE 1	I	Market/genuine select (Noise cancel)	L: Market H: genuine
6	PANEL-DET	I	Panel detection	L: Panel exists H: Panel does not exists
7	AVREF1	I	D/A converter reference voltage input terminal	Connecting to BU5V
8	CH-DATAC	I	Data input from changers	
9	CH-DATAH	O	Data output to changers	Last maintenace
10	CH-CLK	I/O	Clock input/output with changers	input
11	L-DATAL	I	Data input from the LCD driver IC	Communication speed 600kHz (max)
12	L-DATAS	O	Data output to the LCD driver IC	Communication speed 1.2MHz (max)
13	L-CLK	O	Clock output to the LCD driver IC	L: Panel detachd
14	L-CE	O	LCD driver chip enable	H: Driver select L: Not select
15	BEEP	O	BEEP sound output	
16	PLL-DATA	I/O	Tuner (01ST) data input/output	Last maintenace
17	FLIP-DET	I	Panel detach detection	L: Panel attached H: Panel detached
18	PLL CLK	O	Tuner (01ST) clock input/output	
19	N.C.	O	Not used	
20	EJECT ILL/DSI	O	EJECT ILL KEY & DSI output	L: Light ON H: Light OFF
21	L-RST	O	Reset output to the LCD driver IC	L: Reset ON H: Reset OFF
22	PAN 5V	I/O	Panel 5V control terminal	L: ON (Panel exists & ACC ON) H: OFF (Panel does not exists or ACC OFF)
23	R-DATA	I	Data input from the RDS decoder IC	
24	R-QUAL	I	Quality input from the RDS decoder IC	
25	SUB (-)	O	Sub motor output (-)	
26	SUB (+)	O	Sub motor output (+)	
27	FWD/REV	I	Cassette tape running direction detection	H: FWD L: REV
28	MS-CONT	O	ADV sensitivity control	H: PLAY L: FF/REV
29	METAL	O	NORMAL/METAL change	H: NORMAL L: METAL
30	EQ-MUTE	O	EQ-MUTE change	H: ON L: OFF
31	DOLBY	O	Dolby ON/OFF	H: ON L: OFF
32	MUSIC	I	Casstet music space detection	H: Music does not exists L: Music exist
33	VSS1	-	GND	
34	IC2 TYPE 0	I	Market/genuine select 0 (ROLL-OFF)	L: Market L: Genuine 0
35	AM+B	O	AM power supply terminal	H: During AM reception
36	FM+B	O	FM power supply terminal	H: During FM reception if with RDS
37	AFS	O	Noise detection time constant switching terminal	Hi: During FM reception, Lo: During FM seek or AF search
38	IC2-CLK	O	IC2 clock output	
39	IC2-DATA	I/O	IC2 data input/output	
40	EEPROM DET	I	EEPROM detection terminal	H: EEPROM exist L: EEPROM does not exists
41	P-MUTE	O	Power IC mute control output	H: Mute OFF L: Mute ON, PowerOFF, All OFF, TEL Mute
42	P-STBY	O	Power IC standby control output	L: Power IC OFF, All OFF mode H: Power IC ON
43	MUTE	O	IC2 mute control output	H: Mute ON L: Mute OFF
44	PRE MUTE	O	Pre-out mute control	L: Momentary power down, Reset
45	DIMMER-CON	O	Dimmer Control	Control with pulse output H: Power ON L: Power OFF
46	BU-DET	I	Momentary power down detection input	H:BU OFF L: BU ON
47	ACC-DET	I	ACC detection input	L: ACC ON H: ACC OFF
48	DIMMER	I	Small lights detection input	L: ON H: OFF
49	REMO	I	Data input from the remote control light sensor	
50	ANT-CON	O	Antenna control output	H: TUNER, TI

KRC-665R/591/591V/591Y/591YV

MICROCOMPUTER'S TERMINAL DESCRIPTION

Pin No.	Pin Name	I/O	Description	Processing Operation
51	P-CON	O	Power control output	H: Power ON L: Power OFF
52	CH-RECH	O	Request output to changers	L: Request
53	CH-RST	O	Reset output to changers	L: Normally
54	CH-MUTE	I	Mute request from changers	H: ON L: OFF
55	CH-CON	O	Changer control	H: ON L: OFF
56	P-ON	I/O	SW 5V control output	H: OFF L: ON
57	MOTOR	O	Main motor output	H: ON L: OFF
58	M-STBY	I	Cassette standby detection	H: STBY
59	T-END	I	Tape end detection	H: Tape play L: Tape end
60	RESET	I	Reset input terminal	L: System reset H: Normally
61	EJECT	I	Eject key detection	H: OFF L: ON
62	CH-REQC	I	Request input from changers	H: OFF L: ON
63	ILL ON	O	Illumination output terminal	H: ON L: OFF
89	KEY-REQ	I	Panel key interrupt input	L: Key input exist
65	R-CLK	I	Clock input from the RDS decoder IC	
66	PACK-IN	I	Cassette pack-in detection	H: Pack-in
67	VSS0	-	GND (port)	
68	VDD1	-	Positive power supply	
69	X2	-	Main clock output (12MHz)	
70	X1	I	Main clock input	
71	TEST	I	Program power supply (Mask: Test terminal)	
72	XT2	-	Sub clock output (32.768MHz)	
73	XT1	I	Sub clock input	
74	VDD0	-	Positive power supply (port)	
75	AVDD	I	A/D port reference voltage input	
76	PHONE	I	Phone detection terminal	Less than 1V: TEL mute More than 2.5V: NAVI mute
77	T-MODE	I	Tape mode detection	Vth=2.5V
78	S-METTER	I	S-meter input from F/E	
79	NOISE	I	FM noise detection input	
80	TYPE 0	I	Destination type selection terminal	

KRC-665R/591/591V/591Y/591YV

TEST MODE

1. How to enter the test mode

- Reset the unit while holding preset 1 key and preset 3 key.

2. How to exit from the test mode

- RESET
- POWER OFF
- ACC OFF
- Bu OFF
- Panel detach

3. Initial status in test mode

- Sources : ALL OFF
- Display : All segments are lit.
- Volume : -10 dB (displayed as 30)
- LOUD : OFF
- CRSC : OFF regardless of the presence of switching function.
- SYSTEM Q : Flat
- BEEP : ON
- DEMO : OFF

4. Special display during Tuner mode

If the following display appears during the TUNER mode, the front end is defective.

- "TNE2P NG": EEPROM remains in the initial value (don't care) because the product is shipped without passing the F/E adjustment process.
- "TNCON NG": Communication with the F/E is not possible.

5. Forced switching of K3I

Every pressing of the Preset 6 key during the TUNER mode, changes the status from Forced middle → Forced narrow → AUTO → Forced wide → Forced middle.

When the product is set to the Forced middle: FMM in the initial state, the following message appears.

- Forced middle : FMM
- Forced narrow : FMN
- AUTO : FMA
- Forced wide : FMM

6. Test mode specifications of the CD receiver

- Forced eject operation is prohibited during the reset start mode. CD cannot be recognized when the product is reset with CD remains inserted.

- Track jump takes place to the following track when the Track up key is pressed.

No. 9 → No. 15 → No. 10 → No. 11 → No. 12 → No. 13 → No. 14 → No. 9 (The cycle restarts from here.)

- When the Track down key is pressed, track returns back by one track during playback.

7. Audio system

- The product enters the audio adjustment mode when the Q key is pressed momentarily.
- Continuous advance operation from remote control is prohibited.
- The Bass/Middle/Treble is adjusted to either one of the 3 steps of MIN/Center/MAX with Track up/down key.
- Balance is adjusted to either one of the 3 steps of Left MAX/Center/Right MAX with Track up/down key.
- Fader is adjusted to either one of the 3 steps of Rear MAX/Center/Front MAX with Track up/down key.
- HPF (high-pass filter) is adjusted to either Through or 220 Hz with Track up/down key.
- LPF (low-pass filter) is adjusted to either Through or 120 Hz with Track up/down key.
- Bass f/Bass Q/Bass EXT/Middle f/Middle Q/Treble f do not appear on the audio adjustment.

8. MENU system

- The product enters the MENU mode when the CLK key is pressed momentarily.
- The product enters the MENU mode when the DNPP/SBF key of the remote control is pressed.
- Continuous advance operation from remote control is prohibited.
- The calendar adjustment, calendar display switching and calendar memo are deleted from the advance operation. (FL model)
- Red is set by the preset 1, blue by 2, green by 3 and white by 4 in the color adjustment mode. (VCLD model)
- Contrast can be adjusted in 3 steps of 0/5/10. Initial value is 5. (VCLD/VCLD model)
- Brightness can be adjusted in 3 steps of 0/5/10. Initial value is 10. (Normal FL model)

9. Backup current measurement

If RESET is activated in the ACC OFF state (when BACKUP button is turned ON), the MUTE terminal turns OFF in 2 seconds, not in 15 seconds. (At this time, the panel/CD/TAPE mechanism does not operate.)

KRC-665R/591/591V/591Y/591YV

TEST MODE

10. Special display when the display is All ON

If the PRESET key is pressed while all displays are turned on by ALL OFF, the following display appears.

PRESET 1	Version display (8 digits, Month/Day/Hour/Minute) (Display) xxxxxxxx System microcomputer
PRESET 2	All displays are turned on.
PRESET 3	Short press : Power-ON time display Long press : Power-ON time is cleared. (Display) Pon xxxxx Max. 65535 (hours)
PRESET 4	Short press : TAPE/CD/MD running hour display Long press : TAPE/CD/MD unning hour is cleared. (Display) CDT xxxxx (CD/R) TPT xxxxx (C/R) Max. 65535 (hours)
PRESET 5	Short press : TAPE/CD/MD eject count display Long press : TAPE/CD/MD eject count is cleared. (Display) EJT xxxxx Max. 65535 (times)
PRESET 6	Short press : PANEL open/close count display Long press : PANEL open/close count is cleared. (Display) PCX xxxxxx Max. 65535 (times)

* Write timing into EEPROM is when ACC OFF and POWER OFF sequence is completed.

11. Others

- Displays such as "CODE OFF" are not shown during Power-ON.
- When the CLK key is pressed longer for 1 second during ALL OFF, the product enters the MASK KEY (security) write mode.
- The RESET-LOADING is not performed unless CD is already caught in the CD/R mode.

■ Security-related information

• Forced Power ON mode (All models)

Even when security (MASK key) is enabled, the product can be powered ON for 30 minutes only by pressing the RESET key while both of the ATT key and the Preset 4 keys are being pressed. The product will recover only by RESET if 30 minutes have elapsed.

• Security code registration procedure (code security model) after EEPROM (F/E) is replaced.

1. Let the product enter the test mode. (See 1. How to Enter Test Mode)

2. Enter the security registration mode by pressing the CLK key.
3. Enter the CODE by pressing the Track up/down and AM/FM key.

Example: To enter "3510"

- Press the FM key four times.
- Press the Track up key once and the FM key six times.
- Press the Track up key once and the FM key twice times.
- Press the Track up key once and the FM key once times.
- When the AM key is pressed, the codes are searched in reversed direction. When Track down key is pressed, the entry digits return.

4. When the DISP key is pressed for three seconds, the message "RE-ENTER" appears. Then enter the code referring to step 3.

5. Press the DISP key for three second so that the message "APPROVED" appears.

6. Quit the test mode. (See item 2. How to quit the test mode.)

(Note) The security code of this model cannot be all cleared.

• Simple security code clear procedure (K type only)

1. Press the VOL UP key longer for 3 seconds while pressing the DISP key during requesting the code. (The message ---- disappears.)

2. Enter "KCAR" from remote control. (Same as the 00 model)

- Press the 5 key twice on remote control and press the Track up key. (Enter "K".)
- Press the 2 key on the remote 3 times, then press the Track Up key. (This enters "C".)
- Press the 2 key on the remote once, then press the Track Up key. (This enters "A".)
- Press the 7 key on the remote twice, then press the Track Up key. (This enters "R".)

3. The security is released and the product enters the ALL OFF mode.

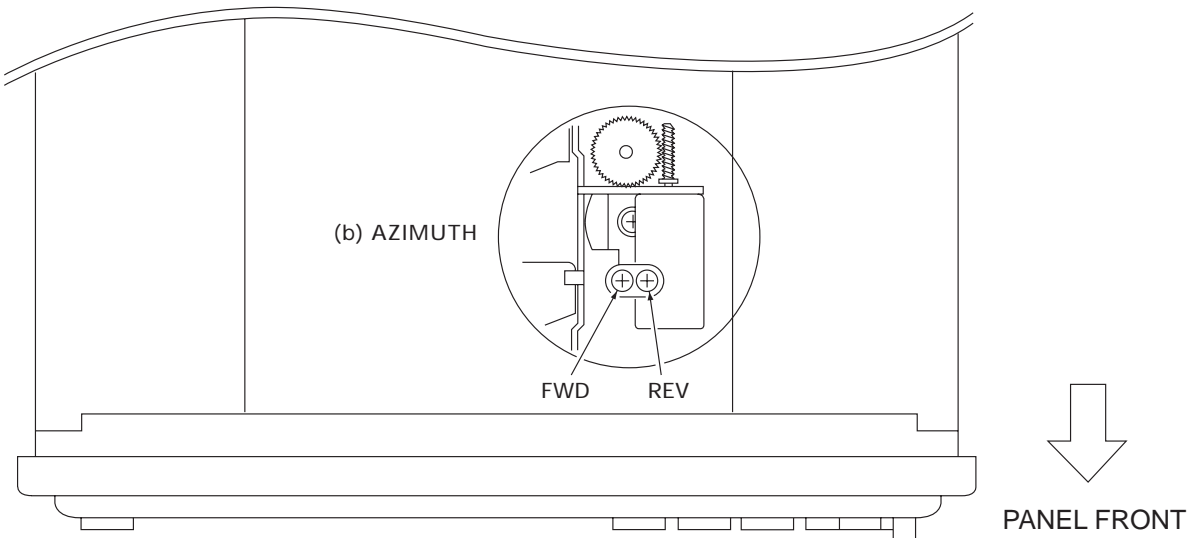
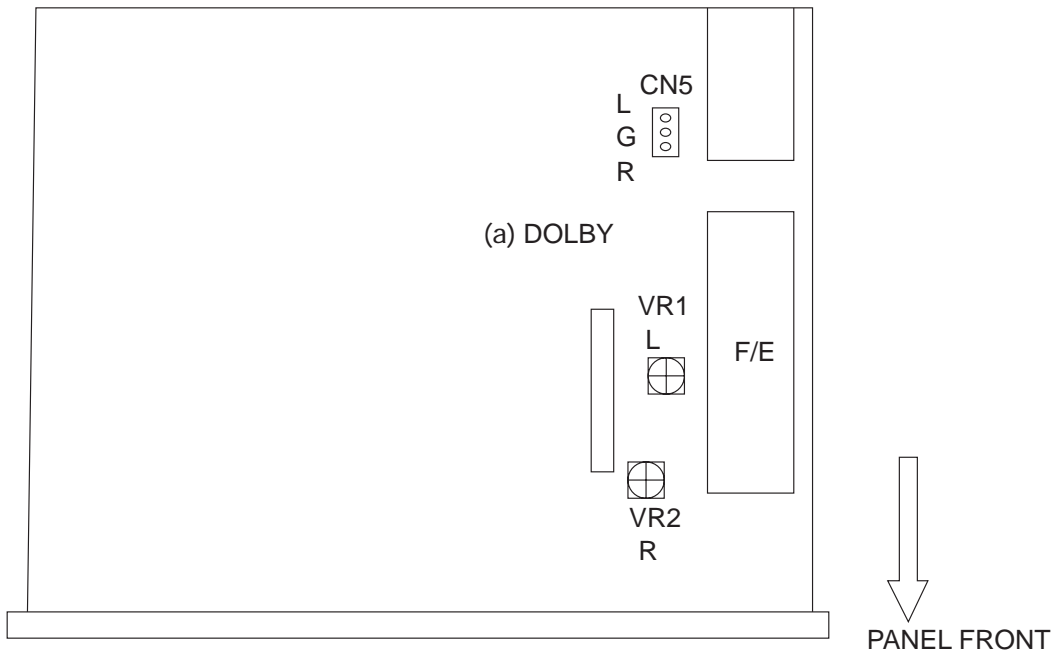
4. If incorrect code is entered by mistake, the product enters the code-requesting mode.

KRC-665R/591/591V/591Y/591YV

ADJUSTMENT

BALANCE/FADER/BASS/MID/TREBLE : CENTER
 T.ADV/METAL/DOLBY NR : OFF

No.	ITEM	INPUT SETTINGS	OUTPUT SETTINGS	ALIGNMENT POINTS	ALIGN FOR	FIG.
1	AZIMUTH	TCC-153 10kHz	SP OUT	Head azimuth screw (FWD/REV)	Adjust so that output level in playing FWD and REV becomes maximum each.	(b)
2	DOLBY (PLAY BACK LEVEL)	TCC-130	Connect an AC voltmeter to CN5 (X14-).	VR1 (L) VR2 (R)	388mV	(a)



PC BOARD (Component Side View)

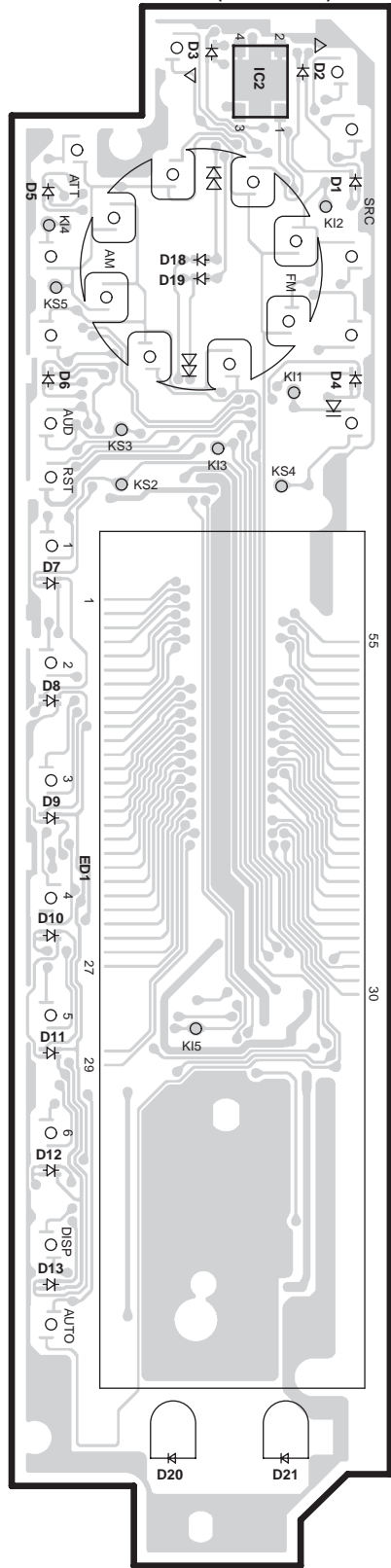
PC BOARD (Foil Side View)

SWITCH UNIT
(X16-1630-10/1630-11/
1672-70/1672-71)

Ref. NO.	IC	Q	Address
2			2B

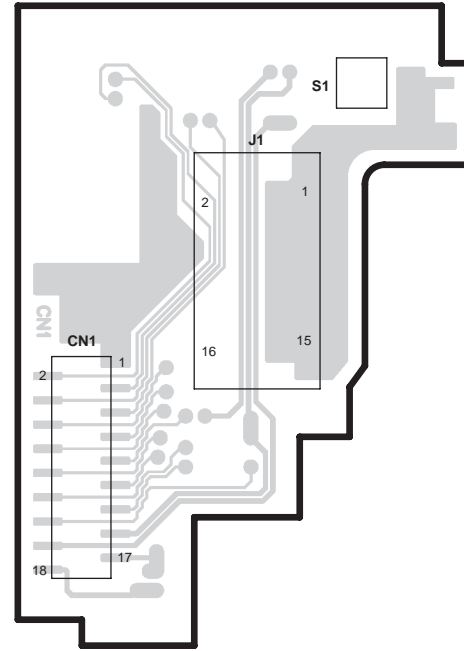
SWITCH UNIT

X16-1630-10/1630-11/1672-70/
1672-71 (J74-1315-02)



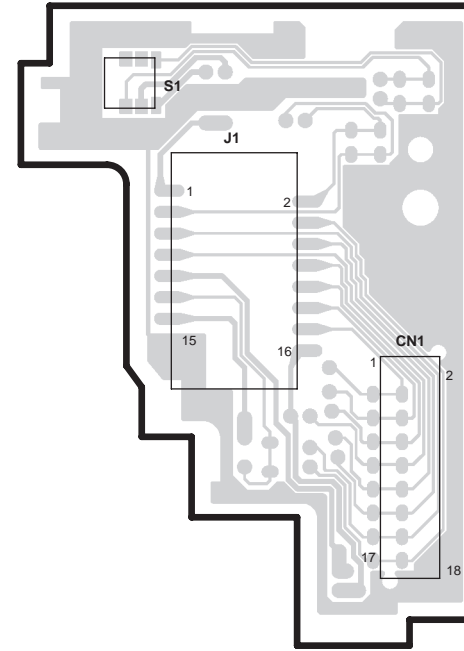
DAUGHTER UNIT

X89-2510-10/2522-70 (J74-1325-02)



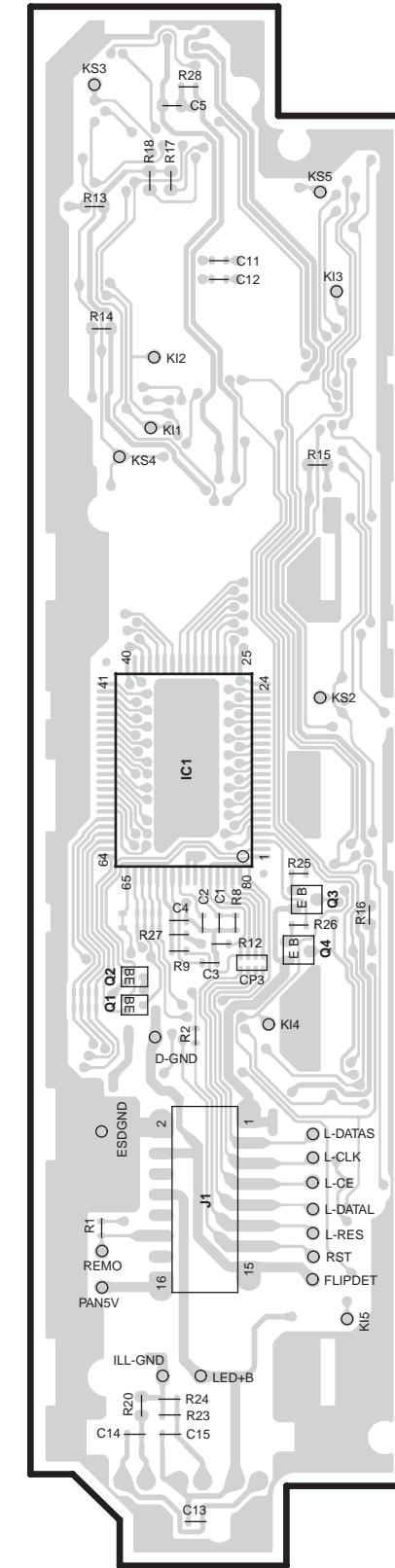
DAUGHTER UNIT

X89-2510-10/2522-70 (J74-1325-02)



SWITCH UNIT

X16-1630-10/1630-11/1672-70/
1672-71 (J74-1315-02)



SWITCH UNIT
(X16-1630-10/1630-11/
1672-70/1672-71)

Ref. NO.	IC	Q	Address
1			4H
1			5H
2			5H
3			5H
4			5H

Refer to the schematic diagram for the values of resistors and capacitors.

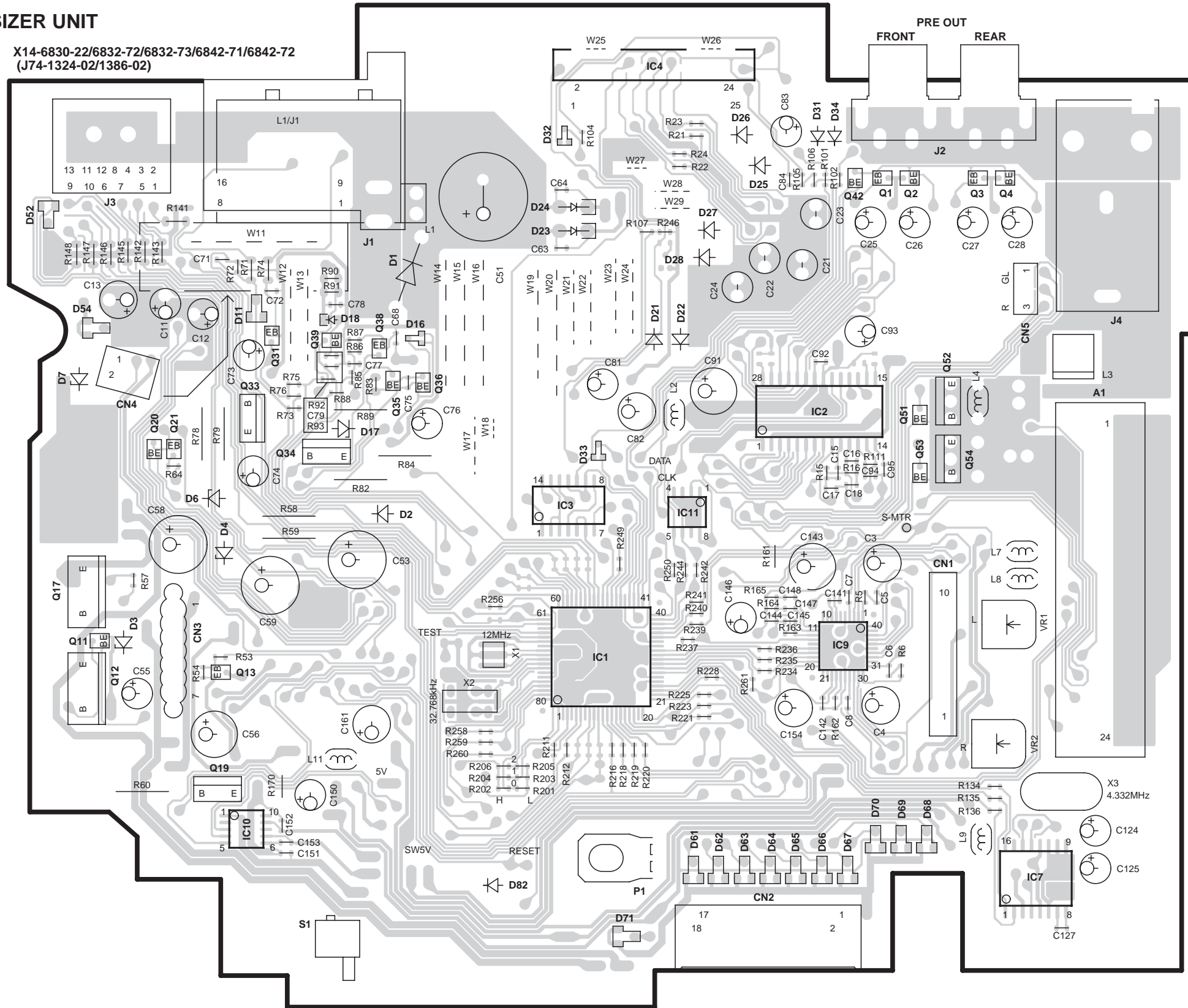
PC BOARD (Component Side View)

SYNTHESIZER UNIT

SYNTHESIZER UNIT
(X14-6830-22/6832-72/
6832-73/6842-71/6842-72)

Ref. NO.	IC	Q	Address
1			50
2			3P
3			4N
4			10
7			6Q
9			5P
10			6M
1			2P
2			2P
3			2Q
4			2Q
11			5L
12			5L
13			5M
17			4L
19			5M
20			3L
21			3L
31			3M
33			3M
34			4M
35			3N
36			3N
38			3M
39			3M
42			2P
51			3P
52			3P
53			4P
54			4Q

X14-6830-22/6832-72/6832-73/6842-71/6842-72
(J74-1324-02/1386-02)

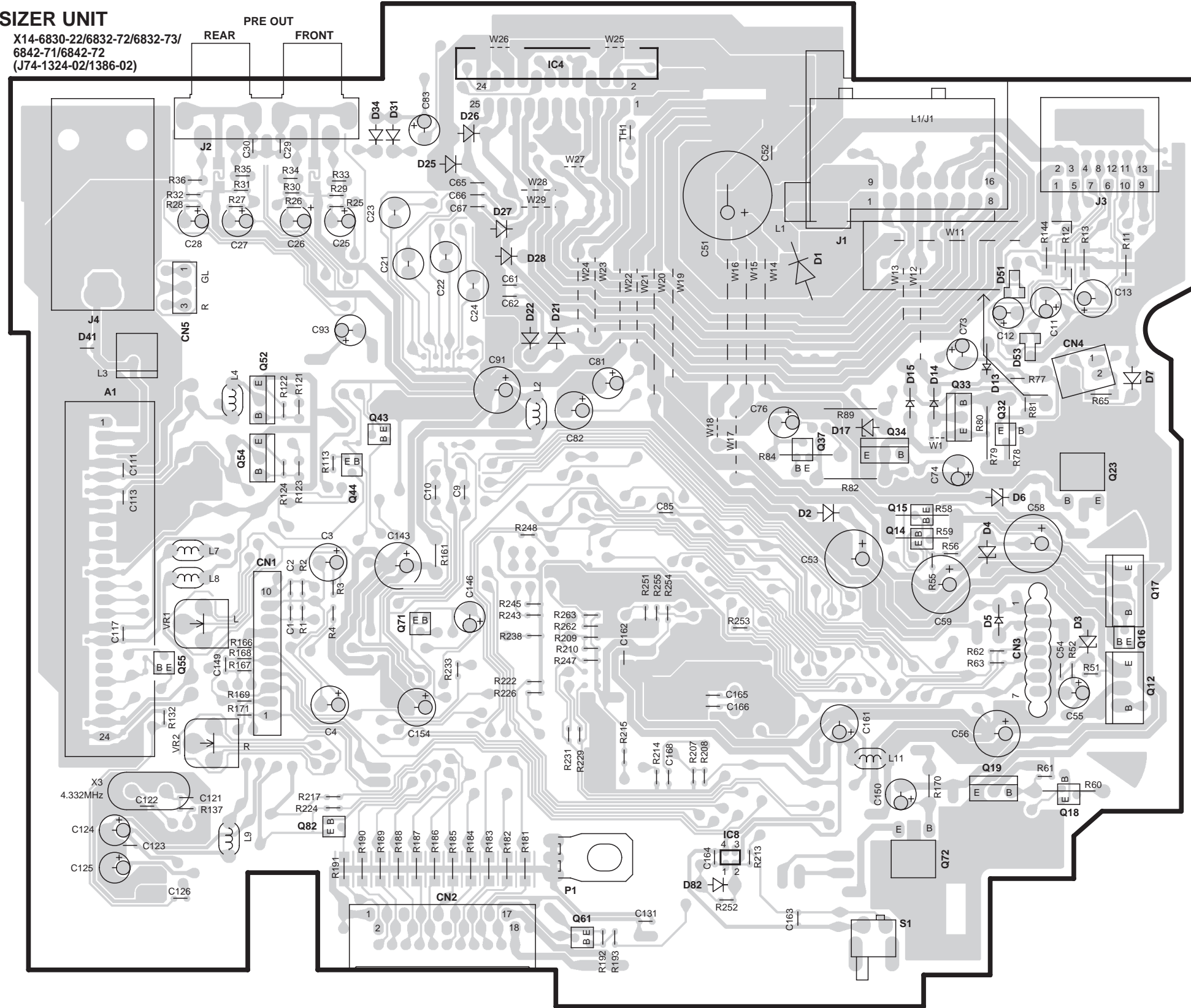


Refer to the schematic diagram for the values of resistors and capacitors.

PC BOARD (Foil Side View)

SYNTHESIZER UNIT

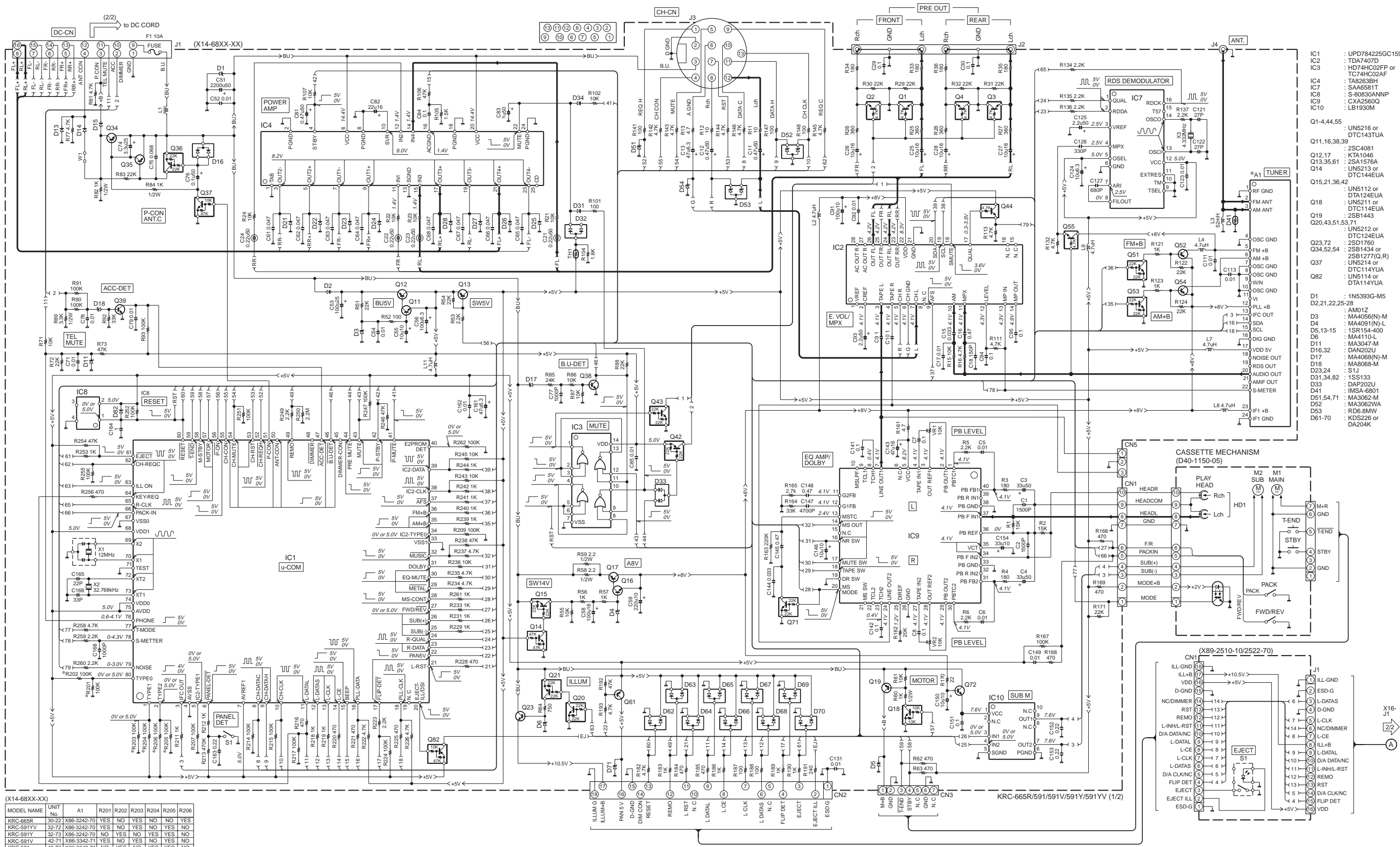
X14-6830-22/6832-72/6832-73/
6842-71/6842-72
(J74-1324-02/1386-02)



SYNTHESIZER UNIT
(X14-6830-22/6832-72/
6832-73/6842-71/6842-72)

Ref. NO.	IC	Q	Address
4			1V
8			6W
			12 5Y
			14 4X
			15 4X
			16 5Y
			17 4Y
			18 5Y
			19 5X
			23 4Y
			32 3X
			33 3X
			34 3X
			37 3W
			43 3U
			44 4U
			52 3U
			54 4U
			55 5T
			61 6V
			71 4U
			72 6X
			82 6U

Refer to the schematic diagram for the values of resistors and capacitors.



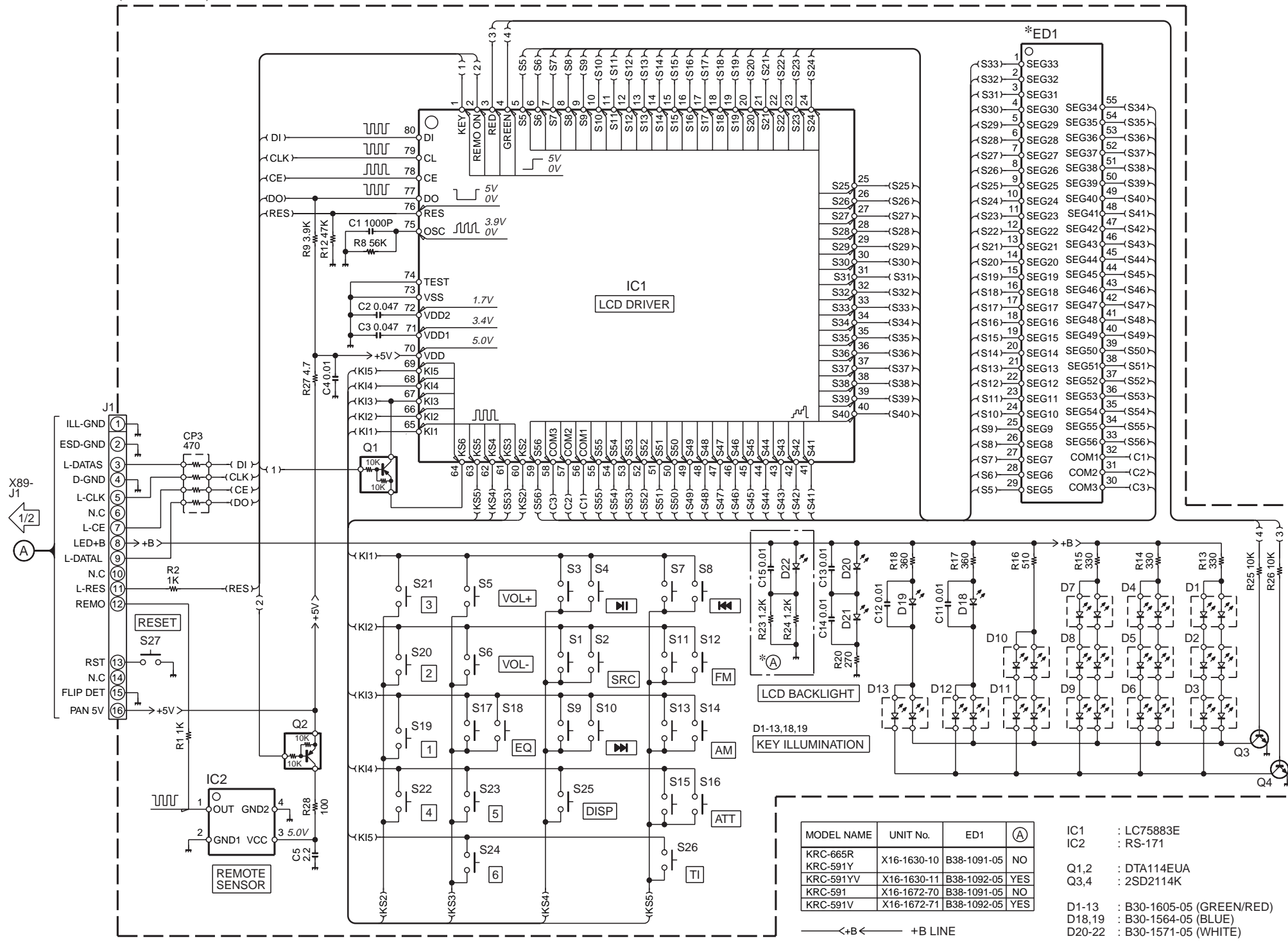
(X14-68XX-XX)

MODEL NAME	UNIT No.	A1	R201	R202	R203	R204	R205	R206
KRC-665R	30-22	X86-3242-70	YES	NO	YES	NO	NO	YES
KRC-591YV	32-72	X86-3242-70	YES	NO	YES	NO	NO	NO
KRC-591Y	32-73	X86-3242-70	NO	YES	NO	YES	YES	NO
KRC-591V	42-71	X86-3242-71	YES	NO	YES	NO	YES	NO
KRC-591	42-72	X86-3242-71	NO	YES	NO	YES	YES	NO

CAUTION: For continued safety, replace safety critical components only with manufacturer's recommended parts (refer to, parts list). ⚠ Indicates safety critical components. To reduce the risk of electric shock, leakage-current or resistance measurements shall be carried out (exposed parts are acceptably insulated from the supply circuit) before the appliance is returned to the customer.

DC voltages are as measured with a high impedance voltmeter. Values may vary slightly due to variations between individual instruments or/and units.

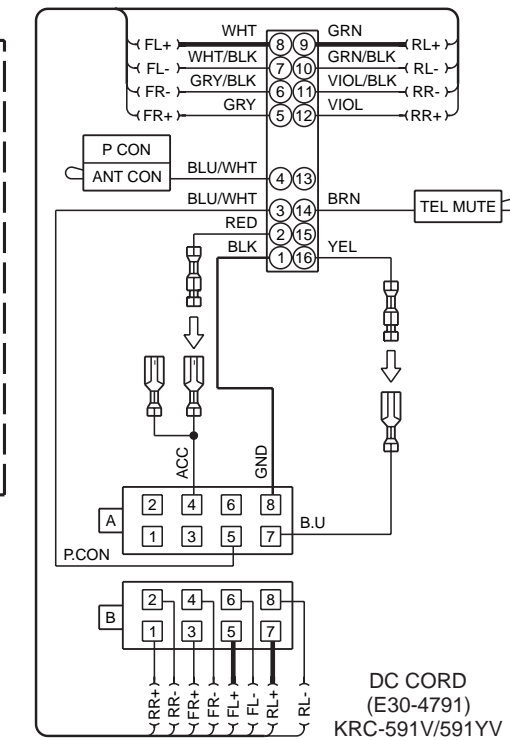
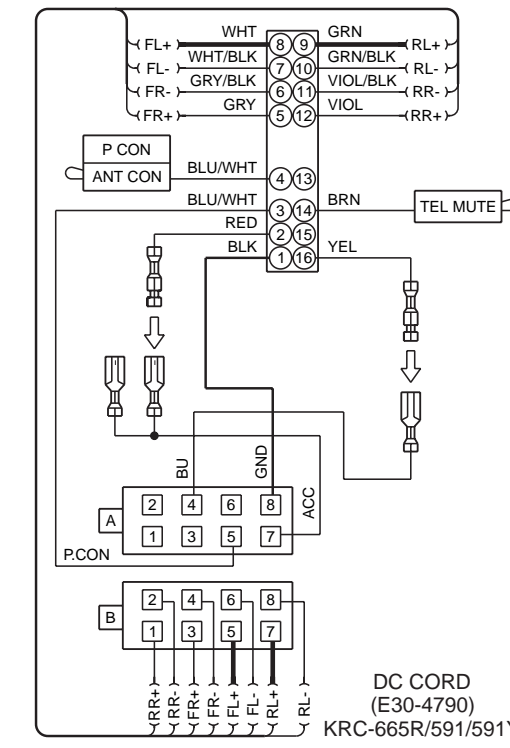
(X16-16XX-XX)



KRC-665R/591/591V/591Y/591YV (2/2)

MODEL NAME	UNIT No.	ED1	(A)
KRC-665R	X16-1630-10	B38-1091-05	NO
KRC-591Y	X16-1630-11	B38-1092-05	YES
KRC-591	X16-1672-70	B38-1091-05	NO
KRC-591V	X16-1672-71	B38-1092-05	YES

IC1 : LC75883E
 IC2 : RS-171
 Q1,2 : DTA114EUA
 Q3,4 : 2SD2114K
 D1-13 : B30-1605-05 (GREEN/RED)
 D18,19 : B30-1564-05 (BLUE)
 D20-22 : B30-1571-05 (WHITE)



- DTC114YUA UN5214 2SD1760 2SB1277 2SC4081 DTA114EUA DAN202U KTA1046 DAP202U UN5212
- DTC143TUA UN5216 2SB1443 DTA124EUA DTA114YUA DA204K DTA114YUA
- UN5114 2SA1576A
- UN5211 2SD2114K
- UN5213

CAUTION: For continued safety, replace safety critical components only with manufacturer's recommended parts (refer to, parts list). ⚠ Indicates safety critical components. To reduce the risk of electric shock, leakage-current or resistance measurements shall be carried out (exposed parts are acceptably insulated from the supply circuit) before the appliance is returned to the customer.

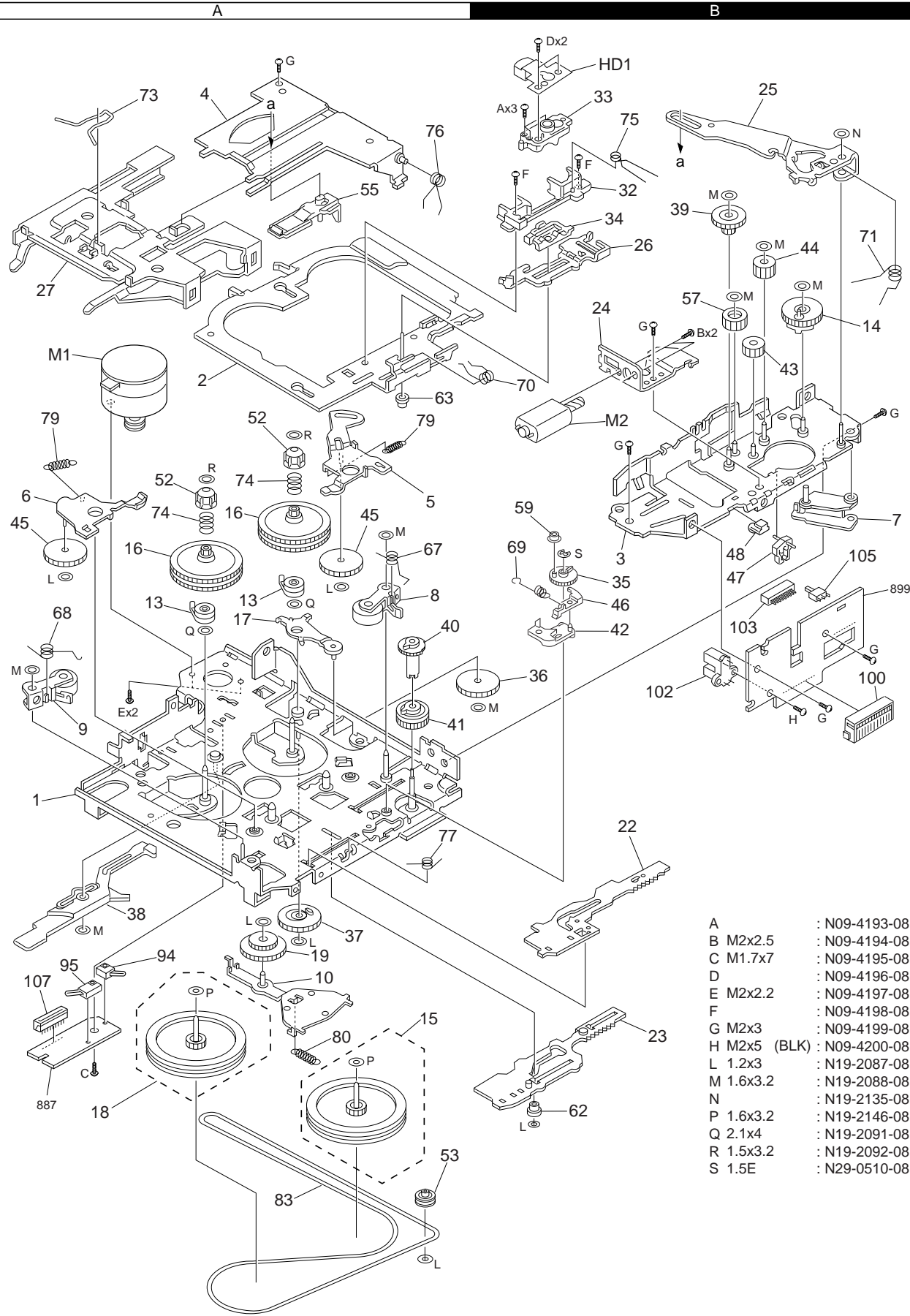
DC voltages are as measured with a high impedance voltmeter. Values may vary slightly due to variations between individual instruments or/and units.

KRC-665R/591/591V/591Y/591YV

KENWOOD

KRC-665R/591/591V/591Y/591YV

EXPLODED VIEW (MECHANISM)

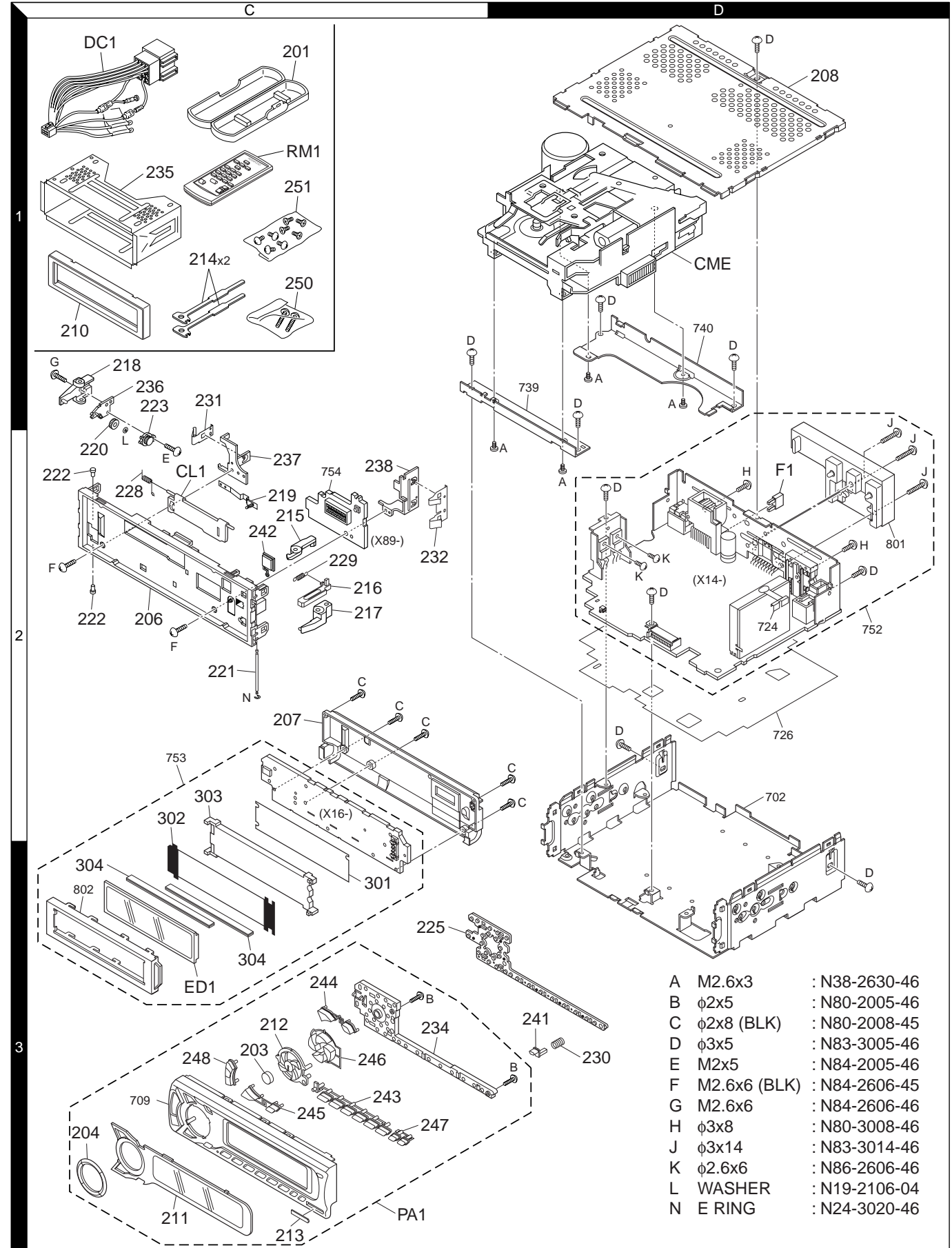


A	M2x2.5	: N09-4193-08
B	M2x2.5	: N09-4194-08
C	M1.7x7	: N09-4195-08
D		: N09-4196-08
E	M2x2.2	: N09-4197-08
F		: N09-4198-08
G	M2x3	: N09-4199-08
H	M2x5 (BLK)	: N09-4200-08
L	1.2x3	: N19-2087-08
M	1.6x3.2	: N19-2088-08
N		: N19-2135-08
P	1.6x3.2	: N19-2146-08
Q	2.1x4	: N19-2091-08
R	1.5x3.2	: N19-2092-08
S	1.5E	: N29-0510-08

Parts with exploded numbers larger than 700 are not supplied.

KRC-665R/591/591V/591Y/591YV

EXPLODED VIEW (UNIT)



A	M2.6x3	: N38-2630-46
B	φ2x5	: N80-2005-46
C	φ2x8 (BLK)	: N80-2008-45
D	φ3x5	: N83-3005-46
E	M2x5	: N84-2005-46
F	M2.6x6 (BLK)	: N84-2606-45
G	M2.6x6	: N84-2606-46
H	φ3x8	: N80-3008-46
J	φ3x14	: N83-3014-46
K	φ2.6x6	: N86-2606-46
L	WASHER	: N19-2106-04
N	E RING	: N24-3020-46

Parts with exploded numbers larger than 700 are not supplied.

KRC-665R/591/591V/591Y/591YV

PARTS LIST

* New Parts

Parts without Parts No. are not supplied.

Les articles non mentionnes dans le Parts No. ne sont pas fournis.

Teile ohne Parts No. werden nicht geliefert.

The language of an instruction manual.

E : ENG F : FRE P : POR H : HUN O : POL
 T : CHI G : GER D : DUT C : CRO Z : CZE
 A : ARA S : SPA I : ITA R : RUS L : SLO

Ref.No.	A d d	N e w	Parts No.	Description	Dest inati on
KRC-665R/591/591V/591Y/591YV					
201	1C		A02-1486-13	PLASTIC CABINET ASSY	
203	3C		A21-4172-04	DRESSING PANEL	
204	3C		A21-4173-03	DRESSING PANEL	
206	2C		A22-2938-01	SUB PANEL	
207	2C		A46-1754-01	REAR COVER	
208	1D		A52-0807-02	TOP PLATE	
CL1	2C		A53-1687-03	CASSETTE LID	
PA1	3C	*	A64-2613-02	PANEL ASSY	M3
PA1	3C	*	A64-2615-02	PANEL ASSY	E,E2
PA1	3C	*	A64-2616-02	PANEL ASSY	E3,E4
RM1	1C		A70-2025-05	REMOTE CONTROLLER ASSY RC-410	M3
210	1C		B07-3054-02	ESCUTCHEON	E,E2,E3,E4
210	1C		B07-3055-02	ESCUTCHEON	M3
211	3C	*	B10-4191-01	FRONT GLASS	M3
211	3C	*	B10-4193-01	FRONT GLASS	E,E2
211	3C	*	B10-4194-01	FRONT GLASS	E3,E4
212	3C		B19-2138-03	LIGHTING BOARD	
213	3C		B43-1284-04	BADGE	
-			B46-0100-50	WARRANTY CARD	M3
-			B46-0612-14	ID CARD	
-			B64-2236-00	INSTRUCTION MANUAL E,T	M3
-			B64-2237-00	INSTRUCTION MANUAL A	M3
-		*	B64-2238-00	INSTRUCTION MANUAL E,R,O	E2,E3
-		*	B64-2239-00	INSTRUCTION MANUAL Z,H,C,L	E2,E3
-		*	B64-2240-00	INSTRUCTION MANUAL E,F,G	E,E4
-		*	B64-2241-00	INSTRUCTION MANUAL D,I,S,P	E,E4
214	1C		D10-4589-04	LEVER	
215	2C		D10-4666-04	LEVER	
216	2C		D10-4667-04	LEVER	
217	2C		D10-4668-04	LEVER	
218	1C		D10-4669-03	LEVER	
219	2C		D10-4673-04	LEVER ASSY	
220	2C		D13-2232-04	GEAR	
221	2C		D21-2404-04	SHAFT	
222	2C		D21-2405-04	SHAFT	
223	2C		D39-0255-05	DAMPER	
CME	1D		D40-1150-05	CASSETTE MECHANISM ASSY	
225	3C		E29-1881-02	CONDUCTIVE RUBBER	
△ DC1	1C		E30-4790-05	DC CORD	M3,E3,E4
△ DC1	1C		E30-4791-05	DC CORD	E,E2
△ F1	2D		F52-0006-05	FUSE(MINI BLADE TYPE)	
△ F1	2D		F52-0011-05	FUSE(MINI BLADE TYPE)	
228	2C		G01-2525-04	TORSION COIL SPRING	
229	2C		G01-3128-04	EXTENSION SPRING	
230	3D		G01-3129-04	COMPRESSION SPRING	
231	2C		G02-1425-04	FLAT SPRING	
232	2C		G02-1426-04	FLAT SPRING	
-			H10-4799-02	POLYSTYRENE FOAMED FIXTURE	
-			H25-0329-04	PROTECTION BAG (280X450X0.03)	
-			H25-0337-04	PROTECTION BAG (180X300X0.03)	
-		*	H54-2294-03	ITEM CARTON CASE	E

Ref.No.	A d d	N e w	Parts No.	Description	Dest inati on
-		*	H54-2295-03	ITEM CARTON CASE	E4
-		*	H54-2299-03	ITEM CARTON CASE	M3
-		*	H54-2301-03	ITEM CARTON CASE	E2
-		*	H54-2302-03	ITEM CARTON CASE	E3
234	3C		J19-5138-02	HOLDER	
235	1C		J21-9716-03	MOUNTING HARDWARE ASSY	
236	1C		J21-9809-04	MOUNTING HARDWARE ASSY	
237	2C		J21-9811-03	MOUNTING HARDWARE	
238	2C		J21-9812-03	MOUNTING HARDWARE	
241	3D		K24-3831-04	KNOB REL.	
242	2C		K24-3832-04	KNOB EJECT	
243	3C		K25-1409-03	KNOB 1-6	
244	3C		K25-1410-03	KNOB SRC	
245	3C		K25-1411-03	KNOB ATT	
246	3C		K25-1412-03	KNOB FM,AM	
247	3C		K25-1413-03	KNOB DISP	
248	3C		K25-1414-03	KNOB VOL.	
250	1C		N99-1656-05	SCREW SET	
251	1C		N99-1719-05	SCREW SET	M3
A	1D		N38-2630-46	PAN HEAD MACHIN SCREW	
B	3C		N80-2005-46	PAN HEAD TAPTITE SCREW	
C	2C		N80-2008-45	PAN HEAD TAPTITE SCREW	
D	1D		N83-3005-46	PAN HEAD TAPTITE SCREW	
E	2C		N84-2005-46	PAN HEAD TAPTITE SCREW	
F	2C		N84-2606-45	PAN HEAD TAPTITE SCREW	
G	1C		N84-2606-46	PAN HEAD TAPTITE SCREW	
L	2C		N19-2106-04	FLAT WASHER	
N	2C		N24-3020-46	E TYPE RETAINING RING(2φ)	
252	1C		T90-0523-05	ANTENNA ADAPTOR	
SYNTHESIZER UNIT (X14-68XX-XX)					
C1,2			CK73GB1H152K	CHIP C 1500PF K	
C3,4			CE04CW1A330M	ELECTRO 33UF 10WV	
C5,6			CK73GB1H103K	CHIP C 0.010UF K	
C7,8			CK73GB1C104K	CHIP C 0.10UF K	
C7,8			CK73GB1H104K	CHIP C 0.10UF K	
C9,10			CK73FB1C105K	CHIP C 1.0UF K	
C11,12			C90-2606-05	ELECTRO 0.47UF 50WV	
C13			CE04CW0J470M	ELECTRO 47UF 6.3WV	
C15			CK73GB1E333K	CHIP C 0.033UF K	
C15			CK73GB1H333K	CHIP C 0.033UF K	
C16			CK73GB1A474K	CHIP C 0.47UF K	
C17			CK73GB1H103K	CHIP C 0.010UF K	
C18			CC73GCH1H151J	CHIP C 150PF J	
C21-24			C90-5297-05	NP-ELECT 0.22UF 50WV	
C25-28			C90-2597-05	ELECTRO 10UF 16WV	
C29,30			CK73FB1H104K	CHIP C 0.10UF K	
C51			C90-5235-05	ELECTRO 2200UF 16WV	
C52			CK73GB1H103K	CHIP C 0.010UF K	
C53			CE04CW1E101M	ELECTRO 100UF 25WV	
C54			CK73GB1H103K	CHIP C 0.010UF K	
C55			C90-2594-05	ELECTRO 10UF 10WV	
C56			CE04CW0J101M	ELECTRO 100UF 6.3WV	
C58			CE04CW1C101M	ELECTRO 100UF 16WV	

M3: KRC-665R E: KRC-591V E2: KRC-591YV
 E3: KRC-591Y E4: KRC-591

△ indicates safety critical components.

KRC-665R/591/591V/591Y/591YV

PARTS LIST

* New Parts

Parts without Parts No. are not supplied.

Les articles non mentionnes dans le Parts No. ne sont pas fournis.

Teile ohne Parts No. werden nicht geliefert.

SYNTHESIZER UNIT (X14-68XX-XX)

Ref.No.	A d d	N e w	Parts No.	Description	Dest inati on
C59			CE04CW1A221M	ELECTRO 220UF 10WV	
C61-68			CK73GB1E473K	CHIP C 0.047UF K	
C61-68			CK73GB1H473K	CHIP C 0.047UF K	
C71			CK73GB1H103K	CHIP C 0.010UF K	
C74			C90-2598-05	ELECTRO 3.3UF 25WV	
C75			CK73GB1C683K	CHIP C 0.068UF K	
C75			CK73GB1H683K	CHIP C 0.068UF K	
C76			C90-2602-05	ELECTRO 0.10UF 50WV	
C77			CK73GB1H102K	CHIP C 1000PF K	
C78,79			CK73GB1H103K	CHIP C 0.010UF K	
C81			C90-2606-05	ELECTRO 0.47UF 50WV	
C82			CE04CW1C220M	ELECTRO 22UF 16WV	
C83			C90-2608-05	ELECTRO 1.0UF 50WV	
C84			CK73GB1C104K	CHIP C 0.10UF K	
C84			CK73GB1H104K	CHIP C 0.10UF K	
C85			CK73GB1H103K	CHIP C 0.010UF K	
C91			CE04CW1A101M	ELECTRO 100UF 10WV	
C92			CK73GB1H103K	CHIP C 0.010UF K	
C93			C90-2610-05	ELECTRO 2.2UF 50WV	
C94,95			CK73GB1C104K	CHIP C 0.10UF K	
C94,95			CK73GB1H104K	CHIP C 0.10UF K	
C111			CK73GB1H103K	CHIP C 0.010UF K	
C113			CK73GB1H103K	CHIP C 0.010UF K	
C121,122			CC73GCH1H270J	CHIP C 27PF J	
C123			CK73GB1H103K	CHIP C 0.010UF K	
C124			C90-2592-05	ELECTRO 10UF 6.3WV	
C125			C90-2610-05	ELECTRO 2.2UF 50WV	
C126			CC73GCH1H331J	CHIP C 330PF J	
C127			CC73GCH1H681J	CHIP C 680PF J	
C131			CK73GB1H103K	CHIP C 0.010UF K	
C141,142			CK73GB1C104K	CHIP C 0.10UF K	
C141,142			CK73GB1H104K	CHIP C 0.10UF K	
C143			CE04CW1C470M	ELECTRO 47UF 16WV	
C144			CK73GB1E333K	CHIP C 0.033UF K	
C144			CK73GB1H333K	CHIP C 0.033UF K	
C145			CK73GB1A474K	CHIP C 0.47UF K	
C146			C90-2594-05	ELECTRO 10UF 10WV	
C147			CK73GB1H472K	CHIP C 4700PF K	
C148			CK73GB1A474K	CHIP C 0.47UF K	
C149			CK73GB1H103K	CHIP C 0.010UF K	
C150			C90-2594-05	ELECTRO 10UF 10WV	
C151			CK73GB1C104K	CHIP C 0.10UF K	
C151			CK73GB1H104K	CHIP C 0.10UF K	
C152,153			CK73GB1A224K	CHIP C 0.22UF K	
C154			CE04CW1A330M	ELECTRO 33UF 10WV	
C161			CE04CW0J470M	ELECTRO 47UF 6.3WV	
C162			CK73GB1H103K	CHIP C 0.010UF K	
C163			CK73GB1A224K	CHIP C 0.22UF K	
C164			CK73GB0J105K	CHIP C 1.0UF K	
C165			CC73GCH1H220J	CHIP C 22PF J	
C166			CC73GCH1H330J	CHIP C 33PF J	
C168			CK73GB1H102K	CHIP C 1000PF K	
CN1			E40-9541-05	PIN ASSY	
CN2			E41-0167-05	PIN ASSY	

Ref.No.	A d d	N e w	Parts No.	Description	Dest inati on
CN5			E40-9184-05	PIN ASSY	
J1			E58-0863-15	RECTANGULAR RECEPTACLE	
J2			E63-0877-05	PIN JACK	
J3			E56-0834-05	CYLINDRICAL RECEPTACLE	
J4			E04-0312-05	RF COAXIAL CABLE RECEPTACLE	
P1			E23-0745-05	TERMINAL	
L1			L33-1170-05	CHOKE COIL ASSY	
L2			L40-4795-91	SMALL FIXED INDUCTOR(4.7UH,J)	
L3			L33-1123-05	LINE FILTER COIL	
L4			L40-4795-91	SMALL FIXED INDUCTOR(4.7UH,J)	
L7-9			L40-4795-91	SMALL FIXED INDUCTOR(4.7UH,J)	
L11			L40-4795-91	SMALL FIXED INDUCTOR(4.7UH,J)	
X1			L78-0863-05	RESONATOR(12MHZ)	
X2			L77-2738-05	CRYSTAL RESONATOR	
X3			L77-2002-05	CRYSTAL RESONATOR	
D	2D		N83-3005-46	PAN HEAD TAPTITE SCREW	
H	2D		N80-3008-46	PAN HEAD TAPTITE SCREW	
J	2D		N83-3014-46	PAN HEAD TAPTITE SCREW	
K	2D		N86-2606-46	BINDING HEAD TAPTITE SCREW	
R1,2			RK73GB2A153J	CHIP R 15K J 1/10W	
R3,4			RK73GB2A181J	CHIP R 180 J 1/10W	
R5,6			RK73GB2A222J	CHIP R 2.2K J 1/10W	
R11,12			RK73EB2E100J	CHIP R 10 J 1/4W	
R13			RK73EB2E4R7J	CHIP R 4.7 J 1/4W	
R15			RK73GB2A103J	CHIP R 10K J 1/10W	
R16			RK73GB2A472J	CHIP R 4.7K J 1/10W	
R21-24			RK73GB2A103J	CHIP R 10K J 1/10W	
R25-28			RK73GB2A361J	CHIP R 360 J 1/10W	
R29-32			RK73GB2A223J	CHIP R 22K J 1/10W	
R33-36			RK73FB2B181J	CHIP R 180 J 1/8W	
R51			RK73GB2A223J	CHIP R 22K J 1/10W	
R52			RK73GB2A101J	CHIP R 100 J 1/10W	
R53			RK73GB2A222J	CHIP R 2.2K J 1/10W	
R54			RK73GB2A223J	CHIP R 22K J 1/10W	
R55			RK73GB2A103J	CHIP R 10K J 1/10W	
R56,57			RK73GB2A102J	CHIP R 1.0K J 1/10W	
R58,59			RD14DB2H2R2J	SMALL-RD 2.2 J 1/2W	
R60			RD14DB2H102J	SMALL-RD 1.0K J 1/2W	
R61			RK73GB2A103J	CHIP R 10K J 1/10W	
R62,63			RK73GB2A471J	CHIP R 470 J 1/10W	
R64			RK73GB2A751J	CHIP R 750 J 1/10W	
R71			RK73EB2E103J	CHIP R 10K J 1/4W	
R72			RK73GB2A223J	CHIP R 22K J 1/10W	
R73			RK73GB2A473J	CHIP R 47K J 1/10W	
R77			RK73FB2B472J	CHIP R 4.7K J 1/8W	
R81			RK73FB2B472J	CHIP R 4.7K J 1/8W	
R82			RD14DB2H102J	SMALL-RD 1.0K J 1/2W	
R83			RK73FB2B223J	CHIP R 22K J 1/8W	
R84			RD14DB2H102J	SMALL-RD 1.0K J 1/2W	
R85			RK73GB2A243J	CHIP R 24K J 1/10W	
R86,87			RK73GB2A103J	CHIP R 10K J 1/10W	
R88			RK73GB2A223J	CHIP R 22K J 1/10W	
R89			RD14DB2H332J	SMALL-RD 3.3K J 1/2W	
R90,91			RK73FB2B104J	CHIP R 100K J 1/8W	

M3: KRC-665R

E: KRC-591V

E2: KRC-591YV

E3: KRC-591Y

E4: KRC-591

△ indicates safety critical components.

KRC-665R/591/591V/591Y/591YV

PARTS LIST

* New Parts

Parts without Parts No. are not supplied.

Les articles non mentionnes dans le Parts No. ne sont pas fournis.

Teile ohne Parts No. werden nicht geliefert.

SYNTHESIZER UNIT (X14-68XX-XX)

Ref.No.	A d d	N e w	Parts No.	Description	Dest inati on
R92			RK73GB2A333J	CHIP R 33K J 1/10W	
R93			RK73GB2A104J	CHIP R 100K J 1/10W	
R101			RK73GB2A101J	CHIP R 100 J 1/10W	
R102			RK73GB2A103J	CHIP R 10K J 1/10W	
R104			RK73GB2A182J	CHIP R 1.8K J 1/10W	
R105			RK73GB2A152J	CHIP R 1.5K J 1/10W	
R106			RK73GB2A473J	CHIP R 47K J 1/10W	
R107			RK73GB2A103J	CHIP R 10K J 1/10W	
R111			RK73GB2A472J	CHIP R 4.7K J 1/10W	
R113			RK73GB2A472J	CHIP R 4.7K J 1/10W	
R121			RK73FB2B102J	CHIP R 1.0K J 1/8W	
R122			RK73GB2A223J	CHIP R 22K J 1/10W	
R123			RK73FB2B102J	CHIP R 1.0K J 1/8W	
R124			RK73GB2A223J	CHIP R 22K J 1/10W	
R132			RK73GB2A472J	CHIP R 4.7K J 1/10W	
R134-137			RK73GB2A222J	CHIP R 2.2K J 1/10W	
R141			RK73EB2E101J	CHIP R 100 J 1/4W	
R142-146			RK73EB2E472J	CHIP R 4.7K J 1/4W	
R147,148			RK73EB2E101J	CHIP R 100 J 1/4W	
R162			RK73GB2A203J	CHIP R 20K J 1/10W	
R163			RK73GB2A224J	CHIP R 220K J 1/10W	
R164			RK73GB2A333J	CHIP R 33K J 1/10W	
R165			RK73GB2A272J	CHIP R 2.7K J 1/10W	
R166			RK73GB2A471J	CHIP R 470 J 1/10W	
R167			RK73GB2A104J	CHIP R 100K J 1/10W	
R168,169			RK73GB2A471J	CHIP R 470 J 1/10W	
R171			RK73GB2A223J	CHIP R 22K J 1/10W	
R182			RK73EB2E472J	CHIP R 4.7K J 1/4W	
R183			RK73EB2E102J	CHIP R 1.0K J 1/4W	
R184,185			RK73EB2E471J	CHIP R 470 J 1/4W	
R186			RK73EB2E102J	CHIP R 1.0K J 1/4W	
R187,188			RK73EB2E101J	CHIP R 100 J 1/4W	
R189,190			RK73EB2E102J	CHIP R 1.0K J 1/4W	
R191			RK73EB2E241J	CHIP R 240 J 1/4W	
R192			RK73GB2A473J	CHIP R 47K J 1/10W	
R193			RK73GB2A472J	CHIP R 4.7K J 1/10W	
R201			RK73GB2A104J	CHIP R 100K J 1/10W	M3,E2
R202			RK73GB2A104J	CHIP R 100K J 1/10W	E3
R203			RK73GB2A104J	CHIP R 100K J 1/10W	M3,E2
R204,205			RK73GB2A104J	CHIP R 100K J 1/10W	E3
R205			RK73GB2A104J	CHIP R 100K J 1/10W	E2
R206,207			RK73GB2A104J	CHIP R 100K J 1/10W	M3
R207			RK73GB2A104J	CHIP R 100K J 1/10W	E2,E3
R209			RK73GB2A104J	CHIP R 100K J 1/10W	
R211,212			RK73GB2A102J	CHIP R 1.0K J 1/10W	
R213			RK73GB2A474J	CHIP R 470K J 1/10W	
R214,215			RK73GB2A104J	CHIP R 100K J 1/10W	
R216			RK73GB2A471J	CHIP R 470 J 1/10W	
R217			RK73GB2A104J	CHIP R 100K J 1/10W	
R218,219			RK73GB2A102J	CHIP R 1.0K J 1/10W	
R220,221			RK73GB2A471J	CHIP R 470 J 1/10W	
R222			RK73GB2A472J	CHIP R 4.7K J 1/10W	
R223			RK73GB2A222J	CHIP R 2.2K J 1/10W	
R224			RK73GB2A104J	CHIP R 100K J 1/10W	
R225			RK73GB2A471J	CHIP R 470 J 1/10W	

Ref.No.	A d d	N e w	Parts No.	Description	Dest inati on
R226			RK73GB2A472J	CHIP R 4.7K J 1/10W	
R228			RK73GB2A471J	CHIP R 470 J 1/10W	
R229			RK73GB2A102J	CHIP R 1.0K J 1/10W	
R231			RK73GB2A102J	CHIP R 1.0K J 1/10W	
R233			RK73GB2A102J	CHIP R 1.0K J 1/10W	
R234,235			RK73GB2A472J	CHIP R 4.7K J 1/10W	
R236			RK73GB2A103J	CHIP R 10K J 1/10W	
R237			RK73GB2A472J	CHIP R 4.7K J 1/10W	
R238			RK73GB2A473J	CHIP R 47K J 1/10W	
R239-242			RK73GB2A102J	CHIP R 1.0K J 1/10W	
R243			RK73GB2A103J	CHIP R 10K J 1/10W	
R244			RK73GB2A102J	CHIP R 1.0K J 1/10W	
R245			RK73GB2A103J	CHIP R 10K J 1/10W	
R246			RK73GB2A473J	CHIP R 47K J 1/10W	
R247			RK73GB2A104J	CHIP R 100K J 1/10W	
R249			RK73GB2A222J	CHIP R 2.2K J 1/10W	
R250			RK73GB2A225J	CHIP R 2.2M J 1/10W	
R251,252			RK73GB2A104J	CHIP R 100K J 1/10W	
R253			RK73GB2A102J	CHIP R 1.0K J 1/10W	
R254			RK73GB2A473J	CHIP R 47K J 1/10W	
R255			RK73GB2A104J	CHIP R 100K J 1/10W	
R256			RK73GB2A471J	CHIP R 470 J 1/10W	
R258			RK73GB2A472J	CHIP R 4.7K J 1/10W	
R259,260			RK73GB2A222J	CHIP R 2.2K J 1/10W	
R261			RK73GB2A102J	CHIP R 1.0K J 1/10W	
R262			RK73GB2A104J	CHIP R 100K J 1/10W	
VR1,2			R32-0037-05	SEMI FIXED VARIABLE RESISTOR	
W1			R92-1252-05	CHIP R 0 OHM J 1/16W	
S1			S74-0811-05	MICRO SWITCH	
D1			1N5393G-M5	DIODE	
D2			AM01Z	DIODE	
D3			MA4056(N)-M	ZENER DIODE	
D4			MA4091(N)-L	ZENER DIODE	
D5			1SR154-400	DIODE	
D6			MA4110-L	ZENER DIODE	
D11			MA3047-M	ZENER DIODE	
D13-15			1SR154-400	DIODE	
D16			DAN202U	DIODE	
D17			MA4068(N)-M	ZENER DIODE	
D18			MA8068-M	ZENER DIODE	
D21,22			AM01Z	DIODE	
D23,24			S1J	DIODE	
D25-28			AM01Z	DIODE	
D31			1SS133	DIODE	
D32			DAN202U	DIODE	
D33			DAP202U	DIODE	
D34			1SS133	DIODE	
D41			IMSA-6801	SURGE ABSORBER	
D51			MA3062-M	ZENER DIODE	
D52			MA3062WA	ZENER DIODE	
D53			RD6.8MW	ZENER DIODE	
D54			MA3062-M	ZENER DIODE	
D62-70			DA204K	DIODE	
D62-70			KDS226	DIODE	

M3: KRC-665R
E3: KRC-591Y

E: KRC-591V
E4: KRC-591

E2: KRC-591YV

⚠ indicates safety critical components.

KRC-665R/591/591V/591Y/591YV

PARTS LIST

* New Parts

Parts without Parts No. are not supplied.

Les articles non mentionnes dans le Parts No. ne sont pas fournis.

Teile ohne Parts No. werden nicht geliefert.

SYNTHESIZER UNIT (X14-68XX-XX)

SWITCH UNIT (X16-16XX-XX)

DAUGHTER UNIT (X89-25XX-XX)

Ref.No.	A d d	N e w	Parts No.	Description	Dest inati on
D71			MA3062-M	ZENER DIODE	
D82			1SS133	DIODE	
IC1			UPD784225GC159	MI-COM IC	
IC2			TDA7407D	ANALOGUE IC	
IC3			HD74HC02FP	MOS-IC	
IC3			TC74HC02AF	MOS-IC	
IC4			TA8263BH	ANALOGUE IC	
IC7			SAA6581T	ANALOGUE IC	
IC8			S-80830ANNP	MOS-IC	
IC9			CXA2560Q	ANALOGUE IC	
IC10			LB1930M	ANALOGUE IC	
Q1-4			DTC143TUA	DIGITAL TRANSISTOR	
Q1-4			UN5216	DIGITAL TRANSISTOR	
Q11			2SC4081	TRANSISTOR	
Q12			KTA1046	TRANSISTOR	
Q13			2SA1576A	TRANSISTOR	
Q14			DTC144EUA	DIGITAL TRANSISTOR	
Q14			UN5213	DIGITAL TRANSISTOR	
Q15			DTA124EUA	DIGITAL TRANSISTOR	
Q15			UN5112	DIGITAL TRANSISTOR	
Q16			2SC4081	TRANSISTOR	
Q17			KTA1046	TRANSISTOR	
Q18			DTC114EUA	DIGITAL TRANSISTOR	
Q18			UN5211	DIGITAL TRANSISTOR	
Q19			2SB1443	TRANSISTOR	
Q20			DTC124EUA	DIGITAL TRANSISTOR	
Q20			UN5212	DIGITAL TRANSISTOR	
Q21			DTA124EUA	DIGITAL TRANSISTOR	
Q21			UN5112	DIGITAL TRANSISTOR	
Q23			2SD1760	TRANSISTOR	
Q34			2SB1277(Q,R)	TRANSISTOR	
Q34			2SB1434	TRANSISTOR	
Q35			2SA1576A	TRANSISTOR	
Q36			DTA124EUA	DIGITAL TRANSISTOR	
Q36			UN5112	DIGITAL TRANSISTOR	
Q37			DTC114YUA	DIGITAL TRANSISTOR	
Q37			UN5214	DIGITAL TRANSISTOR	
Q38,39			2SC4081	TRANSISTOR	
Q42			DTA124EUA	DIGITAL TRANSISTOR	
Q42			UN5112	DIGITAL TRANSISTOR	
Q43			DTC124EUA	DIGITAL TRANSISTOR	
Q43			UN5212	DIGITAL TRANSISTOR	
Q44			DTC143TUA	DIGITAL TRANSISTOR	
Q44			UN5216	DIGITAL TRANSISTOR	
Q51			DTC124EUA	DIGITAL TRANSISTOR	
Q51			UN5212	DIGITAL TRANSISTOR	
Q52			2SB1277(Q,R)	TRANSISTOR	
Q52			2SB1434	TRANSISTOR	
Q53			DTC124EUA	DIGITAL TRANSISTOR	
Q53			UN5212	DIGITAL TRANSISTOR	
Q54			2SB1277(Q,R)	TRANSISTOR	
Q54			2SB1434	TRANSISTOR	
Q55			DTC143TUA	DIGITAL TRANSISTOR	
Q55			UN5216	DIGITAL TRANSISTOR	
Q61			2SA1576A	TRANSISTOR	

Ref.No.	A d d	N e w	Parts No.	Description	Dest inati on
Q71			DTC124EUA	DIGITAL TRANSISTOR	
Q71			UN5212	DIGITAL TRANSISTOR	
Q72			2SD1760	TRANSISTOR	
Q82			DTA114YUA	DIGITAL TRANSISTOR	
Q82			UN5114	DIGITAL TRANSISTOR	
TH1			PTH9C42BD471Q	POSITIVE RESISTOR	
A1			X86-3242-70	TUNER UNIT	M3,E2,E3
A1			X86-3342-71	TUNER UNIT	E,E4
SWITCH UNIT (X16-16XX-XX)					
301	3C		B11-1366-04	REFLECTION SHEET	M3,E3,E4
301	3C	*	B11-1377-04	REFLECTION SHEET	E,E2
302	3C		B11-1367-04	OPTICAL DIFFUSER	M3,E3,E4
302	3C	*	B11-1373-04	OPTICAL DIFFUSER	E,E2
303	3C		B19-2135-03	LIGHTING BOARD	
-		*	B11-1369-04	COLOR FILTER	E,E2
D1-13			B30-1605-05	LED(2COLOR PG/RED)	
D18,19			B30-1564-05	LED(1608,BLUE)	
D20-22			B30-1571-05	LED(WHITE)	E,E2
D20,21			B30-1571-05	LED(WHITE)	M3,E3,E4
ED1			B38-1091-05	LIQUID CRYSTAL	M3,E3,E4
ED1			B38-1092-05	LIQUID CRYSTAL	E,E2
C1			CK73GB1H102K	CHIP C 1000PF K	
C2,3			CK73GB1E473K	CHIP C 0.047UF K	
C4			CK73GB1H103K	CHIP C 0.010UF K	
C5			CK73FB1A225K	CHIP C 2.2UF K	
C11-14			CK73GB1H103K	CHIP C 0.010UF K	M3,E3,E4
C11-15			CK73GB1H103K	CHIP C 0.010UF K	E,E2
304	3C		E29-1882-04	CONDUCTIVE RUBBER	
J1			E59-0829-05	RECTANGULAR PLUG	
CP3			R90-1016-05	MULTI-COMP 470 X4	
R1,2			RK73GB2A102J	CHIP R 1.0K J 1/10W	
R8			RK73GB2A563J	CHIP R 56K J 1/10W	
R9			RK73GB2A392J	CHIP R 3.9K J 1/10W	
R12			RK73GB2A473J	CHIP R 47K J 1/10W	
R13-15			RK73FB2B331J	CHIP R 330 J 1/8W	
R16			RK73FB2B511J	CHIP R 510 J 1/8W	
R17,18			RK73FB2B361J	CHIP R 360 J 1/8W	
R20			RK73FB2B271J	CHIP R 270 J 1/8W	
R23,24			RK73GB2A122J	CHIP R 1.2K J 1/10W	E,E2
R25,26			RK73GB2A103J	CHIP R 10K J 1/10W	
R27			RK73GB2A447J	CHIP R 4.7 J 1/10W	
R28			RK73GB2A101J	CHIP R 100 J 1/10W	
IC1			LC75883E	MOS-IC	
IC2			RS-171	ANALOGUE IC	
Q1,2			DTA114EUA	DIGITAL TRANSISTOR	
Q1,2			KRA302	DIGITAL TRANSISTOR	
Q3,4			2SD2114K	TRANSISTOR	
DAUGHTER UNIT (X89-25XX-XX)					
CN1			E41-0169-05	SOCKET FOR PIN ASSY	
J1			E58-0865-05	RECTANGULAR RECEPTACLE	
S1			S70-0877-05	TACT SWITCH	

M3: KRC-665R

E: KRC-591V

E2: KRC-591YV

E3: KRC-591Y

E4: KRC-591

⚠ indicates safety critical components.

KRC-665R/591/591V/591Y/591YV

PARTS LIST

* New Parts

Parts without Parts No. are not supplied.

Les articles non mentionnes dans le Parts No. ne sont pas fournis.

Teile ohne Parts No. werden nicht geliefert.

Ref.No.	A d d	N e w	Parts No.	Description	Dest inati on
CASSETTE MECHANISM ASSY (D40-1150-05)					
1	2A		A10-4329-08	CHASSIS ASSY	
2	1A		J21-7779-08	MOUNTING HARDWARE	
3	2B		A11-0931-08	SUB CHASSIS ASSY	
4	1A		D10-4106-08	ARM	
5	2A		D10-4107-08	ARM	
6	2A		D10-4108-08	ARM	
7	2B		D10-4109-08	ARM	
8	2A		D10-4110-08	ARM ASSY	
9	2A		D10-4111-08	ARM ASSY	
10	3A		D10-4112-08	ARM	
13	2A		D10-4113-08	ARM	
14	1B		D13-1324-08	GEAR ASSY	
15	3A		D01-0614-08	FLYWHEEL ASSY	
16	2A		D13-1325-08	GEAR ASSY	
17	2A		D10-4114-08	ARM ASSY	
18	3A		D01-0615-08	FLYWHEEL ASSY	
19	3A		D13-1326-08	GEAR ASSY	
22	2B		D10-4115-08	SLIDER	
23	3B		D10-4116-18	SLIDER	
24	1B		J21-7780-08	MOUNTING HARDWARE	
25	1B		D10-4117-18	ARM	
26	1B		D10-4118-08	SLIDER	
27	1A		A52-0716-08	HOLDER	
32	1B		J90-0767-08	GUID	
33	1B		J19-4737-08	BRACKET	
34	1B		D12-0622-08	CAM	
35	2B		D13-1327-08	GEAR	
36	2B		D13-1328-08	GEAR	
37	3A		D13-1329-08	GEAR	
38	3A		D10-4119-08	ARM	
39	1B		D13-1330-08	GEAR	
40	2A		D13-1331-08	GEAR	
41	2A		D13-1332-08	GEAR	
42	2B		J11-0619-08	CLAMPER	
43	1B		D13-1333-08	GEAR	
44	1B		D13-1334-08	GEAR	
45	2A		D13-1335-08	GEAR	
46	2B		D10-4120-08	ARM	
47	2B		J19-4738-08	HOLDER	
48	2B		J11-0620-08	CLAMPER	
52	2A		D03-0312-08	REEL DISK	
53	3A		D15-0913-08	PULLEY	
55	1A		D10-4121-08	SLIDER	
57	1B		D13-1337-08	GEAR	
59	2B		J31-1036-08	COLLAR	
62	3B		D14-0683-08	ROLLER	
63	1A		D14-0684-08	ROLLER	
67	2A		G01-2832-08	TORSION COIL SPRING	
68	2A		G01-2833-08	TORSION COIL SPRING	
69	2B		G01-2834-08	TENSION COIL SPRING	
70	1B		G01-2835-08	TORSION COIL SPRING	
71	1B		G01-2836-08	TORSION COIL SPRING	
73	1A		G09-2020-08	SPRING	

Ref.No.	A d d	N e w	Parts No.	Description	Dest inati on
74	2A		G01-2837-08	COMPRESSION COIL SPRING	
75	1B		G01-2838-08	TORSION COIL SPRING	
76	1A		G01-2839-08	TORSION COIL SPRING	
77	2A		G01-2843-08	TORSION COIL SPRING	
79	1A		G01-2840-08	TENSION COIL SPRING	
80	3A		G01-2841-08	TENSION COIL SPRING	
83	3A		D16-0609-08	BELT	
94	3A		S64-0807-08	LEVER SWITCH	
95	3A		S64-0808-08	LEVER SWITCH	
100	2B		E30-4460-08	CONNECTOR ASSY (10P)	
102	2B		T95-0213-08	PHOTO COUPLER	
103	2B		S62-0858-08	SLIDE SWITCH	
105	2B		S74-0813-08	LEAF SWITCH	
107	3A		E30-4468-08	CONNECTOR ASSY (7P)	
A	1B		N09-4193-08	SCREW	
B	1B		N09-4194-08	SCREW	
C	3A		N09-4195-08	SCREW	
D	1B		N09-4196-08	SCREW	
E	2A		N09-4197-08	SCREW	
F	1B		N09-4198-08	SCREW	
G	1A		N09-4199-08	SCREW	
H	2B		N09-4200-08	SCREW	
L	3A		N19-2087-08	FLAT WASHER	
M	1B		N19-2088-08	FLAT WASHER	
N	1B		N19-2135-08	FLAT WASHER	
P	3A		N19-2146-08	FLAT WASHER	
Q	2A		N19-2091-08	FLAT WASHER	
R	1A		N19-2092-08	FLAT WASHER	
S	2B		N29-0510-08	RETAINING RING	
HD1	1B		T31-0220-08	PLAYBACK HEAD	
M1	1A		T42-0759-18	MOTOR ASSY (MAIN)	
M2	1B		T42-1005-08	MOTOR ASSY (SUB)	

M3: KRC-665R
E3: KRC-591Y

E: KRC-591V
E4: KRC-591

E2: KRC-591YV

△ indicates safety critical components.

KRC-665R/591/591V/591Y/591YV

SPECIFICATIONS

● KRC-665R

FM Section

Frequency Range	87.5MHz-108.0MHz
(Frequency Step)	(50kHz)
Channel Space Selection	50kHz
Usable Sensitivity (S/N:26dB)	0.7 μ V/75 Ω
Quieting Sensitivity (S/N:46dB)	1.6 μ V/75 Ω
Frequency Response (\pm 3.0dB)	30Hz-15kHz
S/N	65dB (MONO)
Selectivity	\geq 80dB (\pm 400kHz)
Stereo Separation	35dB (1kHz)

MW (AM) Section

Frequency Range	531kHz-1611kHz
(Frequency Step)	(9kHz)
Usable Sensitivity (S/N:20dB)	28dB μ (25 μ V)

LW Section

Frequency Range	153kHz-281kHz
Usable Sensitivity(S/N:20dB)	45 μ V

CASSETTE Section

Tape Speed	4.76cm/sec.
Wow/Flutter (WRMS)	0.08%
Frequency Response (\pm 3.0dB)	30-18kHz (70 μ s)
Separation	43dB (1kHz)
S/N (dB)	
Dolby NR OFF	57dB
Dolby BNR ON	65dB

AMPLIFIER Section

Preout Level/Load	1800mV/10k Ω
Preout Impedance	\leq 600 Ω
Maximum Power	47W \times 4
Power DIN45324, +B=14.4V	22W \times 4

tone Section

Bass	100Hz \pm 10dB
Middle	1kHz \pm 10dB
Treble	10kHz \pm 10dB

General

Operating Voltage	14.4V
(11V-16V allowable)	
Current Consumption	10A
Installation Size (W)	182mm
(H)	53mm
(D)	150mm
Weight	1.20kg

● KRC-591/591V/591Y/591YV

FM Section

Frequency Range	87.5MHz-108.0MHz
(Frequency Step)	(50kHz)
Usable Sensitivity (S/N:26dB)	0.7 μ V/75 Ω
Quieting Sensitivity (S/N:46dB)	1.6 μ V/75 Ω
Frequency Response (\pm 3.0dB)	30Hz-15kHz
S/N	65dB (MONO)
Selectivity	\geq 80dB (\pm 400kHz)
Stereo Separation	35dB (1kHz)

MW (AM) Section

Frequency Range	531kHz-1611kHz
(Frequency Step)	(9kHz)
Usable Sensitivity (S/N:20dB)	25 μ V

LW Section

Frequency Range	153kHz-281kHz
Usable Sensitivity(S/N:20dB)	45 μ V

CASSETTE Section

Tape Speed	4.76cm/sec.
Wow/Flutter (WRMS)	0.08%
Frequency Response (\pm 3.0dB)	30-18kHz (70 μ s)
Separation	43dB (1kHz)
S/N (dB)	
Dolby NR OFF	57dB
Dolby BNR ON	65dB

AMPLIFIER Section

Preout Level/Load	1800mV/10k Ω
Preout Impedance	\leq 600 Ω
Maximum Power	47W \times 4
Power DIN45324, +B=14.4V	29W \times 4

tone Section

Bass	100Hz \pm 10dB
Middle	1kHz \pm 10dB
Treble	10kHz \pm 10dB

General

Operating Voltage	14.4V
(11V-16V allowable)	
Current Consumption	10A
Installation Size (W)	182mm
(H)	53mm
(D)	150mm
Weight	1.20kg

KENWOOD follows a policy of continuous advancements in development. For this reason specifications may be changed without notice.

US and foreign patents licensed from Dolby Laboratories Licensing Corporation.