



**FACSIMILE EQUIPMENT
PARTS REFERENCE LIST**

**MODEL: FAX-T72 / T74 / T7 Plus /
T76 / T82 / T84 / T86**

**(For Germany / United Kingdom / France /
Norway / Belgium / Netherlands /
Switzerland / Ireland / Finland / Denmark /
Austria / Spain / Italy / South Africa /
Sweden / Portugal / Poland /
Czecho / Hungary / Euro Generic)**

© Copyright Brother 2000

All rights reserved

No part of this publication may be reproduced in any form or by any means without permission in writing from the publisher.

Specifications are subject to change without prior notice.

NOTES FOR USING THIS PARTS REFERENCE LIST

1. In the case of ordering parts, it needs mentioning the following items:

- (1) Code
- (2) Q' ty
- (3) Description

Note: No orders without Parts Code or Tool No. can be accepted.

[Example]

	(1)	(2)	(3)	
REF.NO.	CODE	Q' TY	DESCRIPTION	REMARKS

2. Design-changed parts:

When the parts are changed, any one of the following symbols is mentioned in the REMARKS column.

CNG(cng) : The part is changed to a new part.

ADD(add) : The part is newly added.

DEL(del) : The part is deleted.

Symbol in capital letters indicates that the change is the latest one in the page.

3. Parts change will be informed by the technical information.

COUNTRIES

GERMANY ----- GER

UNITED KINGDOM ----- UK

FRANCE ----- FRA

NORWAY ----- NOR

BELGIUM ----- BEL

NETHERLANDS ---- NLD

SWITZERLAND ---- CHE

IRELAND ---- IRE

FINLAND ---- FIN

DENMARK ---- DEN

AUSTRIA ---- AUS

SPAIN ---- SPA

ITALY ---- ITA

SOUTH AFRICA ---- ZAF

SWEDEN ---- SWE

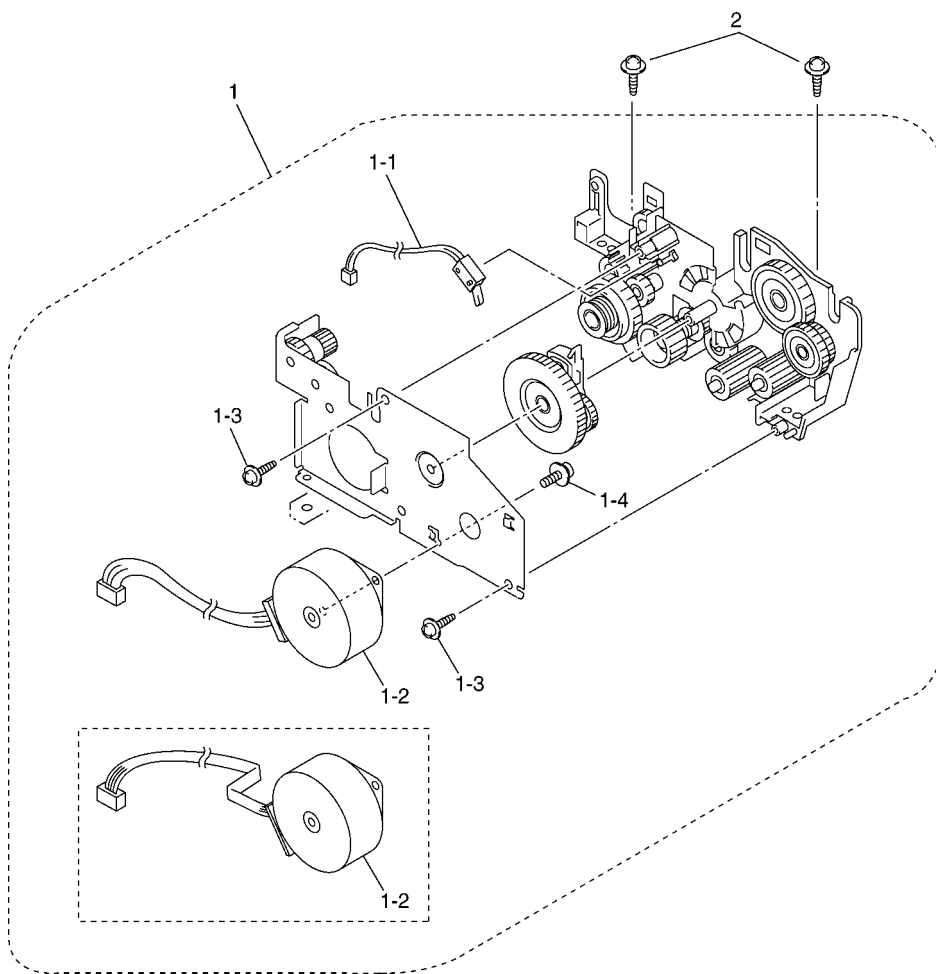
PORTUGAL ----POR

POLAND ----POL

CZECHO ----CZE

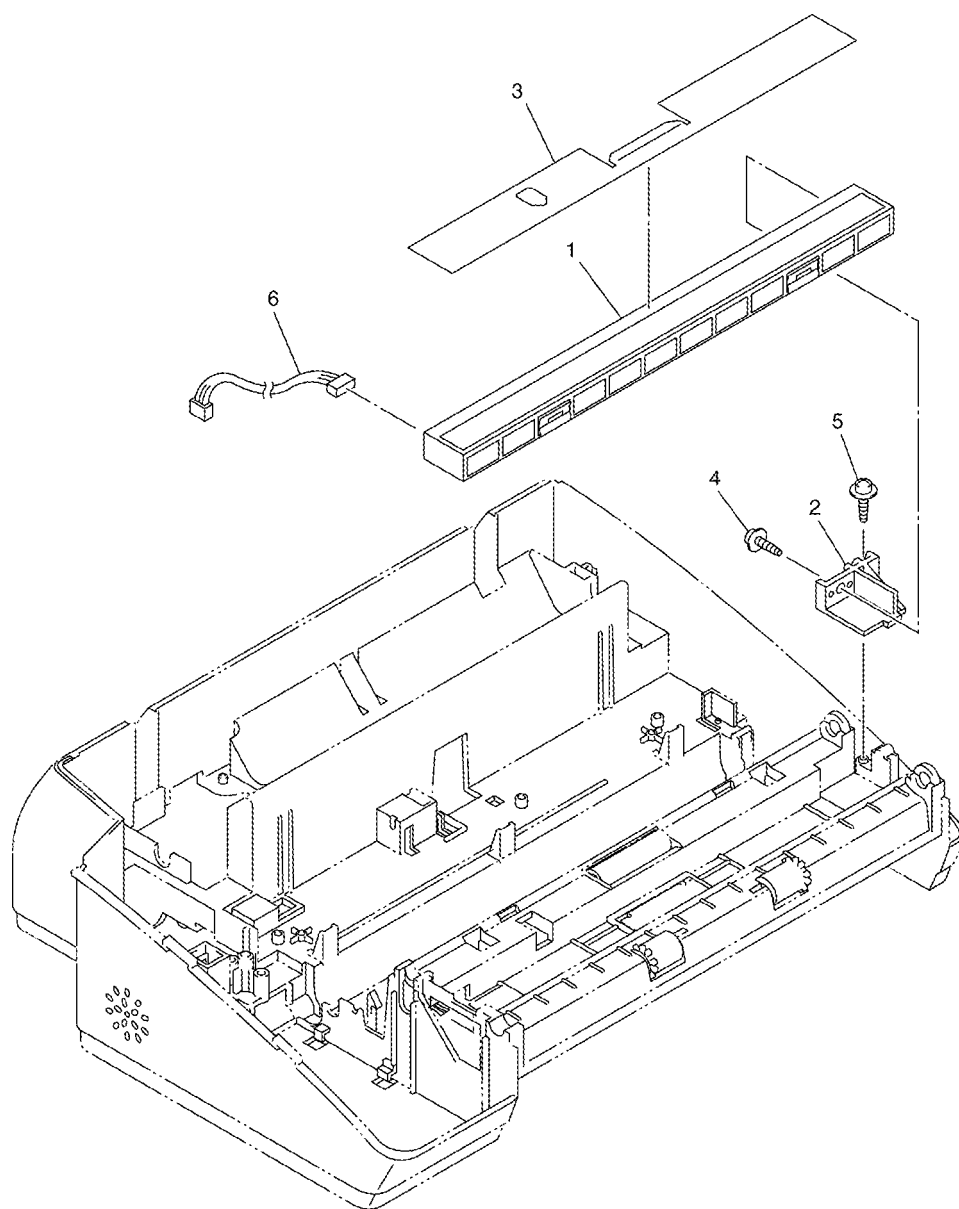
HUNGARY ----HUN

EURO GENERIC ---- GNR



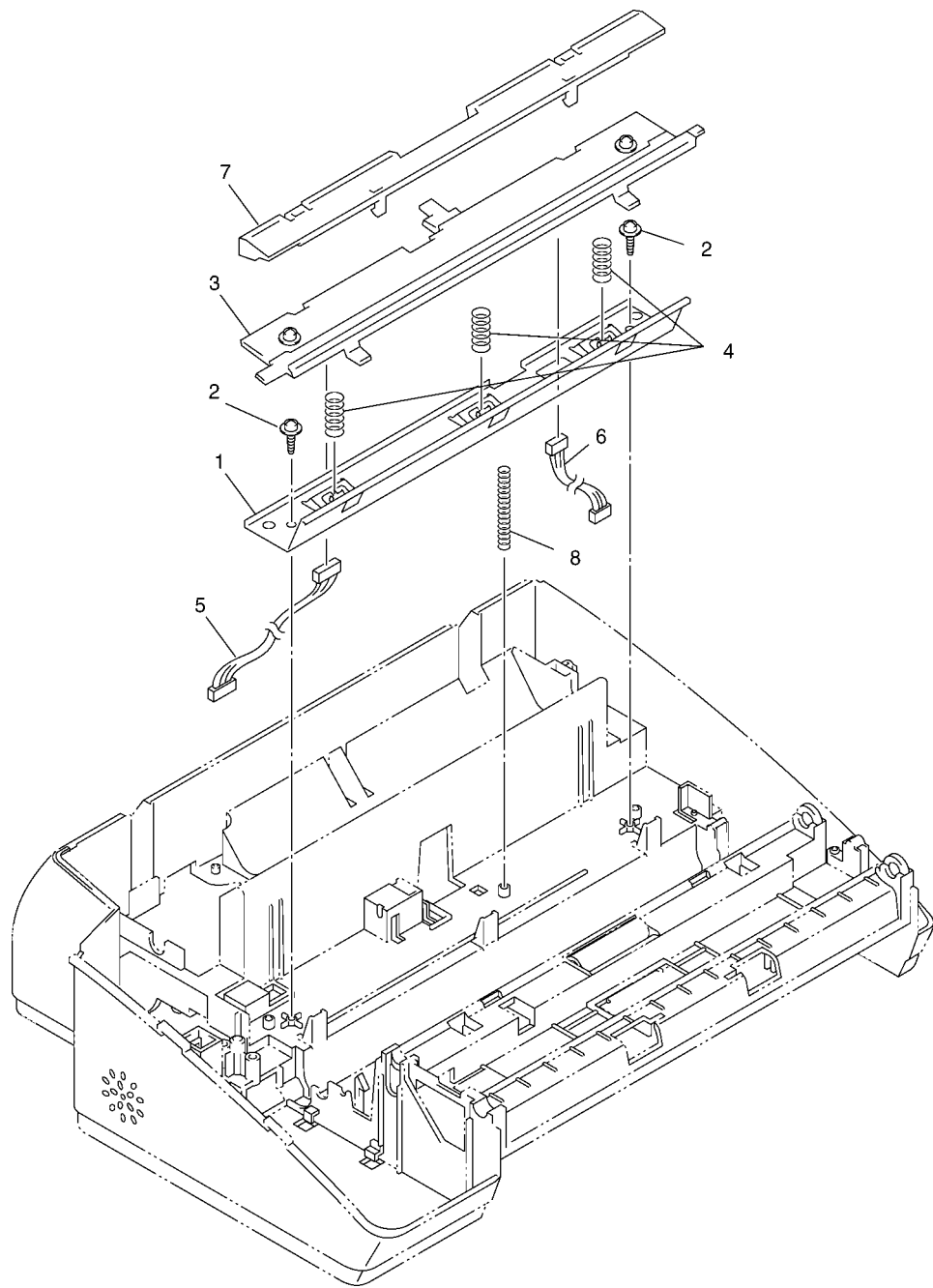
LIST1 (DRIVING)

REF No.	CODE	Q'TY	DESCRIPTION	REMARKS	ORDER TO BIUK
*1	LE4001001	1	DRIVE UNIT [FOR THE EARLY LOT]		
*1	LF1412001	1	DRIVE UNIT	CHG	
1-1	LG2581001	1	ARM HP SWITCH ASSY		
1-2	LE4028001	1	MOTOR WITH HARNESS		
1-3	087310815	2	TAPTITE, CUP B M3X8		√
1-4	U09759001	1	SCREW, PAN (S/P WASHER) M3X6		√
(1-5)	LE5629001	1	PLANETARY GEAR SUPPLY ASSY		
2	087311016	2	TAPTITE, CUP B M3X10		



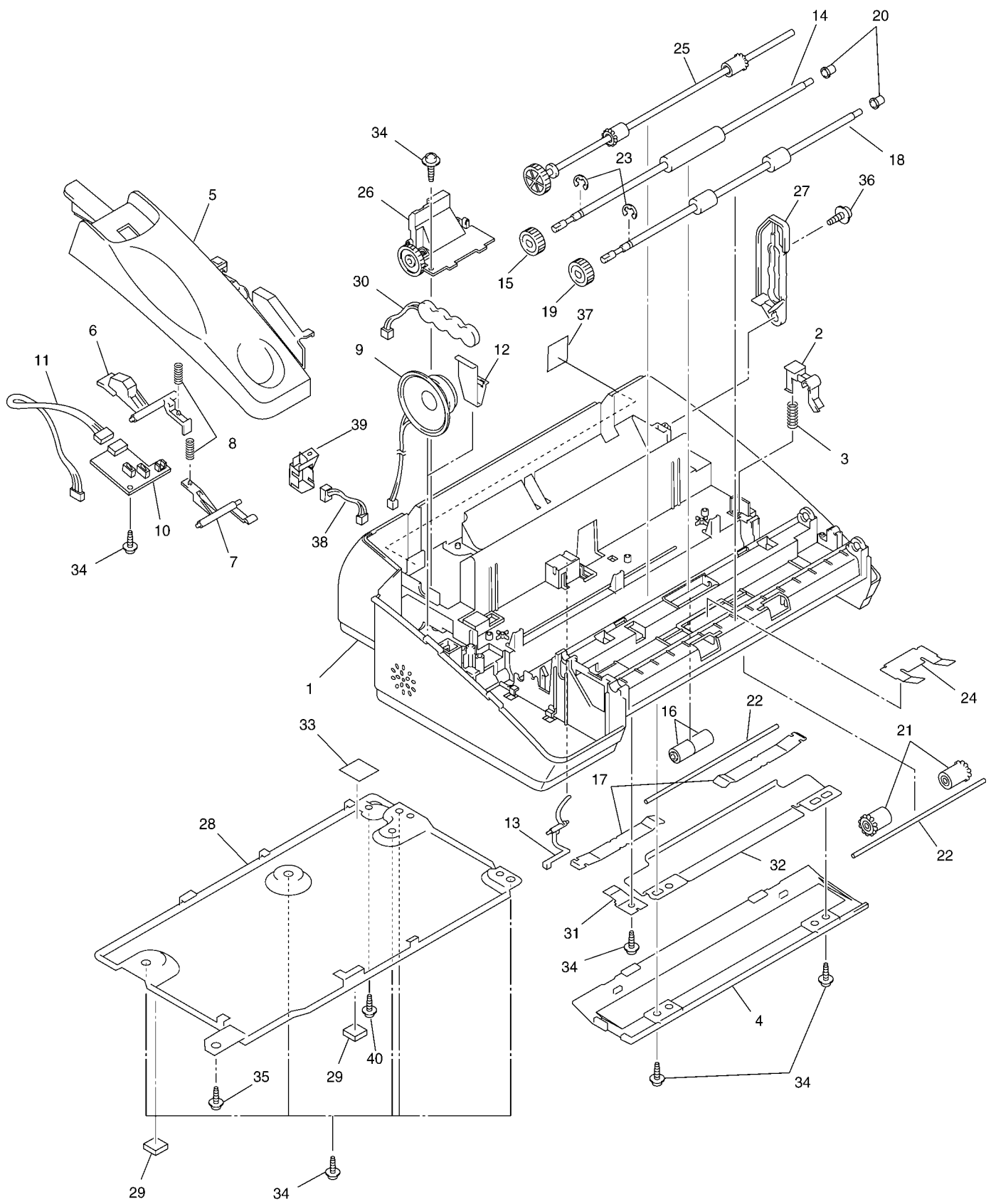
LIST2 (SCANNING)

REF No.	CODE	Q'TY	DESCRIPTION	REMARKS	ORDER TO BIUK
1	LG3076001	1	CIS UNIT, FAX-T72/T7Plus/T76/T86		
1	LG3595001	1	CIS UNIT, FAX-T74/T84		√
2	LE4029001	1	CIS HOLDER		
3	LE4030001	1	CIS FILM(BLACK)		
4	085310815	1	TAPTITE, BIND B M3X8		
5	087310815	1	TAPTITE, CUP B M3X8		√
6	LG2557001	1	CIS-MAIN HARNESS		



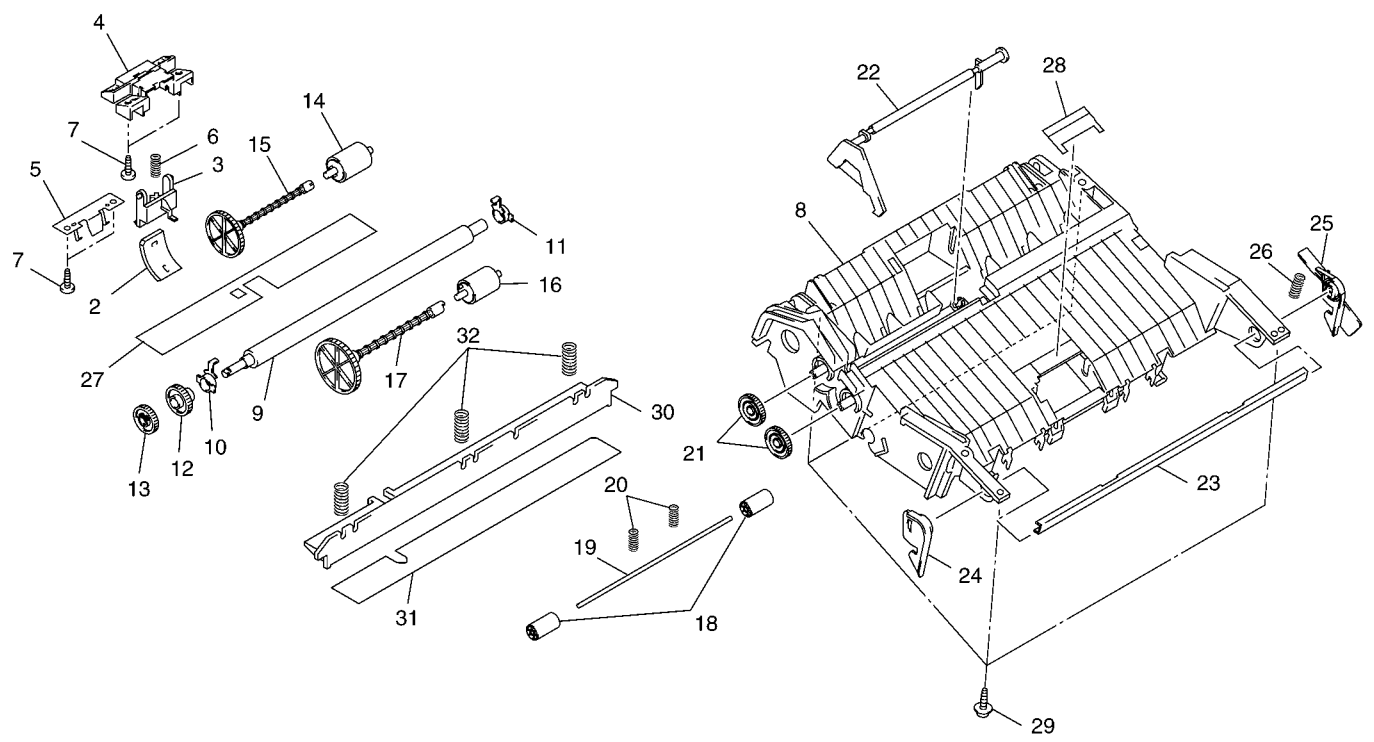
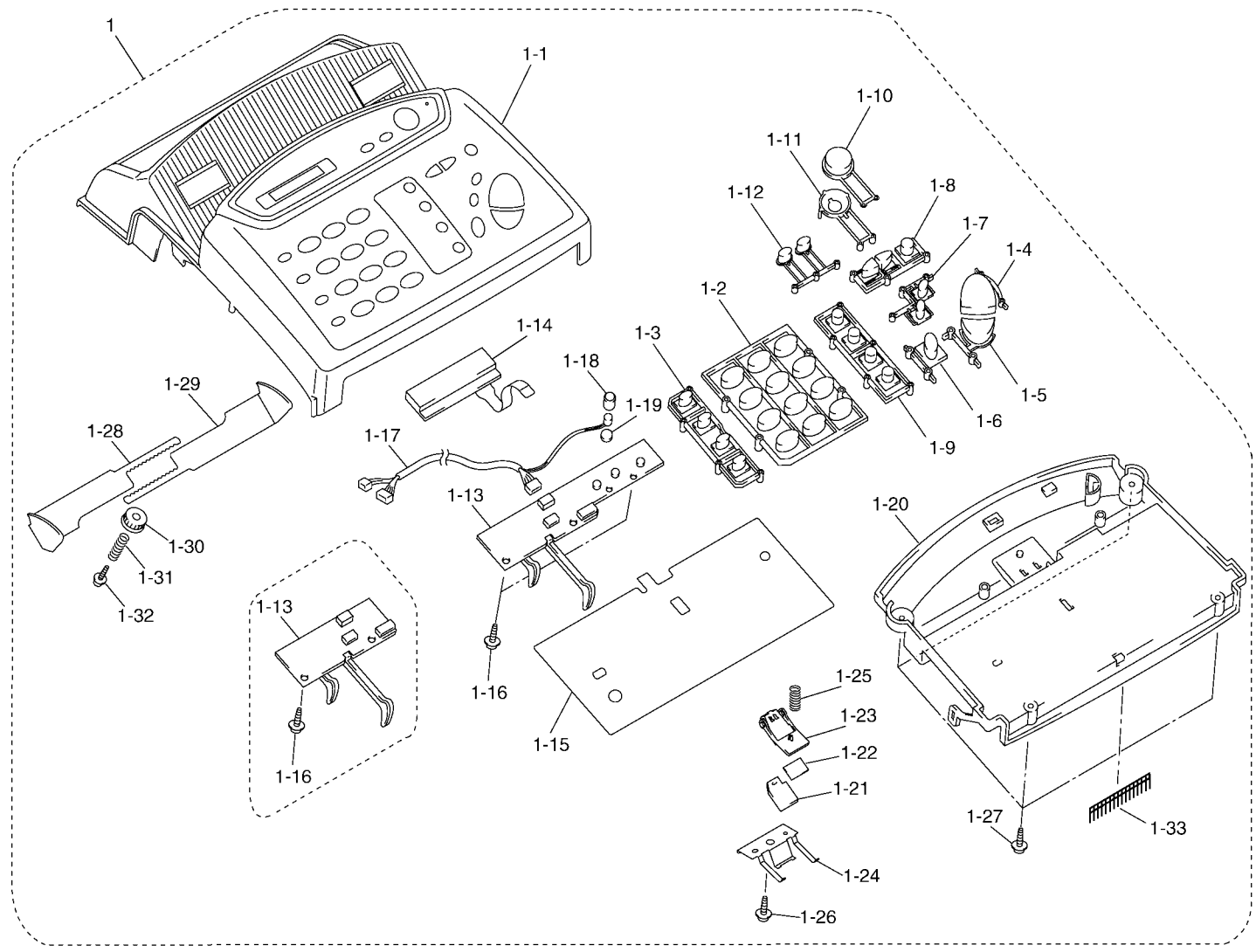
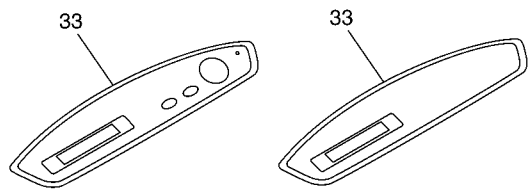
LIST3 (RECORDING)

REF No.	CODE	Q'TY	DESCRIPTION	REMARKS	ORDER TO BIUK
1	LE4031001	1	RECORDER FRAME		
2	087310815	2	TAPTITE, CUP B M3X8		√
3	LE5406001	1	RECORDING HEAD ASSY		
4	UF8072001	3	HEAD SPRING		√
5	LG2779001	1	MAIN-HEAD HARNESS, FAX-T72/T74/T7Plus/T82/T84		√
5	LG2558001	1	MAIN-HEAD HARNESS, FAX-T76/T86		
6	LG2559001	1	HEAD-POWER HARNESS		
7	UF9856001	1	HEAD PROTECTOR		
8	LE4034001	1	GROUNDING SPRING		



LIST4 (COVER)

REF No.	CODE	Q'TY	DESCRIPTION	REMARKS	ORDER TO BIUK
1	LE5404002	1	MAIN FRAME GREY(1293), FAX-T72		√
1	LE5405002	1	MAIN FRAME GREY(1293), FAX-T74(GRAY)/T7Plus/T76		√
1	LE5404003	1	MAIN FRAME GREY(1267), FAX-T82		
1	LE5405003	1	MAIN FRAME GREY(1267), FAX-T74(WHITE)/T84/T86		
4	LE5916002	4	MAIN FRAME GREY(1293), FAX-T76		√
2	LE4036001	1	RIBBON SHAFT STOPPER		
3	LE4037001	1	RIBBON STOPPER SPRING		
4	LE4038002	1	LOWER COVER, FAX-T72/T74(GRAY)/T7Plus/T76		√
4	LE4038003	1	LOWER COVER, FAX-T74(WHITE)T82/T84/T86		
5	LE4326002	1	DUMMY MOUNT, FAX-T72		√
5	LE4039003	1	HANDSET MOUNT, FAX-T74(GRAY)/T7Plus/T76		√
5	LE4326003	1	DUMMY MOUNT, FAX-T82		
5	LE4039004	1	HANDSET MOUNT, FAX-T74(WHITE)T84/T86		√
6	LE4040002	1	HOOK SWITCH ACTUATOR, FAX-T74(GRAY)/T7Plus/T76		√
6	LE4040001	1	HOOK SWITCH ACTUATOR, FAX-T74(WHITE)T84/T86		
7	LE4041001	1	COVER SENSOR ACTUATOR(BLACK)		
8	LE4042001	1	ACTUATOR SPRING, FAX-T72/T82		
8	LE4042001	2	ACTUATOR SPRING, FAX-T74/T76/T7Plus/T84/T86		
9	LG2630001	1	SPEAKER		
10	LG2576001	1	SENSOR PCB ASSY	B53K462-101*	
11	LG2778001	1	SENSOR-MAIN HARNESS, FAX-T72/T74/T7Plus/T82/T84		√
11	LG2560001	1	SENSOR-MAIN HARNESS, FAX-T76/T86		
12	UF9847001	1	SPEAKER SUPPORT SPRING		
13	LE4043001	1	RIBBON SENSOR ACTUATOR		
14	LE4044001	1	DOCUMENT LF ROLLER		
15	LE4047001	1	GEAR, 23		
16	LE4501001	2	DOCUMENT PINCH ROLLER		
17	LE4048001	2	PINCH ROLLER SPRING		
18	LE4049001	1	DOCUMENT EJECTION ROLLER ASSY		
19	LE4047001	1	GEAR, 23		
20	UF9949001	2	ROLLER BUSHINGS		
21	UL6244002	2	DOCUMENT PRESSURE ROLLER		
22	UF6267000	2	PRESSURE ROLLER SHAFT		
23	048050346	2	RETAINING RING		
24	LE4051001	1	DOCUMENT PRESSURE ROLLER SPRING		
25	LE4052001	1	PAPER EJECTION ROLLER		
26	LE4054001	1	ROM COVER		
27	LE4061001	1	COVER STOPPER LINK		
28	LE4062001	1	BOTTOM PLATE		
29	UF6761001	2	RUBBER FOOT		√
30	LG2861001	1	BATTERY ASSY, FAX-T76		
31	LE4204001	1	CIS SPRING		
32	LE4205001	1	SUPPORT PLATE		
33	LE4214001	1	INSULATION FILM		
34	087310815	10	TAPTITE, CUP B M3X8		√
35	U24014002	1	TAPTITE, CUP S M3.0X6		
36	LE4199001	1	TAPTITE, PAN B M4X6D10		
37	LE0542002	4	PCIF FILM, FAX-T76		
38	----		NOT USED		
39	----		NOT USED		
40	UF4444001	1	SCREW, PAN(P WASHER) M4X6		√
(41)	UF5745000	1	MJ COVER		
			FOR GER/UK/FRA/BEL/NLD/FIN/AUS/ITA/SWE	CHG	



LIST5 (CONTROL PANEL)

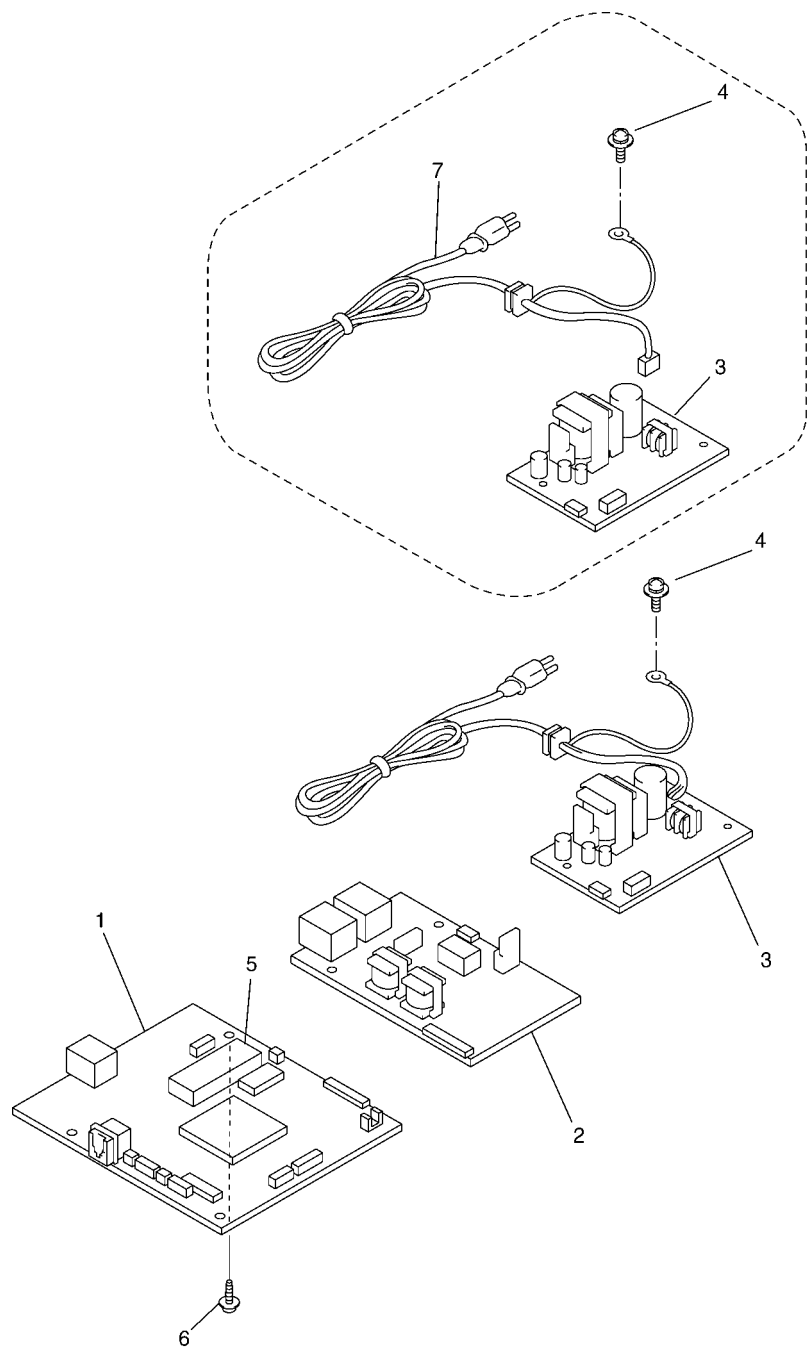
REF No.	CODE	Q'TY	DESCRIPTION	REMARKS	ORDER TO BIUK
1	LE4329003	1	CONTROL PANEL ASSY, FAX-T72 FOR GER/AUS		√
1	LE4383003	1	CONTROL PANEL ASSY, FAX-T74/T7Plus FOR GER/AUS		√
1	LE4396003	1	CONTROL PANEL ASSY, FAX-T76 FOR GER/AUS		√
1	LE4329004	1	CONTROL PANEL ASSY, FAX-T82 FOR GER/AUS		√
1	LE4383004	1	CONTROL PANEL ASSY, FAX-T84 FOR /GER/AUS		√
1	LE4396004	1	CONTROL PANEL ASSY, FAX-T86 FOR GER/AUS		√
1	LE4389003	1	CONTROL PANEL ASSY, FAX-T74 FOR UK/CHE/IRE/ZAF/GNR		√
1	LE4404003	1	CONTROL PANEL ASSY, FAX-T76 FOR UK/CHE/IRE/ZAF/GNR		√
1	LE4389004	1	CONTROL PANEL ASSY, FAX-T84 FOR /UK/CHE/IRE/GNR		√
1	LE4404004	1	CONTROL PANEL ASSY, FAX-T86 FOR UK/IRE/GNR		√
1	LE4379003	1	CONTROL PANEL ASSY, FAX-T72 FOR FRA		√
1	LE4393003	1	CONTROL PANEL ASSY, FAX-T74 FOR FRA		√
1	LE4407003	1	CONTROL PANEL ASSY, FAX-T76 FOR FRA		√
1	LE4379004	1	CONTROL PANEL ASSY, FAX-T82 FOR FRA		√
1	LE4393004	1	CONTROL PANEL ASSY, FAX-T84 FOR FRA		√
1	LE4407004	1	CONTROL PANEL ASSY, FAX-T86 FOR FRA		√
1	LE4434003	1	CONTROL PANEL ASSY, FAX-T74 FOR NOR		√
1	LE4478003	1	CONTROL PANEL ASSY, FAX-T76 FOR NOR		√
1	LE4434004	1	CONTROL PANEL ASSY, FAX-T74(WHITE)/T84 FOR NOR		√
1	LE4478004	1	CONTROL PANEL ASSY, FAX-T86 FOR NOR		√
1	LE4436003	1	CONTROL PANEL ASSY, FAX-T74 FOR BEL		√
1	LE4480003	1	CONTROL PANEL ASSY, FAX-T76 FOR BEL		√
1	LE4436004	1	CONTROL PANEL ASSY, FAX-T84 FOR BEL		√
1	LE4480004	1	CONTROL PANEL ASSY, FAX-T86 FOR BEL		√
1	LE4440003	1	CONTROL PANEL ASSY, FAX-T74 FOR NLD		√
1	LE4482003	1	CONTROL PANEL ASSY, FAX-T76 FOR NLD		√
1	LE4440004	1	CONTROL PANEL ASSY, FAX-T84 FOR NLD		√
1	LE4482004	1	CONTROL PANEL ASSY, FAX-T86 FOR NLD		√
1	LE4430003	1	CONTROL PANEL ASSY, FAX-T72 FOR CHE		√
1	LE4430004	1	CONTROL PANEL ASSY, FAX-T82 FOR CHE		√
1	LE4446003	1	CONTROL PANEL ASSY, FAX-T74 FOR FIN		√
1	LE4485003	1	CONTROL PANEL ASSY, FAX-T76 FOR FIN		√
1	LE4446004	1	CONTROL PANEL ASSY, FAX-T84 FOR FIN		√
1	LE4485004	1	CONTROL PANEL ASSY, FAX-T86 FOR FIN		√
1	LE4449003	1	CONTROL PANEL ASSY, FAX-T74 FOR DEN		√
1	LE4488003	1	CONTROL PANEL ASSY, FAX-T76 FOR DEN		√
1	LE4449004	1	CONTROL PANEL ASSY, FAX-T84 FOR DEN		√
1	LE4488004	1	CONTROL PANEL ASSY, FAX-T86 FOR DEN		√
1	LE4542003	1	CONTROL PANEL ASSY, FAX-T72 FOR SPA		√
1	LE4452003	1	CONTROL PANEL ASSY, FAX-T74 FOR SPA		√
1	LE4491003	1	CONTROL PANEL ASSY, FAX-T76 FOR SPA		√
1	LE4542004	1	CONTROL PANEL ASSY, FAX-T82 FOR SPA		√
1	LE4452004	1	CONTROL PANEL ASSY, FAX-T84 FOR SPA		√
1	LE4491004	1	CONTROL PANEL ASSY, FAX-T86 FOR SPA		√
1	LE4455003	1	CONTROL PANEL ASSY, FAX-T74 FOR ITA		√
1	LE4494003	1	CONTROL PANEL ASSY, FAX-T76 FOR ITA		√
1	LE4455004	1	CONTROL PANEL ASSY, FAX-T84 FOR ITA		√
1	LE4494004	1	CONTROL PANEL ASSY, FAX-T86 FOR ITA		√
1	LF1427004	1	CONTROL PANEL ASSY, FAX-T84 FOR POR		√
1	LF1436004	1	CONTROL PANEL ASSY, FAX-T86 FOR POR		√
1	LE4459003	1	CONTROL PANEL ASSY, FAX-T74 FOR SWE		√
1	LE4497003	1	CONTROL PANEL ASSY, FAX-T76 FOR SWE		√
1	LE4459004	1	CONTROL PANEL ASSY, FAX-T74(WHITE)/T84 FOR SWE		√
1	LE4497004	1	CONTROL PANEL ASSY, FAX-T86 FOR SWE		√
1	LE5523003	1	CONTROL PANEL ASSY, FAX-T74 FOR CZE		√
1	LE5530003	1	CONTROL PANEL ASSY, FAX-T76 FOR CZE		√
1	LE5523004	1	CONTROL PANEL ASSY, FAX-T84 FOR CZE/HUN		√
1	LE5530004	1	CONTROL PANEL ASSY, FAX-T86 FOR CZE/HUN		√
1	LE5611003	1	CONTROL PANEL ASSY, FAX-T74 FOR POL		√
1	LE5613003	1	CONTROL PANEL ASSY, FAX-T76 FOR POL		√
1	LE5611004	1	CONTROL PANEL ASSY, FAX-T84 FOR POL		√
1	LE5613004	1	CONTROL PANEL ASSY, FAX-T86 FOR POL		√
1-1	LE4628003	1	CONTROL PANEL, FAX-T72/T82 FOR GER/AUS		√
1-1	LE4629003	1	CONTROL PANEL, FAX-T74/T7Plus/T84 FOR GER/AUS		√
1-1	LE4630003	1	CONTROL PANEL, FAX-T76/T86 FOR GER/AUS		√
1-1	LE4629004	1	CONTROL PANEL, FAX-T74/T84 FOR UK/CHE/IRE/ZAF/GNR		√
1-1	LE4630004	1	CONTROL PANEL, FAX-T76/T86 FOR UK/CHE/IRE/ZAF/GNR		√
1-1	LE4628005	1	CONTROL PANEL, FAX-T72/T82 FOR FRA		√
1-1	LE4629005	1	CONTROL PANEL, FAX-T74/T84 FOR FRA		√
1-1	LE4630005	1	CONTROL PANEL, FAX-T76/T86 FOR FRA		√
1-1	LE4629007	1	CONTROL PANEL, FAX-T74/T84 FOR NOR		√
1-1	LE4630007	1	CONTROL PANEL, FAX-T76/T86 FOR NOR		√
1-1	LE4629008	1	CONTROL PANEL, FAX-T74/T84 FOR BEL		√
1-1	LE4630008	1	CONTROL PANEL, FAX-T76/T86 FOR BEL		√

LIST5 (CONTROL PANEL)

REF No.	CODE	Q'TY	DESCRIPTION	REMARKS	ORDER TO BIUK
1-1	LE4629009	1	CONTROL PANEL, FAX-T74/T84 FOR NLD		√
1-1	LE4630009	1	CONTROL PANEL, FAX-T76/T86 FOR NLD		√
1-1	LE4628010	1	CONTROL PANEL, FAX-T72/T82 FOR CHE		√
1-1	LE4629012	1	CONTROL PANEL, FAX-T74/T84 FOR FIN		√
1-1	LE4630012	1	CONTROL PANEL, FAX-T76/T86 FOR FIN		√
1-1	LE4629013	1	CONTROL PANEL, FAX-T74/T84 FOR DEN		√
1-1	LE4630013	1	CONTROL PANEL, FAX-T76/T86 FOR DEN		√
1-1	LE4628015	1	CONTROL PANEL, FAX-T72/T82 FOR SPA		√
1-1	LE4629015	1	CONTROL PANEL, FAX-T74/T84 FOR SPA		√
1-1	LE4630015	1	CONTROL PANEL, FAX-T76/T86 FOR SPA		√
1-1	LE4629016	1	CONTROL PANEL, FAX-T74/T84 FOR ITA		√
1-1	LE4630016	1	CONTROL PANEL, FAX-T76/T86 FOR ITA		√
1-1	LE4629026	1	CONTROL PANEL, FAX-T74/T84 FOR SWE		√
1-1	LE4630026	1	CONTROL PANEL, FAX-T76/T86 FOR SWE		√
1-1	LE4629037	1	CONTROL PANEL, FAX-T74/T84 FOR CZE/HUN		√
1-1	LE4630037	1	CONTROL PANEL, FAX-T76/T86 FOR CZE		√
1-1	LE4629039	1	CONTROL PANEL, FAX-T74/T84 FOR POL		√
1-1	LE4630039	1	CONTROL PANEL, FAX-T76/T86 FOR POL		√
1-2	LE4073004	1	KEY, TEN, BLUE(6314)		
1-3	LE4146003	1	KEY, REDIAL, GRAY(1251), FAX-T72/T74(GRAY)/T7Plus/T76		√
1-3	LE4146001	1	KEY, REDIAL, WHITE(1485), FAX-T74(WHITE)/T82/T84/T86		
1-4	LE4074002	1	KEY, START, BLUE(6314)		√
1-5	LE4075003	1	KEY, COPY, GRAY(1251), FAX-T72/T74(GRAY)/T7Plus/T76		√
1-5	LE4075001	1	KEY, COPY, WHITE(1485), FAX-T74(WHITE)/T82/T84/T86		
1-6	LE4076001	1	KEY, STOP, PINK(2205)		
1-7	LE4077003	1	KEY, MODE, GRAY(1251), FAX-T72/T74(GRAY)/T7Plus/T76		√
1-7	LE4077001	1	KEY, MODE, WHITE(1485), FAX-T74(WHITE)/T82/T84/T86		
1-8	LE4078003	1	KEY, FUNCTION, GRAY(1251)		√
1-9	LE4079003	1	KEY, ONE TOUCH, BLUE(6314)		√
1-10	LE4165001	1	KEY, PRINTED FLASH, FAX-T76		√
1-11	LE4150001	1	FLASH KEY SUPPORTER, FAX-T76		
1-12	LE4151002	1	KEY, REP, BLUE(6314), FAX-T76/T86		
1-13	LG2561001	1	CONTROL PANEL PCB ASSY, FAX-T72/T74/T7Plus/T82/T84	B53K463-101*	
1-13	LG2585001	1	CONTROL PANEL PCB ASSY, FAX-T76/T86	B53K487-101*	
1-14	LG2567001	1	LCD		
1-15	LG2568001	1	FPC KEY		
1-16	087310815	1	TAPTITE, CUP B M3X8, FAX-T72/T74/T7Plus/T82/T84		√
1-16	087310815	2	TAPTITE, CUP B M3X8, FAX-T76/T86		√
1-17	LG2569001	1	PANEL-MAIN HARNESS, FAX-T72/T74/T7Plus/T82/T84		
1-17	LG2580001	1	PANEL-MAIN HARNESS, (W/ MICROPHONE), FAX-T76/T86		
1-18	UF6916001	1	MIC COVER, FAX-T76		
1-19	UF9993001	1	MIC RUBBER, FAX-T76		
1-20	LE4081001	1	PANEL REAR COVER		
1-21	LE4082001	1	ADF SEPARATION RUBBER		
1-22	LE4190001	1	SEPARATION RUBBER FILM		
1-23	LE4083001	1	ADF HOLDER		
1-24	LE4084001	1	ADF SPRING PLATE		
1-25	LE4085001	1	ADF SPRING		
1-26	UF6116001	1	TAPTITE, PAN B M3X6		
1-27	087310815	4	TAPTITE, CUP B M3X8		√
1-28	LE4090003	1	DOCUMENT GUIDE B-L, GRAY(1293), FAX-T72/T74(GRAY)/T7Plus/T76		√
1-28	LE4090004	1	DOCUMENT GUIDE B-L, WHITE(1517), FAX-T74(WHITE)/T82/T84/T86		
1-29	LE4091003	1	DOCUMENT GUIDE B-R, GRAY(1293), FAX-T72/T74(GRAY)/T7Plus/T76		√
1-29	LE4091004	1	DOCUMENT GUIDE B-R, WHITE(1517), FAX-T74(WHITE)/T82/T84/T86		
1-30	UF4417000	1	GUIDE GEAR		
1-31	UF4418001	1	SPRING, COMPRESSION		
1-32	UF6116001	1	TAPTITE, PAN B M3X6		
1-33	UU0243001	1	ANTI-STATIC BRUSH		
2	LE4092001	1	ACF SEPARATION RUBBER		
3	LE4093001	1	ACF PLATE		
4	LE4094001	1	ACF HOLDER		
5	LE4187001	1	ACF LEAF SPRING		
6	LE4096001	1	ACF SPRING		
7	085310815	4	TAPTITE, BIND B M3X8		
8	LE4098003	1	CHUTE COVER, BLACK, FAX-T72/T74(GRAY)/T7Plus/T76		√
8	LE4098001	1	CHUTE COVER, NATURAL, FAX-T74(WHITE)/T82/T84/T86		
9	LE4102001	1	PLATEN		
10	LE4104001	1	PLATEN SHAFT BUSHING L, BLACK		
11	LE4105001	1	PLATEN SHAFT BUSHING R, WHITE		
12	LE4111001	1	GEAR, 24		
13	LE4047001	1	GEAR, 23		

LIST5 (CONTROL PANEL)

REF No.	CODE	Q'TY	DESCRIPTION	REMARKS	ORDER TO BIUK
14	LE4106001	1	PAPER FEED ROLLER 32		
15	LE4108001	1	PAPER FEED ROLLER GEAR 37		
16	UF6613001	1	SEPARATION ROLLER		
17	LE4109001	1	SEPARATION ROLLER GEAR 46		
18	LE4147001	2	PAPER PRESSURE ROLLER		
19	LE4110001	1	PRESSURE ROLLER SHAFT		
20	UF9781001	2	PRESSURE ROLLER SPRING		
21	LE4012001	2	GEAR, 32		
22	LE4099001	1	REGISTRATION SENSOR ACTUATOR		
23	LE4113001	1	LOCK BAR		
24	LE4114001	1	LOCK LEVER L, WHITE		
25	LE4115001	1	LOCK LEVER R, GREY(1473)		
26	LE4373001	1	LOCK SPRING		√
27	LE4117001	1	CHUTE FILM		
28	LE4203001	1	ADF FILM		
29	087310815	4	TAPTITE, CUP B M3X8		√
30	LE4087001	1	DOCUMENT PRESSURE BAR		
31	LE4088001	1	WHITE FILM		
32	UF9781001	3	SPRING		
33	LE4300001	1	LCD SHEET, FAX-T72		√
33	LE4384001	1	LCD SHEET, FAX-T74		√
33	LF1342001	1	LCD SHEET, FAX-T82		√
33	LF1352001	1	LCD SHEET, FAX-T84		√
33	LE5620001	1	LCD SHEET, FAX-T7Plus FOR GER/AUS		√
33	LE4399001	1	LCD SHEET, FAX-T76 FOR GER/AUS		√
33	LF1357001	1	LCD SHEET, FAX-T86 FOR GER/AUS		√
33	LE4405001	1	LCD SHEET, FAX-T76 FOR UK/BEL/CHE/IRE/ZAF/SWE/GNR		√
33	LF1361001	1	LCD SHEET, FAX-T86 FOR UK/BEL/IRE/GNR		√
33	LE4408001	1	LCD SHEET, FAX-T76 FOR FRA		√
33	LF1362001	1	LCD SHEET, FAX-T86 FOR FRA		√
33	LE4479001	1	LCD SHEET, FAX-T76 FOR NOR		√
33	LF1363001	1	LCD SHEET, FAX-T86 FOR NOR		√
33	LE4483001	1	LCD SHEET, FAX-T76 FOR NLD		√
33	LF1364001	1	LCD SHEET, FAX-T86 FOR NLD		√
33	LE4486001	1	LCD SHEET, FAX-T76 FOR FIN		√
33	LF1365001	1	LCD SHEET, FAX-T86 FOR FIN		√
33	LE4489001	1	LCD SHEET, FAX-T76 FOR DEN		√
33	LF1366001	1	LCD SHEET, FAX-T86 FOR DEN		√
33	LE4492001	1	LCD SHEET, FAX-T76 FOR SPA		√
33	LF1367001	1	LCD SHEET, FAX-T86 FOR SPA		√
33	LE4495001	1	LCD SHEET, FAX-T76 FOR ITA		√
33	LF1368001	1	LCD SHEET, FAX-T86 FOR ITA		√
33	LF1437001	1	LCD SHEET, FAX-T86 FOR POR		√
33	LE4498001	1	LCD SHEET, FAX-T76 FOR SWE		√
33	LF1369001	1	LCD SHEET, FAX-T86 FOR SWE		√
33	LE5531001	1	LCD SHEET, FAX-T76 FOR CZE		√
33	LF1370001	1	LCD SHEET, FAX-T86 FOR CZE/HUN		√
33	LE5527001	1	LCD SHEET, FAX-T76 FOR POL		√
33	LF1371001	1	LCD SHEET, FAX-T86 FOR POL		√

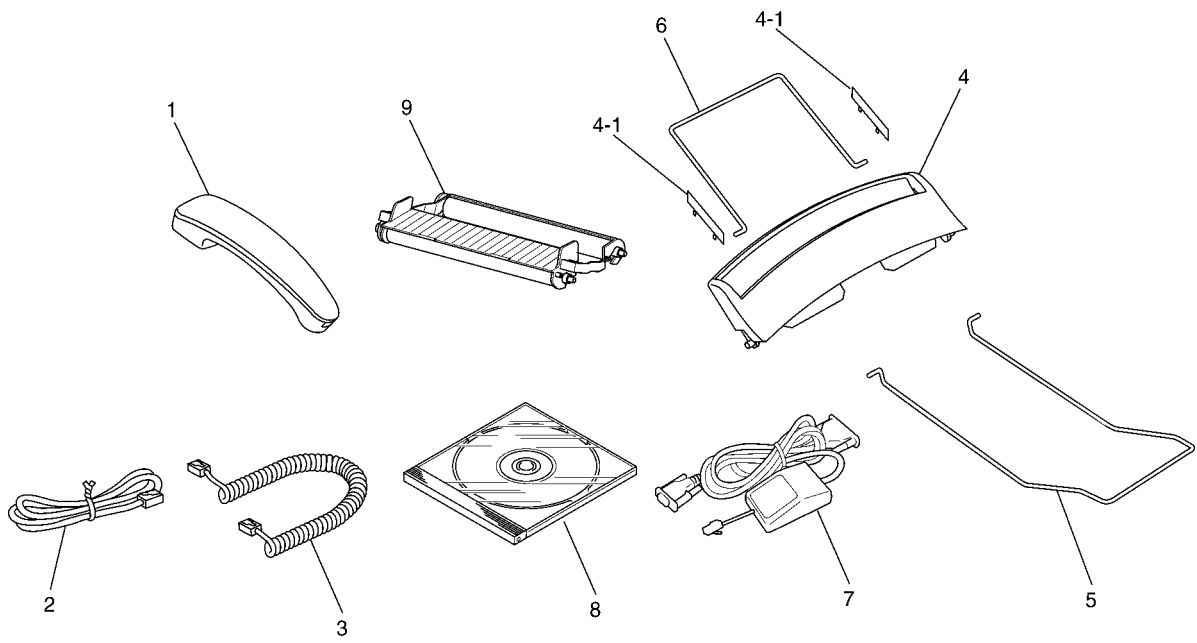


LIST6 (PCB)

REF No.	CODE	QTY	DESCRIPTION	REMARKS	ORDER TO BIUK
1	LG3293026	1	MAIN PCB ASSY, FAX-T72 FOR GER/FRA/AUS/SPA	B53K550-226*	√
1	LG3115021	1	MAIN PCB ASSY, FAX-T74 FOR GER/UK/FRA/NOR/BEL/NLD/IRE/FIN/DEN/AUS/SPA/ITA/ZAF/SWE/CZE/GNR, FAX-T7Plus FOR GER/AUS	B53K550-221*	√
1	LG3473031	1	MAIN PCB ASSY, FAX-T76 FOR GER/UK/FRA/NOR/BEL/NLD/CHE/IRE/FIN/DEN/AUS/SPA/ITA/ZAF/SWE/CZE/GNR	B53K531-231*	√
1	LG3293056	1	MAIN PCB ASSY, FAX-T82 FOR /GER/FRA/AUS/SPA	B53K550-256*	√
1	LG3473061	1	MAIN PCB ASSY, FAX-T86 FOR GER/UK/FRA/NOR /BEL/NLD/IRE/FIN/DEN/AUS/SPA/ITA/POR/SWE/CZE/HUN/GNR	B53K531-261*	√
1	LG3115051	1	MAIN PCB ASSY, FAX-T84 FOR /GER/UK/FRA/NOR /BEL/NLD/IRE/FIN/DEN/AUS/SPA/ITA/POR/SWE/CZE/HUN/GNR	B53K550-251*	√
1	LG3293028	1	MAIN PCB ASSY, FAX-T72 FOR CHE	B53K550-228*	√
1	LG3115025	1	MAIN PCB ASSY, FAX-T74 FOR CHE	B53K550-225*	√
4	LG2726034	4	MAIN PCB ASSY, FAX-T76 FOR CHE		√
1	LG3293058	1	MAIN PCB ASSY, FAX-T82 FOR /CHE	B53K550-258*	√
1	LG3115055	1	MAIN PCB ASSY, FAX-T84 FOR /CHE	B53K550-255*	√
1	LG2735022	1	MAIN PCB ASSY, FAX-T74/T84 FOR POL	B53K465-322*	√
1	LG2762032	1	MAIN PCB ASSY, FAX-T76/T86 FOR POL	B53K472-232*	√
2	LG2878003	1	NCU PCB ASSY FOR GER/AUS	B53K498-103*	√
2	LG3238005	1	NCU PCB ASSY FOR FRA	B53K562-105*	√
2	LG3238010	1	NCU PCB ASSY FOR CHE	B53K562-110*	√
2	LG2726004	1	NCU PCB ASSY FOR UK	B53K485-104*	√
2	LG2726007	1	NCU PCB ASSY FOR NOR/FIN	B53K485-107*	√
2	LG3238008	1	NCU PCB ASSY BEL/IRE/SPA/ITA/POR/CZE/HUN/GNR	B53K562-108*	√
2	LG2726026	1	NCU PCB ASSY FOR NLD/SWE	B53K485-126*	√
2	LG2726013	1	NCU PCB ASSY FOR DEN	B53K485-113*	√
2	LG2747039	1	NCU PCB ASSY FOR POL	B53K486-239*	√
3	LG4431001	1	POWER SUPPLY PCB ASSY, (W/ AC CORD), FAX-T72/T74/T7Plus/T82/T84 FOR GER/FRA/NOR/BEL/NLD/FIN/AUS/SPA/ITA/POR/SWE/CZE/HUN/POL/GNR	CHG	√
3	LG3495003	1	POWER SUPPLY PCB ASSY, (W/ AC CORD), FAX-T76/T86 FOR GER/FRA/NOR/BEL/NLD/FIN/AUS/SPA/ITA/SWE/CZE/GNR		√
3	LG4433001	1	POWER SUPPLY PCB ASSY, (W/ AC CORD), FAX-T74/T84 FOR UK/IRE	chg	√
3	LG3495004	1	POWER SUPPLY PCB ASSY, (W/ AC CORD), FAX-T76/T86 FOR UK/IRE		√
3	LG2863010	1	POWER SUPPLY PCB ASSY, (W/ AC CORD) FOR CHE		√
3	LG2863013	1	POWER SUPPLY PCB ASSY, (W/ AC CORD) FOR DEN		√
3	LG4435001	1	POWER SUPPLY PCB ASSY, (W/ AC CORD), FAX-T74 FOR ZAF	chg	√
3	LG3495024	1	POWER SUPPLY PCB ASSY, (W/ AC CORD), FAX-T76 FOR ZAF		√
4	UF4444001	1	SCREW, PAN(P WASHER) M4X6		√
*5	LG0140003	1	OTPROM, FAX-T72 FOR GER		√
*5	LG0255003	1	OTPROM, FAX-T72 FOR GER/AUS [FOR NEW DRIVE UNIT]		√
*5	LG0164003	1	OTPROM, FAX-T74 FOR GER/AUS		√
*5	LG0263003	1	OTPROM, FAX-T74 FOR GER/AUS [FOR NEW DRIVE UNIT]		√
*5	LG0170003	1	OTPROM, FAX-T76 FOR GER/AUS		√
*5	LG0279003	1	OTPROM, FAX-T76 FOR GER/AUS [FOR NEW DRIVE UNIT]		√
5	LG0407003	1	OTPROM, FAX-T82 FOR GER/AUS		√
5	LG0411003	1	OTPROM, FAX-T84 FOR GER/AUS		√
5	LG0419003	1	OTPROM, FAX-T86 FOR GER/AUS		√
*5	LG0166004	1	OTPROM, FAX-T74 FOR UK/ZAF/GNR		√
*5	LG0265004	1	OTPROM, FAX-T74 FOR UK/ZAF/GNR [FOR NEW DRIVE UNIT]		√
*5	LG0172004	1	OTPROM, FAX-T76 FOR UK/ZAF/GNR		√
*5	LG0281004	1	OTPROM, FAX-T76 FOR UK/ZAF/GNR [FOR NEW DRIVE UNIT]		√
5	LG0413004	1	OTPROM, FAX-T84 FOR UK/GNR		√
5	LG0421004	1	OTPROM, FAX-T86 FOR UK/GNR		√
*5	LG0162005	1	OTPROM, FAX-T72 FOR FRA		√
*5	LG0257005	1	OTPROM, FAX-T72 FOR FRA [FOR NEW DRIVE UNIT]		√
*5	LG0168005	1	OTPROM, FAX-T74 FOR FRA		√
*5	LG0267005	1	OTPROM, FAX-T74 FOR FRA [FOR NEW DRIVE UNIT]		√
*5	LG0174005	1	OTPROM, FAX-T76 FOR FRA		√
*5	LG0283005	1	OTPROM, FAX-T76 FOR FRA [FOR NEW DRIVE UNIT]		√
5	LG0409005	1	OTPROM, FAX-T82 FOR FRA		√
5	LG0415005	1	OTPROM, FAX-T84 FOR FRA		√
5	LG0423005	1	OTPROM, FAX-T86 FOR FRA		√
*5	LG0144007	1	OTPROM, FAX-T74 FOR NOR/BEL/CHE/IRE		√
*5	LG0269007	1	OTPROM, FAX-T74 FOR NOR/BEL/CHE [FOR NEW DRIVE UNIT]		√
*5	LG0180007	1	OTPROM, FAX-T76 FOR NOR/BEL/CHE/IRE		√
*5	LG0293007	1	OTPROM, FAX-T76 FOR NOR/BEL/CHE [FOR NEW DRIVE UNIT]		√
5	LG0431007	1	OTPROM, FAX-T84 FOR NOR /BEL/CHE		√
5	LG0447007	1	OTPROM, FAX-T86 FOR NOR /BEL		√
*5	LG0166009	1	OTPROM, FAX-T74 FOR NLD		√
*5	LG0289009	1	OTPROM, FAX-T74 FOR NLD [FOR NEW DRIVE UNIT]		√
*5	LG0172009	1	OTPROM, FAX-T76 FOR NLD		√
*5	LG0182009	1	OTPROM, FAX-T76 FOR NLD/FIN/DEN/ITA/SWE		√

LIST6 (PCB)

REF No.	CODE	QTY	DESCRIPTION	REMARKS	ORDER TO BIUK
*5	LG0295009	1	OTPROM, FAX-T76 FOR NLD [FOR NEW DRIVE UNIT]		√
*5	LG0176009	1	OTPROM, FAX-T74 FOR NLD/FIN/DEN/ITA/SWE		√
5	LG0433009	1	OTPROM, FAX-T84 FOR NLD		√
5	LG0449009	1	OTPROM, FAX-T86 FOR NLD		√
*5	LG0142010	1	OTPROM, FAX-T72 FOR CHE		√
*5	LG0259010	1	OTPROM, FAX-T72 FOR CHE [FOR NEW DRIVE UNIT]		√
5	LG0427010	1	OTPROM, FAX-T82 FOR CHE		√
*5	LG0291011	1	OTPROM, FAX-T74 FOR IRE [FOR NEW DRIVE UNIT]		√
*5	LG0297011	1	OTPROM, FAX-T76 FOR IRE [FOR NEW DRIVE UNIT]		√
5	LG0435011	1	OTPROM, FAX-T84 FOR IRE		√
5	LG0451011	1	OTPROM, FAX-T86 FOR IRE		√
*5	LG0271009	1	OTPROM, FAX-T74 FOR FIN/SWE [FOR NEW DRIVE UNIT]		√
*5	LG0285009	1	OTPROM, FAX-T76 FOR FIN/SWE [FOR NEW DRIVE UNIT]		√
5	LG0437012	1	OTPROM, FAX-T84 FOR FIN/SWE		√
5	LG0453012	1	OTPROM, FAX-T86 FOR FIN/SWE		√
*5	LG0289013	1	OTPROM, FAX-T74 FOR DEN [FOR NEW DRIVE UNIT]		√
*5	LG0295013	1	OTPROM, FAX-T76 FOR DEN [FOR NEW DRIVE UNIT]		√
5	LG0439013	1	OTPROM, FAX-T84 FOR DEN		√
5	LG0455013	1	OTPROM, FAX-T86 FOR DEN		√
*5	LG0194015	1	OTPROM, FAX-T72 FOR SPA		√
*5	LG0261015	1	OTPROM, FAX-T72 FOR SPA [FOR NEW DRIVE UNIT]		√
*5	LG0178015	1	OTPROM, FAX-T74 FOR SPA		√
*5	LG0273015	1	OTPROM, FAX-T74 FOR SPA [FOR NEW DRIVE UNIT]		√
*5	LG0184015	1	OTPROM, FAX-T76 FOR SPA		√
*5	LG0287015	1	OTPROM, FAX-T76 FOR SPA [FOR NEW DRIVE UNIT]		√
5	LG0429015	1	OTPROM, FAX-T82 FOR SPA		√
5	LG0417018	1	OTPROM, FAX-T84 FOR SPA/POR		√
5	LG0425018	1	OTPROM, FAX-T86 FOR SPA/POR		√
*5	LG0289016	1	OTPROM, FAX-T74 FOR ITA [FOR NEW DRIVE UNIT]		√
*5	LG0295016	1	OTPROM, FAX-T76 FOR ITA [FOR NEW DRIVE UNIT]		√
5	LG0441016	1	OTPROM, FAX-T84 FOR ITA		√
5	LG0457016	1	OTPROM, FAX-T86 FOR ITA		√
5	LG0265037	1	OTPROM, FAX-T74 FOR CZE [FOR NEW DRIVE UNIT]		√
5	LG0293037	1	OTPROM, FAX-T76 FOR CZE [FOR NEW DRIVE UNIT]		√
5	LG0443037	1	OTPROM, FAX-T84 FOR CZE/HUN		√
5	LG0459037	1	OTPROM, FAX-T86 FOR CZE/HUN		√
5	LG0265039	1	OTPROM, FAX-T74 FOR POL [FOR NEW DRIVE UNIT]		√
5	LG0281039	1	OTPROM, FAX-T76 FOR POL [FOR NEW DRIVE UNIT]		√
5	LG0445039	1	OTPROM, FAX-T84 FOR POL		√
5	LG0461039	1	OTPROM, FAX-T86 FOR POL		√
6	087310815	1	TAPTITE, CUP B M3X8		√
7	----		NOT USED		



LIST7 (ACCESSORIES)

REF No.	CODE	Q'TY	DESCRIPTION	REMARKS	ORDER TO BIUK
1	LE5499012	1	HANDSET ASSY, GRAY(1293), FAX-T74(GRAY)/T76/T7Plus		√
1	LE5499009	1	HANDSET ASSY, GRAY(1293), FAX-T74(WHITE)/T86		
2	UG3625001	1	TELEPHONE LINE CORD FOR GER		√
2	UG3627001	1	TELEPHONE LINE CORD FOR FRA		√
2	UG3469000	1	TELEPHONE LINE CORD FOR CHE		√
2	UG3626001	1	TELEPHONE LINE CORD FOR UK		√
2	UG3629001	1	TELEPHONE LINE CORD FOR NOR		√
2	UG1575001	1	TELEPHONE LINE CORD FOR BEL		√
2	UG3631001	1	TELEPHONE LINE CORD FOR NLD		√
2	LG3077001	1	TELEPHONE LINE CORD FOR IRE/SPA/ZAF/POR/CZE/POL/GNR		
2	UG3632001	1	TELEPHONE LINE CORD FOR FIN		
2	LG4566001	1	TELEPHONE PLUG FOR DEN	ADD	√
2	UG1574001	1	TELEPHONE LINE CORD FOR DEN	CHG	√
2	UG4205001	1	TELEPHONE LINE CORD FOR AUS		
2	UG3634001	1	TELEPHONE LINE CORD FOR ITA		√
2	UG3635001	1	TELEPHONE LINE CORD FOR SWE		√
3	UG3543004	1	CURLED CORD ASSY, FAX-T74(GRAY)/T76/T7Plus		
3	UG3543009	1	CURLED CORD ASSY, FAX-T74(WHITE)/T86		
4	LE4375002	1	PAPER TRAY ASSY		√
4-1	LE4234002	2	PAPER GUIDE		
5	----		NOT USED		
6	UF9869001	1	PAPER WIRE EXTENSION		
7	----		NOT USED		
8	----		NOT USED		
9	LE4537001	1	PRINTING CARTRIDGE EXCEPT FOR UK		√
9	LE4550001	1	PRINTING CARTRIDGE FOR UK		√
(9-1)	LE4464001	1	PRINTING CARTRIDGE FRAME		√
(9-2)	LE4143001	1	REFILL ROLL(10M), EXCEPT FAX-86 FOR UK		

LIST8 (PRINTED MATERIAL)

REF No.	CODE	Q'TY	DESCRIPTION	REMARKS	ORDER TO BIUK
1	LE4332003	1	OWNER'S MANUAL ASSY, FAX-T72 FOR GER/AUS (INCLUDING OWNER'S MANUAL(REF. No.(1-1), WARRANTY CARD, ADDRESS LABEL(REF. No.(1-2)))		√
1	LE4385003	1	OWNER'S MANUAL ASSY, FAX-T74 FOR GER/AUS (INCLUDING OWNER'S MANUAL(REF. No.(1-1), WARRANTY CARD, ADDRESS LABEL(REF. No.(1-2)))		√
1	LE4400003	1	OWNER'S MANUAL ASSY, FAX-T76 FOR GER/AUS (INCLUDING OWNER'S MANUAL(REF. No.(1-1), WARRANTY CARD, ADDRESS LABEL(REF. No.(1-2)))		√
1	LE5621003	1	OWNER'S MANUAL ASSY, FAX-T7Plus FOR GER/AUS (INCLUDING OWNER'S MANUAL(REF. No.(1-1), WARRANTY CARD, ADDRESS LABEL(REF. No.(1-2)))		√
1	LF1343003	1	OWNER'S MANUAL ASSY, FAX-T82 FOR GER/AUS (INCLUDING OWNER'S MANUAL(REF. No.(1-1), WARRANTY CARD, ADDRESS LABEL(REF. No.(1-2)))		√
1	LF1353003	1	OWNER'S MANUAL ASSY, FAX-T84 FOR GER/AUS (INCLUDING OWNER'S MANUALS(REF. No.(1-1), WARRANTY CARD, ADDRESS LABEL(REF. No.(1-2)))		√
1	LF1488039	1	OWNER'S MANUAL ASSY, FAX-T86 FOR GER/AUS (INCLUDING OWNER'S MANUALS(REF. No.(1-1), WARRANTY CARD, ADDRESS LABEL(REF. No.(1-2)))		√
1	LE5931014	1	OWNER'S MANUAL ASSY, FAX-T74 FOR AUS (INCLUDING OWNER'S MANUAL(REF. No.(1-1), WARRANTY CARD, ADDRESS LABEL(REF. No.(1-2)))		√
1	LE5934014	1	OWNER'S MANUAL ASSY, FAX-T76 FOR AUS (INCLUDING OWNER'S MANUAL(REF. No.(1-1), WARRANTY CARD, ADDRESS LABEL(REF. No.(1-2)))		√
1	LE5932014	1	OWNER'S MANUAL ASSY, FAX-T7Plus FOR AUS (INCLUDING OWNER'S MANUAL(REF. No.(1-1), WARRANTY CARD, ADDRESS LABEL(REF. No.(1-2)))		√
1	LE4390004	1	OWNER'S MANUAL ASSY, FAX-T74/T76 FOR UK (INCLUDING OWNER'S MANUAL(REF. No.(1-1), WARRANTY CARD, ADDRESS LABEL(REF. No.(1-2)))		√
1	LF1422004	1	OWNER'S MANUAL ASSY, FAX-T84/T86 FOR UK (INCLUDING OWNER'S MANUALS(REF. No.(1-1), WARRANTY CARD, ADDRESS LABEL(REF. No.(1-2)))		√
1	LE4380005	1	OWNER'S MANUAL ASSY, FAX-T72/T74/T76 FOR FRA (INCLUDING OWNER'S MANUAL(REF. No.(1-1), WARRANTY CARD, ADDRESS LABEL(REF. No.(1-2)))		√
1	LF1346005	1	OWNER'S MANUAL ASSY, FAX-T82/T84/T86 FOR FRA (INCLUDING OWNER'S MANUAL(REF. No.(1-1), WARRANTY CARD, ADDRESS LABEL(REF. No.(1-2)))		√
1	LE4435007	1	OWNER'S MANUAL ASSY, FAX-T74/T76 FOR NOR (INCLUDING OWNER'S MANUAL(REF. No.(1-1), WARRANTY CARD, ADDRESS LABEL(REF. No.(1-2)))		√
1	LF1464007	1	OWNER'S MANUAL ASSY, FAX-T84/T86 FOR NOR (INCLUDING OWNER'S MANUALS(REF. No.(1-1), WARRANTY CARD, ADDRESS LABEL(REF. No.(1-2)))		√
1	LE4437008	1	OWNER'S MANUAL ASSY, FAX-T74/T76 FOR BEL (INCLUDING OWNER'S MANUALS(REF. No.(1-1), WARRANTY CARD, ADDRESS LABEL(REF. No.(1-2)))		√
1	LF1466008	1	OWNER'S MANUAL ASSY, FAX-T84/T86 FOR BEL (INCLUDING OWNER'S MANUALS(REF. No.(1-1), WARRANTY CARD, ADDRESS LABEL(REF. No.(1-2)))		√
1	LE4442009	1	OWNER'S MANUAL ASSY, FAX-T74/T76 FOR NLD (INCLUDING OWNER'S MANUAL(REF. No.(1-1), WARRANTY CARD, ADDRESS LABEL(REF. No.(1-2)))		√
1	LF1469009	1	OWNER'S MANUAL ASSY, FAX-T84/T86 FOR NLD (INCLUDING OWNER'S MANUALS(REF. No.(1-1), WARRANTY CARD, ADDRESS LABEL(REF. No.(1-2)))		√
1	LE4431010	1	OWNER'S MANUAL ASSY, FAX-T72/T74/T76 FOR CHE (INCLUDING OWNER'S MANUALS(REF. No.(1-1), WARRANTY CARD, ADDRESS LABEL(REF. No.(1-2)))		√
1	LF1348010	1	OWNER'S MANUAL ASSY, FAX-T82/T84 FOR CHE (INCLUDING OWNER'S MANUALS(REF. No.(1-1), WARRANTY CARD, ADDRESS LABEL(REF. No.(1-2)))		√
1	LE4444011	1	OWNER'S MANUAL ASSY, FAX-T74/T76 FOR IRE (INCLUDING OWNER'S MANUAL(REF. No.(1-1), WARRANTY CARD, ADDRESS LABEL(REF. No.(1-2)))		√
1	LF1471011	1	OWNER'S MANUAL ASSY, FAX-T84/T86 FOR IRE (INCLUDING OWNER'S MANUALS(REF. No.(1-1), WARRANTY CARD, ADDRESS LABEL(REF. No.(1-2)))		√
1	LE4447012	1	OWNER'S MANUAL ASSY, FAX-T74/T76 FOR FIN (INCLUDING OWNER'S MANUAL(REF. No.(1-1), ADDRESS LABEL(REF. No.(1-2)))		√

LIST8 (PRINTED MATERIAL)

REF No.	CODE	Q'TY	DESCRIPTION	REMARKS	ORDER TO BIUK
1	LF1473012	1	OWNER'S MANUAL ASSY, FAX-T84/T86 FOR FIN (INCLUDING OWNER'S MANUALS(REF. No.(1-1), ADDRESS LABEL(REF. No.(1-2)))		√
1	LE4450013	1	OWNER'S MANUAL ASSY, FAX-T74/T76 FOR DEN (INCLUDING OWNER'S MANUAL(REF. No.(1-1), WARRANTY CARD, ADDRESS LABEL(REF. No.(1-2)))		√
1	LF1477013	1	OWNER'S MANUAL ASSY, FAX-T84/T86 FOR DEN (INCLUDING OWNER'S MANUALS(REF. No.(1-1), WARRANTY CARD, ADDRESS LABEL(REF. No.(1-2)))		√
1	LE4453015	1	OWNER'S MANUAL ASSY, FAX-T72/T74/T76 FOR SPA (INCLUDING OWNER'S MANUAL(REF. No.(1-1), WARRANTY CARD, ADDRESS LABEL(REF. No.(1-2)))		√
1	LF1350015	1	OWNER'S MANUAL ASSY, FAX-T82/T84/T86 FOR SPA (INCLUDING OWNER'S MANUAL(REF. No.(1-1), WARRANTY CARD, ADDRESS LABEL(REF. No.(1-2)))		√
1	LE4456016	1	OWNER'S MANUAL ASSY, FAX-T74/T76 FOR ITA (INCLUDING OWNER'S MANUAL(REF. No.(1-1), WARRANTY CARD, ADDRESS LABEL(REF. No.(1-2)))		√
1	LF1481016	1	OWNER'S MANUAL ASSY, FAX-T84/T86 FOR ITA (INCLUDING OWNER'S MANUALS(REF. No.(1-1), WARRANTY CARD, ADDRESS LABEL(REF. No.(1-2)))		√
1	LF1428018	1	OWNER'S MANUAL ASSY, FAX-T84/T86 FOR POR (INCLUDING OWNER'S MANUALS(REF. No.(1-1), ADDRESS LABEL(REF. No.(1-2)))		√
1	LE4457024	1	OWNER'S MANUAL ASSY, FAX-T74/T76 FOR ZAF/GNR (INCLUDING OWNER'S MANUAL(REF. No.(1-1), ADDRESS LABEL(REF. No.(1-2)))		√
1	LE4460026	1	OWNER'S MANUAL ASSY, FAX-T74/T76 FOR SWE (INCLUDING OWNER'S MANUAL(REF. No.(1-1), WARRANTY CARD, ADDRESS LABEL(REF. No.(1-2)))		√
1	LF1484026	1	OWNER'S MANUAL ASSY, FAX-T84/T86 FOR SWE (INCLUDING OWNER'S MANUALS(REF. No.(1-1), WARRANTY CARD, ADDRESS LABEL(REF. No.(1-2)))		√
1	LE5524037	1	OWNER'S MANUAL ASSY, FAX-T74/T76 FOR CZE (INCLUDING OWNER'S MANUAL(REF. No.(1-1), WARRANTY CARD, ADDRESS LABEL(REF. No.(1-2)))		√
1	LF1486037	1	OWNER'S MANUAL ASSY, FAX-T84/T86 FOR CZE/HUN/GNR (INCLUDING OWNER'S MANUALS(REF. No.(1-1), ADDRESS LABEL(REF. No.(1-2)))		√
1	LE5528039	1	OWNER'S MANUAL ASSY, FAX-T74/T76 FOR POL (INCLUDING OWNER'S MANUAL(REF. No.(1-1), ADDRESS LABEL(REF. No.(1-2)))		√
1	LF1488039	1	OWNER'S MANUAL ASSY, FAX-T84/T86 FOR POL (INCLUDING OWNER'S MANUALS(REF. No.(1-1), WARRANTY CARD, ADDRESS LABEL(REF. No.(1-2)))		√
(1-1)	LE4333003	1	OWNER'S MANUAL, FAX-T72 FOR GER/AUS		√
(1-1)	LE4386003	1	OWNER'S MANUAL, FAX-T74 FOR GER/AUS		√
(1-1)	LE4401003	1	OWNER'S MANUAL, FAX-T76 FOR GER/AUS		√
(1-1)	LE5622003	1	OWNER'S MANUAL, FAX-T7Plus FOR GER/AUS		√
(1-1)	LF1344003	1	OWNER'S MANUAL, FAX-T82 FOR GER/AUS		√
(1-1)	LF1354003	1	OWNER'S MANUAL, FAX-T84 FOR GER/AUS		√
(1-1)	LF1359003	1	OWNER'S MANUAL, FAX-T86 FOR GER/AUS		√
(1-1)	LE4391004	1	OWNER'S MANUAL, FAX-T72/T74/T76/T7Plus FOR UK/IRE/ZAF/CZE/GNR		√
(1-1)	LF1347004	1	OWNER'S MANUAL, FAX-T84/T86 FOR UK/IRE/CZE/HUN/GNR		√
(1-1)	LE4391005	1	OWNER'S MANUAL, FAX-T72/T74/T76/T7Plus FOR FRA		√
(1-1)	LF1347005	1	OWNER'S MANUAL, FAX-T82/T84/T86 FOR FRA		√
(1-1)	LE4391007	1	OWNER'S MANUAL, FAX-T72/T74/T76/T7Plus FOR NOR		√
(1-1)	LF1347007	1	OWNER'S MANUAL, FAX-T84/T86 FOR NOR		√
(1-1)	LE4438008	1	OWNER'S MANUAL, FAX-T72/T74/T76/T7Plus FOR CHE/BEL(FRENCH)		√
(1-1)	LE4391008	1	OWNER'S MANUAL, FAX-T72/T74/T76/T7Plus FOR BEL(DUTCH)		√
(1-1)	LF1347008	1	OWNER'S MANUAL, FAX-T84/T86 FOR BEL		√
(1-1)	LF1349008	1	OWNER'S MANUAL, FAX-T82/T84 FOR BEL/CHE (GERMAN)		√
(1-1)	LE4391009	1	OWNER'S MANUAL, FAX-T72/T74/T76/T7Plus FOR NLD		√
(1-1)	LF1347009	1	OWNER'S MANUAL, FAX-T84/T86 FOR NLD		√
(1-1)	LE4391010	1	OWNER'S MANUAL, FAX-T72/T74/T76/T7Plus FOR CHE(GERMAN)		√
(1-1)	LF1347010	1	OWNER'S MANUAL, FAX-T82/T84 FOR CHE		√
(1-1)	LE4391012	1	OWNER'S MANUAL, FAX-T72/T74/T76/T7Plus FOR FIN		√
(1-1)	LF1347012	1	OWNER'S MANUAL, FAX-T84/T86 FOR FIN		√
(1-1)	LE4391013	1	OWNER'S MANUAL, FAX-T72/T74/T76/T7Plus FOR DEN		√
(1-1)	LF1347013	1	OWNER'S MANUAL, FAX-T84/T86 FOR DEN		√
(1-1)	LE4391015	1	OWNER'S MANUAL, FAX-T72/T74/T76/T7Plus FOR SPA		√
(1-1)	LF1347015	1	OWNER'S MANUAL, FAX-T82/T84/T86 FOR SPA		√
(1-1)	LE4391016	1	OWNER'S MANUAL, FAX-T72/T74/T76/T7Plus FOR ITA		√
(1-1)	LF1347016	1	OWNER'S MANUAL, FAX-T84/T86 FOR ITA		√
(1-1)	LF1347018	1	OWNER'S MANUAL, FAX-T84/T86 FOR POR		√

LIST8 (PRINTED MATERIAL)

REF No.	CODE	Q'TY	DESCRIPTION	REMARKS	ORDER TO BIUK
(1-1)	LE4391026	1	OWNER'S MANUAL, FAX-T72/T74/T76/T7Plus FOR SWE		√
(1-1)	LF1347026	1	OWNER'S MANUAL, FAX-T84/T86 FOR SWE		√
(1-1)	LE4391039	1	OWNER'S MANUAL, FAX-T72/T74/T76/T7Plus FOR POL		√
(1-1)	LF1347039	1	OWNER'S MANUAL, FAX-T84/T86 FOR POL		√
(1-2)	LE4135001	1	ADDRESS LABEL		
(1-3)	LF1416001	1	QUICK SETUP GUIDE, FAX-T82 FOR GER/AUS		√
(1-3)	LF1418001	1	QUICK SETUP GUIDE, FAX-T82/84/T86 FOR FRA		√
(1-3)	LF1459001	1	QUICK SETUP GUIDE, FAX-T82/T84 FOR CHE<GERMAN>		√
(1-3)	LF1460001	1	QUICK SETUP GUIDE, FAX-T82/T84/T86 FOR BEL/CHE<FRENCH>		√
(1-3)	LF1420001	1	QUICK SETUP GUIDE, FAX-T84 FOR GER/AUS		√
(1-3)	LF1423001	1	QUICK SETUP GUIDE, FAX-T84/T86 FOR UK/IRE/GNR		√
(1-3)	LF1465001	1	QUICK SETUP GUIDE, FAX-T84 FOR NOR		√
(1-3)	LF1467001	1	QUICK SETUP GUIDE, FAX-T84/T86 FOR BEL		√
(1-3)	LF1470001	1	QUICK SETUP GUIDE, FAX-T84/T86 FOR NLD		√
(1-3)	LF1474001	1	QUICK SETUP GUIDE, FAX-T84/T86 FOR FIN		√
(1-3)	LF1478001	1	QUICK SETUP GUIDE, FAX-T84/T86 FOR DEN		√
(1-3)	LF1462001	1	QUICK SETUP GUIDE, FAX-T84/T86 FOR SPA		√
(1-3)	LF1482001	1	QUICK SETUP GUIDE, FAX-T84/T86 FOR ITA		√
(1-3)	LF1429001	1	QUICK SETUP GUIDE, FAX-T84/T86 FOR POR		√
(1-3)	LF1485001	1	QUICK SETUP GUIDE, FAX-T84/T86 FOR SWE		√
(1-3)	LF1487001	1	QUICK SETUP GUIDE, FAX-T84/T86 FOR CZE/HUN		√
(1-3)	LF1490001	1	QUICK SETUP GUIDE, FAX-T84/T86 FOR POL		√
(1-3)	LF1431001	1	QUICK SETUP GUIDE, FAX-T86 FOR GER/AUS		√
(2)	UF8263001	1	TEST CHART-027		

LIST9 (PACKING)

REF No.	CODE	QTY	DESCRIPTION	REMARKS	ORDER TO BIUK
(1)	LE4334001	1	CARTON, BROTHER, FAX-T72		√
(1)	LE4387001	1	CARTON, BROTHER, FAX-T74		√
(1)	LF1169001	1	CARTON, BROTHER, FAX-T74(WHITE) FOR NOR		√
(1)	LF1172001	1	CARTON, BROTHER, FAX-T74(WHITE) FOR SWE		√
(1)	LE4402001	1	CARTON, BROTHER, FAX-T76		√
(1)	LE5623001	1	CARTON, BROTHER, FAX-T7Plus		√
(1)	LF1345001	1	CARTON, BROTHER, FAX-T82		√
(1)	LF1355001	1	CARTON, BROTHER, FAX-T84		√
(1)	LF1360001	1	CARTON, BROTHER, FAX-T86		√
(2)	LE4137001	1	STYROFOAM ASSY		
(3)	UE1172001	1	BAG, 570X650H		
(4)	----		NOT USED		
(5)	LE4219001	2	PANEL CUSHION		
(6)	LF1001001	1	PROTECTION SHEET, FOR GER/FRA/NOR/BEL/NLD/IRE/FIN/DEN/AUS/SPA/ITA/ZAF/ SWE/CZE/GNR		√
(6)	LF1002001	1	PROTECTION SHEET, FOR UK		√

brother®