



FACSIMILE EQUIPMENT

PARTS REFERENCE LIST

MODEL: FAX910Z / 917 / 920Z / 921Z

**(For Germany / United Kingdom /
France / Netherlands)**

© Copyright Brother 1999

All rights reserved

No part of this publication may be reproduced in any form or by any means without permission in writing from the publisher.

Specifications are subject to change without prior notice.

NOTES FOR USING THIS PARTS REFERENCE LIST

1. In the case of ordering parts, it needs mentioning the following items:

- (1) Code
- (2) Q' ty
- (3) Description

Note: No orders without Parts Code or Tool No. can be accepted.

[Example]

REF.NO.	CODE	Q' TY	DESCRIPTION	REMARKS

2. Parts change will be informed by the technical information.

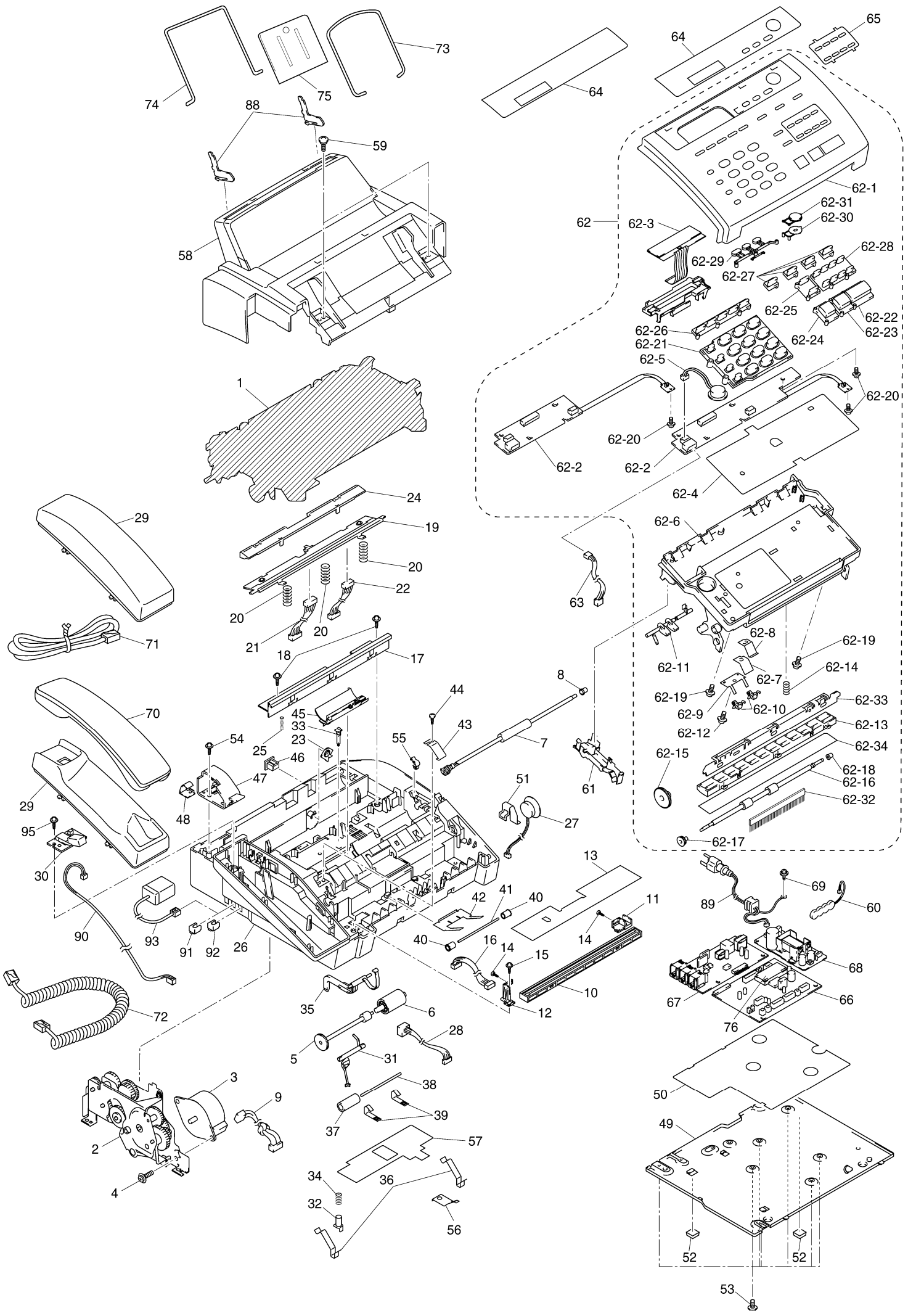
COUNTRIES

GERMANY ----- GER

UNITED KINGDOM ----- UK

FRANCE ----- FRA

NETHERLANDS ----- NLD



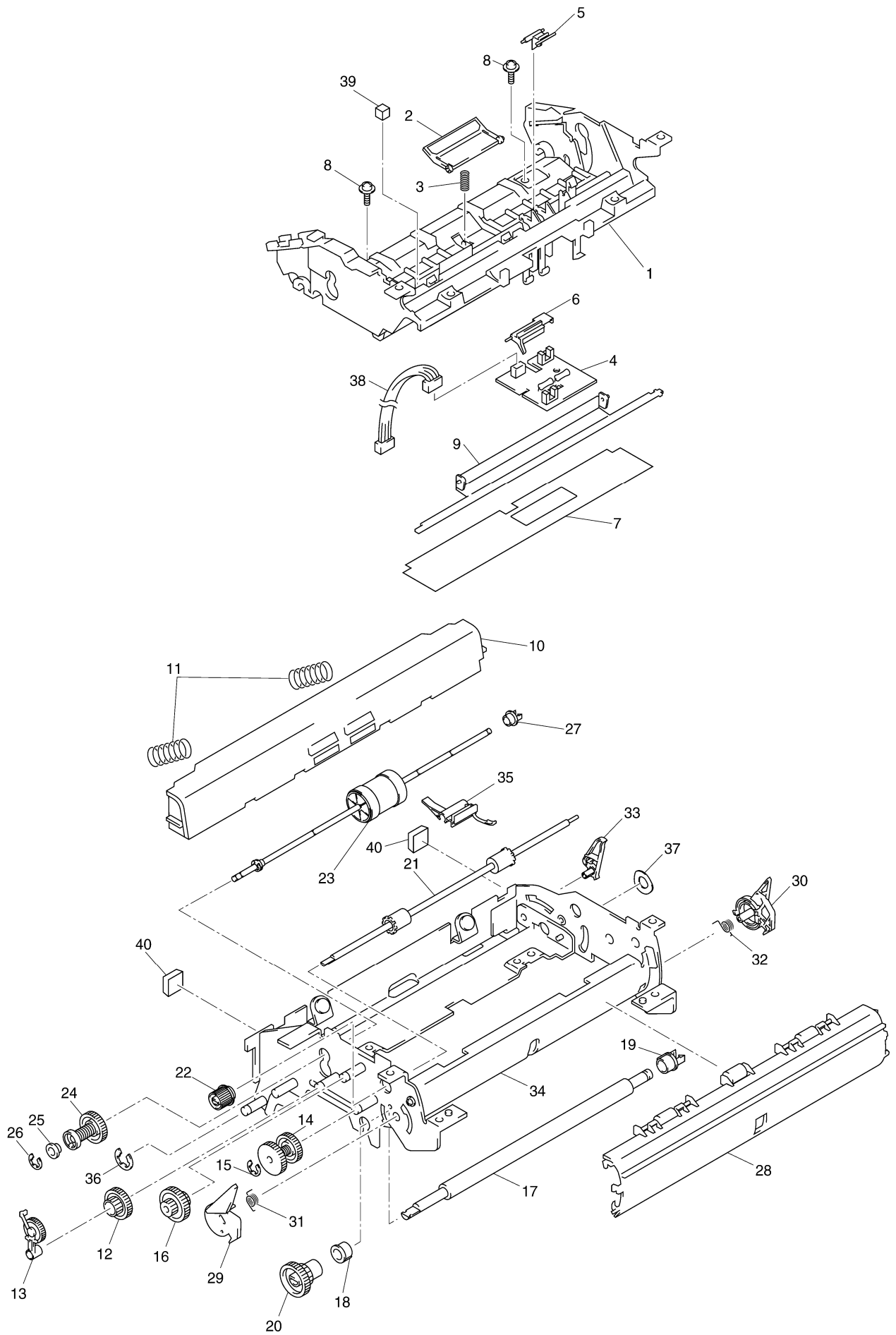
REF.NO.	CODE	Q'TY	DESCRIPTION	REMARKS
1			PLATEN FRAME ATTACHMENT	
2	UF9650001	1	DRIVE UNIT	
3	LE0676001	1	MOTOR	
4	U09759001	1	SCREW, PAN (WASHER) M3X6 DB	
5	UF9693001	1	SEPARATION ROLLER GEAR	
6	UF6613001	1	SEPARATION ROLLER	
7	UU0244001	1	LF ROLLER ASSY	
8	UF9949001	1	BEARING, EJECTION ROLLER	
9	LG2396001	1	MOTOR HARNESS	
10	LE5481001	1	CIS UNIT (INCLUDING 3 SPRINGS(62-14))	
11	UF9814001	1	CIS HOLDER, R	
12	UF9815001	1	CIS HOLDER, L	
13	UF9816001	1	CIS FILM	
14	085310815	2	TAPTITE, BIND B M3X8	
15	UU0231001	1	TAPTITE, PAN B M3X8	
16	UG6792001	1	CIS-MAIN HARNESS	
17	LE0830001	1	RECORDER FRAME	
18	087310815	2	TAPTITE, CUP B M3X8	
19	LE5406001	1	RECORDING HEAD ASSY	
20	UF8072001	3	HEAD SPRING, COMPRESSION	
21	UG6707001	1	MAIN-HEAD HARNESS	
22	UG6607001	1	HEAD-POWER HARNESS	
23	UF9855001	1	HEAD ADJUSTER	
24	UF9856001	1	HEAD PROTECTOR	
25	UF9857001	1	GROUNDING SPRING	
26	UF9800001	1	MAIN FRAME, GRAY(1395), FAX920Z(GRAY) FOR UK/FRA, FAX910Z/917	
26	UF9800003	1	MAIN FRAME, WHITE(1138), FAX920Z(WHITE) FOR UK, FAX921Z	
27	UG6670001	1	SPEAKER	
28	UG6698001	1	PC I/F MODULAR HARNESS, FAX910Z/920Z/921Z	
29	UF9801001	1	HANDSET MOUNT, GRAY(1395), FAX920Z(GRAY) FOR UK/FRA, FAX917	
29	UF9801003	1	HANDSET MOUNT, WHITE(1138), FAX920Z(WHITE) FOR UK, FAX921Z	
29	UF9983001	1	DUMMY MOUNT, GRAY(1395), FAX910Z	
30	UG6615001	1	HOOK SWITCH PCB, FAX917/920Z/921Z	
31	UF9802001	1	DOCUMENT REAR SENSOR ACTUATOR	
32	UF9803001	1	COVER SENSOR ACTUATOR A	
33	UF9817001	1	COVER SENSOR ACTUATOR B	
34	UF9818001	1	COVER SENSOR ACTUATOR SPRING	
35	UF9804001	1	RIBBON SENSOR ACTUATOR	
36	UF9806001	2	PANEL-LOCK LEAF SPRING	
37	UU0021001	1	PINCH ROLLER	
38	UF6267000	1	ROLLER SHAFT	
39	UF9807001	2	PINCH ROLLER SPRING	
40	UL6244002	2	DOCUMENT PRESSURE ROLLER	
41	UF6267000	1	ROLLER SHAFT	
42	UF9808001	1	DOCUMENT PRESSURE ROLLER SPRING	
43	UU0074001	1	LF LEAF SPRING	
44	085310815	1	TAPTITE, BIND B M3X8	
45	UF9809004	1	ROM COVER, GRAY(1267)	
46	UF4759000	1	PC I/F COVER, NATURAL, FAX920Z(WHITE) FOR UK, FAX921Z	
46	UF4759002	1	PC I/F COVER, BLACK, FAX920Z(GRAY) FOR UK/FRA, FAX910Z	
46	LE0542002	1	PC I/F BLIND FILM, FAX917	

REF.NO.	CODE	Q'TY	DESCRIPTION	REMARKS
47	UF9810001	1	COVER STOPPER	
48	----		NOT USED	
49	UF9822001	1	BOTTOM PLATE	
50	UF9846001	1	INSULATION SHEET	
51	UF9847001	1	SPEAKER SUPPORT SPRING	
52	UF6761001	2	RUBBER FOOT	
53	087310815	7	TAPTITE, CUP B M3X8	
54	087310815	1	TAPTITE, CUP B M3X8	
55	UF9812001	1	RIBBON SHAFT STOPPER	
56	UF9819001	1	RIBBON SHAFT STOPPER SPRING	
57	UF9824001	1	HARNES GUIDE FILM	
58	UF9848001	1	RECORDING PAPER COVER ASSY, GRAY(1395), FAX920Z(GRAY) FOR UK/FRA, FAX910Z/917	
58	UF9848003	1	RECORDING PAPER COVER ASSY, WHITE(1138), FAX920Z(WHITE) FOR UK, FAX921Z	
59	UF9823001	2	SHOULDER SCREW	
60	----		NOT USED	
61	UF9963001	1	HARNES HOLDER	
62	UF9884001	1	CONTROL PANEL ASSY, GRAY(1395), FAX910Z	
62	UF9914001	1	CONTROL PANEL ASSY, GRAY(1395), FAX917	
62	UF9915001	1	CONTROL PANEL ASSY, GRAY(1395), FAX920Z(GRAY) FOR UK	
62	UF9916001	1	CONTROL PANEL ASSY, GRAY(1395), FAX-920Z FOR FRA	
62	UF9919003	1	CONTROL PANEL ASSY, WHITE(1138), FAX920Z(WHITE) FOR UK, FAX921Z	
62-1	UU0141001	1	CONTROL PANEL, GRAY(1395), FAZ920Z(GRAY) FOR UK/FRA, FAX910Z/917	
62-1	UU0199003	1	CONTROL PANEL, GRAY(1395), FAX920Z(WHITE) FOR UK, FAX921Z	
62-2	UG6619001	1	PANEL PCB ASSY	
62-3	LG2351001	1	LCD	
62-4	UG6624001	1	FPC KEY	
62-5	----		NOT USED	
62-6	UF9775001	1	PANEL REAR COVER	
62-7	UU0145001	1	SEPARATION RUBBER	
62-8	UF9777001	1	SPRING PLATE B	
62-9	UF9778001	1	SPRING PLATE A	
62-10	UF9995001	2	SPRING COVER	
62-11	UF9779001	1	DOCUMENT FRONT SENSOR ACTUATOR	
62-12	UF6116001	1	TAPTITE, PAN (WASHER) B M3X6	
62-13	UF9788001	1	DOCUMENT PRESSURE BAR	
62-14	UF9781001	3	DOCUMENT PRESSURE BAR SPRING	
62-15	UF9782001	1	GEAR 37	
62-16	UF9783001	1	DOCUMENT EJECTION ROLLER	
62-17	UF9787001	1	DOCUMENT EJECTION ROLLER GEAR	
62-18	UF9949001	1	BEARING, EJECTION ROLLER	
62-19	087310815	2	TAPTITE, CUP B M3X8	
62-20	087270615	1	TAPTITE, CUP B M2.6X6	
62-21	UF4393010	1	KEY,TEN, GRAY(1395), FAX920Z(GRAY) FOR UK/FRA, FAX910Z/917	
62-21	UF4393003	1	KEY,TEN, WHITE(1138), FAX920Z(WHITE) FOR UK, FAX921Z	
62-22	UF8172001	1	KEY,START, BLUE(6189), FAX920Z(GRAY) FOR UK/FRA, FAX910Z/917	
62-22	UF8172004	1	KEY,START, BLUE(6238), FAX920Z(WHITE) FOR UK, FAX921Z	
62-23	UF8173001	1	KEY,STOP, ORANGE(3159), FAX920Z(GRAY) FOR UK/FRA, FAX910Z/917	
62-23	UF8173002	1	KEY,STOP, ORANGE(3172), FAX920Z(WHITE) FOR UK, FAX921Z	

REF.NO.	CODE	Q'TY	DESCRIPTION	REMARKS
62-24	UF8174001	1	KEY,COPY, GRAY(1267), FAX920Z(GRAY) FOR UK/FRA, FAX910Z/917	
62-24	UF8174003	1	KEY,COPY, WHITE(1138), FAX920Z(WHITE) FOR UK, FAX921Z	
62-25	UF8179001	1	KEY,COPY MODE, GRAY(1395), FAX920Z(GRAY) FOR UK/FRA, FAX910Z/917	
62-25	UF8179004	1	KEY,COPY MODE, WHITE(1138), FAX920Z(WHITE) FOR UK, FAX921Z	
62-26	UF9118003	1	KEY,MODE, GRAY(1395), FAX920Z(GRAY) FOR UK/FRA, FAX910Z/917	
62-26	UF9118001	1	KEY,MODE, WHITE(1138), FAX920Z(WHITE) FOR UK, FAX921Z	
62-27	UF5581007	4	KEY,FUNCTION, GRAY(1395), FAX920Z(GRAY) FOR UK/FRA, FAX910Z/917	
62-27	UF5581005	4	KEY,FUNCTION, WHITE(1138), FAX920Z(WHITE) FOR UK, FAX921Z	
62-28	UF9764001	1	KEY,ONE TOUCH, GRAY(1395), FAX920Z(GRAY) FOR UK/FRA, FAX910Z/917	
62-28	UF9764003	1	KEY,ONE TOUCH, WHITE(1138), FAX920Z(WHITE) FOR UK, FAX921Z	
62-29	----		NOT USED	
62-30	----		NOT USED	
62-31	----		NOT USED	
62-32	UU0243001	1	ANTI STATIC BRUSH	
62-33	UF9780001	1	PRESSURE BAR SUPPORT	
62-34	UF9790001	1	WHITE FILM	
63	UG6625001	1	PANEL-MAIN HARNESS	
64	UF9888001	1	LCD PLATE, FAX910Z	
64	LE0657001	1	LCD PLATE, FAX917	
64	UF9967004	1	LCD PLATE, FAX920Z	
64	UU0228008	1	LCD PLATE, FAX921Z	
65	UU0518001	1	ADDRESS LABEL	
66	LG2430021	1	MAIN PCB SUB ASSY,	
67	LG3285003	1	NCU PCB ASSY, FAX910Z/917	
67	LG2150004	1	NCU PCB ASSY, FAX920Z FOR UK	
67	LG3285055	1	NCU PCB ASSY, FAX920Z FOR FRA	
67	LG2150009	1	NCU PCB ASSY, FAX921Z	
(67-1)	LG2180001	1	SURGE ABSORBER:RA242MSS (LOCATION:A1)	
(67-2)	UG6775000	1	ARRESTER:RA311 (LOCATION:A2)	
(67-3)	UG6798000	2	PHOTO COUPLER:TLP621G (LOCATION:PH1,PH4)	
(67-4)	643949000	1	PHOTO COUPLER:TLP627 (LOCATION:PH2)	
(67-4)	UG6702000	1	PHOTO COUPLER:PS2533 (LOCATION:PH2)	
(67-5)	UG6797000	1	PHOTO COUPLER:TLP620G (LOCATION:PH3)	
(67-6)	LG2193001	1	PHOTO COUPLER:PS2565 (LOCATION:PH5)	
68	UG6691001	1	POWER SUPPLY PCB ASSY	
69	UF4444001	1	SCREW, PAN (WASHER) M4X6 DB	
70	LE5498001	1	HANDSET, GRAY(1395), FAX920Z(GRAY) FOR UK/FRA, FAX917	
70	LE5498003	1	HANDSET, WHITE(1138), FAX921Z	
71	UG3625001	1	TELEPHONE LINE CORD, FAX910Z/917	
71	UG3626001	1	TELEPHONE LINE CORD, FAX920Z FOR UK	
71	UG3627001	1	TELEPHONE LINE CORD, FAX920Z FOR FRA	
71	UG3631001	1	TELEPHONE LINE CORD, FAX921Z	
72	UG3543001	1	HANDSET CURLED CORD, GRAY(1395), FAX920Z(GRAY) FOR UK/FRA, FAX917	
72	UG3543002	1	HANDSET CURLED CORD, WHITE(1397), FAX920Z(WHITE) FOR UK, FAX921Z	
73	UF5607000	1	DOCUMENT WIRE EXTENSION	
74	UF9869001	1	PAPER WIRE EXTENSION	

REF.NO.	CODE	Q'TY	DESCRIPTION	REMARKS
75	UF9987001	1	PAPER SUPPORT	
76	LG0081003	1	MTPROM:FAX910Z	
76	LG0065003	1	OTPROM:FAX917	
76	LG0086009	1	OTPROM:FAX921Z	
76	LG0084004	1	MTPROM:FAX920 FOR UK	
76	LG0084005	1	MTPROM:FAX920 FOR FRA	
(77)	UF9860001	1	RIBBON CASSETTE UNIT (30M)	
(77)	LE0710001	1	RIBBON CASSETTE UNIT (10M)	
(77-1)	UF8064001	1	STARTER RIBBON (30M)	
(77-1)	LE0659001	1	STARTER RIBBON (10M)	
(77-2)	UF9862001	1	RIBBON CASSETTE CASE	
(78)	UU0456001	1	HEAD PROTECTION SHEET	
(79)	----		NOT USED	
(80)	----		NOT USED	
(81)	LE0583003	1	OWNER'S MANUAL ASSY, FAX910Z (INCLUDING OWNER'S MANUAL, WARRANTY CARD EUR, SPPED DIAL LABEL, DOCUMENT WIRE EXTENSION(73), PAPER WIRE EXTENSION(74), PAPER SUPPORT(75))	
(81)	LE0587003	1	OWNER'S MANUAL ASSY, FAX917 (INCLUDING OWNER'S MANUAL, WARRANTY CARD EUR, SPPED DIAL LABEL, DOCUMENT WIRE EXTENSION(73), PAPER WIRE EXTENSION(74), PAPER SUPPORT(75))	
(81)	LE0591004	1	OWNER'S MANUAL ASSY, FAX920Z FOR UK (INCLUDING OWNER'S MANUAL, WARRANTY CARD EUR, WARRANTY CARD UK-A, WARRANTY CARD UK-B, DOCUMENT WIRE EXTENSION(73), PAPER WIRE EXTENSION(74), DISTINCTIVE RING SHEET, PAPER SUPPORT(75))	
(81)	LE0594005	1	OWNER'S MANUAL ASSY, FAX920Z FOR FRA (INCLUDING OWNER'S MANUAL, WARRANTY CARD EUR, WARRANTY CARD FRA, DOCUMENT WIRE EXTENSION(73), PAPER WIRE EXTENSION(74), PAPER SUPPORT(75))	
(81)	LE0596009	1	OWNER'S MANUAL ASSY, FAX921Z (INCLUDING OWNER'S MANUAL, WARRANTY CARD EUR, PAPER WIRE EXTENSION(73), PAPER WIRE EXTENSION(74), PAPER SUPPORT(75))	
(81-1)	LE0584003	1	OWNER'S MANUAL, FAX910Z	
(81-1)	LE0588003	1	OWNER'S MANUAL, FAX917	
(81-1)	LE0592005	1	OWNER'S MANUAL, FAX920Z FOR UK	
(81-1)	LE0592005	1	OWNER'S MANUAL, FAX920Z FOR FRA	
(81-1)	LE0592009	1	OWNER'S MANUAL, FAX-921	
(81-2)	----		NOT USED	
(81-3)	----		NOT USED	
(82)	UF8263001	1	TEST CHART TC-027	
(83)	----		NOT USED	
(84)	LE0585001	1	CARTON, BROTHER, FAX910Z	
(84)	LE0589001	1	CARTON, BROTHER, FAX917	
(84)	LE0593001	1	CARTON, BROTHER, FAX920Z	
(84)	LE0597001	1	CARTON, BROTHER, FAX921Z	
(85)	LE0212001	1	STYROFORM	
(86)	UE1172001	1	BAG, 570X650H	
(86)	UE1172002	1	BAG, 570X650H, ONLY FOR FRA	
(87)	----		NOT USED	
88	UF9872001	2	PAPER GUIDE	
89	UF5923001	1	AC CORD ASSY, FAX920Z FOR FRA, FAX910Z/917/921Z	
89	UF5922001	1	AC CORD ASSY, FAX920Z FOR UK	
90	UG6618001	1	MAIN-HOOK SWITCH HARNESS, FAX917/920Z/921Z	

REF.NO.	CODE	Q'TY	DESCRIPTION	REMARKS
91	UF5745000	1	HIDE COVER, EXT	
92	UF7095000	1	HIDE COVER, H/S, FAX910Z	
93	----		NOT USED	
(94)	UU0405001	1	SPPED DIAL LABEL FAX910Z	
95	087310815	1	TAPTITE, CUP B M3X8	
(96)	048050356	1	RETAINING RING, E5	



1. PLATEN FRAME ATTACHMENT

REF.NO.	CODE	QTY	DESCRIPTION	REMARKS
1	UF9736001	1	PAPER FEED CHUTE	
2	UF9737001	1	SEPARATION PAD	
3	UF9740001	1	SEPARATION PAD SPRING	
4	LG2449002	1	SENSOR PCB	
5	UF9741001	1	PAPER EDGE SENSOR ACTUATOR	
6	-----		NOT USED	
7	UF9744001	1	CHUTE FILM	
8	U24014001	2	TAPTITE, CUP S M3.0X6	
9	UF9750001	1	PRESSURE PLATE LINK	
10	UF9746001	1	PRESSURE PLATE	
11	UF9745001	2	PRESSURE PLATE SPRING	
12	UF9712001	1	GEAR 24/28, SUN GEAR	
13	UF9713001	1	ARM P ASSY	
14	UF9715001	1	CLUTCH GEAR 37 ASSY	
15	048030346	1	RETAINING RING, E3	
16	UF9719001	1	GEAR 19/38	
17	UF9720001	1	PLATEN	
18	UF9722001	1	PLATEN SHAFT BUSHING, L	
19	UF9723001	1	PLATEN SHAFT BUSHING, R	
20	UF9724001	1	GEAR 25/27	
21	UF9725001	1	PAPER EJECTION ROLLER	
22	UF9727001	1	PAPER EJECTION ROLLER GEAR	
23	UF9728001	1	PAPER FEED ROLLER ASSY	
24	UF9730001	1	GEAR 43 ASSY	
25	UF9734001	1	COLLAR STOPPER	
26	048040346	1	RETAINING RING, E4	
27	UF0026001	1	PAWLED BUSHING	
28	UF9751001	1	CHUTE B ASSY	
29	UF9755001	1	LOCK LEVER L, BLUE(6155)	
30	UF9756001	1	LOCK LEVER R, BLUE(6155)	
31	UF9757001	1	LOCK LEVER SPRING, L	
32	UF9758001	1	LOCK LEVER SPRING, R	
33	UF9792001	1	PRESSURE PLATE RELEASE CAM	
34	UF9701001	1	PLATEN FRAME	
35	UF9873001	1	FRONT COVER SENSING ACTUATOR	
36	048050346	1	RETAINING RING, E5	
37	UU0078001	1	SPRING WASHER	
38	UG6794001	1	MAIN-SENSOR HARNESS	
39	-----		NOT USED	
40	UF6761001	2	RUBBER FOOT	

brother®