



COPYBOARD

PARTS REFERENCE LIST

MODEL: CP1800/CP2000

(For U.S.A.)

CB200

(Canada /

Germany / United Kingdom / Switzerland)

© Copyright Brother 1999

All rights reserved

No part of this publication may be reproduced in any form
or by any means without permission in writing from the
publisher.

Specifications are subject to change without prior notice.

NOTES FOR USING THIS PARTS REFERENCE LIST

1. In the case of ordering parts, it needs mentioning the following items:

- (1) Code
- (2) Q' ty
- (3) Description

Note: No orders without Parts Code or Tool No. can be accepted.

[Example]

(1)

(2)

(3)

REF.NO.	CODE	Q' TY	DESCRIPTION	REMARKS

2. Parts change will be informed by the technical information.

COUNTRIES

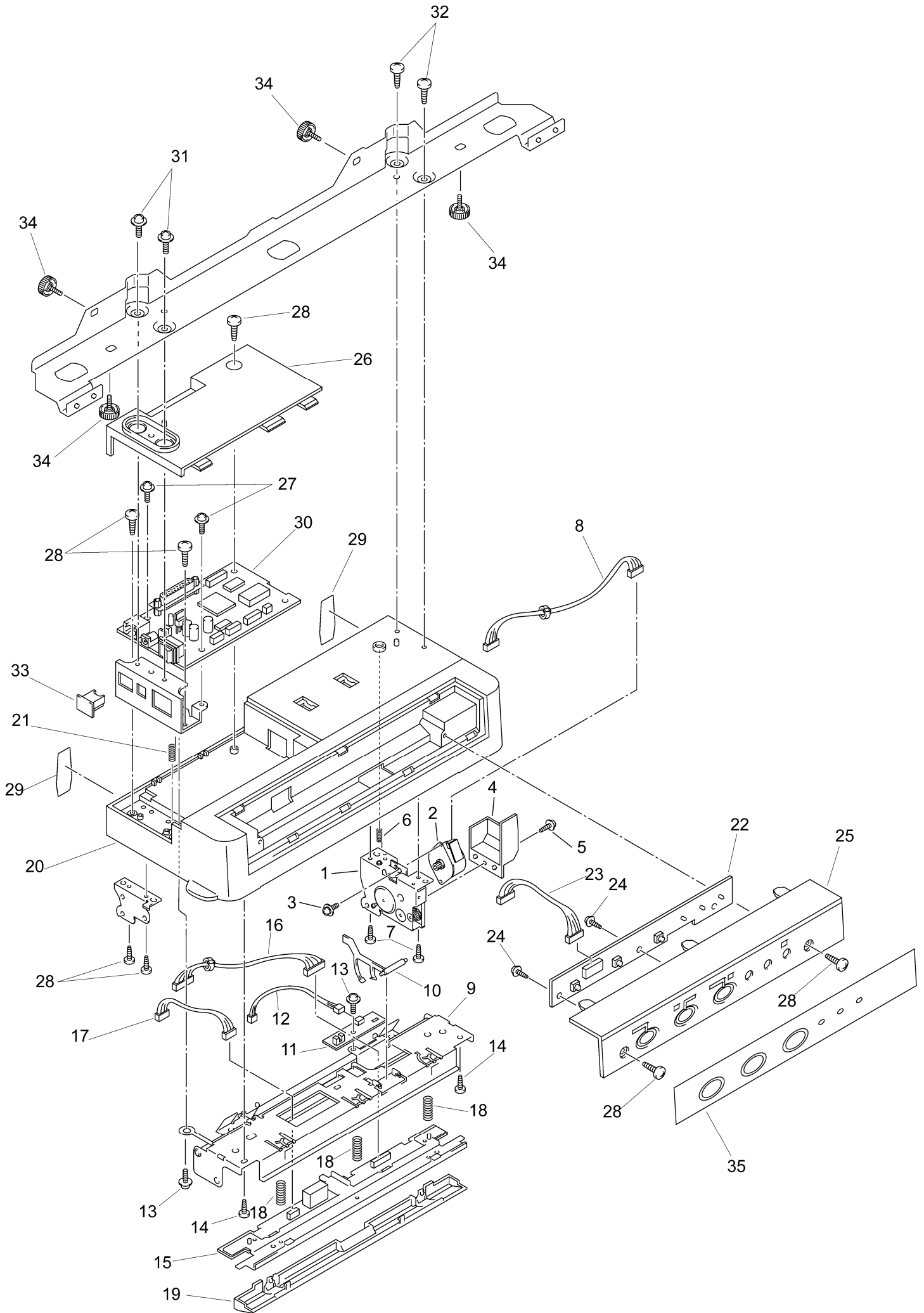
USA ----- US

Canada ----- CAN

Germany ----- GER

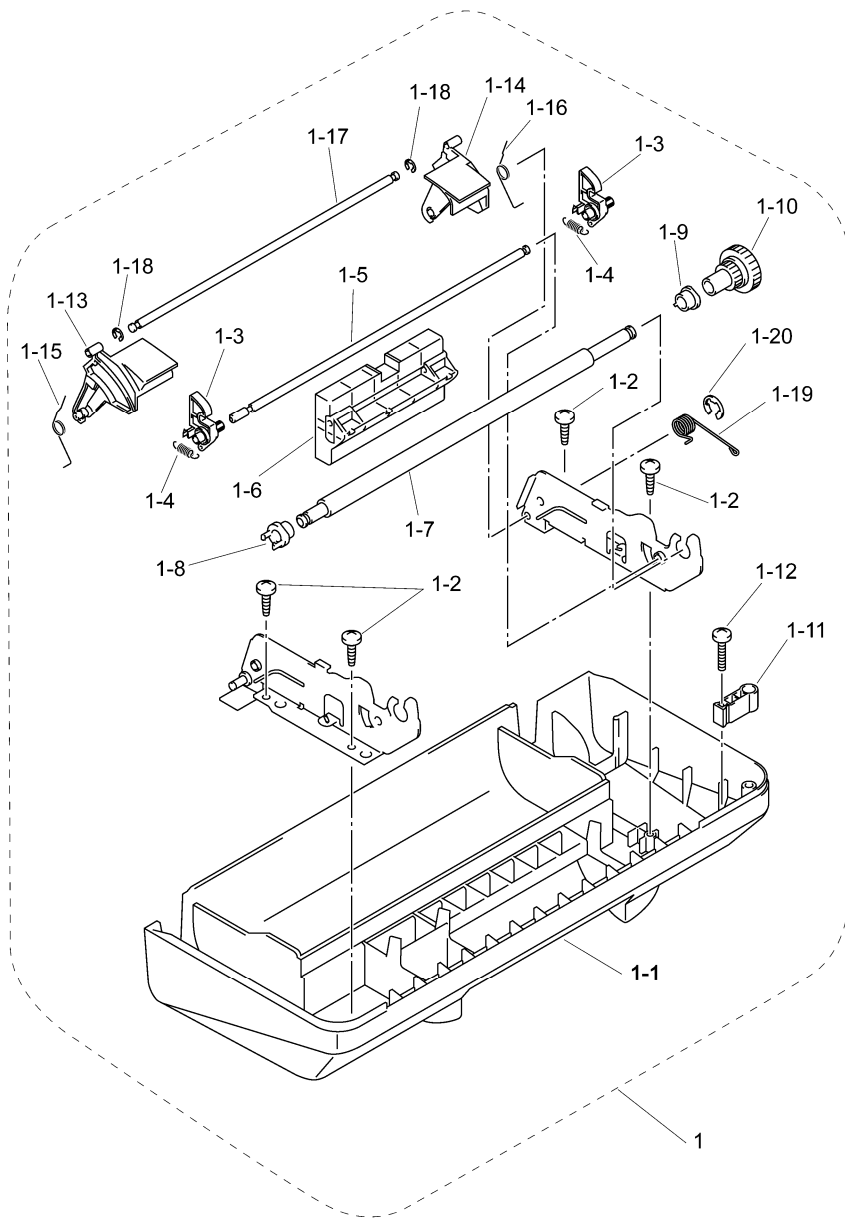
United Kingdom ----- UK

Switzerland ----- CHE



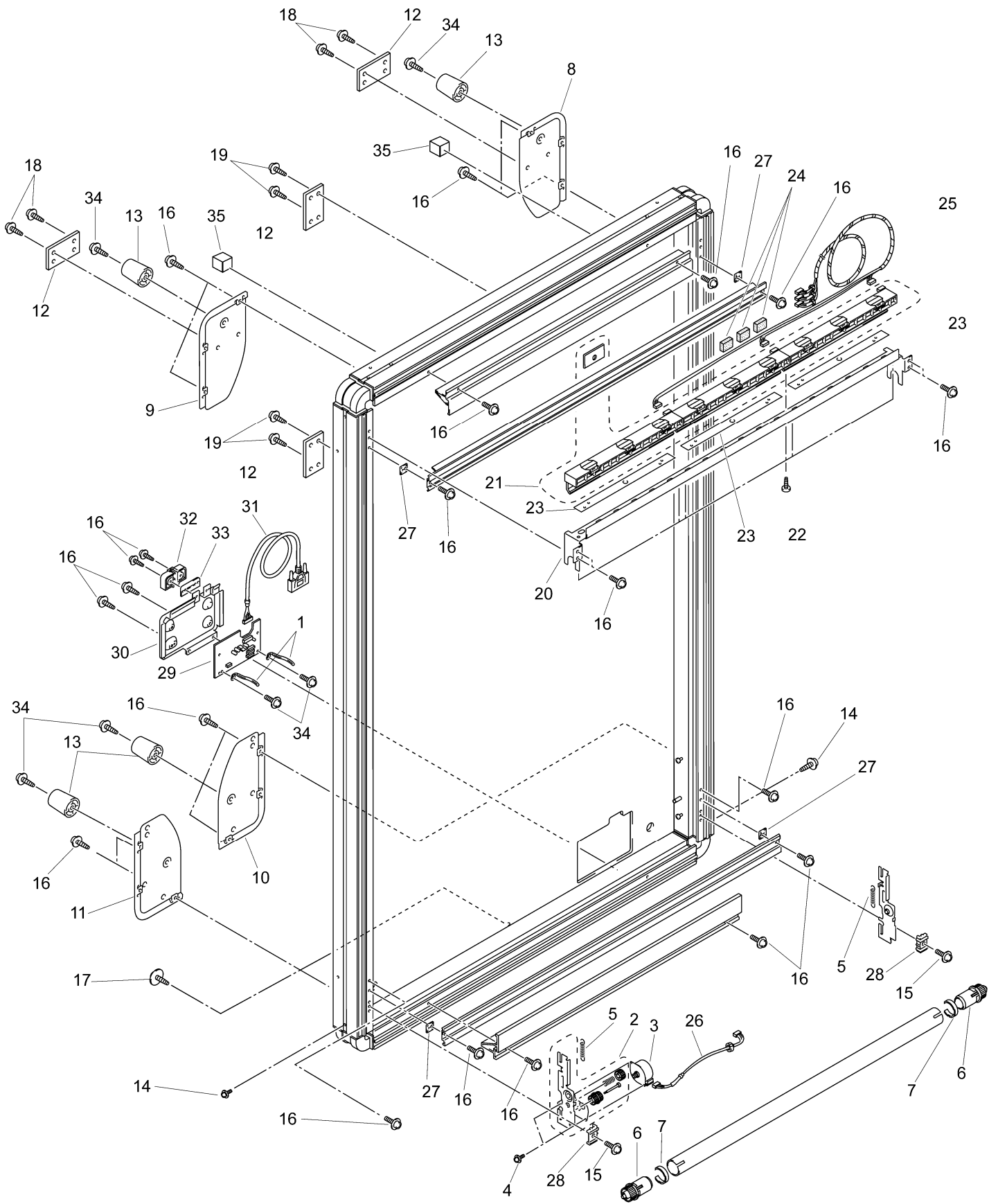
List1_PRINTER_1

REF.NO.	CODE	Q'TY	DESCRIPTION	REMARKS
1	LE2592001	1	DRIVE UNIT	
2	LE2789001	1	PRINTER MOTOR	
3	U09759001	1	SCREW, PAN (S/P WASHER) M3X6	
4	LE2601001	1	MOTOR COVER	
5	U24014001	1	TAPTITE, CUP S M3.0X6	
6	LE2613001	1	GROUNDING SPRING R	
7	085411215	2	SCREW, BIND B TITE 4X12	
8	LG2253001	1	PRINTER MOTOR HARNESS	
9	LE2873001	1	RECORDER FRAME ASSY	
10	LE2605001	1	SENSOR ACTUATOR	
11	LG2254001	1	PE/COVER SENSOR PCB	
12	LG2256001	1	SENSOR HARNESS	
13	U24014001	2	TAPTITE, CUP S M3.0X6	
14	085411215	2	SCREW, BIND B TITE 4X12	
15	UF9852002	1	RECORDING HEAD ASSY	
16	LG2258001	1	RECORDING HEAD SIGNAL HARNESS	
17	LG2259001	1	RECORDING HEAD POWER HARNESS	
18	UF8072001	3	HEAD SPRING	
19	UF9856001	1	HEAD PROTECTOR	
20	LE2609001	1	PRINTER BASE COVER	
21	LE2858001	1	GROUNDING SPRING L	
22	LG2260001	1	CONTROL PANEL PCB	
23	LG2262001	1	PANEL HARNESS	
24	087310815	2	TAPTITE, CUP B M3X8	
25	LE2614001	1	PANEL COVER	
26	LE2617001	1	SUB COVER	
27	U24014001	2	TAPTITE, CUP S M3.0X6	
28	085411215	7	SCREW, BIND B TITE 4X12	
29	LE2636001	2	BLIND FILM	
30	LG2524001	1	MAIN PCB ASSY	
31	U24014001	2	TAPTITE, CUP S M3.0X6	
32	085411215	2	SCREW, BIND B TITE 4X12	
33	UF4759002	1	PC INTERFACE COVER	
34	LE2584001	4	DECORATIVE SCREW, CP2000/CB200	
34	LE2976001	4	SCREW, CUP M4X14, CP1800	
35	LE2615001	1	PANEL SHEET, CP2000 FOR US	
35	LE3016001	1	PANEL SHEET, CB200 FOR CAN	
35	LE3098001	1	PANEL SHEET, CP1800 FOR US	
35	LE2499003	1	PANEL SHEET, CB200 FOR GER/UK/CHE	
(36)	LE3451001	1	HEAD PROTECTION SHEET FOR US	
(36)	LE2641001	1	HEAD PROTECTION SHEET EXCEPT FOR US	



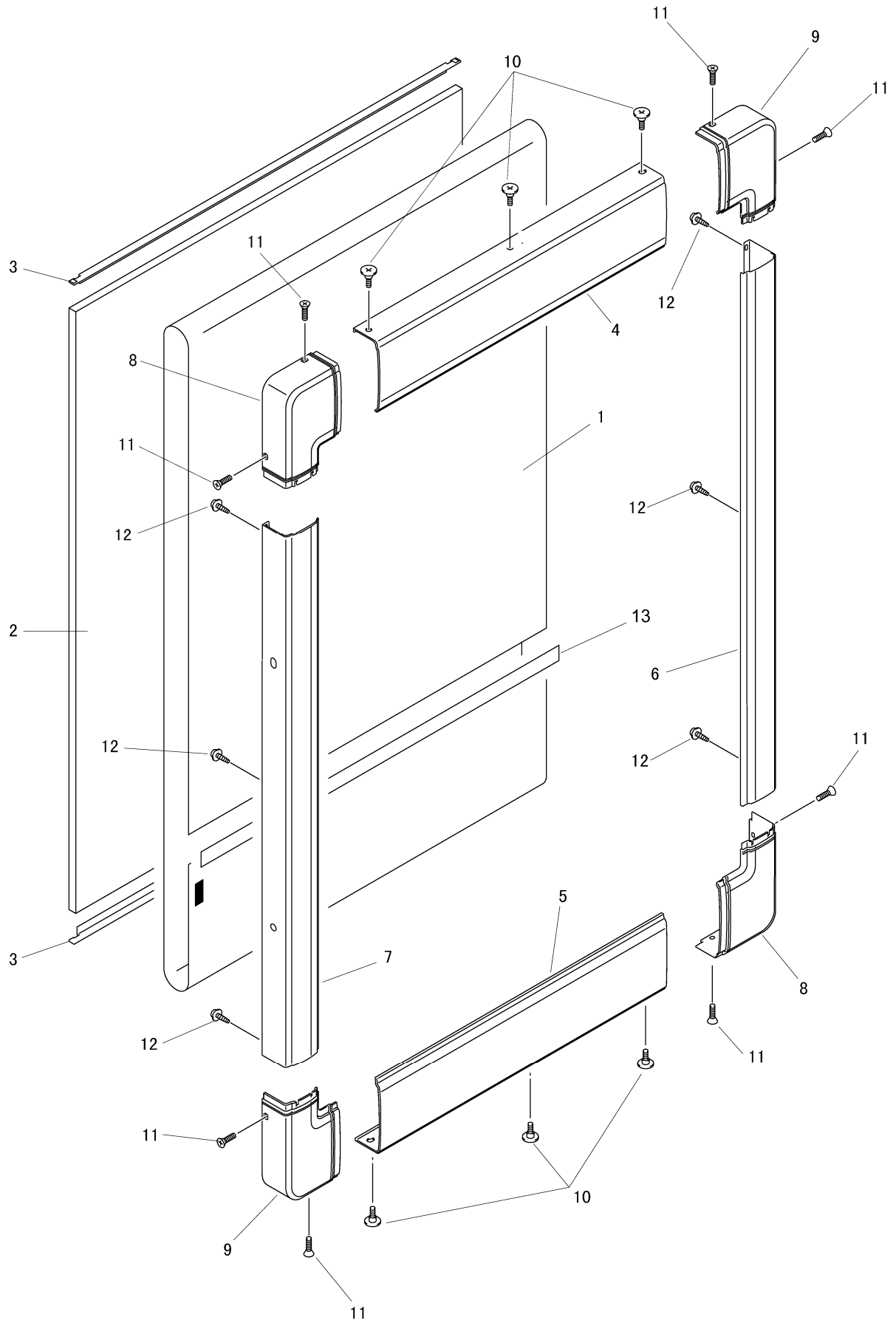
List2_PRINTER_2

REF.NO.	CODE	Q'TY	DESCRIPTION	REMARKS
1	LE2618001	1	PAPER COMPARTMENT COVER ASSY	
1-1	LE2619001	1	PAPER COMPARTMENT COVER	
1-2	085411215	4	SCREW, BIND B TITE 4X12	
1-3	LE2626001	2	LOCK LEVER	
1-4	LE2627001	2	LOCK LEVER SPRING	
1-5	LE2628001	1	LOCK SHAFT	
1-6	LE2629001	1	PAPER COMPARTMENT LATCH	
1-7	UF9720001	1	PLATEN	
1-8	UF9722001	1	PAWLED BUSING L	
1-9	UF9723001	1	BUSHING R	
1-10	UF9724001	1	PLATEN GEAR	
1-11	LE2630001	1	PLATEN STOPPER	
1-12	083412015	1	TAPTITE, PAN B 4X20	
1-13	LE2631001	1	PAPER STOPPER L	
1-14	LE2632001	1	PAPER STOPPER R	
1-15	LE2633001	1	STOPPER SPRING L	
1-16	LE2634001	1	STOPPER SPRING R	
1-17	LE2635001	1	PAPER GUIDE BAR	
1-18	048020346	2	RETAINING RING, E2	
1-19	LE2898001	1	HINGE SPRING	
1-20	048050345	1	RETAINING RING, E5	



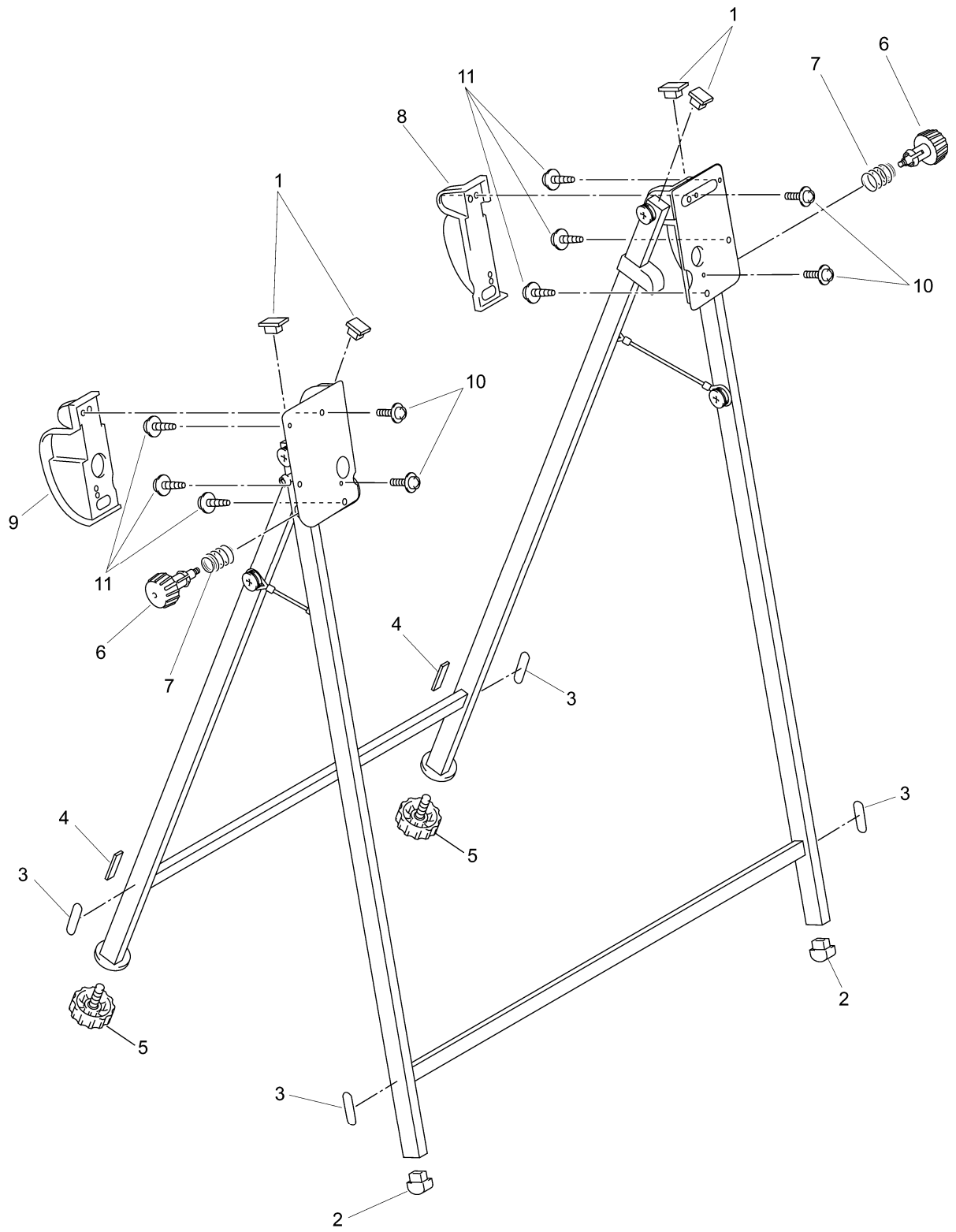
List3_BOARD_1

REF.NO.	CODE	Q'TY	DESCRIPTION	REMARKS
1	LE2928001	2	CABLE CLIP	
2	LE2651001	1	LOWER PIPE HOLDER L ASSY	
3	LE2789001	1	WB MOTOR	
4	U09759001	2	SCREW, PAN (S/P WASHER) M3X6	
5	LE2662001	2	PIPE HOLDER SPRING	
6	LE2668001	2	PIPE GEAR	
7	LE2669001	2	PIPE SPACER	
8	LE2673001	1	UPPER CORNER PLATE R (PLATE A)	
9	LE2674001	1	UPPER CORNER PLATE L (PLATE B)	
10	LE3040001	1	LOWER CORNER PLATE R (PLATE C)	
11	LE3041001	1	LOWER CORNER PLATE L (PLATE D)	
12	LE3035001	4	DUMMY WALL-MOUNTING BRACKET, CP2000/CB200	
12	LE3035001	2	DUMMY WALL-MOUNTING BRACKET, CP1800	
13	LE2738001	4	BOARD FOOT	
14	085310815	2	TAPTITE, BIND B M3X8	
15	087320815	2	TAPTITE, CUP S M3X8	
16	087321016	26	TAPTITE, CUP S M3X10	
17	LE2938001	1	TAPTITE, WASHER S M3X10	
18	LE2975001	4	SCREW, CUP M4X8	
19	LE2976001	4	SCREW, CUP M4X14	
20	LE2678001	1	CIS FRAME	
21	LE3093001	1	CIS SUPPLY ASSY (INCLUDING 3 CIS UNITS AND RETAINER)	
22	085310815	6	TAPTITE, BIND B M3X8	
23	LE2679001	3	TRANSPARENT SHEET (FOR DUST SEAL)	
24	UU0275001	3	HARNESS SPONGE	
25	LG2276001	1	CIS HARNESS (INCLUDING 3 HARNESSES)	
26	LG2280001	1	MOTOR WB HARNESS	
27	LE2910001	4	SPACER	
28	LE2682001	2	PIPE HOLDER STOPPER	
29	LG2281001	1	RELAY PCB ASSY	
30	LE2690001	1	PCB SUPPORT	
31	LG2285001	1	PRINTER INTERFACE CABLE	
32	LE2691001	1	CABLE CLAMP	
33	LE2799001	1	CABLE CLAMP PLATE	
34	U24014001	6	TAPTITE, CUP S M3.0X6	
35	LE3059001	2	STAND SPACER, CP2000/CB200	
36	LE3037001	1	WALL-MOUNTING BRACKET, CP1800 (INCLUDING 2PCS)	



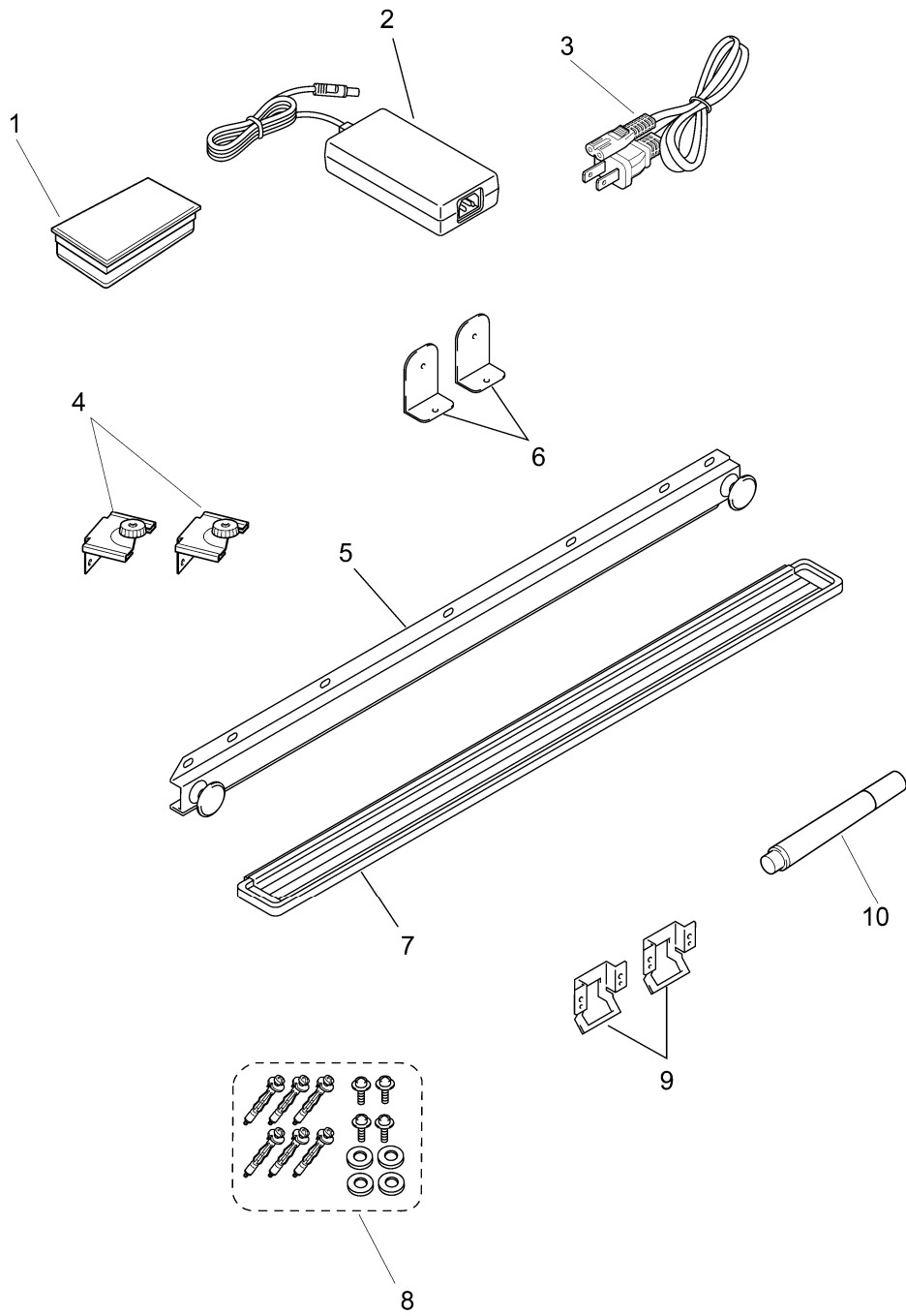
List4_BOARD_2

REF.NO.	CODE	Q'TY	DESCRIPTION	REMARKS
1	LE3020001	1	WHITE SHEET SUPPLY ASSY (INCLUDING BLACK MARK)	
2	LE2670001	1	SHEET BACKUP BOARD	
3	LE2959001	2	BACKUP BOARD SUPPORT	
4	LE2683001	1	UPPER COVER	
5	LE2684001	1	LOWER COVER	
6	LE2685001	1	SIDE COVER R	
7	LE2686001	1	SIDE COVER L	
8	LE2687001	2	CORNER COVER A	
9	LE2688001	2	CORNER COVER B	
10	LE2689001	6	SHOULDER SCREW	
11	084321016	8	SCREW, FLAT S M3X10	
12	087321016	6	TAPTITE, CUP S M3X10	
13	LE3048001	1	WHITE TAPE	
(14)	LE2991001	1	TEST CHART TC-WB002	



List5_STAND

REF.NO.	CODE	Q'TY	DESCRIPTION	REMARKS
1	LE2591001	2	UPPER CAP	
2	LE2702001	2	LOWER CAP	
3	LE2589001	4	BLIND SEAL	
4	LE2868001	2	PROTECT RUBBER	
5	LE2708001	2	ADJUST FOOT ASSY	
6	LE2712001	2	STAND STOPPER SCREW	
7	LE2894001	2	STAND STOPPER SPRING	
8	LE3044001	1	STAND BASE COVER L (REAR VIEW)	
9	LE3045001	1	STAND BASE COVER R (REAR VIEW)	
10	085411215	4	SCREW, BIND B TITE 4X12	
11	LE3055001	6	SCREW, CUP M4X18	
(12)	LE3019001	1	EASEL STAND SUPPLY ASSY	



List6_ACCESSORIES

REF.NO.	CODE	Q'TY	DESCRIPTION	REMARKS
1	LE2717001	1	ERASER	
2	LG2286001	1	AC ADAPTOR	
3	LG2421001	1	AC CORD FOR US/CAN	
3	LG2453001	1	AC CORD FOR GER	
3	LG2454001	1	AC CORD FOR UK	
3	LG2455001	1	AC CORD FOR CHE	
4	LE2943001	1	PARTITION-MOUNTING BRACKET (INCLUDING 2PCS)	
5	LE2731001	1	WALL-MOUNTING BAR	
6	LE2920001	1	L-SHAPED BRACKET (INCLUDING 2PCS)	
7	LE2800001	1	TRAY	
8	LE2931001	1	SCREW PACKET (INCLUDING 6 ANCHORS, 4 SCREWS AND 4 WASHERS)	
9	LE3037001	1	WALL-MOUNTING BRACKET (INCLUDING 2PCS), CP2000/CB200	
10	LE2721001	2	MARKER (BLACK)	
(11)	LE3603001	1	MFL I/F ASSY, CP2000, CB200 FOR CAN	

List7_MANUALS

REF.NO.	CODE	Q'TY	DESCRIPTION	REMARKS
(1)	LE2739001	1	OWNER'S MANUAL ASSY, CP2000 FOR US (INCLUDING OWNER'S MANUAL, REORDER FORM, WARRANTY CARD LICENSE GUIDE, MFL MANUAL, MFL CD-ROM AND BLIND SEAL)	
(1)	LE3071002	1	OWNER'S MANUAL ASSY, CB200 FOR CAN (INCLUDING OWNER'S MANUAL, REORDER FORM, WARRANTY CARD LICENSE GUIDE, MFL MANUALS, MFL CD-ROM AND BLIND SEAL)	
(1)	LE3101001	1	OWNER'S MANUAL ASSY, CP1800 FOR US (INCLUDING OWNER'S MANUAL, REORDER FORM AND WARRANTY CARD)	
(1)	LE2946003	1	OWNER'S MANUAL ASSY, CB200 FOR GER (INCLUDING OWNER'S MANUAL, WARRANTY CARDS, RECORDING PAPER GUIDE AND BLIND SEAL)	
(1)	LE2951004	1	OWNER'S MANUAL ASSY, CB200 FOR UK (INCLUDING OWNER'S MANUAL, WARRANTY CARDS, RECORDING PAPER GUIDE AND BLIND SEAL)	
(1)	LE2953010	1	OWNER'S MANUAL ASSY, CB200 FOR CHE (INCLUDING OWNER'S MANUAL, WARRANTY CARD, RECORDING PAPER GUIDE AND BLIND SEAL)	
(1-1)	LE2740001	1	OWNER'S MANUAL, CP2000 FOR US	
(1-1)	LE3110001	1	OWNER'S MANUAL, CP1800 FOR US	
(1-1)	LE3088001	1	OWNER'S MANUAL, CB200 FOR CAN	
(1-1)	LE2947003	1	OWNER'S MANUAL, CB200 FOR GER/UK/CHE	
(1-2)	LE2742001	1	BLIND SEAL	
(1-3)	LE2993001	1	MFL CD-ROM ASSY, CP2000, CB200 FOR CAN	
(1-4)	LE2995001	1	MFL MANUAL, CP2000, CB200 FOR CAN<ENGLISH>	
(1-4)	LE3089001	1	MFL MANUAL, CB200 FOR CAN<FRENCH>	
(1-5)	UF6925001	1	RECORDING PAPER GUIDE FOR GER/UK/CHE	

List8_CARTONS

REF.NO.	CODE	Q'TY	DESCRIPTION	REMARKS
(1)	LE2744001	1	INNER CARTON, BROTHER CP2000 FOR US	
(1)	LE3094001	1	INNER CARTON, BROTHER CP1800 FOR US	
(1)	LE2949001	1	CARTON, BROTHER CB200 FOR CAN/GER/UK/CHE	
(2)	LE2745001	1	STYROFOAM ASSY, CP2000/CB200	
(2)	LE3102001	1	STYROFOAM ASSY, CP1800	
(3)	LE2753001	1	POLY-ETHYLENE BAG, 1450X1050 FOR COPYBOARD	
(4)	LE3448001	1	OUTER CARTON, BROTHER CP2000 FOR US	
(4)	LE3449001	1	OUTER CARTON, BROTHER CP1800 FOR US	

brother®