

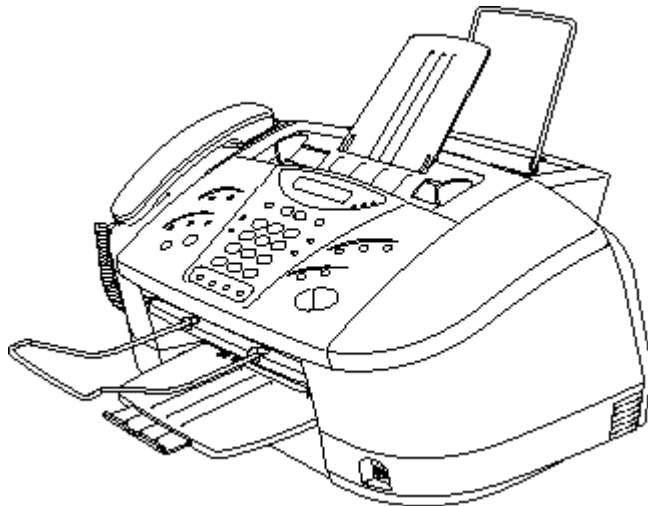
# brother®

**FACSIMILE EQUIPMENT**

**PARTS REFERENCE LIST**

**MODEL: MFC830 / MFC840**

**( For Germany / United Kingdom / France /  
Norway / Belgium / Netherlands /  
Switzerland / Ireland / Denmark/ Austria /  
Spain / Italy / South Africa / Sweden )**



© Copyright Brother 2000

All rights reserved

No part of this publication may be reproduced in any form or by any means without permission in writing from the publisher.

Specifications are subject to change without prior notice.

## NOTES FOR USING THIS PARTS REFERENCE LIST

1. In the case of ordering parts, it needs mentioning the following items:

- (1) Code
- (2) Q' ty
- (3) Description

Note: No orders without Parts Code or Tool No. can be accepted.

[Example]

(1)                      (2)    (3)

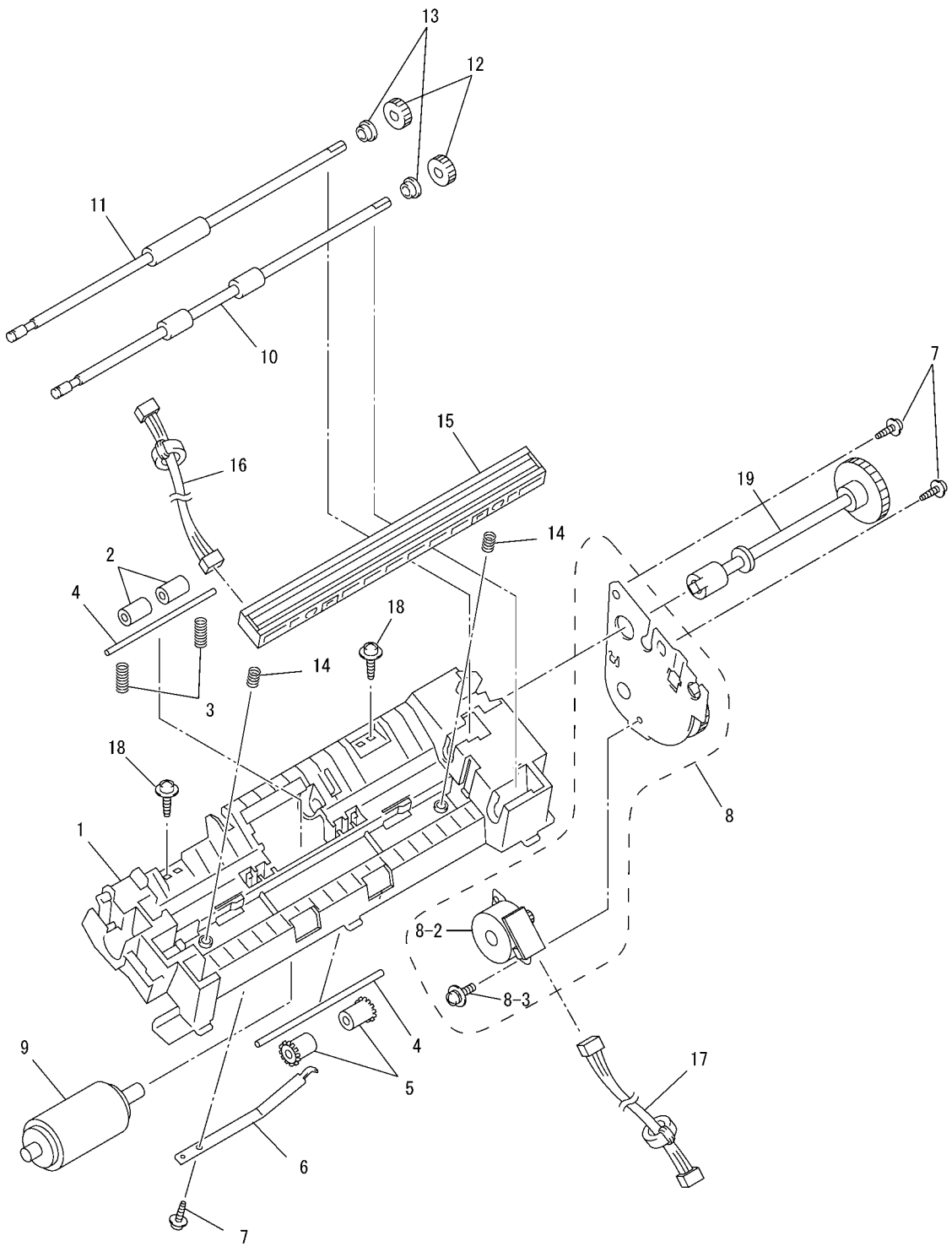
REF.NO.	CODE	Q' TY	DESCRIPTION	REMARKS

2. Parts change will be informed by the technical information.

## COUNTRIES

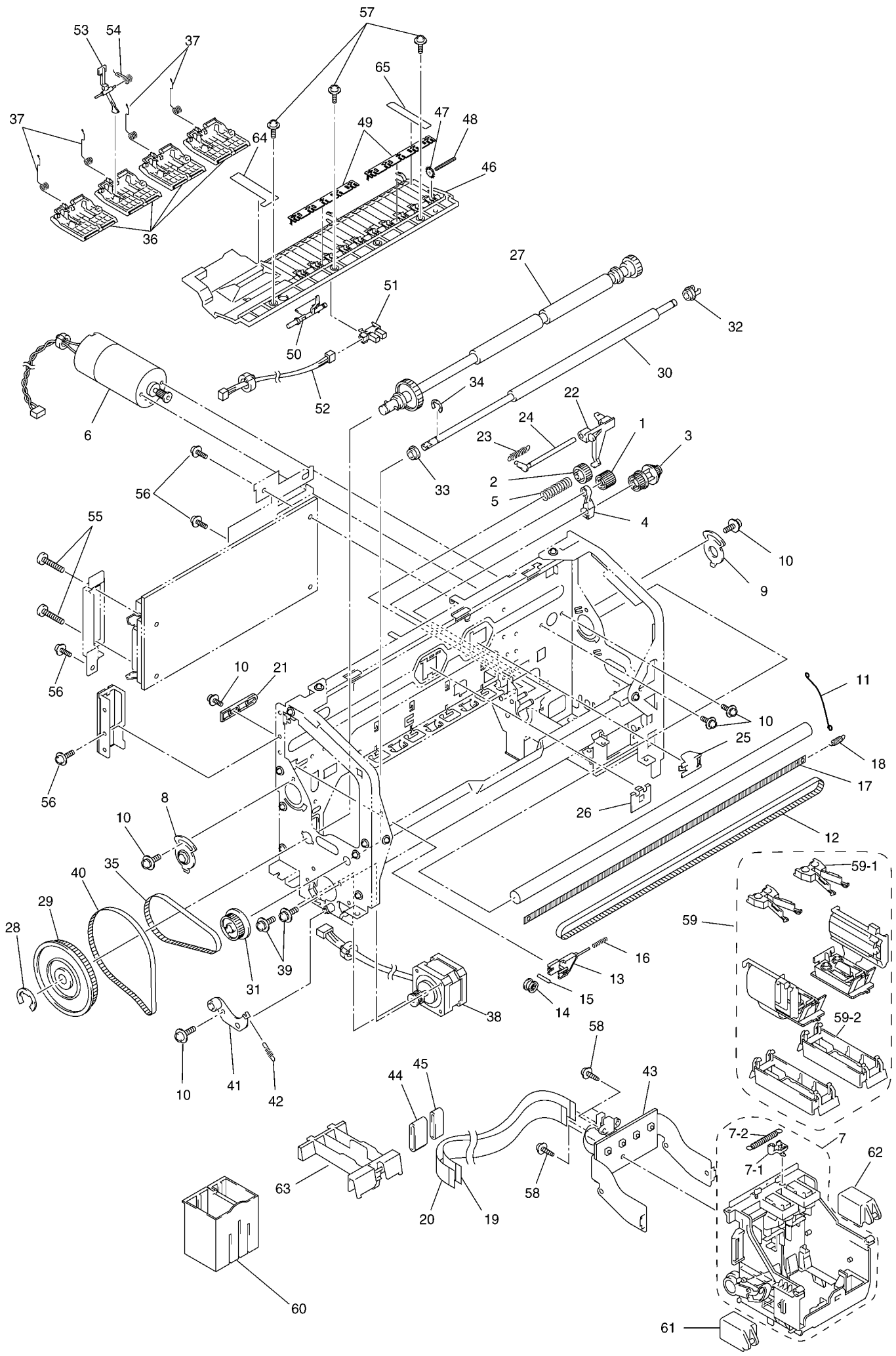
GERMANY ----- GER  
UNITED KINGDOM ----- UK  
FRANCE ----- FRA  
NORWAY ----- NOR  
BELGIUM ----- BEL  
NETHER LANDS ---- NLD  
SWITZERLAND ---- CHE  
IRELAND ---- IRE  
DENMARK ---- DEN  
AUSTRIA ---- AUT  
SPAIN ---- SPA  
ITALY ---- ITA  
SOUTH AFRICA ---- ZAF  
SWEDEN ---- SWE

---



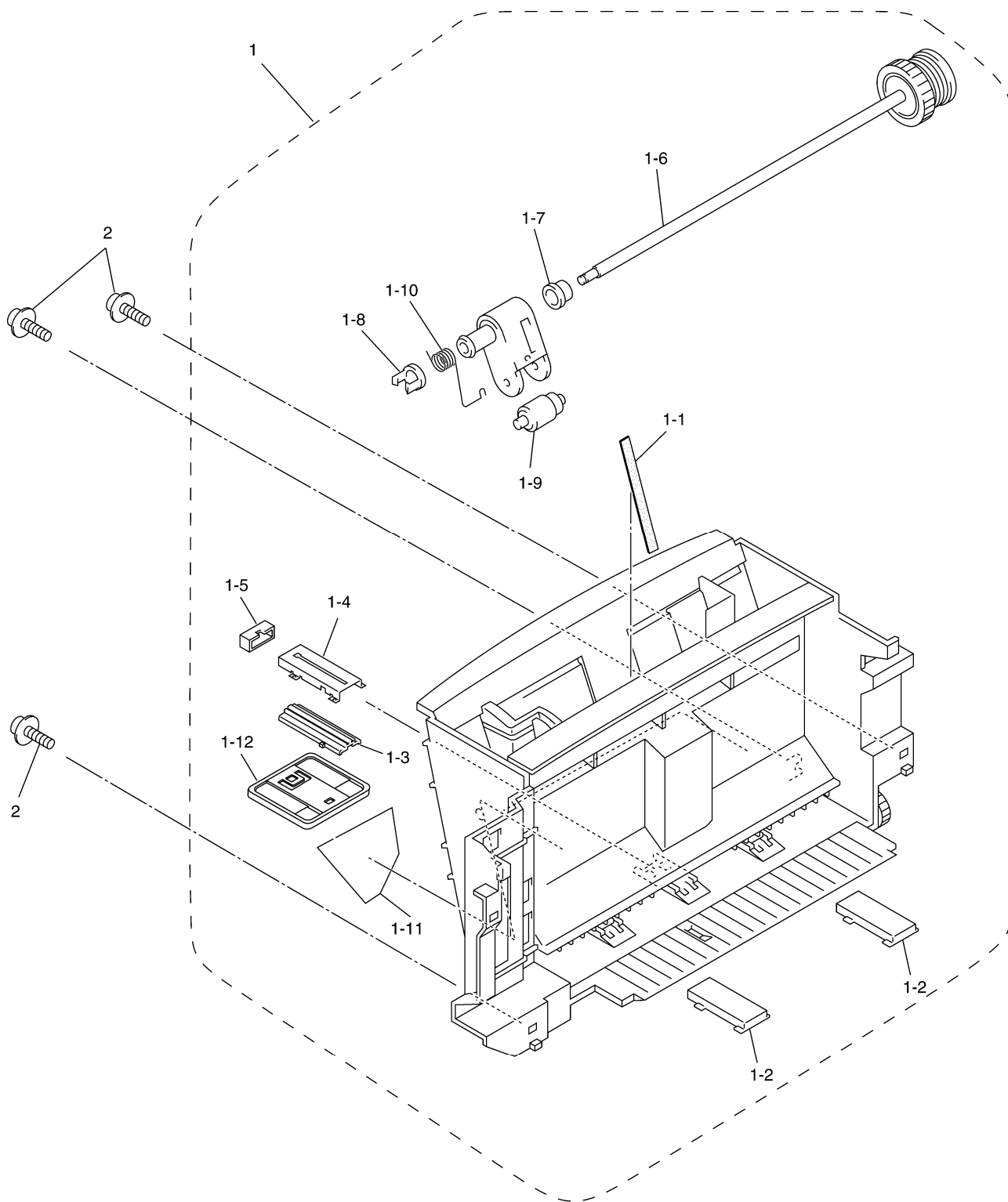
## List1(SCANNER FRAME)

REF. NO.	PART CODE	QTY.	DESCRIPTION	REMARKS
1	LE3112001	1	SCANNER FRAME	
2	UF9009001	2	PRESSURE ROLLER	
3	LE2472001	2	PRESSURE ROLLER SPRING	
4	LE2471001	2	PRESSURE ROLLER SHAFT	
5	UL6244002	2	PINCH ROLLER	
6	UU7033001	1	PINCH ROLLER LEAF SPRING	
7	087310816	3	TAPTITE, CUP B M3X8	
8	LE3113001	1	SCANNER DRIVE ASSY	
8-1	<del>UU7030004</del>	<del>4</del>	<del>SEPARATION ROLLER GEAR</del>	<Eliminated>
8-2	LE3116001	1	SCANNER MOTOR	
8-3	0A4300605	1	SCREW, PAN (S/P WASHER) M3X6	
9	UU7031001	1	SEPARATION ROLLER	
10	LE3477001	1	DOCUMENT EJECTION ROLLER ASSY	
11	LE3476001	1	DOCUMENT FEED ROLLER ASSY	
12	UU7039001	2	GEAR27	
13	UU7284001	2	BUSHING	
14	UU2028001	2	CIS SPRING	
15	LG2593001	1	CIS UNIT, COLOR 300DPI	
16	LG2594001	1	CIS HARNESS	
17	LG2592001	1	SCANNER MOTOR HARNESS	
18	087311016	2	TAPTITE, CUP B M3X10	
19	UU7030001	1	SEPARATION ROLLER GEAR	



## List2(MAIN CHASIS)

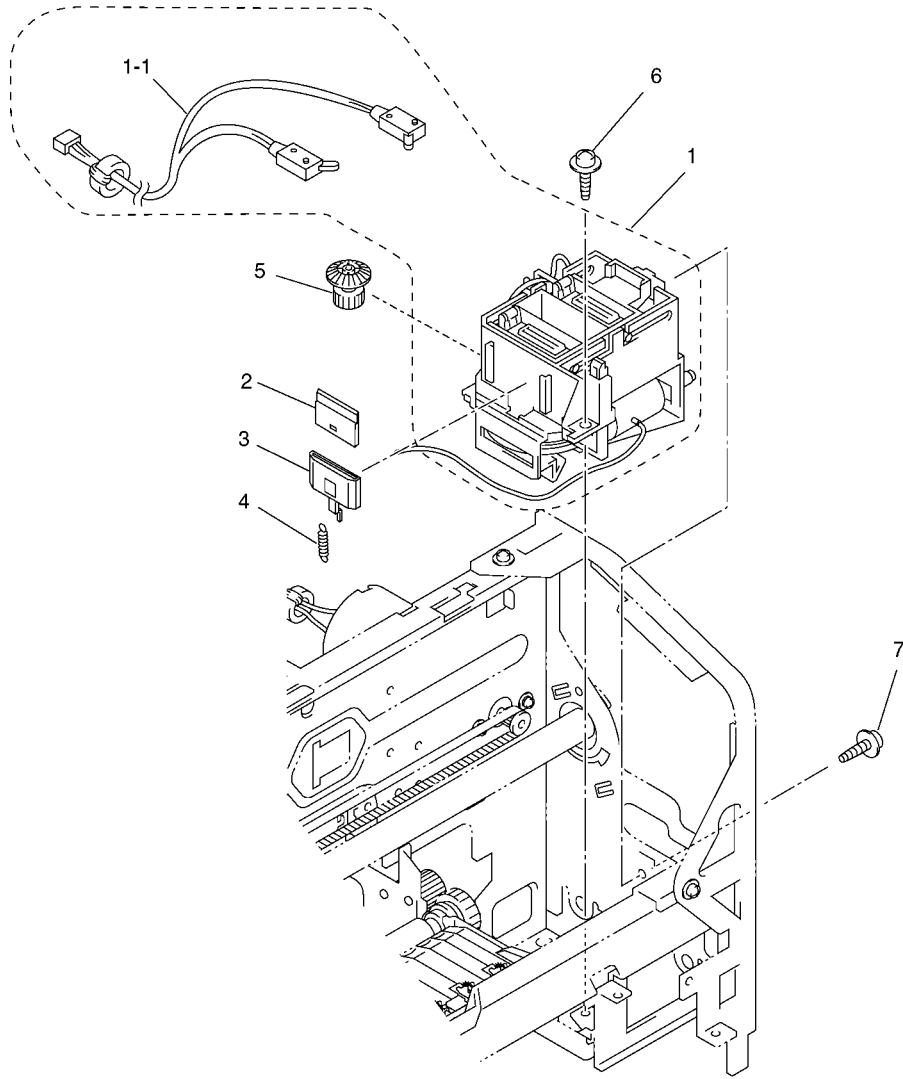
REF. NO.	PART CODE	QTY.	DESCRIPTION	REMARKS
1	LE3132001	1	PURGE GEAR 18	
2	LE3133001	1	PURGE GEAR 19	
3	LE3134001	1	PURGE BEVEL GEAR 18	
4	LE3135001	1	GEAR STOPPER	
5	LE3136001	1	PURGE GEAR SPRING	
6	LE3939001	1	CARRIAGE MOTOR	
7	LE3142001	1	CARRIAGE ASSY	
7-1	UU1061001	1	CARRIAGE PRESSER	
7-2	UU1062001	1	PRESSER SPRING	
8	LE3166001	1	ECCENTRIC BUSHING L	
9	LE3167001	1	ECCENTRIC BUSHING R	
10	0A5300605	5	SCREW, PAN (S/P WASHER) M3X6	
11	UU1080001	1	RAIL PRESSURE SPRING	
12	UU1454001	1	CARRIAGE TIMING BELT	
13	LE3169001	1	IDLE PULLEY HOLDER	
14	LE3170001	1	IDLE PULLEY HOLDER	
15	UD6025001	1	IDLE PULLEY SHAFT	
16	LE3171001	1	TENSION SPRING	
17	LE3172001	1	ENCODER STRIP	
18	UD6012001	1	ENCODER STRIP SPRING	
19	LG2606001	1	HEAD FLAT CABLE, 23P	
20	LG2605001	1	HEAD FLAT CABLE, 22P	
21	LE3175001	1	IDLE PULLEY STOPPER	
22	LE3178001	1	PURGE LEVER	
23	LE3179001	1	PURGE LEVER SPRING	
24	LE3180001	1	PURGE SHAFT	
25	UU1088001	1	FFC HOLDER 1	
26	LE3176001	1	FFC HOLDER 2	
27	LE3183001	1	PAPER FEED ROLLER ASSY	
28	048080345	1	RETAINING RING, E8	
29	LE3187001	1	PF ROLLER PULLEY L	
30	LE3188001	1	PAPER EJECTION ROLLER	
31	LE3190001	1	EJECTION ROLLER PULLEY	
32	UF0026001	1	PAWLED BUSHING	
33	UF8105001	1	CONDUCTIVE BUSHING	
34	048050345	1	RETAINING RING, E5	
35	LE3191001	1	PF TIMING BELT S	
36	LE3195001	4	PAPER PRESSURE HOLDER	
37	LE3198001	4	PRESSURE HOLDER SPRING	
38	LE3201001	1	PAPER FEED MOTOR ASSY	
39	0A4300605	2	SCREW, PAN (S/P WASHER) M3X6	
40	LE3207001	1	PF TIMING BELT L	
41	LE3208001	1	TENSION PLATE ASSY	
42	LE3600001	1	TENSION SPRING	
43	LG2597001	1	CARRIAGE PCB ASSY	
44	UG5577000	1	FLAT CORE :33.5-20	
45	UG5569000	1	FLAT CORE :33.5-12	
46	LE3910001	1	PLATEN	
47	US2967001	8	STAR WHEEL	
48	LE3606001	8	STAR WHEEL SPRING	
49	LE3881001	2	STAR WHEEL RETAINER	
50	LE3194001	1	PAPER EJECTION SENSOR ACTUATOR	
51	LG2239001	1	PAPER EJECTION SENSOR	
52	LG2741001	1	PAPER EJECTION SENSOR HARNESS	
53	LE3199001	1	RESISTRATION SENSOR ACTUATOR	
54	LE3200001	1	TWIST SPRING	
55	083321216	2	TAPTITE, PAN S M3X12	
56	087320616	3	TAPTITE, CUP S M3X6, MFC830	
56	087320616	4	TAPTITE, CUP S M3X6, MFC840	
57	087320515	3	TAPTITE, CUP S M3X5	
58	087210616	3	TAPTITE, CUP B M2X6	
59	LK0220001	0.1	PRINT HEAD UNIT (INCLUDING 10 PAIRS OF UNITS)	
59	LK0610001	1	PRINT HEAD UNIT (INCLUDING 1 PAIR OF UNIT)	
59-1	LK0198001	2	MANIFOLD CAP S	
59-2	LK0199001	2	NOZZLE PROTECTOR	
60	LE3182001	1	MANIFOLD CAP L	
61	LE3155001	1	HEAD DRIVER CLAMP L	
62	LE3158001	1	HEAD DRIVER CLAMP R	
63	LE3162001	1	INK CARTRIDGE GUIDE	
63	LE3162001	1	INK CARTRIDGE GUIDE	
63	LE3162001	1	INK CARTRIDGE GUIDE	
64	LE3847001	1	PAPER GUIDE FILM L	
65	LE3848001	1	PAPER GUIDE FILM R	





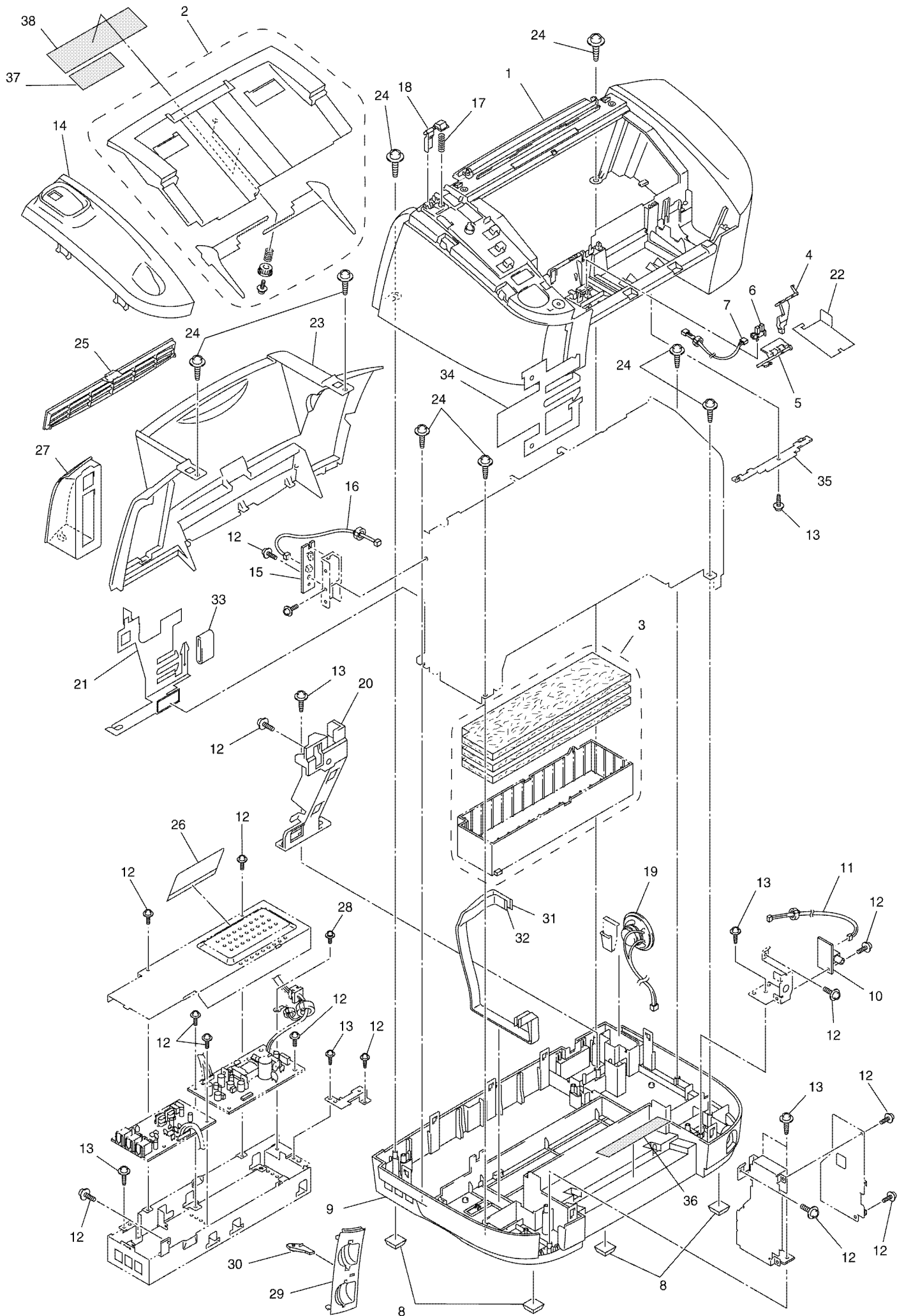
## List3(ASF)

REF. NO.	PART CODE	QTY.	DESCRIPTION	REMARKS
1	LE3250001	1	ASF	
1-1	LE3252001	1	BASE PAD	
1-2	LE3253001	2	PAPER SUPPORTER	
1-3	LE3254001	1	SEPARATION PAD	
1-4	LE3255001	1	SEPARATION PAD HOLDER	
1-5	LE3434001	1	HOLDER CAP	
1-6	LE3259001	1	PAPER FEED SHAFT ASSY	
1-7	UF9722001	1	BUSHING R	
1-8	UF0026001	1	BUSHING L	
1-9	LE3432001	1	ASF ROLLER	
1-10	LE3268001	1	TORSION SPRING	
1-11	LE3522001	2	PAPER STOPPER FILM	
1-12	LE3235001	1	SEPARATION PAD HOLDER STOPPER	
2	087320616	3	TAPTITE, CUP S M3X6	



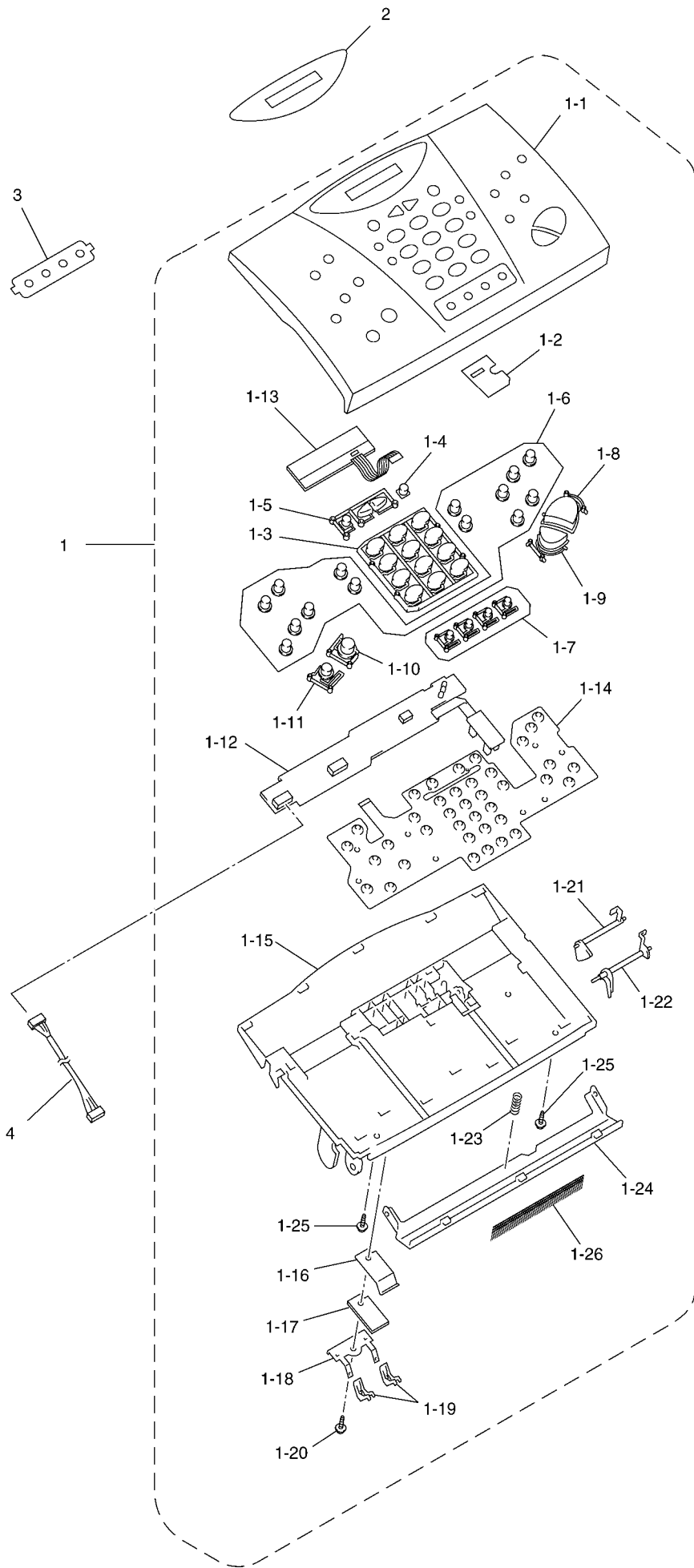
## List4(PURGE UNIT)

REF. NO.	PART CODE	QTY.	DESCRIPTION	REMARKS
1	LE3212001	1	PURGE UNIT	
1-1	LG2609001	1	PURGE SWITCH HARNESS	
2	LE3223001	1	WIPER	
3	LE3222001	1	WIPER HOLDER	
4	LE3224001	1	WIPER SPRING	
5	LE3242001	1	PURGE GEAR 16/18	
6	087320616	1	TAPTITE, CUP S M3X6	
7	087311015	1	TAPTITE, CUP B M3X10	



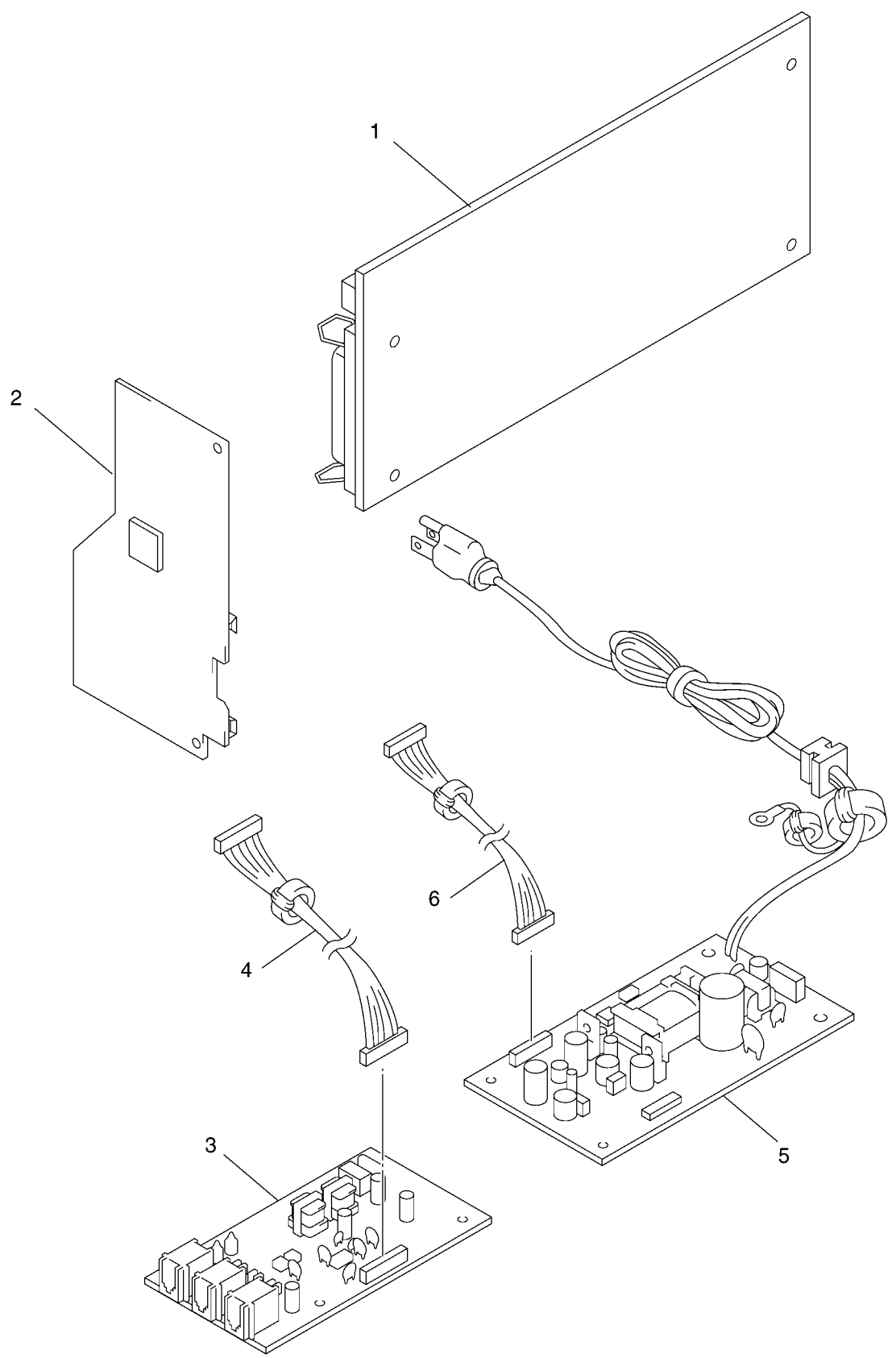
## List5(COVER)

REF. NO.	PART CODE	QTY.	DESCRIPTION	REMARKS
1	LE3270001	1	UPPER COVER	
2	LE3624001	1	TOP COVER	
3	LE3948001	1	INK ABSORBER ASSY	
4	LE3274001	1	COVER OPEN SENSOR ACTUATOR	
5	LE3275001	1	PANEL OPEN SENSOR ACTUATOR	
6	LG2239001	1	COVER/PANEL OPEN SENSOR	
7	LG2691001	1	COVER/PANEL OPEN SENSOR HARNESS	
8	UD4019001	4	RUBBER FOOT	
9	LE3276001	1	BOTTOM COVER	
10	UG6219001	1	VC CONNECTOR PCB	
11	LG2698001	1	VC HARNESS	
12	087320616	12	TAPTITE, CUP S M3X6, MFC830	
12	087320616	14	TAPTITE, CUP S M3X6, MFC840	
13	087310815	5	TAPTITE, CUP B M3X8, MFC830	
13	087310815	7	TAPTITE, CUP B M3X8, MFC840	
14	LE3652001	1	W/O HANDSET MOUNT, MFC830	
14	LE3279001	1	HANDSET MOUNT, MFC840	
15	LG2685001	1	HOOK SWITCH PCB, MFC840	
16	LG2740001	1	HOOK SWITCH HARNESS, MFC840	
17	LE3407001	1	HOOK SWITCH SPRING, MFC840	
18	LE3408001	1	HOOK SWITCH ACTUATOR, MFC840	
19	LG2613001	1	SPEAKER	
20	LE3435001	1	HARNESS SUPPORTER	
21	LE3436001	1	CORE SUPPORT B	
22	LE3440001	1	ACTUATOR FILM	
23	LE3281001	1	REAR COVER	
24	087411216	8	TAPTITE, CUP B M4X12	
25	LE3282001	1	JAM CLEAR COVER	
26	LE3478001	1	PS COVER FILM	
27	LE3280001	1	BATTERY COVER	
28	UF6559001	1	SCREW, PAN (WASHER) M4X8DB	
29	LE3285001	1	DUMMY MEDIA GUIDE, MFC830	
29	LE3437001	1	MEDIA GUIDE, MFC840	
30	LE3439001	1	LENS, MFC840	
31	LG2696001	1	MEDIA FLAT CABLE, 16P, MFC840	
32	LG2697001	1	MEDIA FLAT CABLE, 18P, MFC840	
33	LG2761001	1	FLAT CORE, MFC840	
34	LE3521001	1	CORE SUPPORT A	
35	LE3590001	1	DOCUMENT WIRE SUPPORT	
36	LE3181001	1	PAPER TRAY INSTALLATION LABEL	
37	UU1236001	1	HEAD GAP ADJUSTMENT INSTRUCTION LABEL	
38	LE3290001	1	INK REPLACEMENT INSTRUCTION LABEL	
(39)	UU1313001	1	INK COLOR INDICATION LABEL	
(40)	UU0456001	1	PROTECTION PAPER	
(41)	UF5745000	1	MJ COVER, FOR GER/UK/FRA/BEL/NLD/DEN/AUT/ITA/ZAF/SWE	



## List6(PANEL ASSY)

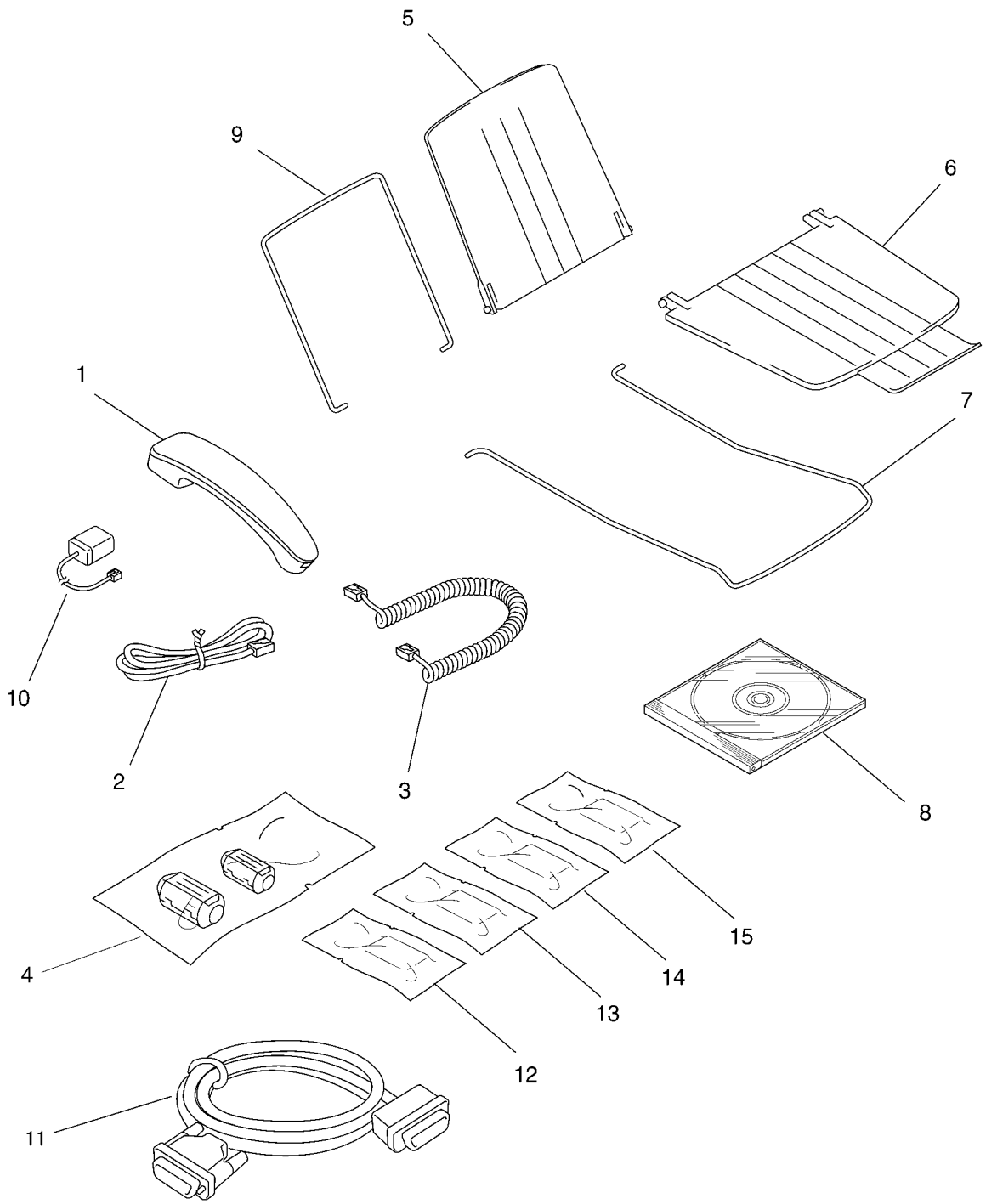
REF. NO.	PART CODE	QTY.	DESCRIPTION	REMARKS
1	LE3539001	1	CONTROL PANEL ASSY, MFC830 FOR GER/AUT	
1	LE3541001	1	CONTROL PANEL ASSY, MFC830 FOR UK/BEL/CHE	
1	LE3550001	1	CONTROL PANEL ASSY, MFC830 FOR FRA	
1	LE3684001	1	CONTROL PANEL ASSY, MFC830 FOR NOR	
1	LE3686001	1	CONTROL PANEL ASSY, MFC830 FOR DEN	
1	LE3688001	1	CONTROL PANEL ASSY, MFC830 FOR SPA	
1	LE3690001	1	CONTROL PANEL ASSY, MFC830 FOR ITA	
1	LE3692001	1	CONTROL PANEL ASSY, MFC830 FOR SWE	
1	LE3560001	1	CONTROL PANEL ASSY, MFC840 FOR GER	
1	LE3571001	1	CONTROL PANEL ASSY, MFC840 FOR UK/BEL/CHE/IRE/ZAF	
1	LE3578001	1	CONTROL PANEL ASSY, MFC840 FOR FRA	
1	LE3711001	1	CONTROL PANEL ASSY, MFC840 FOR NOR	
1	LE3713001	1	CONTROL PANEL ASSY, MFC840 FOR NLD	
1	LE3715001	1	CONTROL PANEL ASSY, MFC840 FOR DEN	
1	LE3717001	1	CONTROL PANEL ASSY, MFC840 FOR SPA	
1	LE3849001	1	CONTROL PANEL ASSY, MFC840 FOR ITA	
1	LE3719001	1	CONTROL PANEL ASSY, MFC840 FOR SWE	
1-1	LE3540001	1	CONTROL PANEL, MFC830 FOR GER/AUT	
1-1	LE3542001	1	CONTROL PANEL, MFC830 FOR UK/BEL/CHE	
1-1	LE3551001	1	CONTROL PANEL, MFC830 FOR FRA	
1-1	LE3685001	1	CONTROL PANEL, MFC830 FOR NOR	
1-1	LE3687001	1	CONTROL PANEL, MFC830 FOR DEN	
1-1	LE3689001	1	CONTROL PANEL, MFC830 FOR SPA	
1-1	LE3691001	1	CONTROL PANEL, MFC830 FOR ITA	
1-1	LE3693001	1	CONTROL PANEL, MFC830 FOR SWE	
1-1	LE3561001	1	CONTROL PANEL, MFC840 FOR GER	
1-1	LE3572001	1	CONTROL PANEL, MFC840 FOR UK/BEL/CHE/IRE/ZAF	
1-1	LE3579001	1	CONTROL PANEL, MFC840 FOR FRA	
1-1	LE3712001	1	CONTROL PANEL, MFC840 FOR NOR	
1-1	LE3714001	1	CONTROL PANEL, MFC840 FOR NLD	
1-1	LE3716001	1	CONTROL PANEL, MFC840 FOR DEN	
1-1	LE3718001	1	CONTROL PANEL, MFC840 FOR SPA	
1-1	LE3850001	1	CONTROL PANEL, MFC840 FOR ITA	
1-1	LE3720001	1	CONTROL PANEL, MFC840 FOR SWE	
1-2	LE3607001	1	LIGHT SHIELD FILM	
1-3	LE4073003	1	TEN KEY, GRAY(1495)	
1-4	LE3468001	1	SET KEY, PURPLE(6255)	
1-5	LE4078001	1	FUNCTION KEY, PURPLE(6255)	
1-6	LE3295001	14	CYLINDRICAL KEY, GRAY(1495)	
1-7	UF9954006	4	ONE TOUCH DIAL KEY, (GRAY1495)	
1-8	LE4074001	1	START KEY, PURPLE(6255)	
1-9	LE4075002	1	STOP KEY, GRAY(1495)	
1-10	LJ4285001	1	COLOR COPY KEY, GREEN(5159)	
1-11	LJ4231003	1	MONO COPY KEY, GRAY(1495)	
1-12	LG2615001	1	CONTROL PANEL PCB	
1-13	LG2567001	1	LCD	
1-14	LG2617001	1	FPC KEY	
1-15	LE3298001	1	PANEL REAR COVER	
1-16	LE3330001	1	SPRING PLATE B	
1-17	LE3299001	1	SEPARATION RUBBER	
1-18	LE3300001	1	SPRING PLATE A	
1-19	LE3323001	2	ADF GUIDE CAP	
1-20	UF5034001	1	TAPTITE, B 3X6	
1-21	UU7107001	1	DOCUMENT FRONT SENSOR ACTUATOR	
1-22	UU7108001	1	DOCUMENT REAR SENSOR ACTUATOR	
1-23	UU2057001	1	DOCUMENT PRESSURE BAR SPRING	
1-24	LE6342001	1	DOCUMENT PRESSURE BAR	
1-25	087310816	2	TAPTITE, CUP B M3X8	
1-26	LE1071001	1	ANTI-STATIC BRUSH	
2	LE3529001	1	LCD PLATE, MFC830 FOR GER/AUT	
2	LE3543001	1	LCD PLATE, MFC830 FOR UK/FRA/NOR/BEL/CHE/DEN/SPA/ITA/SWE	
2	LE3562001	1	LCD PLATE, MFC840 FOR GER	
2	LE3573001	1	LCD PLATE, MFC840 FOR UK/FRA/NOR/BEL/NLD/CHE/IRE/ DEN/SPA/ITA/ZAF/SWE	
3	LE3324001	1	ADDRESS LABEL	
4	LG2618001	1	PANEL-MAIN HARNESS	





## List7(PCB)

REF. NO.	PART CODE	QTY.	DESCRIPTION	REMARKS
1	LG2763021	1	MAIN PCB ASSY, MFC830	
1	LG2772031	1	MAIN PCB ASSY, MFC840	
2	LG2709001	1	MEDIA PCB ASSY, MFC840	
3	LG2810001	1	NCU PCB ASSY, MFC830 FOR GER/BEL/DEN/AUT	
3	LG3242006	1	NCU PCB ASSY, MFC830 FOR GER/BEL/AUT	
3	LG2810004	1	NCU PCB ASSY, MFC830 FOR UK/FRA/NOR/BEL/DEN/SWE	
3	LG3242005	1	NCU PCB ASSY, MFC830 FOR FRA	
3	LG3242002	1	NCU PCB ASSY, MFC830 FOR CHE	
3	LG3242003	1	NCU PCB ASSY, MFC830 FOR SPA/ITA	
3	LG2150033	1	NCU PCB ASSY, MFC840 FOR GER/BEL/DEN	
3	LG2150034	1	NCU PCB ASSY, MFC840 FOR UK/FRA/NOR/BEL/NLD/IRE/DEN/ZAF/SWE	
3	LG2150040	1	NCU PCB ASSY, MFC840 FOR CHE	
3	LG2150045	1	NCU PCB ASSY, MFC840 FOR SPA/ITA	
4	LG2699001	1	NCU-MAIN HARNESS	
5	LG2765003	1	POWER SUPPLY PCB ASSY(INCLUDING AC CORD) FOR GER/FRA/NOR/BEL/NLD/AUT/SPA/ITA/SWE	
5	LG2765004	1	POWER SUPPLY PCB ASSY(INCLUDING AC CORD) FOR UK/IRE	
5	LG2765013	1	POWER SUPPLY PCB ASSY(INCLUDING AC CORD) FOR DEN	
5	LG2765024	1	POWER SUPPLY PCB ASSY(INCLUDING AC CORD) FOR ZAF	
5	LG2834010	1	POWER SUPPLY PCB ASSY(INCLUDING AC CORD) FOR CHE	
6	LG2739001	1	POWER SUPPLY HARNESS	
(7)	LG2764001	1	NCU-MAIN HARNESS 2	



## List8(Accessories)

REF. NO.	PART CODE	QTY.	DESCRIPTION	REMARKS
1	LE0446011	1	HANDSET, MFC840	
2	UG3625001	1	TELEPHONE LINE CORD, MFC830 FOR GER	
2	UL8230001	1	TELEPHONE LINE CORD, MFC840 FOR GER	
2	UG3626001	1	TELEPHONE LINE CORD, MFC830 FOR UK	
2	UL8211001	1	TELEPHONE LINE CORD, MFC840 FOR UK/ZAF	
2	UG3627001	1	TELEPHONE LINE CORD, MFC830 FOR FRA	
2	UL8290001	1	TELEPHONE LINE CORD, MFC840 FOR FRA	
2	UL8384001	1	TELEPHONE LINE CORD, MFC840 FOR NOR	
2	UG1575001	1	TELEPHONE LINE CORD, MFC830 FOR BEL	
2	UL8219001	1	TELEPHONE LINE CORD, MFC840 FOR BEL	
2	UL8231001	1	TELEPHONE LINE CORD, MFC840 FOR NLD	
2	UG3469000	1	TELEPHONE LINE CORD, MFC830 FOR CHE	
2	UG4169001	1	TELEPHONE LINE CORD, MFC840 FOR CHE	
2	UG1570001	1	TELEPHONE LINE CORD, MFC830 FOR SPA	
2	UG3409001	1	TELEPHONE LINE CORD, MFC840 FOR IRE/SPA	
2	UG3633001	1	TELEPHONE LINE CORD, MFC830 FOR DEN	
2	UL8288001	1	TELEPHONE LINE CORD, MFC840 FOR DEN	
2	UG4205001	1	TELEPHONE LINE CORD, MFC830 FOR AUT	
2	UG3634001	1	TELEPHONE LINE CORD, MFC830 FOR ITA	
2	UL8289001	1	TELEPHONE LINE CORD, MFC840 FOR ITA	
2	UG3635001	1	TELEPHONE LINE CORD, MFC830 FOR SWE	
2	UL8218001	1	TELEPHONE LINE CORD, MFC840 FOR SWE	
3	UG3543011	1	HANDSET CURLED CORD, MFC840	
4	LE3602001	1	FERRITE CORE BAG ASSY (INCLUDING 2PCS), FOR FRA/NOR/ BEL/NLD/CHE/DEN/SPA/ITA/SWE	
5	UU2080001	1	DOCUMENT SUPPORT	
6	UU2069001	1	PAPER TRAY	
7	LE3305001	1	DOCUMENT WIRE EXTENSION	
8	LE3563001	1	CD-ROM FOR GER/UK/FRA/CHE/IRE/AUT/ITA/ZAF	
8	LE3794001	1	CD-ROM FOR NOR/DEN/SWE	
8	LE3530001	1	CD-ROM FOR BEL/NLD/SPA	
9	UU1309001	1	PAPER WIRE EXTENSION	
10	----		N/A	
11	UG4558001	1	I/F CABLE, FOR GER/UK/IRE/AUT/ZAF	
12	LK0256001	0.01	BLACK INK CARTRIDGE LC04BK(INCLUDING 100PCS)	<Eliminated>
13	LK0257001	0.01	CYAN INK CARTRIDGE LC04C(INCLUDING 100PCS)	<Eliminated>
14	LK0258001	0.01	MAGENTA INK CARTRIDGE LC04M(INCLUDING 100PCS)	<Eliminated>
15	LK0259001	0.01	YELLOW INK CARTRIDGE LC04Y(INCLUDING 100PCS)	<Eliminated>
(16)	ZA0310001	1	HEAD CLEANER STICK ASSY	
(17)	ZA0304001	1	INITIAL LIQUID ASSY (INCLUDING A BOTTLE OF INITIAL LIQUID (120CC) FOR PRIMING HEAD UNIT AND SYRINGE (25CC CAPACITY))	
(18)	LK0287001	1	INITIAL LIQUID CARTRIDGE ASSY (INCLUDING 4 PCS EMPTY CARTRIDGES )	
(19)	LE3736001	1	FOAM EMPTY CARTRIDGE UNIT	

## List9(PRINTED MATERIALS)

REF. NO.	PART CODE	QTY.	DESCRIPTION	REMARKS
(1)	LE3533003	1	OWNER'S MANUAL ASSY, MFC830 FOR GER/AUT (INCLUDING OWNER'S MANUAL(1-1), WARRANTY CARD, LICENSE GUIDE, PAPER WIRE EXTENSION(8-9))	
(1)	LE3654003	1	OWNER'S MANUAL ASSY, MFC840 FOR GER (INCLUDING OWNER'S MANUAL(1-1), WARRANTY CARD, LICENSE GUIDE, PAPER WIRE EXTENSION(8-9))	
(1)	LE3544004	1	OWNER'S MANUAL ASSY, MFC830 FOR UK (INCLUDING OWNER'S MANUAL(1-1), WARRANTY CARD, LICENSE GUIDE, PAPER WIRE EXTENSION(8-9))	
(1)	LE3866004	1	OWNER'S MANUAL ASSY, MFC840 FOR UK (INCLUDING OWNER'S MANUAL(1-1), WARRANTY CARD, LICENSE GUIDE, PAPER WIRE EXTENSION(8-9))	
(1)	LE3553005	1	OWNER'S MANUAL ASSY, MFC830 FOR FRA (INCLUDING OWNER'S MANUAL(1-1), WARRANTY CARD, LICENSE GUIDE, PAPER WIRE EXTENSION(8-9))	
(1)	LE3867005	1	OWNER'S MANUAL ASSY, MFC840 FOR FRA (INCLUDING OWNER'S MANUAL(1-1), WARRANTY CARD, LICENSE GUIDE, PAPER WIRE EXTENSION(8-9))	
(1)	LE3694007	1	OWNER'S MANUAL ASSY, MFC830 FOR NOR (INCLUDING OWNER'S MANUAL(1-1), WARRANTY CARD, LICENSE GUIDE, PAPER WIRE EXTENSION(8-9))	
(1)	LE3868007	1	OWNER'S MANUAL ASSY, MFC840 FOR NOR (INCLUDING OWNER'S MANUAL(1-1), WARRANTY CARD, LICENSE GUIDE, PAPER WIRE EXTENSION(8-9))	
(1)	LE3695008	1	OWNER'S MANUAL ASSY, MFC830 FOR BEL (INCLUDING OWNER'S MANUALS(1-1), WARRANTY CARD, LICENSE GUIDE, PAPER WIRE EXTENSION(8-9))	
(1)	LE3869008	1	OWNER'S MANUAL ASSY, MFC840 FOR BEL (INCLUDING OWNER'S MANUALS(1-1), WARRANTY CARD, LICENSE GUIDE, PAPER WIRE EXTENSION(8-9))	
(1)	LE3721009	1	OWNER'S MANUAL ASSY, MFC840 FOR NLD (INCLUDING OWNER'S MANUAL(1-1), WARRANTY CARD, LICENSE GUIDE, PAPER WIRE EXTENSION(8-9))	
(1)	LE3696010	1	OWNER'S MANUAL ASSY, MFC830 FOR CHE (INCLUDING OWNER'S MANUALS(1-1), WARRANTY CARD, LICENSE GUIDE, PAPER WIRE EXTENSION(8-9))	
(1)	LE3870010	1	OWNER'S MANUAL ASSY, MFC840 FOR CHE (INCLUDING OWNER'S MANUALS(1-1), WARRANTY CARD, LICENSE GUIDE, PAPER WIRE EXTENSION(8-9))	
(1)	LE3738011	1	OWNER'S MANUAL ASSY, MFC840 FOR IRE/ZAF (INCLUDING OWNER'S MANUAL(1-1), WARRANTY CARD, LICENSE GUIDE, PAPER WIRE EXTENSION(8-9))	
(1)	LE3697013	1	OWNER'S MANUAL ASSY, MFC830 FOR DEN (INCLUDING OWNER'S MANUAL(1-1), WARRANTY CARD, LICENSE GUIDE, PAPER WIRE EXTENSION(8-9))	
(1)	LE3871013	1	OWNER'S MANUAL ASSY, MFC840 FOR DEN (INCLUDING OWNER'S MANUAL(1-1), WARRANTY CARD, LICENSE GUIDE, PAPER WIRE EXTENSION(8-9))	
(1)	LE3698015	1	OWNER'S MANUAL ASSY, MFC830 FOR SPA (INCLUDING OWNER'S MANUAL(1-1), WARRANTY CARD, LICENSE GUIDE, PAPER WIRE EXTENSION(8-9))	
(1)	LE3872015	1	OWNER'S MANUAL ASSY, MFC840 FOR SPA (INCLUDING OWNER'S MANUAL(1-1), WARRANTY CARD, LICENSE GUIDE, PAPER WIRE EXTENSION(8-9))	
(1)	LE3699016	1	OWNER'S MANUAL ASSY, MFC830 FOR ITA (INCLUDING OWNER'S MANUAL(1-1), WARRANTY CARD, LICENSE GUIDE, PAPER WIRE EXTENSION(8-9))	
(1)	LE3873016	1	OWNER'S MANUAL ASSY, MFC840 FOR ITA (INCLUDING OWNER'S MANUAL(1-1), WARRANTY CARD, LICENSE GUIDE, PAPER WIRE EXTENSION(8-9))	
(1)	LE3700026	1	OWNER'S MANUAL ASSY, MFC830 FOR SWE (INCLUDING OWNER'S MANUAL(1-1), WARRANTY CARD, LICENSE GUIDE, PAPER WIRE EXTENSION(8-9))	
(1)	LE3874026	1	OWNER'S MANUAL ASSY, MFC840 FOR SWE (INCLUDING OWNER'S MANUAL(1-1), WARRANTY CARD, LICENSE GUIDE, PAPER WIRE EXTENSION(8-9))	

## List9(PRINTED MATERIALS)

REF. NO.	PART CODE	QTY.	DESCRIPTION	REMARKS
(1-1)	LE3534003	1	OWNER'S MANUAL, MFC830 FOR GER/AUT	
(1-1)	LE3655003	1	OWNER'S MANUAL, MFC840 FOR GER	
(1-1)	LE3534004	1	OWNER'S MANUAL FOR UK/IRE/ZAF	
(1-1)	LE3534005	1	OWNER'S MANUAL FOR FRA	
(1-1)	LE3534007	1	OWNER'S MANUAL FOR NOR	
(1-1)	LE3534008	1	OWNER'S MANUAL FOR BEL (DUTCH)	
(1-1)	LE3682008	1	OWNER'S MANUAL FOR BEL/CHE (FRENCH)	
(1-1)	LE3534009	1	OWNER'S MANUAL FOR NLD	
(1-1)	LE3534010	1	OWNER'S MANUAL FOR CHE (GERMAN)	
(1-1)	LE3534013	1	OWNER'S MANUAL FOR DEN	
(1-1)	LE3534015	1	OWNER'S MANUAL FOR SPA	
(1-1)	LE3534016	1	OWNER'S MANUAL FOR ITA	
(1-1)	LE3534026	1	OWNER'S MANUAL FOR SWE	
(1-2)	----		N/A	
(1-3)	----		N/A	

## List10(PACKING)

REF. NO.	PART CODE	QTY.	DESCRIPTION	REMARKS
(1)	LE3535001	1	CARTON, BROTHER, MFC830	
(1)	LE3566001	1	CARTON, BROTHER, MFC840	
(2)	LE3314001	1	STYROFOAM ASSY	
(3)	UE3605001	1	BAG, 800X900H	
(4)	LE3317001	1	CARTON FOR MANUAL	
(5)	LE3318001	1	CARTON FOR ACCESSORIES	
(6)	LE3658001	1	CARRIAGE RETAINER	

**brother**®