

brother®

P-touch

PARTS REFERENCE LIST

MODEL: PT-550

MECHANISMS & ELECTRONICS

NOTE FOR USING THIS PARTS REFERENCE LIST

1. In the case of ordering parts, it needs mentioning the following items:

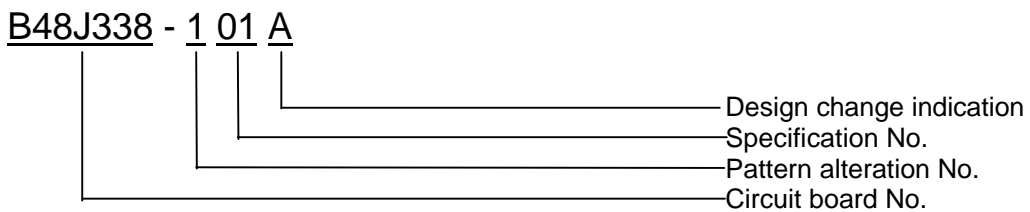
- (1) Code
- (2) Q'ty
- (3) Description
- (4) Symbol (PCB No., Revision , and Parts location mounted on the PCB.)

Note : No orders without Parts Code or Tool No. can be accepted.

[Example]

REF. NO.	SYMBOL	CODE	Q'TY	DESCRIPTION	REMARKS

(4) Revision No. : marked on the printed circuit board.



2. Design-changed parts:

When the parts are changed, any one of the following symbols is indicated in the REMARKS column.

- CHNG#A : compatible between old and new
- CHNG#B : replaceable from old to new
- CHNG#D : incompatible
- ADD : newly established

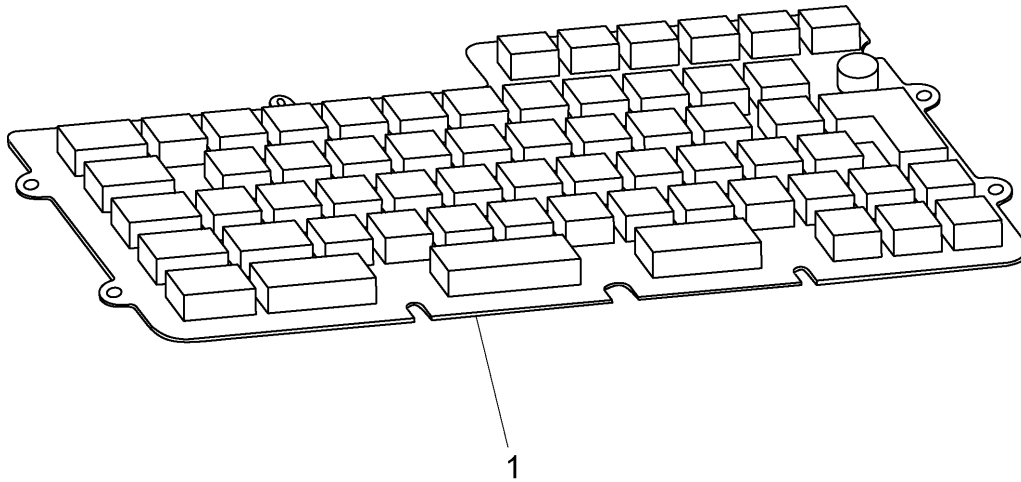
3. The original of this list was made based on the information available in Nov., '97

4. Parts are subject to change in design without prior notice.

CONTENTS

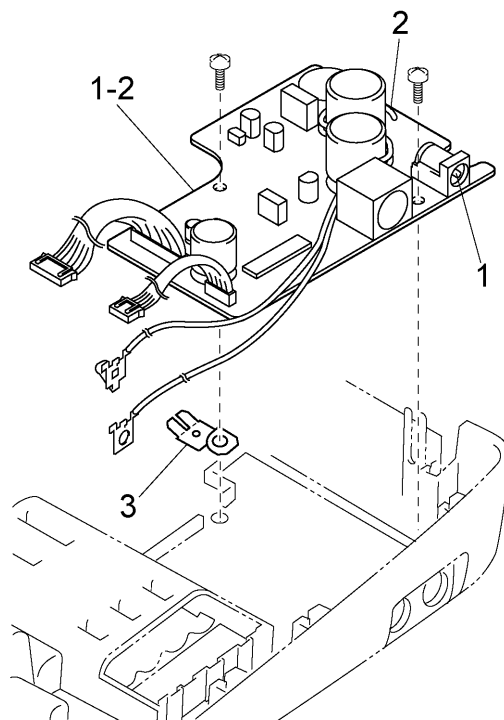
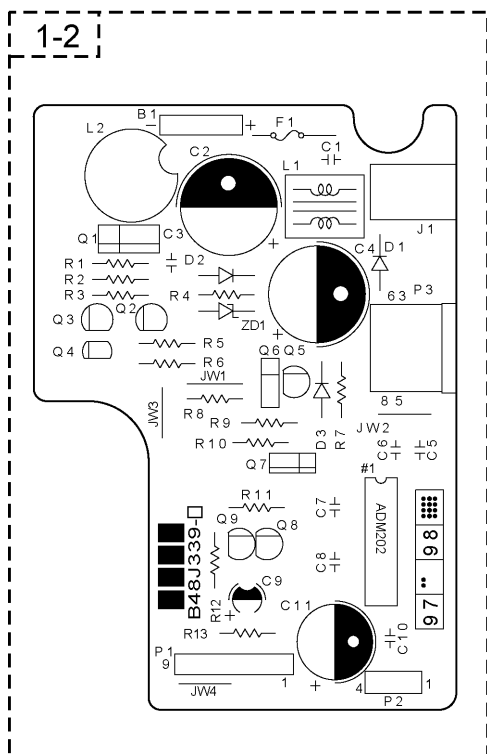
1 . RUBBER KEY.....	1
2 . POWER SUPPLY PCB.....	1
3 . PRINT MECHANISM	3
4 . COVERS	5
5 . MAIN PCB	7
6 . SENSOR	9
7 . ATTACHMENTS.....	9
8 . PRINTED MATTER	11
9 . PACKING MATERIALS.....	13

1 . RUBBER KEYS



MODEL PT-550 (USA/EUROPE) 5V2-412-003

2 . POWER SUPPLY PCB



MODEL PT-550 (USA/EUROPE) 5V2-412-102

1 . RUBBER KEYS

REF.NO.	CODE	Q'TY	DESCRIPTION	REMARKS
1	UT0280001	1	RUBBER 63 KEY GE, GRAY1395 (DEU/AUT)	
1	UT0279001	1	RUBBER 63 KEY UK, GRAY1395 (GBR/IRL/NLD/CHE/DNK/SWE/NOR/ESP)	
1	UT0281001	1	RUBBER 63 KEY FR, GRAY1395 (FRA)	
1	UT0282001	1	RUBBER 63 KEY BG, GRAY1395 (BEL/PRT)	
1	UT0278001	1	RUBBER 63 KEY US, GRAY1267 (USA)	

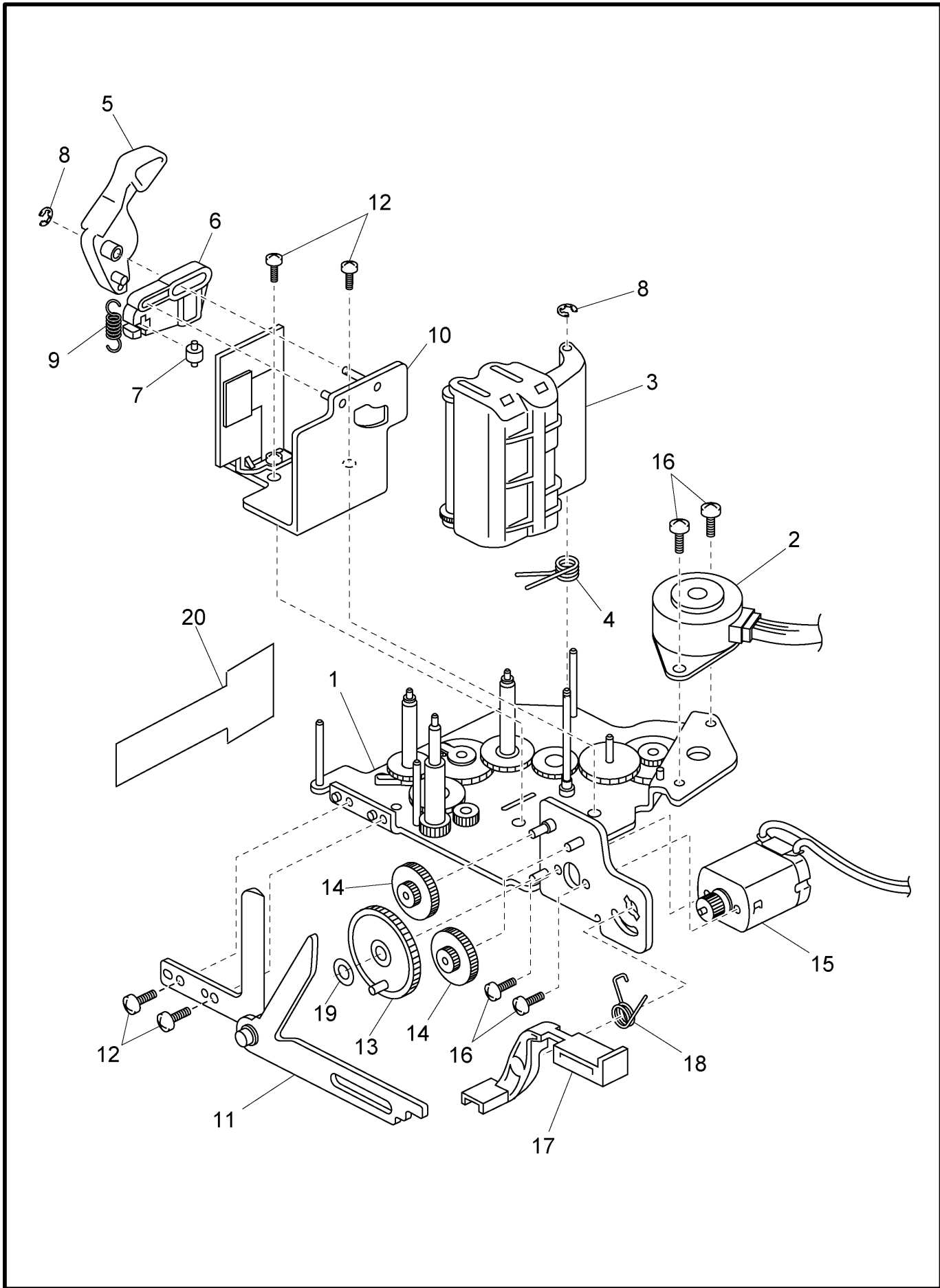
MODEL PT-550 (USA/EUROPE) 5V2-412-003

2 . POWER SUPPLY PCB

REF.NO.	SYMBOL	CODE	Q'TY	DESCRIPTION	REMARKS
1-2	B48J339-2C	UT0423001	1	PS PCB ASSY 550, EU (EUROPE)	
1-2	B48J339-2C	UT0418001	1	PS PCB ASSY 530, US (USA)	
1	J1	W00325001	1	JACK, HEC0470	
2	F1	UN0999000	1	FUSE, 125V4A	
3		UN4594000	1	GROUND PLATE 350	

MODEL PT-550 (USA/EUROPE) 5V2-412-102

3 . PRINT MECHANISM



MODEL PT-550 (USA/EUROPE) 5V2-412-045

3 . PRINT MECHANISM

PT2000026

REF.NO.	CODE	Q'TY	DESCRIPTION	REMARKS
1	UT0283001	1	CHASSIS 550 ASSY (EUROPE)	
1	UT0204001	1	CHASSIS 530 ASSY (USA)	
2	Z26490001	1	TAPE FEED MOTOR	
3	UT0224001	1	ROLLER HOLDER ASSY	
4	UN0039001	1	ROLLER HOLDER RELEASE SPRING	
5	UT0239000	1	RELEASE LEVER	
6	UT0240000	1	RELEASE ROD	
7	UB5507000	1	RELEASE ROD ROLLER	
8	048025346	2	RETAINING RING, E2.5	
9	UT0241001	1	RELEASE LEVER SPRING	
10	UT0242001	1	HEAD 530 ASSY	
11	LA4062001	1	CUTTER ASSY (SP)	CHNG#A
12	060300516	4	SCREW, BIND M3X5	
13	UT0252001	1	CUTTER MOVING GEAR	
14	UT0254000	2	CUTTER DOUBLE GEAR	
15	UT0401001	1	CUTTER MOTOR ASSY	
16	UB3848001	4	SCREW, PAN M2.6X3.5	
17	UT0255000	1	ACTUATOR	
18	UT0256001	1	SPRING	
19	UB3733001	1	WASHER 2.6	
20	U62189000	1	PLATEN PROTECT PAD	

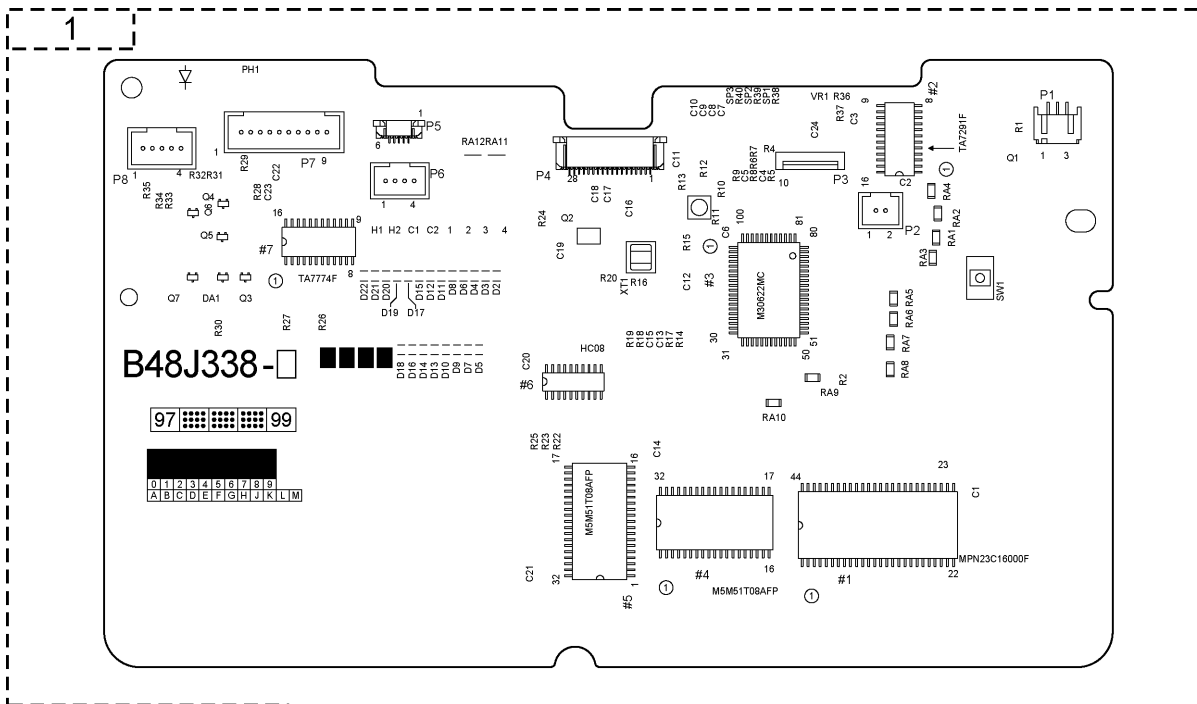
MODEL PT-550 (USA/EUROPE) 5V2-412-045

4 . COVERS

REF.NO.	CODE	Q'TY	DESCRIPTION	REMARKS
1	UT0289001	1	BODY COVER 550 GE, GRAY1395 (DEU/AUT)	
1	UT0288001	1	BODY COVER 550 UK, GRAY1395 (GBR/IRL/NLD/CHE/DNK/SWE/BEL/PRT/NOR/ESP)	
1	UT0290001	1	BODY COVER 550 FR, GRAY1395 (FRA)	
1	UT0287001	1	BODY COVER 550 US, WHITE1397 (USA)	
2	UT0294001	1	LCD PANEL 550 GE (DEU/AUT)	
2	UT0293001	1	LCD PANEL 550 UK (GBR/IRL/NLD/CHE/DNK/SWE/BEL/PRT/NOR/ESP)	
2	UT0295001	1	LCD PANEL 550 FR (FRA)	
2	UT0292001	1	LCD PANEL 550 US (USA)	
3	UT0259001	1	LCD HOLDER	
4	UT0260003	1	COVER BUTTON, GRAY1395 (EUROPE)	
4	UT0260002	1	COVER BUTTON, WHITE1397 (USA)	
5	UT0261001	1	COVER LOCK LEVER	
6	UT0262001	1	LOCK LEVER SPRING	
7	UT0297001	1	CASSETTE COVER 550UK, GRAY1395 (EUROPE)	
7	UT0296001	1	CASSETTE COVER 550US, WHITE1397 (USA)	
8	UT0299001	1	CASSETTE WINDOW 550 UK (EUROPE)	
8	UT0298001	1	CASSETTE WINDOW 550 US (USA)	
9	UT0300001	1	BOTTOM COVER 550 UK, GRAY1395 (EUROPE)	
9	UT0265002	1	BOTTOM COVER 530/550 US, WHITE1397 (USA)	
10	UT0266003	1	BLIND COVER, GRAY1395 (EUROPE)	
10	UT0266002	1	BLIND COVER, WHITE1397 (USA)	
11	UN0940003	1	BATTERY LID PEN, GRAY1395 (EUROPE)	
11	UN0940002	1	BATTERY LID PEN, WHITE1397 (USA)	
12	UT0267001	1	LETTERING STICK TZ36	
13	UB4431001	2	LOWER FOOT	
14	UB3719000	3	BATTERY TERMINAL	
15	U05404003	7	TAPTITE, BIND B M3X8	
16	085270615	7	TAPTITE, BIND B M2.6X6	
17	083270815	2	TAPTITE, PAN B M2.6X8 (EUROPE)	
18	UB0022001	1	FCC LABEL (USA)	
19	UB7372001	1	ADAPTER CAUTION LABEL (USA)	
20	UN0732001	1	CAUTION LABEL MID (USA)	
21	UN0180001	1	CAUTION LABEL MID, EC (EUROPE)	
22	UT0304001	1	MYLAR LABEL 530/550 US (USA)	
23	UN0804001	1	BATTERY CAUTION LABEL (USA)	

MODEL PT-550 (USA/EUROPE) 5V2-412-061

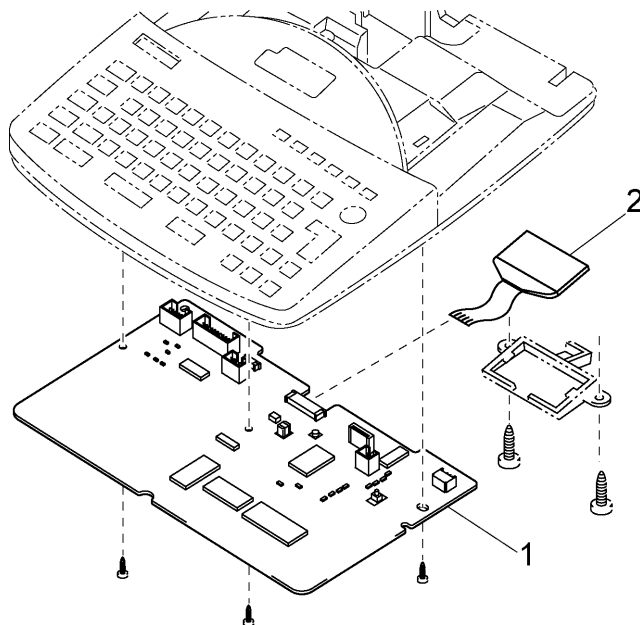
5. MAIN PCB



SPEC. NO. TABLE

04	BEL.D/F	H	H	H	L
03	FRENCH	H	H	L	H
02	GERMAN	H	L	H	H
01	GBR.ENGLISH	L	H	H	H
00	550 USA.ENGLISH	H	H	H	H
SPEC. CODE	KEYBOARD SPEC.	1	2	3	4
		SOLDER POINT			

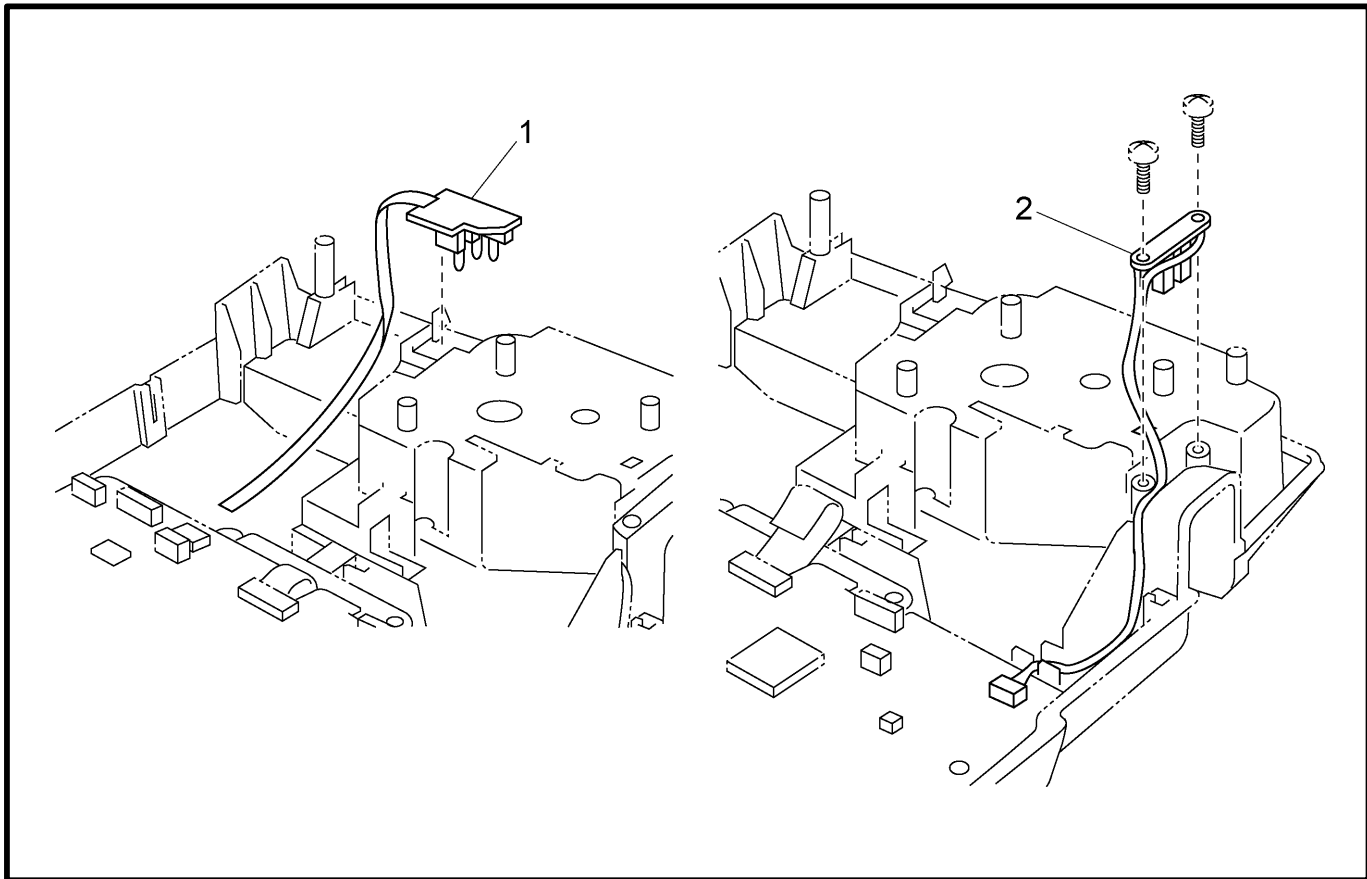
H: DO NOT SOLDER
L: SOLDER



5 . MAIN PCB

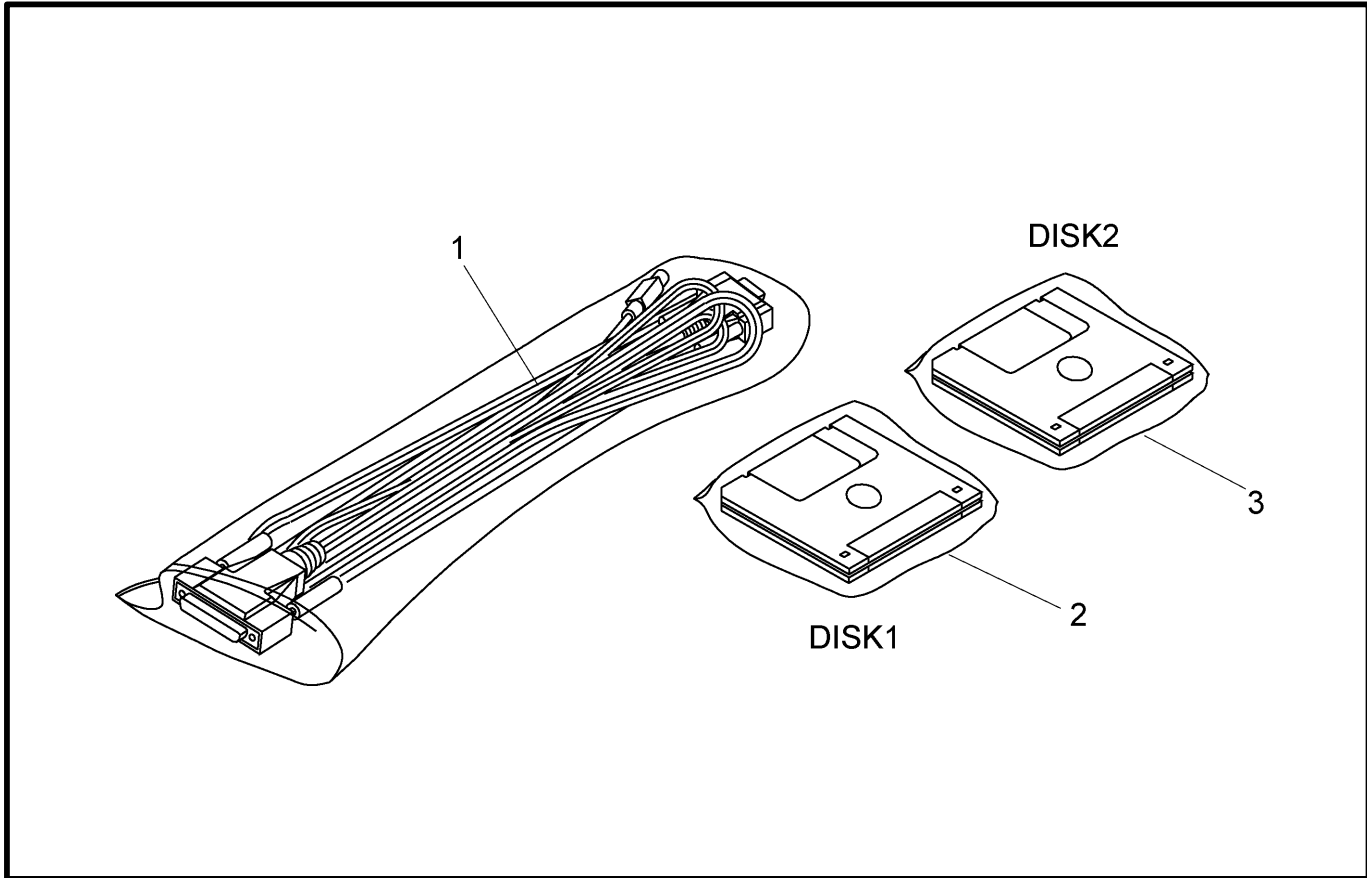
REF.NO.	SYMBOL	CODE	QTY	DESCRIPTION	REMARKS
1	B48J338-102	LA5152002	1	MAIN PCB ASSY 550E (DEU/AUT)	
1	B48J338-101	LA5152001	1	MAIN PCB ASSY 550E (GBR/IRL/NLD/CHE/DNK/SWE/NOR/ESP)	
1	B48J338-103	LA5152003	1	MAIN PCB ASSY 550E (FRA)	
1	B48J338-104	LA5152004	1	MAIN PCB ASSY 550E (BEL/PRT)	
1	B48J338-100	LA5153001	1	MAIN PCB ASSY 550 (USA)	
2		UT0417000	1	LCD MODULE 550	

6 . SENSOR



MODEL PT-550 (USA/EUROPE) 5V2-412-100

7 . ATTACHMENTS



MODEL PT-550 (USA/EUROPE) 5V2-412-910

6 . SENSOR

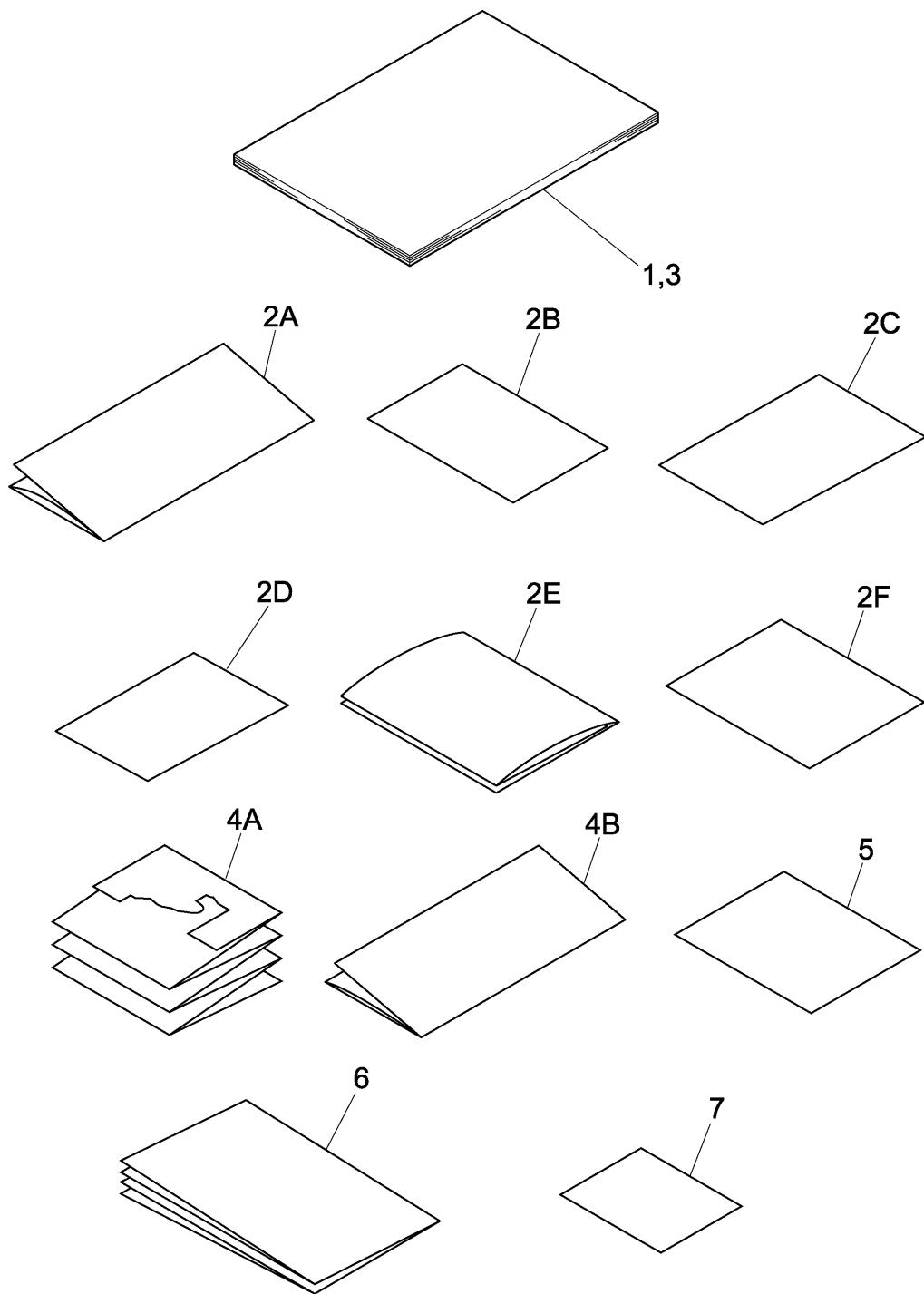
REF.NO.	SYMBOL	CODE	Q'TY	DESCRIPTION	REMARKS
1	B48J340-1A	UT0425001	1	SENSOR PCB ASSY 530	
2	B48J204-1	UN3360001	1	TAPE SENSOR PCB ASSY C (EUROPE)	

MODEL PT-550 (USA/EUROPE) 5V2-412-100

7 . ATTACHMENTS

REF.NO.	SYMBOL	CODE	Q'TY	DESCRIPTION	REMARKS
1		UN5161001	1	I/F CABLE DSE (EUROPE)	
2		UN6111001	1	FD ASSY WIN-A-GER (DEU/CHE/AUT)	
2		UN6115001	1	FD ASSY WIN-A-UK (GBR/IRL/DNK/PRT/ESP)	
2		UN6119001	1	FD ASSY WIN-A-FR (FRA/CHE/BEL)	
2		UN6131001	1	FD ASSY WIN-A-NLD (NLD/BEL)	
2		UN6123001	1	FD ASSY WIN-A-SWE (SWE)	
2		UN6127001	1	FD ASSY WIN-A-NOR (NOR)	
3		UN6113001	1	FD ASSY WIN-B-GER (DEU/CHE/AUT)	
3		UN6117001	1	FD ASSY WIN-B-UK (GBR/IRL/DNK/PRT/ESP)	
3		UN6121001	1	FD ASSY WIN-B-FR (FRA/CHE/BEL)	
3		UN6133001	1	FD ASSY WIN-B-NLD (NLD/BEL)	
3		UN6125001	1	FD ASSY WIN-B-SWE (SWE)	
3		UN6129001	1	FD ASSY WIN-B-NOR (NOR)	

MODEL PT-550 (USA/EUROPE) 5V2-412-910



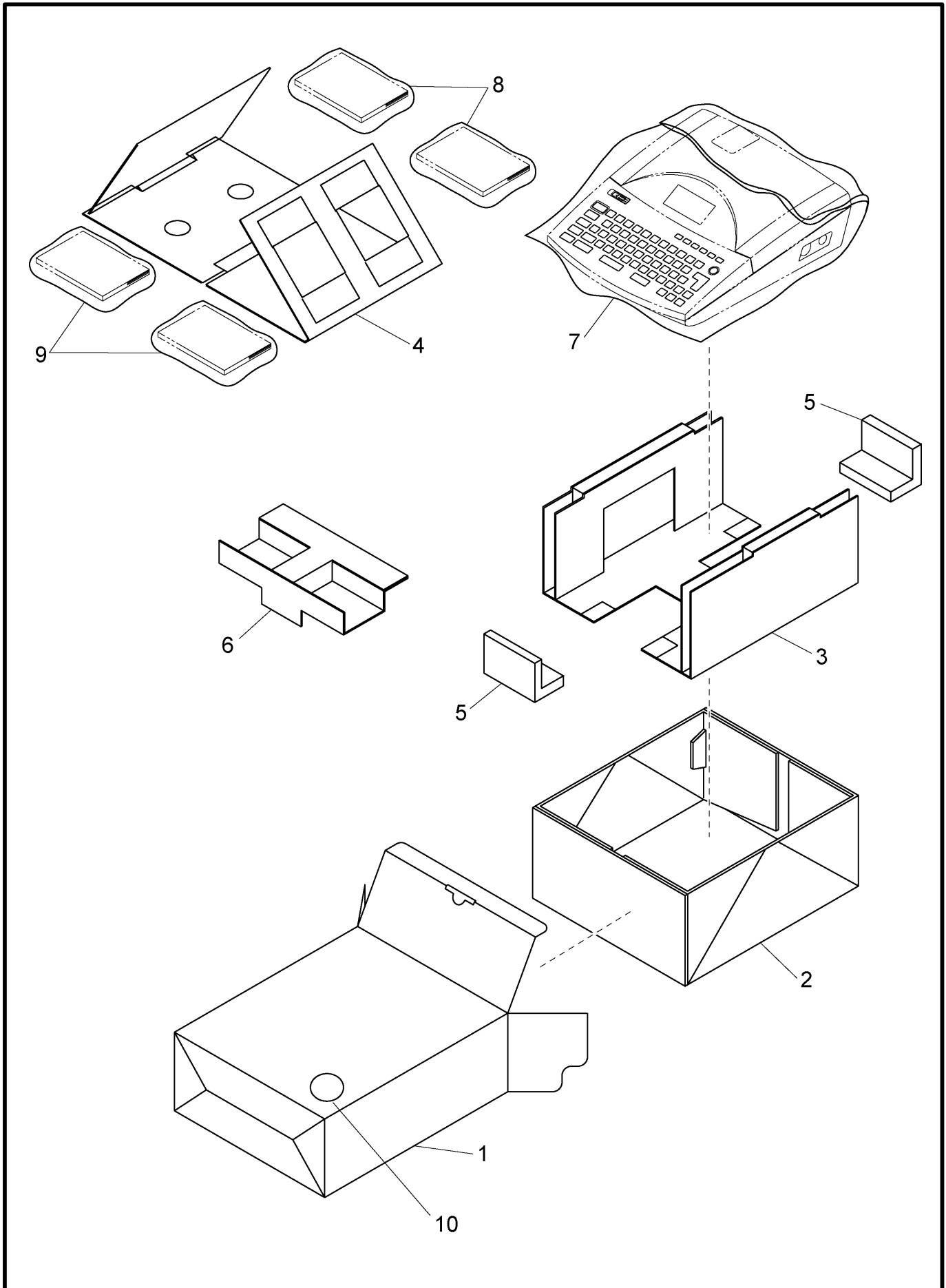
8 . PRINTED MATTER

PT2002028

REF.NO.	SYMBOL	CODE	QTY	DESCRIPTION	REMARKS
1		UT0309001	1	USER'S MANUAL 550, GERMAN (DEU/AUT)	
1		UT0308001	1	USER'S MANUAL 550, GBR.ENGLISH (GBR/IRL/PRT)	
1		UT0310001	1	USER'S MANUAL 550, FRENCH (FRA)	
1		UT0314001	1	USER'S MANUAL 550, DUTCH (NLD/BEL)	
1	A	UT0311001	1	USER'S MANUAL 550, CHE.FRENCH (CHE/BEL)	
1	A	UT0312001	1	USER'S MANUAL 550, CHE.GERMAN (CHE)	
1		UT0319001	1	USER'S MANUAL 550, DANISH (DNK)	
1		UT0315001	1	USER'S MANUAL 550, SWEDISH (SWE)	
1	A	UT0313001	1	USER'S MANUAL 550, NORWEGIAN (NOR)	
1		UT0316001	1	USER'S MANUAL 550, SPANISH (ESP)	
2A	E	UH3851001	1	WARRANTY CARD EUR (DEU/GBR/FRA/NLD/CHE/DNK/SWE /AUT/BEL/NOR/ESP)	
2B		UH3662001	1	WARRANTY CARD UK-A (GBR)	
2C		LE5115001	1	WARRANTY CARD SWE-A (SWE)	
2D	A	UH3663001	1	WARRANTY CARD UK-B (GBR)	
2E	B	LA4058001	1	WARRANTY CARD US JP (USA)	CHNG#B
2F		UB3650001	1	WARRANTY CARD, FRENCH (FRA)	
3		UN6143001	1	USER'S MANUAL WIN, GERMAN (DEU/CHE/AUT)	
3		UN6144001	1	USER'S MANUAL WIN, GBR.ENGLISH (GBR/IRL/DNK/PRT)	
3		UN6146001	1	USER'S MANUAL WIN, DUTCH (NLD/BEL)	
3		UN6147001	1	USER'S MANUAL WIN, SWEDISH (SWE)	
3	A	UN6148001	1	USER'S MANUAL WIN, NORWEGIAN (NOR)	
3		UT0324001	1	USER'S MANUAL WIN, SPANISH (ESP)	
3	A	UT0271001	1	USER'S MANUAL 530/550, USA.ENG (USA)	
3		UN6145001	1	USRE'S MANUAL WIN, FRENCH (FRA/CHE/BEL)	
4A	A	UN4239001	1	TAPE CATALOG UK (EUROPE)	
4B	C	UT0325001	1	TAPE CATALOG US (USA)	
5		UT0350001	1	UNPACKING INSTRUCTION 550	
6	A	LA1825001	1	ACCESSORY ORDER FORM, US (USA)	
7		LA4040001	1	INSERTION SHEET 550 EUR (EUROPE)	

MODEL PT-550 (USA/EUROPE) 5V2-412-920

9 . PACKING MATERIALS



MODEL PT-550 (USA/EUROPE) 5V2-412-930

9 . PACKING MATERIALS

REF.NO.	CODE	Q'TY	DESCRIPTION	REMARKS
1	UT0321001	1	CARTON 550 UK (EUROPE)	
1	UT0320001	1	CARTON 550 US (USA)	
2	UT0330000	1	BODY PAD A 530/550	
3	UT0331000	1	BODY PAD B 530/550	
4	UT0332000	1	USER'S MANUAL PAD 530/550	
5	UT0333000	2	CUSIONING MATERIAL 530/550	
6	UT0334000	1	STAMP PAD 530/550	
7	LA8020001	1	BAG, 400X580H	
8	LA6867001	1	BAG, 215X360H (EXCEPT CHE)	
8	LA6867001	2	BAG, 215X360H (CHE)	
9	LA6867001	1	BAG, 215X360H (EXCEPT CHE/USA/ESP)	
9	LA6867001	2	BAG, 215X360H (CHE)	
10	LA4516001	1	ADDITIONAL LABEL (GBR)	

MODEL PT-550 (USA/EUROPE) 5V2-412-930

brother®

Nov., '97
5V2067BE0
Printed in Japan