



P-touch

PARTS REFERENCE LIST

MODEL: PT-3600 (For Europe/Australia)

MECHANISMS & ELECTRONICS

NOTES FOR USING THIS PARTS REFERENCE LIST

1. When ordering parts, inform us of the following items:

- (1) Code
- (2) Q'ty
- (3) Description
- (4) Symbol (PCB No., Revision, and Parts location mounted on the PCB.)

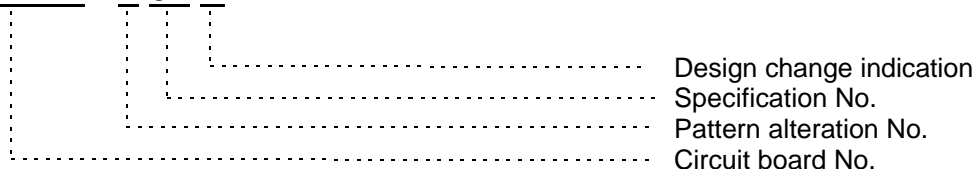
Note : Orders without Parts Code or Tool No. cannot be accepted.

[Example]

REF. NO.	SYMBOL	CODE	Q'TY	DESCRIPTION	REMARKS
					R

Revision No. : marked on the printed circuit board.

B55L142 - 1 01 A



2. Design-changed parts:

When the parts are design-changed, any one of the following symbols is indicated in the REMARKS column.

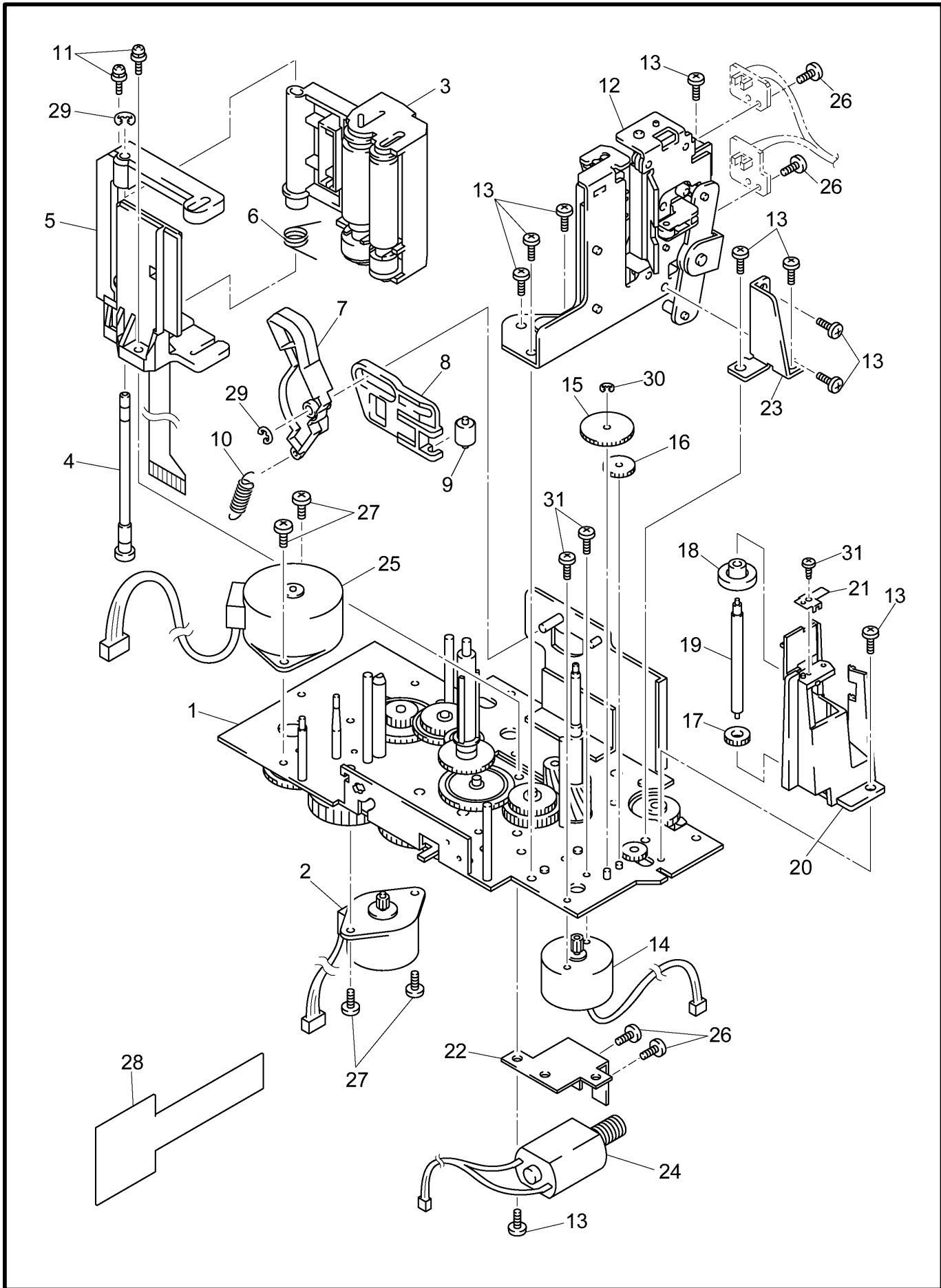
- CHNG#A: compatible between old and new
- CHNG#B: replaceable from old to new
- CHNG#D : incompatible
- ADD : newly added

- 3. Parts marked with an "R" in the REMARKS column are recommended spare parts.
- 4. The original of this list was made based on the information as of November, 2002.
- 5. Parts are subject to change in design without prior notice.

CONTENTS

1 . PRINT MECHANISM.....	1
2 . COVERS.....	3
3 . RUBBER KEY	5
4 . SENSORS	5
5 . MAIN PCB	7
6 . LCD PCB	9
7 . ATTACHMENTS	9
8 . PRINTED MATTER.....	11
9 . PACKING MATERIALS.....	11

1 . PRINT MECHANISM

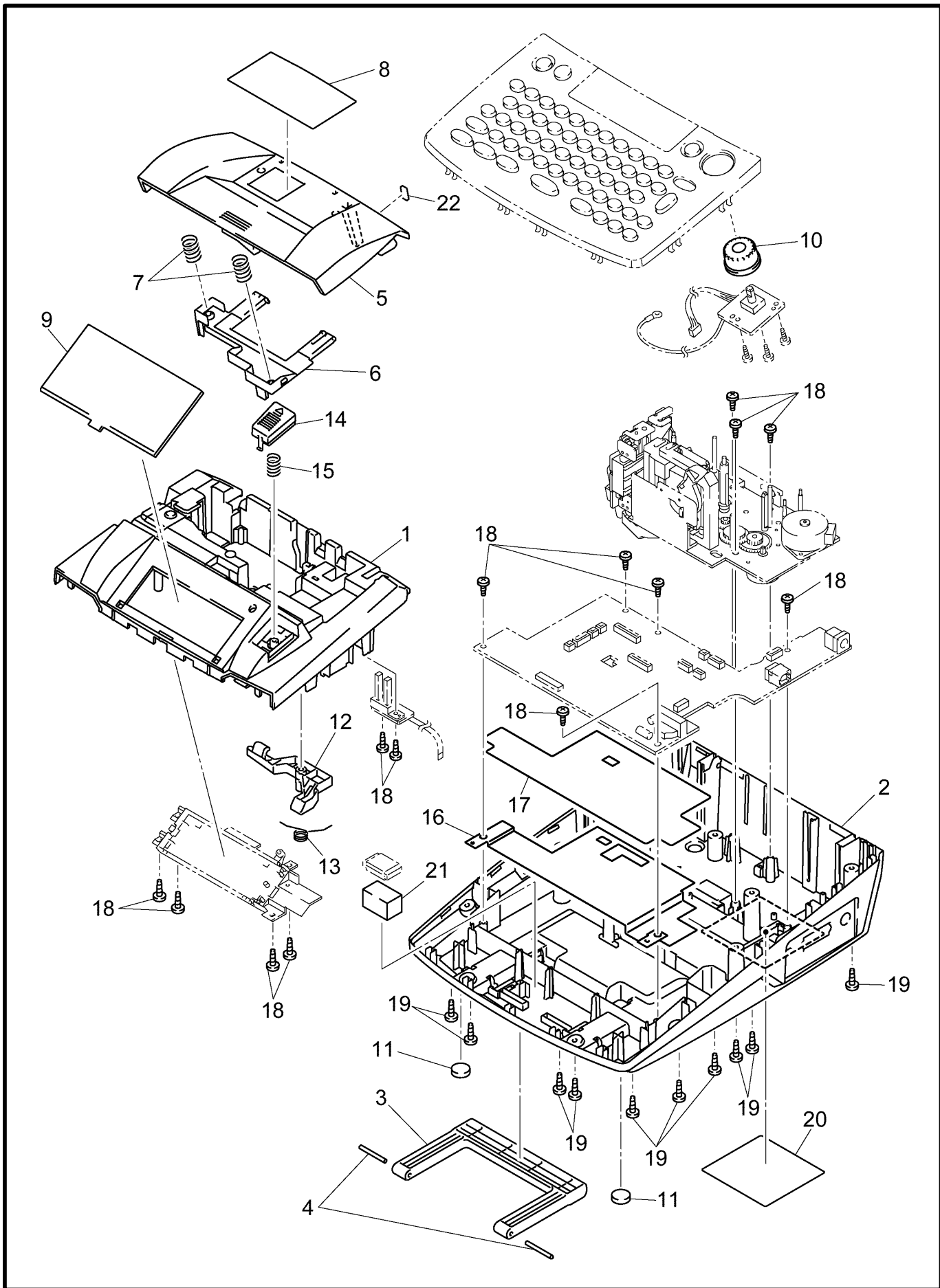


MODEL PT-3600 (For Europe) 8V2-713-045

1 . PRINT MECHANISM

REF.NO.	CODE	Q'TY	DESCRIPTION	REMARKS
1	LA8191001	1	CHASSIS 3600 ASSY	R
2	LA8436001	1	TAPE FEED MOTOR ASSY	
3	LA8984001	1	ROLLER HOLDER ASSY 3600 (SP)	R
4	UT0895001	1	ROLLER HOLDER SHAFT	
5	LA2071001	1	HEAD ASSY, KSH384 BW3 (SP)	R
6	UT0901001	1	ROLLER HOLDER RELEASE SPRING	
7	UT0239000	1	RELEASE LEVER	
8	UT0240000	1	RELEASE ROD	
9	UB5507000	1	RELEASE ROD ROLLER	
10	UT1549001	1	RELEASE LEVER SPRING PRO	
11	0A4300805	2	SCREW, PAN (S/P WASHER) M3X8	
12	LA8986001	1	HALF CUTTER CHASSIS ASSY (SP)	R
13	000300615	10	SCREW, BIND M3X6	
14	LA8239001	1	EJECT MOTOR ASSY	R
15	LA3057000	1	DOUBLE GEAR 1	
16	LA8553001	1	EJECT IDLE GEAR	
17	LA8440001	1	EJECT GEAR	
18	LA8241001	1	EJECT RUBBER	
19	LA8242001	1	EJECT ROLLER SHAFT	
20	LA8243001	1	TAPE GUIDE	
21	LA8554001	1	EJECT SHAFT SPRING	
22	LA8244001	1	HC MOTOR HOLDER	
23	LA8555001	1	HC SUPPORT PLATE	
24	LA8245001	1	CARRIAGE MOTOR 3600 ASSY	R
25	LA8246001	1	TAPE CONTROL MOTOR 3600 ASSY	R
26	000020405	4	SCREW, BIND M2X4	
27	060260516	4	SCREW, BIND M2.6X5	
28	U62189000	1	PLATEN PROTECT PAD	
29	048025346	2	RETAINING RING, E2.5	
30	048015346	1	RETAINING RING, E1.5	
31	LA8420001	3	SCREW, PAN 1.7X3	

2. COVERS



MODEL PT-3600 (For Europe) 8V2-713-061

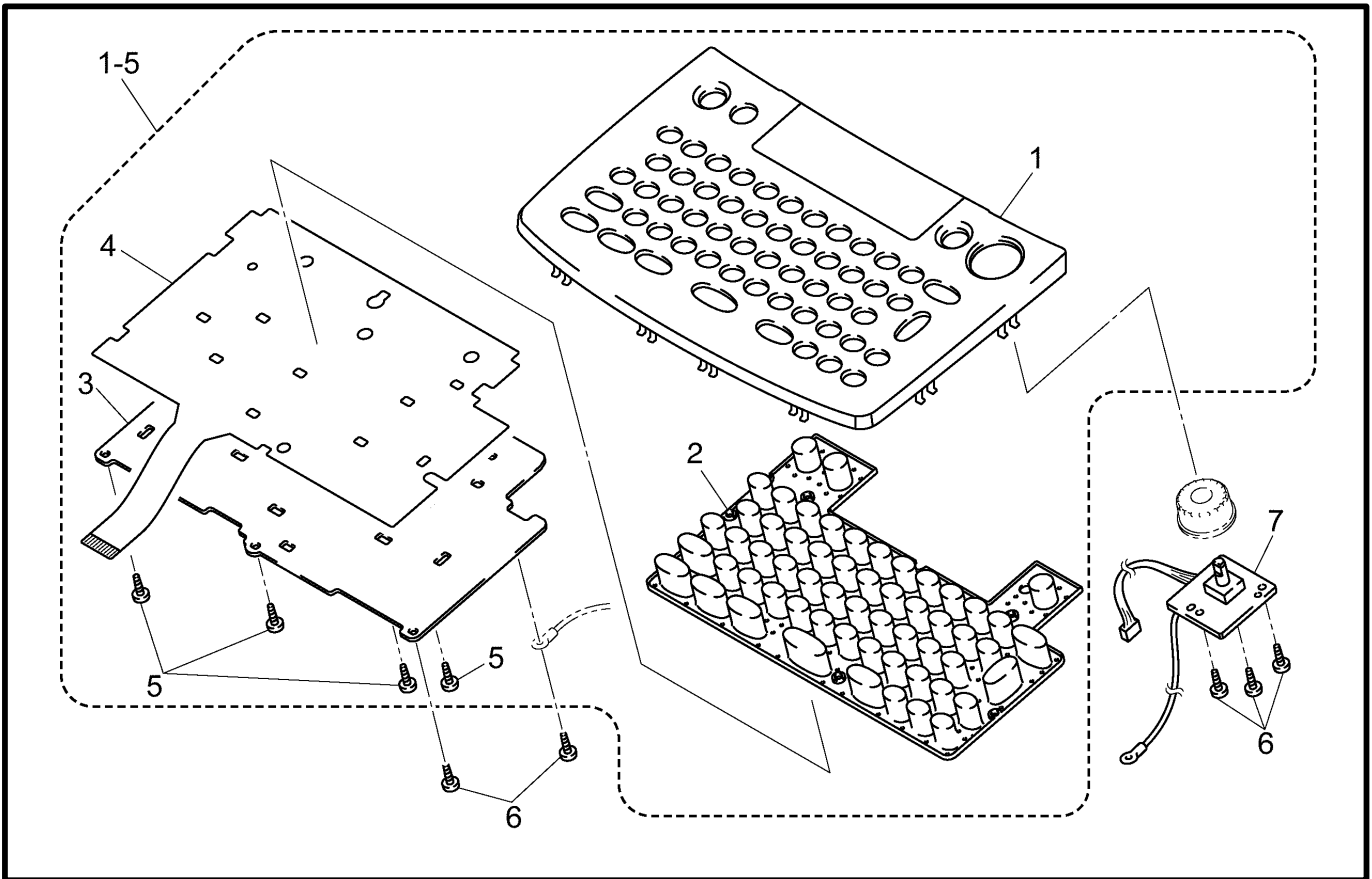
2 . COVERS

PtPn020058

REF.NO.	CODE	Q'TY	DESCRIPTION	REMARKS
1	LA8347001	1	BODY COVER 3600	R
2	LA8350001	1	BOTTOM COVER 3600	R
3	LA8253002	1	HANDLE 9600	R
4	U05810001	2	HANDLE SHAFT	R
5	LA8351002	1	CASSETTE COVER 3600	R
6	LA8255001	1	CASSETTE PRESSER	
7	LA8256001	2	CASSETTE PRESSER SPRING	
8	LA8363001	1	TAPE PANEL 3600 EC	R
9	LA8364001	1	LCD PANEL 3600 GE (DEU/AUT)	R
9	LA8369001	1	LCD PANEL 3600 UK (GBR/IRL/NLD/CHE/DNK/SWE/ITA/BEL/FIN/NOR/ESP/ZAF/AUS)	R, ADD
9	LA8372001	1	LCD PANEL 3600 FR (FRA)	R
10	LA7417001	1	NAVI DIAL 1850 GE (DEU/AUT)	R
10	LA7432001	1	NAVI DIAL 1850 UK (GBR/IRL/NLD/CHE/DNK/SWE/ITA/BEL/FIN/NOR/ESP/ZAF/AUS)	R, ADD
10	LA7436001	1	NAVI DIAL 1850 FR (FRA)	R
11	LA5753001	2	LOWER FOOT 2300	
12	LA8354001	1	LOCK ARM	
13	LA8262001	1	LOCK ARM RETURN SPRING	
14	LA8263002	1	RELEASE BUTTON	
15	UT1489001	1	RELEASE BUTTON RETURN SPRING	
16	LA8308001	1	SHIELD PLATE D	
17	LA8264001	1	SHEET A	
18	085270817	14	TAPTITE, BIND B M2.6X8	
19	085271017	12	TAPTITE, BIND B M2.6X10	
20	LA8366001	1	CAUTION LABEL 3600 EC	
21	LA8963000	1	CORE CUSHION	
22	LA9349001	1	BRAKE PAD 3600	
23	LA4998001	1	C-TICK MARK (AUS)	ADD

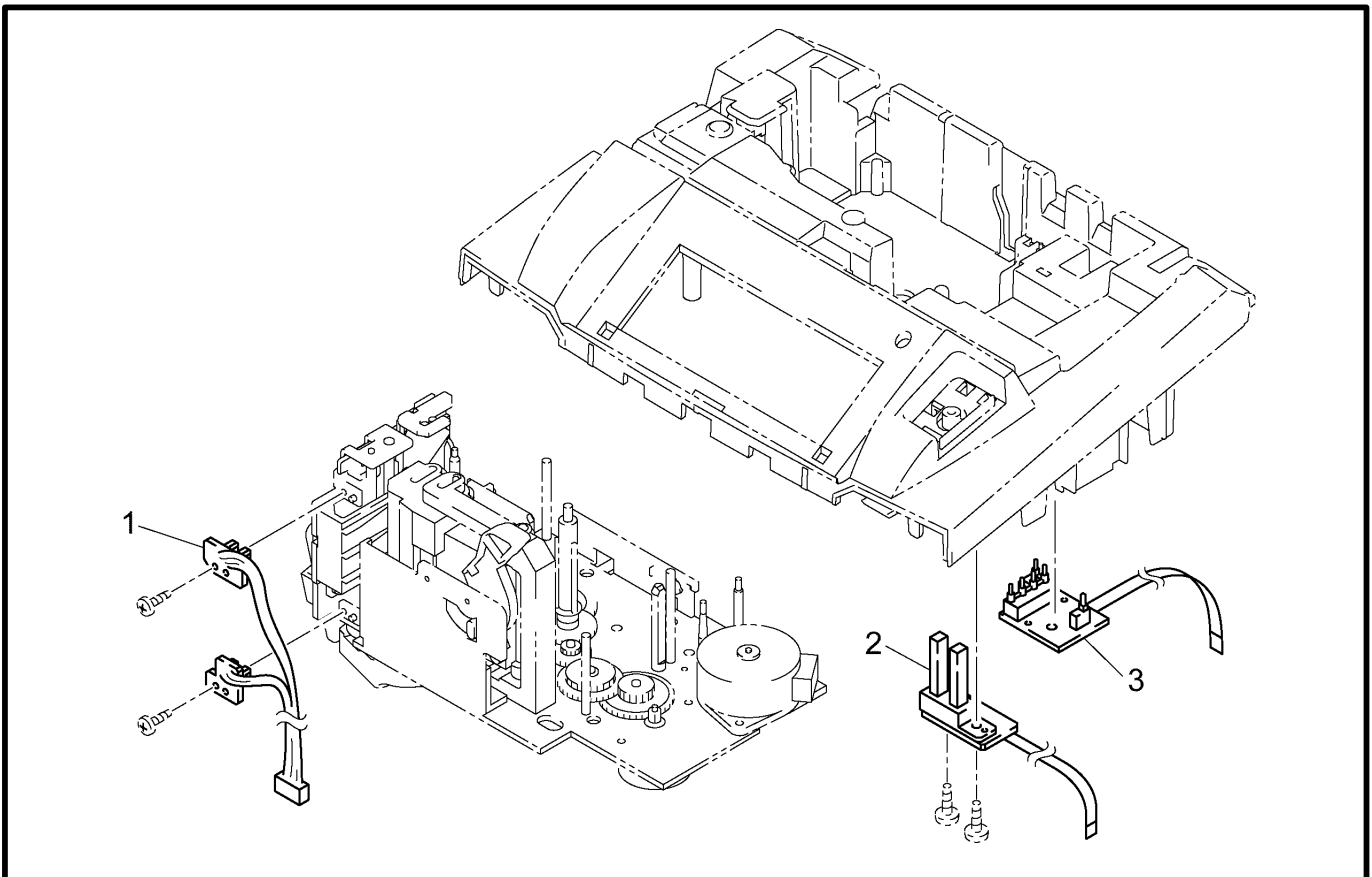
MODEL PT-3600 (For Europe) 8V2-713-061

3. RUBBER KEY



MODEL PT-3600 (For Europe) 8V2-713-003

4. SENSORS



MODEL PT-3600 (For Europe) 8V2-713-100

3 . RUBBER KEY

PtPn020058

REF.NO.	SYMBOL	CODE	Q'TY	DESCRIPTION	REMARKS
1-5		LA9309001	1	RUBBER KEY UNIT 3600 GE (DEU/AUT)	R
1-5		LA9310001	1	RUBBER KEY UNIT 3600 UK (GBR/IRL/NLD/CHE/DNK/SWE/ITA /FIN/NOR/ESP/ZAF)	R
1-5		LA9311001	1	RUBBER KEY UNIT 3600 FR (FRA)	R
1-5		LA9312001	1	RUBBER KEY UNIT 3600 BG (BEL)	R
1-5		LN0021001	1	RUBBER KEY UNIT 3600 AUS (AUS)	ADD
1		LA8362001	1	BODY KB COVER 3600 GE (DEU/AUT)	
1		LA8368001	1	BODY KB COVER 3600 UK (GBR/IRL/NLD/CHE/DNK/SWE/ITA /BEL/ FIN/NOR/ESP/ZAF/AUS)	ADD
1		LA8371001	1	BODY KB COVER 3600 FR (FRA)	
2		LA8183001	1	RUBBER KEY 3600 GE (DEU/AUT)	
2		LA8184001	1	RUBBER KEY 3600 UK (GBR/IRL/NLD/CHE/DNK/SWE/ITA/FIN /NOR/ESP/ZAF)	
2		LA8185001	1	RUBBER KEY 3600 FR (FRA)	
2		LA8186001	1	RUBBER KEY 3600 BG (BEL)	
2		LN0023001	1	RUBBER KEY 3600 AUS (AUS)	ADD
3		LA8189001	1	FIX PLATE	
4	B55L137-1	LA8190001	1	PCB, B55L137	
5		085270817	4	TAPTITE, BIND B M2.6X8 (FIX PLATE)	
6		085270817	5	TAPTITE, BIND B M2.6X8 (JOG PCB/FIX PLATE)	
7	B55L139-1	LA8305001	1	JOG PCB ASSY 9600	R

MODEL PT-3600 (For Europe) 8V2-713-003

4 . SENSORS

REF.NO.	SYMBOL	CODE	Q'TY	DESCRIPTION	REMARKS
1	B55L144-1/145-1	LA8270001	1	CUTTER SENSOR PCB ASSY 9600	R
2	B55L141-1	LA8274001	1	TAPE END SENSOR PCB ASSY 9600	R
3	B55L026-1	LA8277001	1	CASSETTE SENSOR PCB ASSY 9600	R

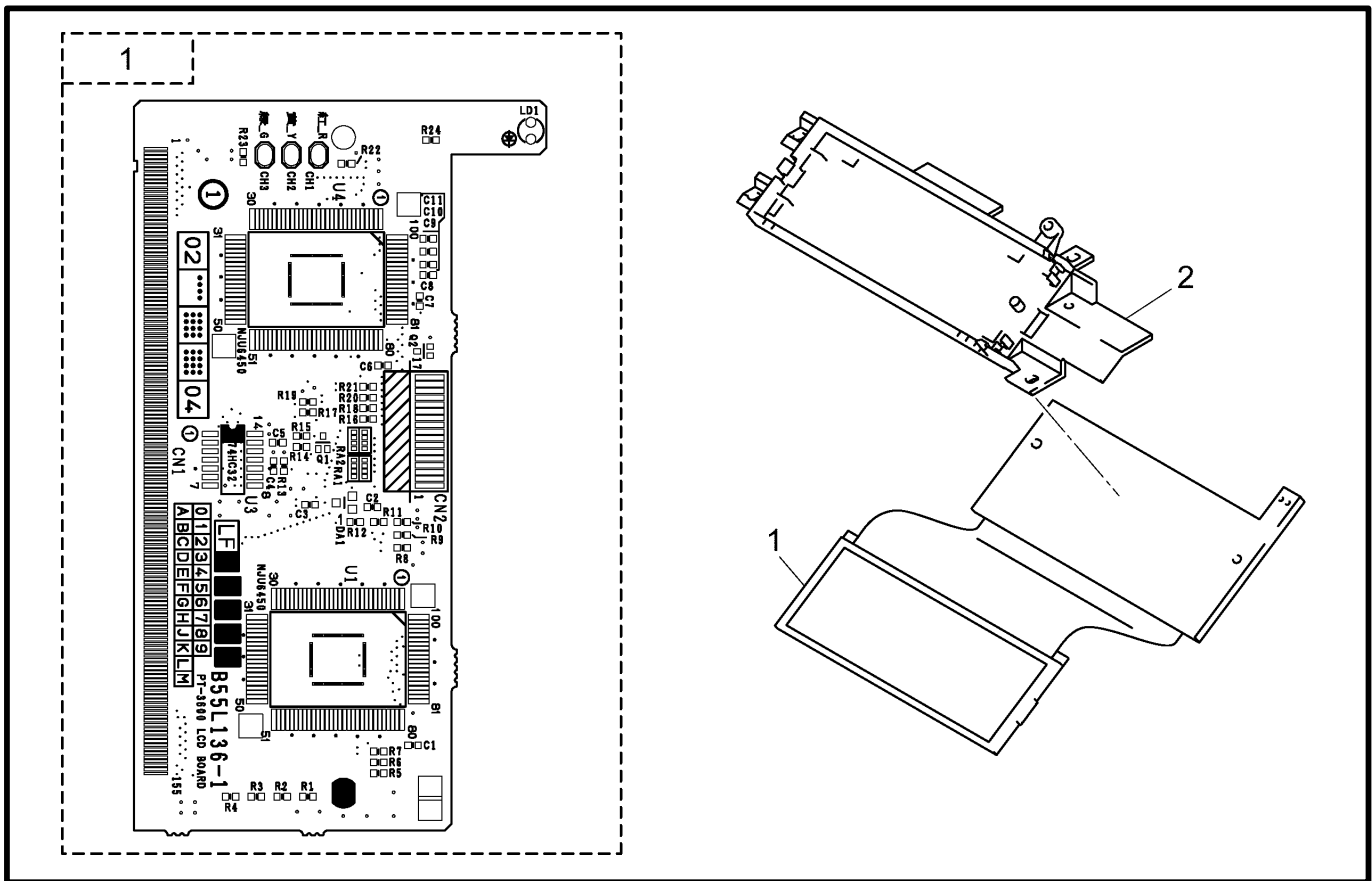
MODEL PT-3600 (For Europe) 8V2-713-100

5 . MAIN PCB

REF.NO.	SYMBOL	CODE	Q'TY	DESCRIPTION	REMARKS
1-2	B55L142-1	LA8367001	1	MAIN PCB ASSY 3600 EC	R
1	B1	UT1335000	1	LITHIUM BATTERY (CR2032HE4)	
2	F1	UN0999000	1	FUSE, 125V4A	

MODEL PT-3600 (For Europe) 8V2-713-101

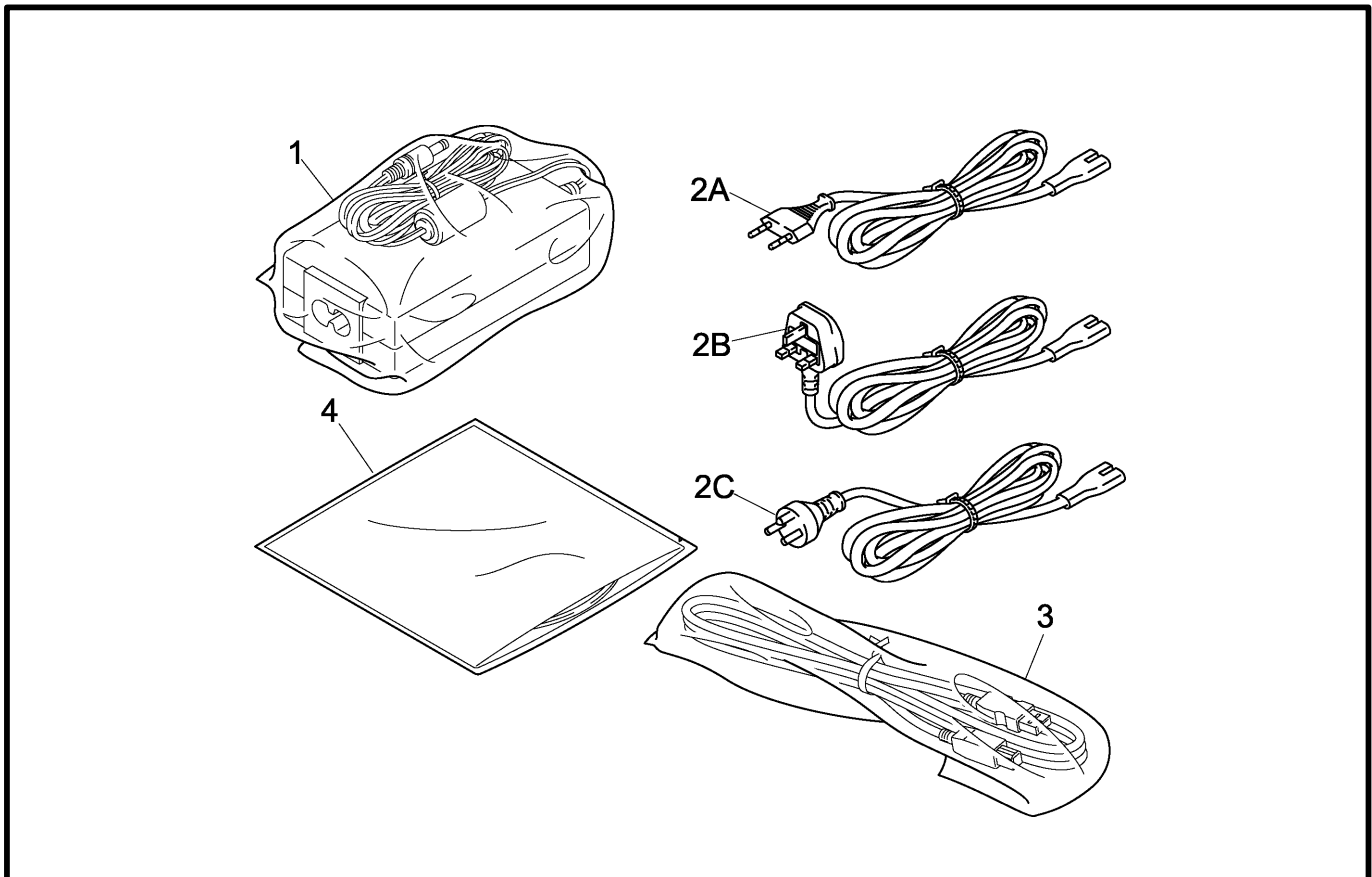
6 . LCD PCB



MODEL PT-3600 (For Europe) 8V2-713-108

7 . ATTACHMENTS

PtPn020054



MODEL PT-3600 (For Europe) 8V2-713-910

6 . LCD PCB

REF.NO.	SYMBOL	CODE	Q'TY	DESCRIPTION	REMARKS
1	B55L136-1	LA8359001	1	LCD PCB ASSY PT3600	R
2		LA8290001	1	LCD HOLDER PT9600	

MODEL PT-3600 (For Europe) 8V2-713-108

7 . ATTACHMENTS

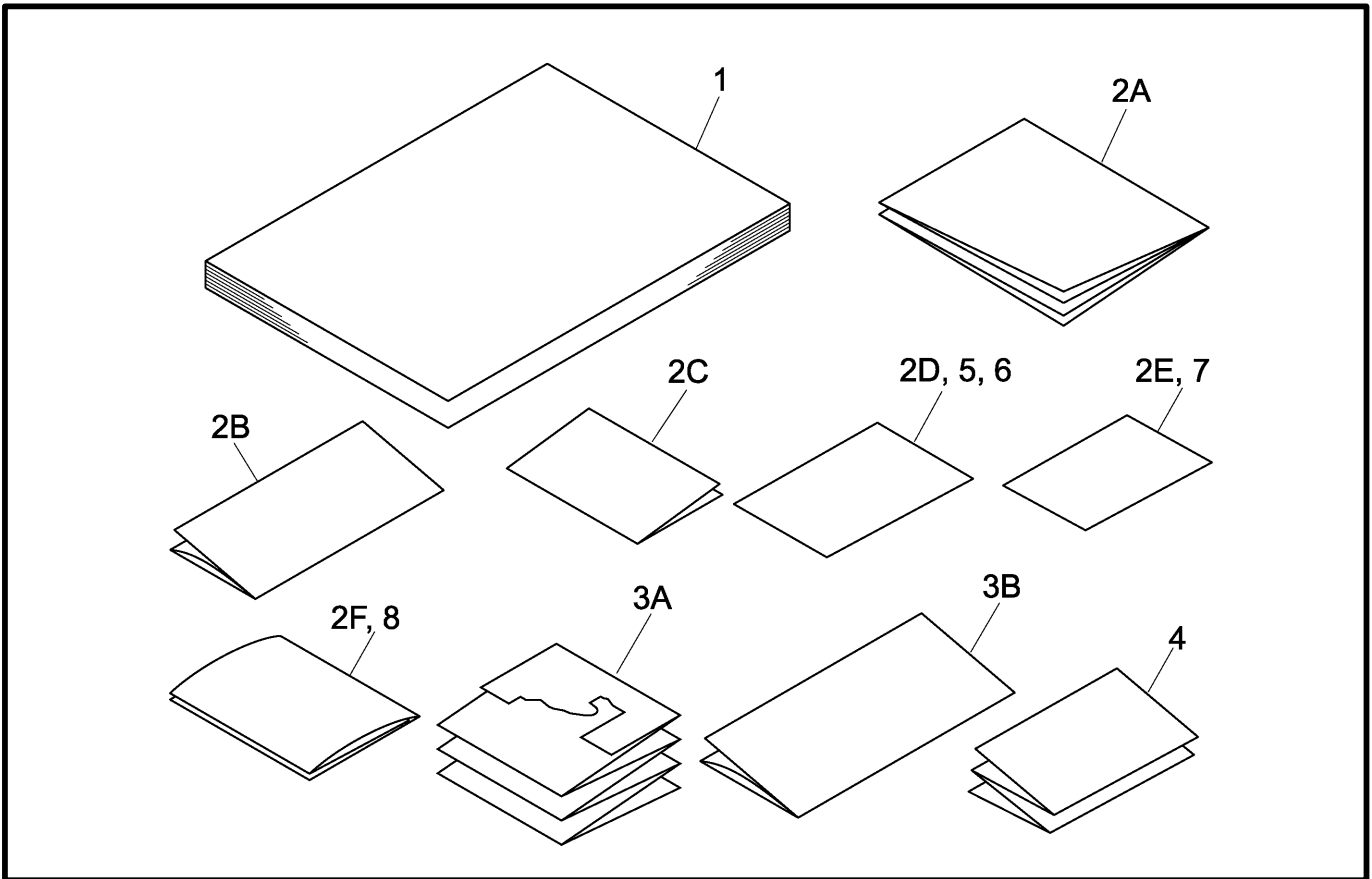
PtPn020058

REF.NO.	SYMBOL	CODE	Q'TY	DESCRIPTION	REMARKS
1		LA8292001	1	ADAPTER AD9000	R
2A		LA8339001	1	POWER SUPPLY CORD CEE (DEU/FRA/NLD/CHE/DNK/SWE /AUT/ITA/BEL/FIN/NOR/ESP/ZAF)	R
2B		LA8370001	1	POWER SUPPLY CORD BS (GBR/IRL)	R
2C		LN0028001	1	POWER SUPPLY CORD AUS (AUS)	ADD
3		LA3700001	1	USB I/F CABLE	R
4		LA8802001	1	CD-ROM 3600 ASSY EC	

MODEL PT-3600 (For Europe) 8V2-713-910

8 . PRINTED MATTER

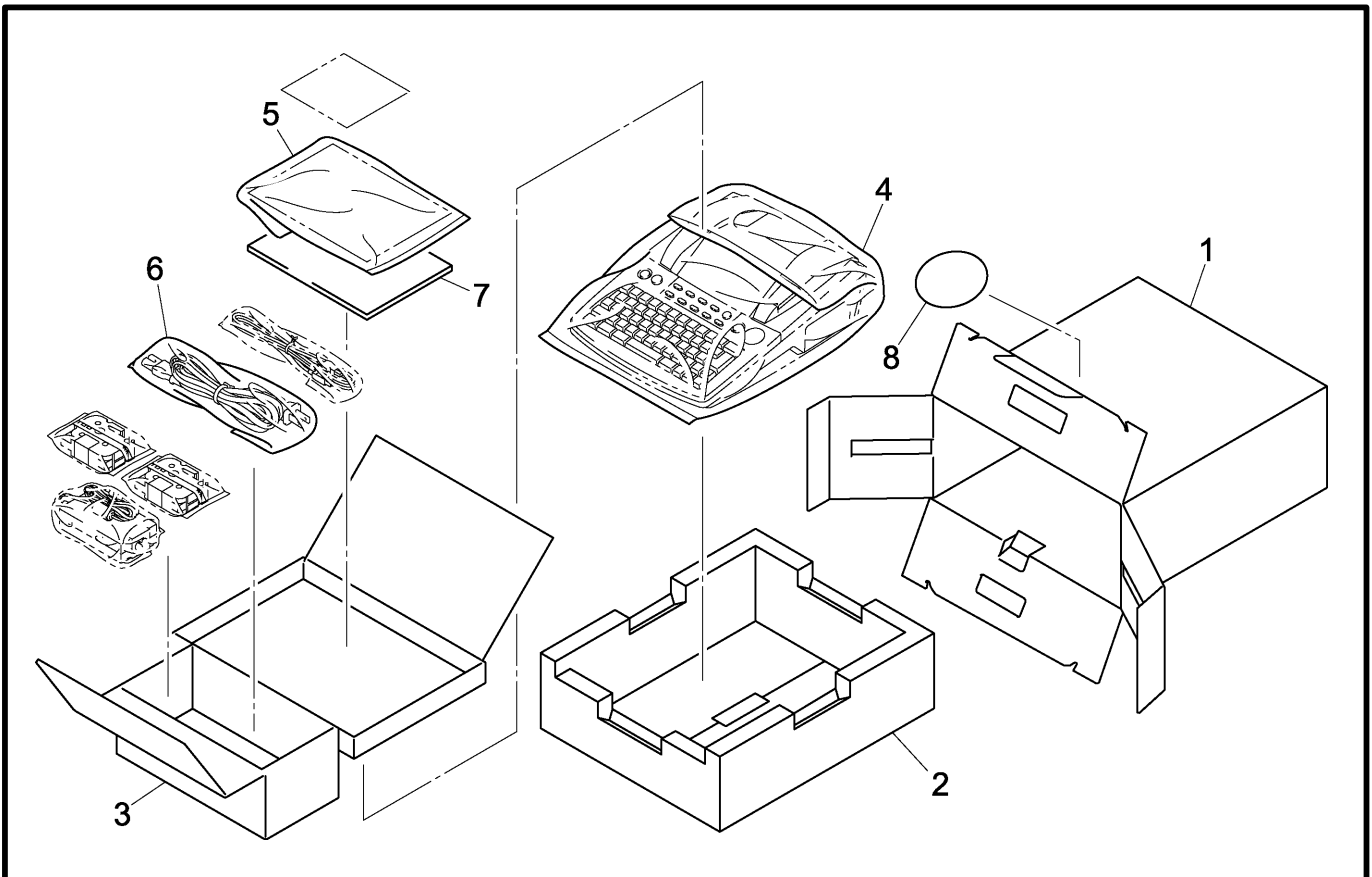
PtPn020058



MODEL PT-3600 (For Europe) 8V2-713-920

9 . PACKING MATERIALS

PtPn020054



MODEL PT-3600 (For Europe) 8V2-713-930

8 . PRINTED MATTER

PtPn020058

REF.NO.	SYMBOL	CODE	Q'TY	DESCRIPTION	REMARKS
1		LA8769001	1	USER'S MANUAL 3600,GERMAN (DEU/AUT)	R
1		LA8772001	1	USER'S MANUAL 3600,GBR.ENGLIS (GBR/IRL/FIN/ZAF/AUS)	R, ADD
1		LA8773001	1	USER'S MANUAL 3600,FRENCH (FRA)	R
1		LA8774001	1	USER'S MANUAL 3600,DUTCH (NLD/BEL)	R
1		LA8775001	1	USER'S MANUAL 3600,CHE.FRENCH (CHE/BEL)	R
1		LA8776001	1	USER'S MANUAL 3600,CHE.GERMAN (CHE)	R
1		LA8777001	1	USER'S MANUAL 3600,DANISH (DNK)	R
1		LA8778001	1	USER'S MANUAL 3600,SWEDISH (SWE)	R
1		LA8779001	1	USER'S MANUAL 3600,ITALIAN (ITA)	R
1		LA8781001	1	USER'S MANUAL 3600,NORWEGIAN (NOR)	R
1		LA8782001	1	USER'S MANUAL 3600,SPANISH (ESP)	R
2A	F	UH3851001	1	WARRANTY CARD EUR	
2B	A	UH3662001	1	WARRANTY CARD UK-A (GBR)	
2C		LE5115001	1	WARRANTY CARD SWE-A (SWE)	
2D	A	UH3663001	1	WARRANTY CARD UK-B (GBR)	
2E		UB3650001	1	WARRANTY CARD, FRENCH (FRA)	
2F		LA1757001	1	WARRANTY CARD, SPA (ESP)	
3A		UN4239001	1	TAPE CATALOG UK (EXCEPT AUS)	CHNG
3B		LA2895001	1	TAPE CATALOG, AUS CH (AUS)	ADD
4		LA8660001	1	LAMINATOR CATALOG (FRA)	
5	A	LA9340001	1	UNPACKING INSTRUCTION 3600	ADD
6		LN0026001	1	ACCESSORY ORDER LIST AUS (AUS)	ADD
7		LN0027001	1	K/B INSERTION AUS (AUS)	ADD
8		LN0007001	1	LEAFLETER (GBR)	ADD

MODEL PT-3600 (For Europe) 8V2-713-920

9 . PACKING MATERIALS

PtPn020058

REF.NO.	CODE	Q'TY	DESCRIPTION	REMARKS
1	LA8805001	1	CARTON 3600 EC	R
2	LA8295000	1	BODY FRAME 3600	R
3	LA8299001	1	ACCESSORIES CARTON	R
4	LA8560001	1	BAG, 350X640H (BODY)	
5	LA6867001	1	BAG, 215X360H (USER'S MANUAL)	
6	LA7882001	1	BAG, 130X350 (AC CODE)	
7	UN0958000	1	PAD 195X252 (DEU/GBR/FRA/IRL/NLD/DNK/SWE/AUT/ITA/FIN/NOR/ESP/ZAF/AUS)	R, ADD
8	LN0008001	1	STICKER (GBR)	ADD

MODEL PT-3600 (For Europe) 8V2-713-930

brother[®]

Nov., 2002
8V2043BE0
Printed in Japan